



US00D481236S

(12) **United States Design Patent**
Hunt

(10) **Patent No.:** **US D481,236 S**

(45) **Date of Patent:** **** Oct. 28, 2003**

- (54) **ROUND BASKET**
- (75) Inventor: **Jill M. Hunt**, Harvard, IL (US)
- (73) Assignee: **Moen Incorporated**, North Olmsted, OH (US)
- (**) Term: **14 Years**
- (21) Appl. No.: **29/172,348**
- (22) Filed: **Dec. 10, 2002**
- (51) **LOC (7) Cl.** **23-02**
- (52) **U.S. Cl.** **D6/525**
- (58) **Field of Search** D6/512-514, 567, D6/553, 524, 525; D7/619, 620; 211/13.1, 86.01, 87.01, 71.01, 74, 75; 248/309.1, 311.2, 312

- 5,761,753 A 6/1998 Talbert
- 5,865,412 A 2/1999 Mason
- 5,938,160 A 8/1999 Hartmann et al.
- D413,769 S 9/1999 Mason
- D423,858 S * 5/2000 Kiser D6/567

* cited by examiner

Primary Examiner—Brian N. Vinson
(74) *Attorney, Agent, or Firm*—Cook, Alex, McFarron, Manzo, Cummings & Mehler, Ltd.

(57) **CLAIM**

The ornamental design for a round basket, as shown and described.

DESCRIPTION

FIG. 1 is a perspective view of our new design for a round basket.
 FIG. 2 is a top plan view.
 FIG. 3 is a bottom plan view.
 FIG. 4 is a right side elevation view.
 FIG. 5 is a rear elevation view.
 FIG. 6 is a left side elevation view; and,
 FIG. 7 is a front elevation view.

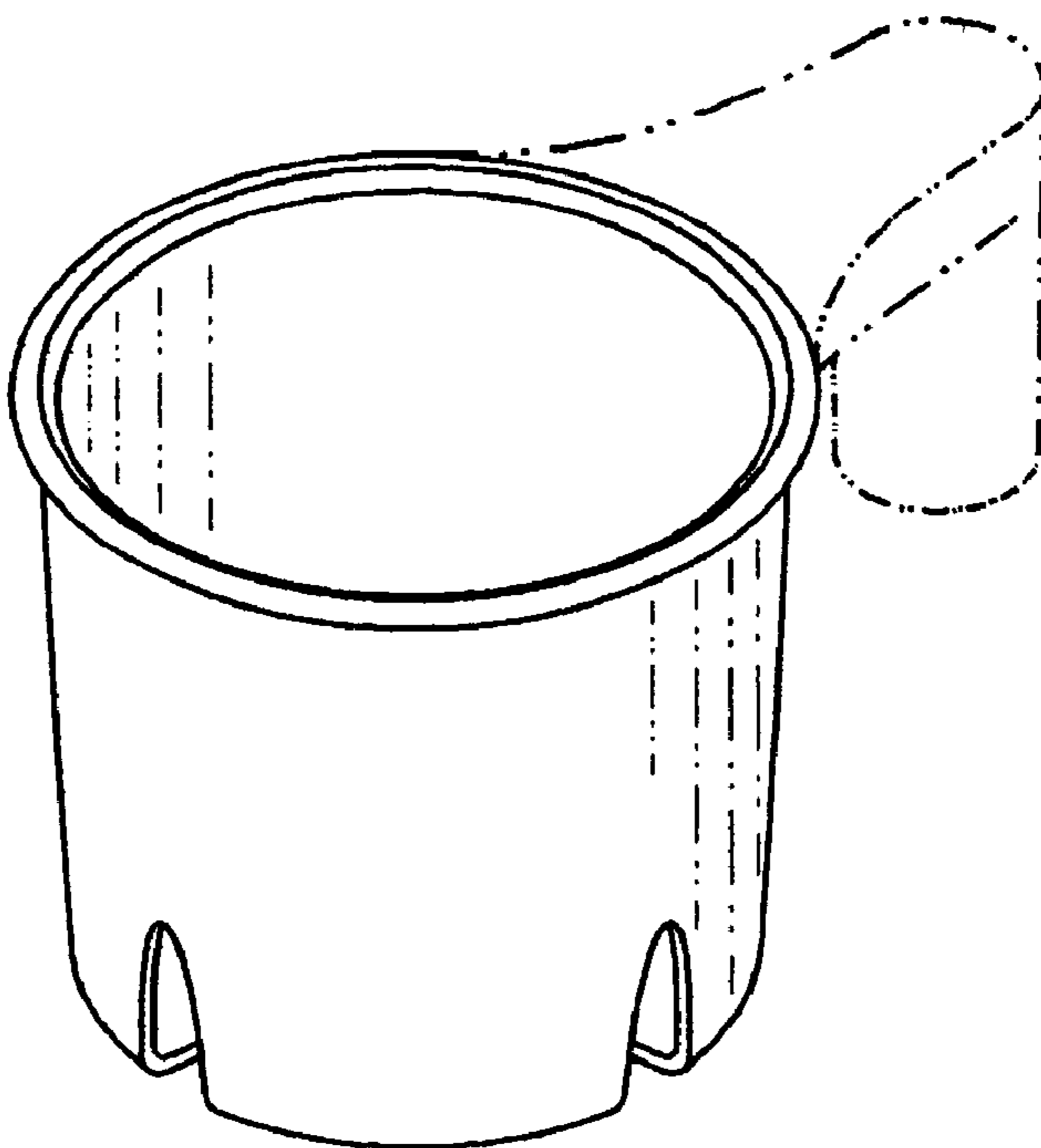
Portions of the structure shown in phantom lines (those having long dashes separated by two short dots) illustrate the environment of the invention and are not part of the claimed invention. The broken lines shown with evenly spaced dashes illustrate a boundary of the claimed invention. The boundary lines are not physically present in the device, but are shown to indicate that the bracket portion shown in phantom lines is not part of the claimed invention.

(56) **References Cited**

U.S. PATENT DOCUMENTS

- 3,269,683 A * 8/1966 Shinaver D7/620 X
- D265,152 S 6/1982 Bruno et al.
- D274,584 S 7/1984 Crouse
- 4,697,780 A * 10/1987 Wenkman et al. 248/311.2 X
- D295,937 S 5/1988 Corbett
- 4,844,400 A * 7/1989 Jasmagy, Jr. 248/311.2
- 4,854,468 A 8/1989 Dahlquist, II et al.
- 4,919,381 A 4/1990 Buist
- D317,982 S * 7/1991 Morales D7/620 X
- D325,495 S 4/1992 Rowles
- D340,622 S * 10/1993 Park et al. D7/620
- 5,356,107 A 10/1994 Sinohuiz
- D379,895 S 6/1997 Hampshire

1 Claim, 2 Drawing Sheets



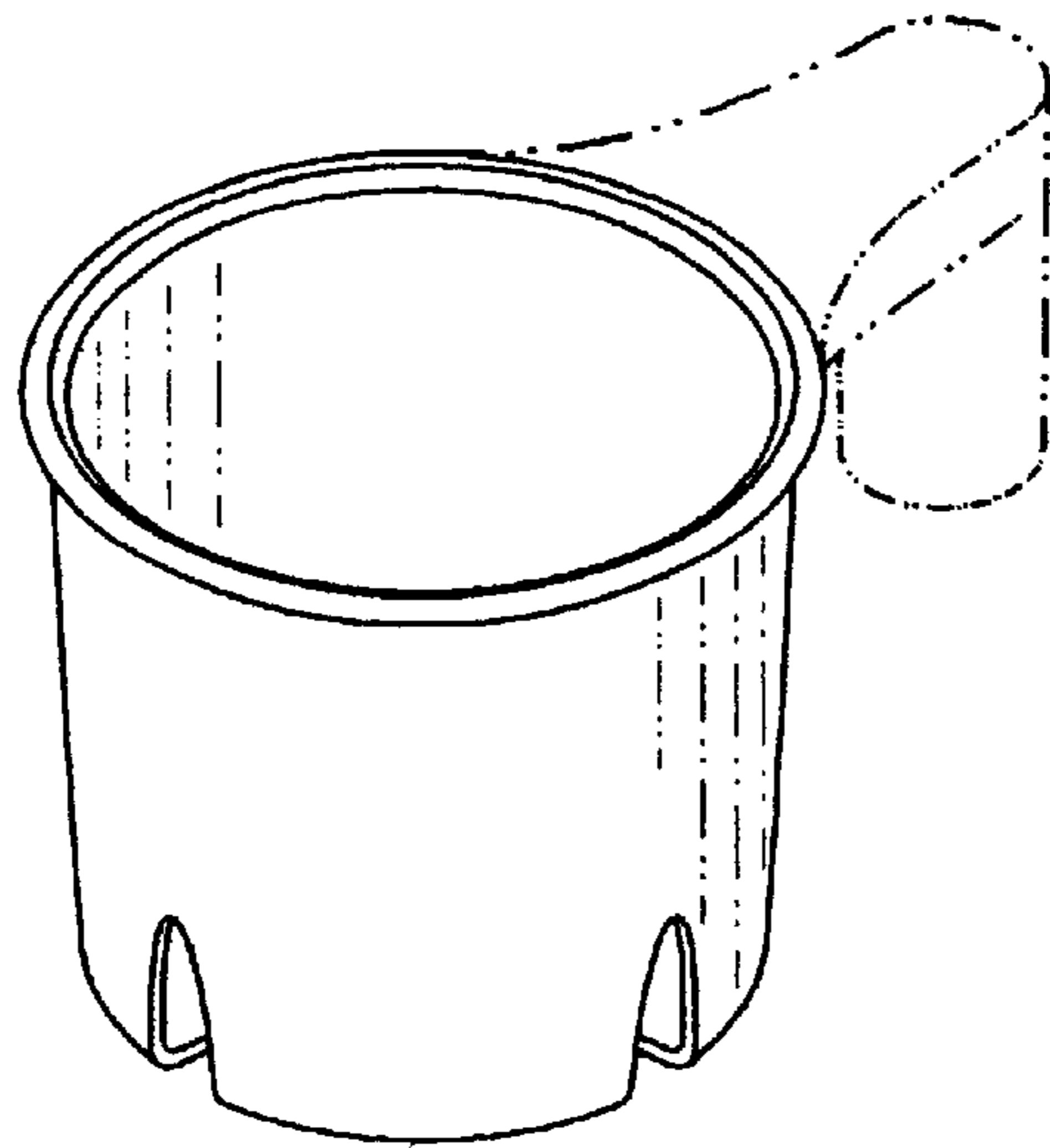


FIG. 1

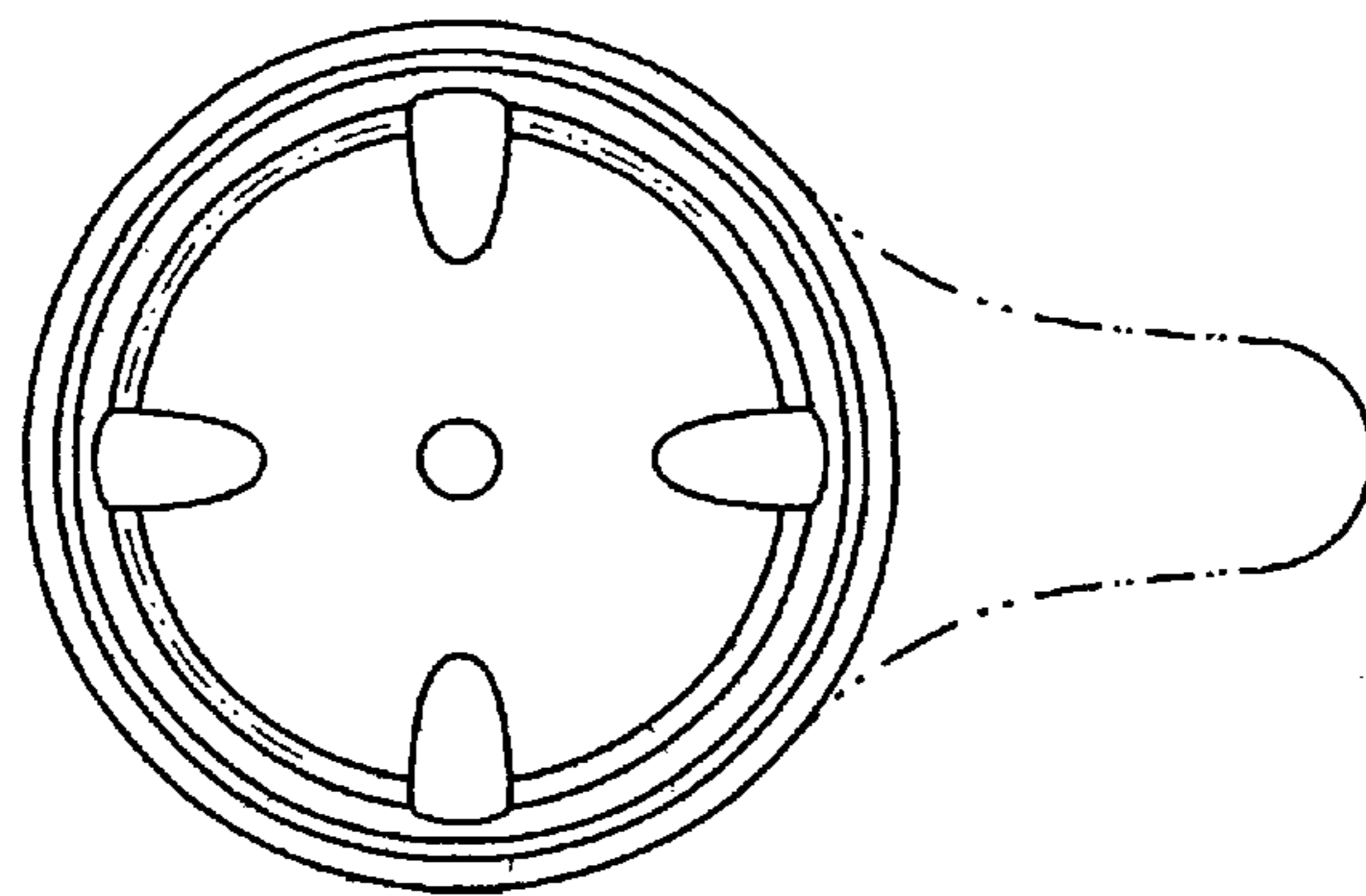


FIG. 2

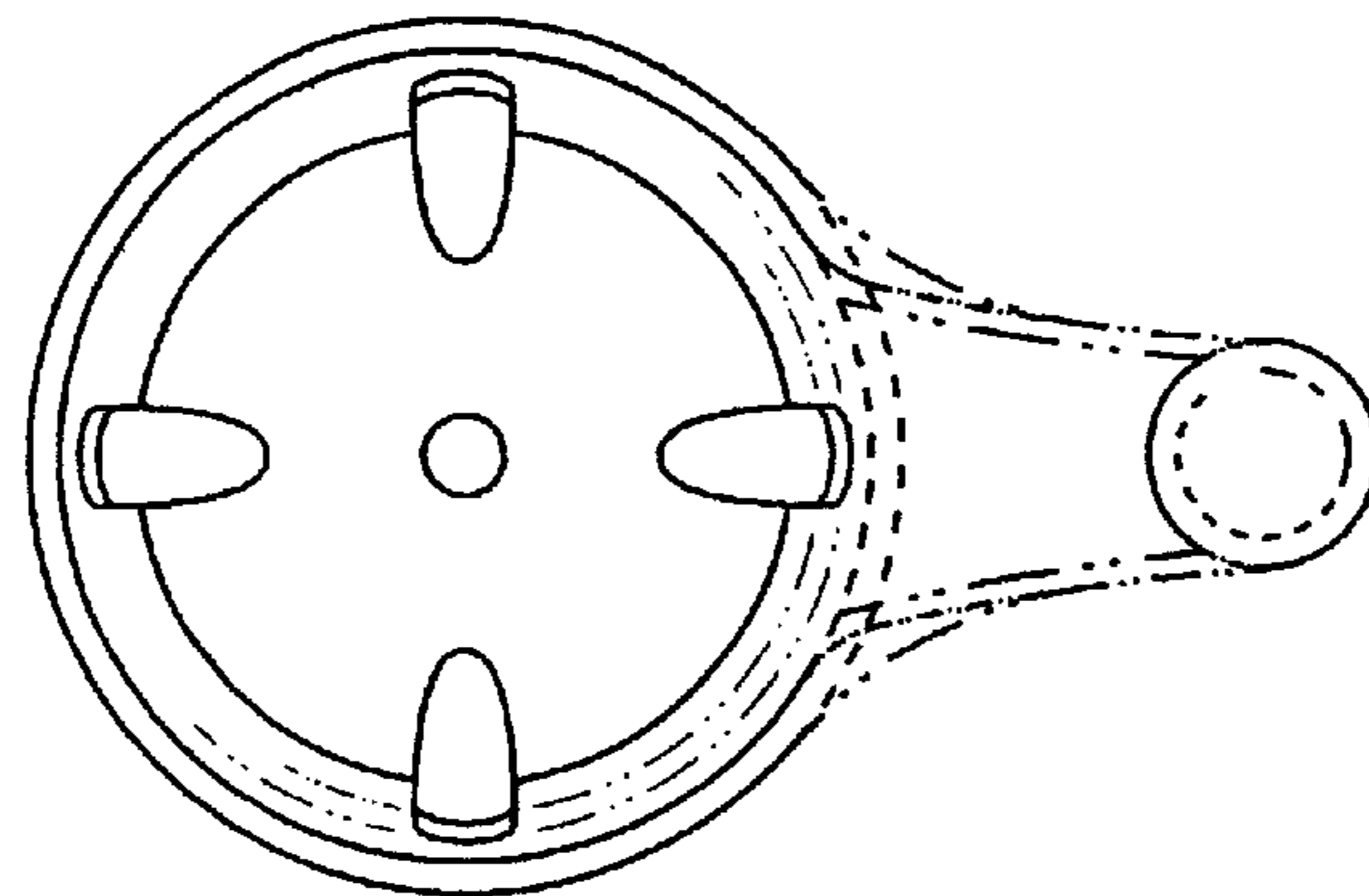


FIG. 3

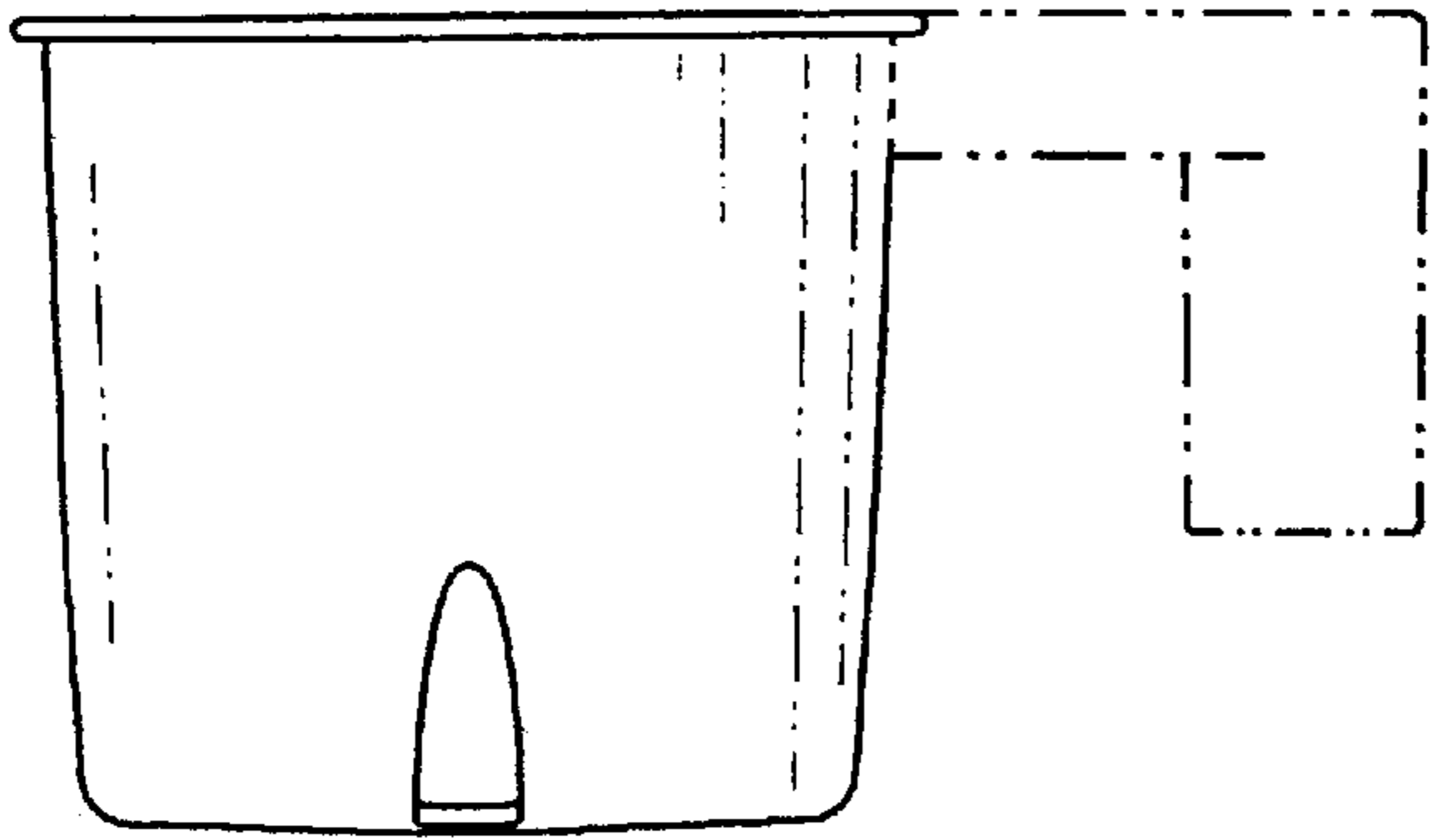


FIG. 4

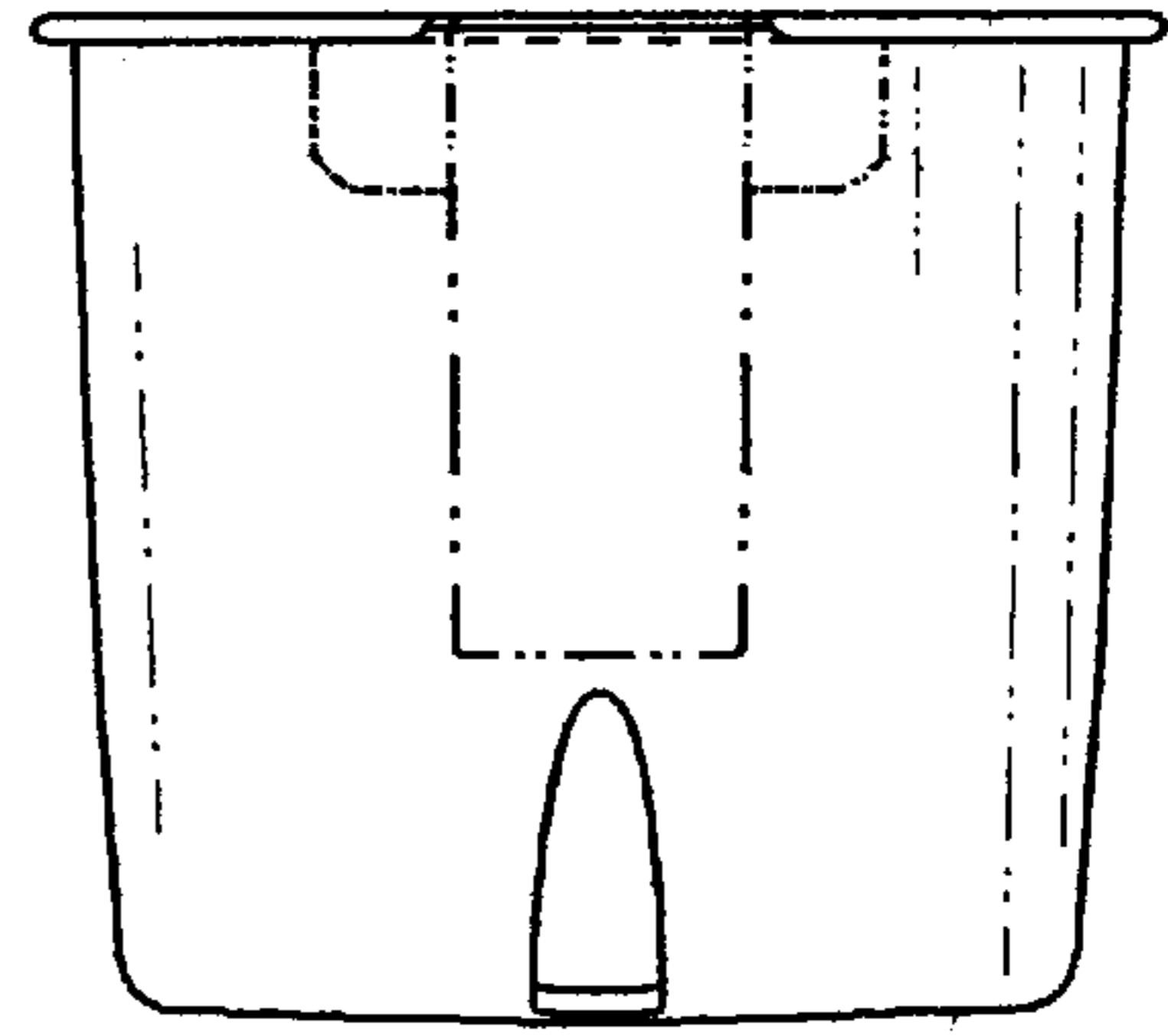


FIG. 5

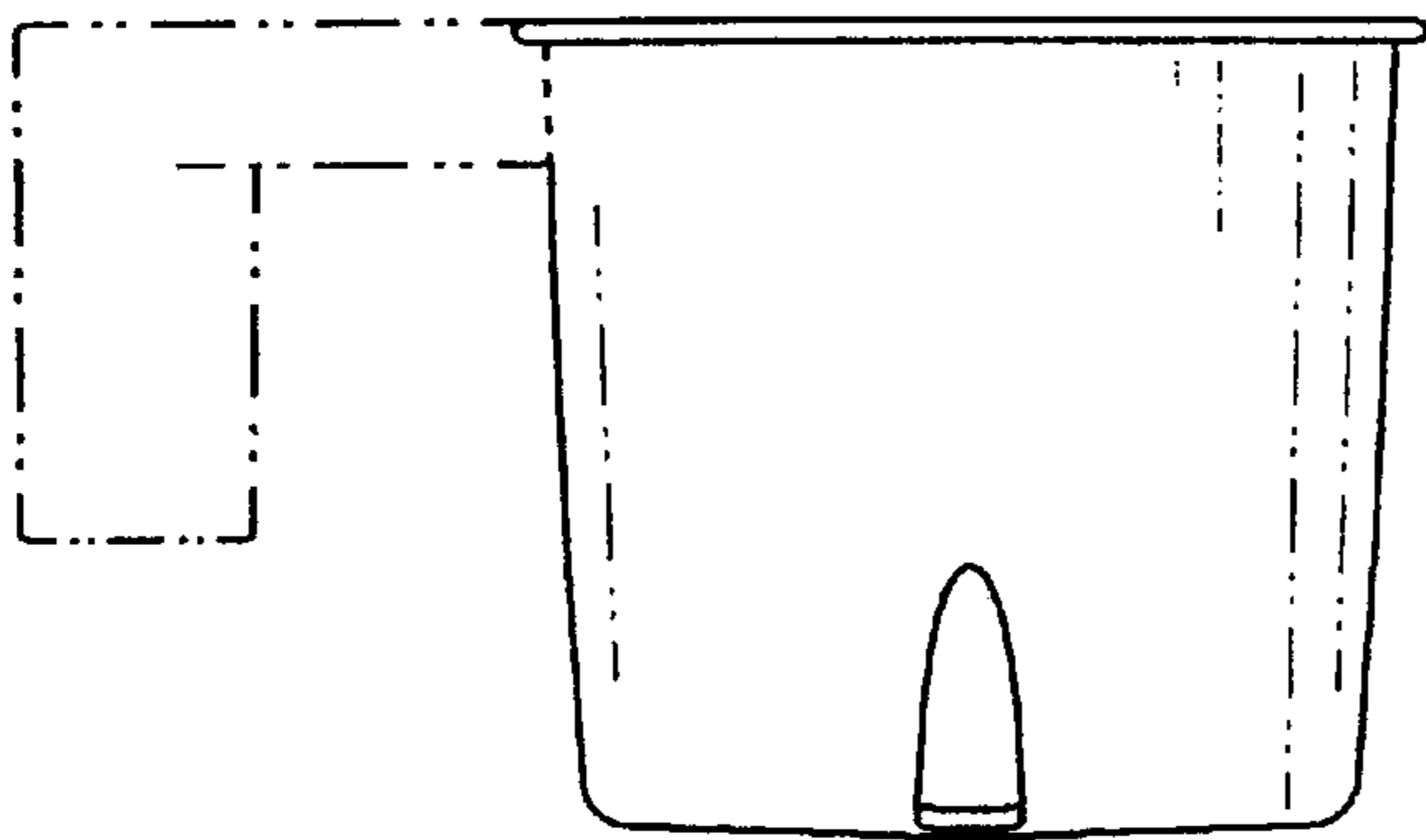


FIG. 6

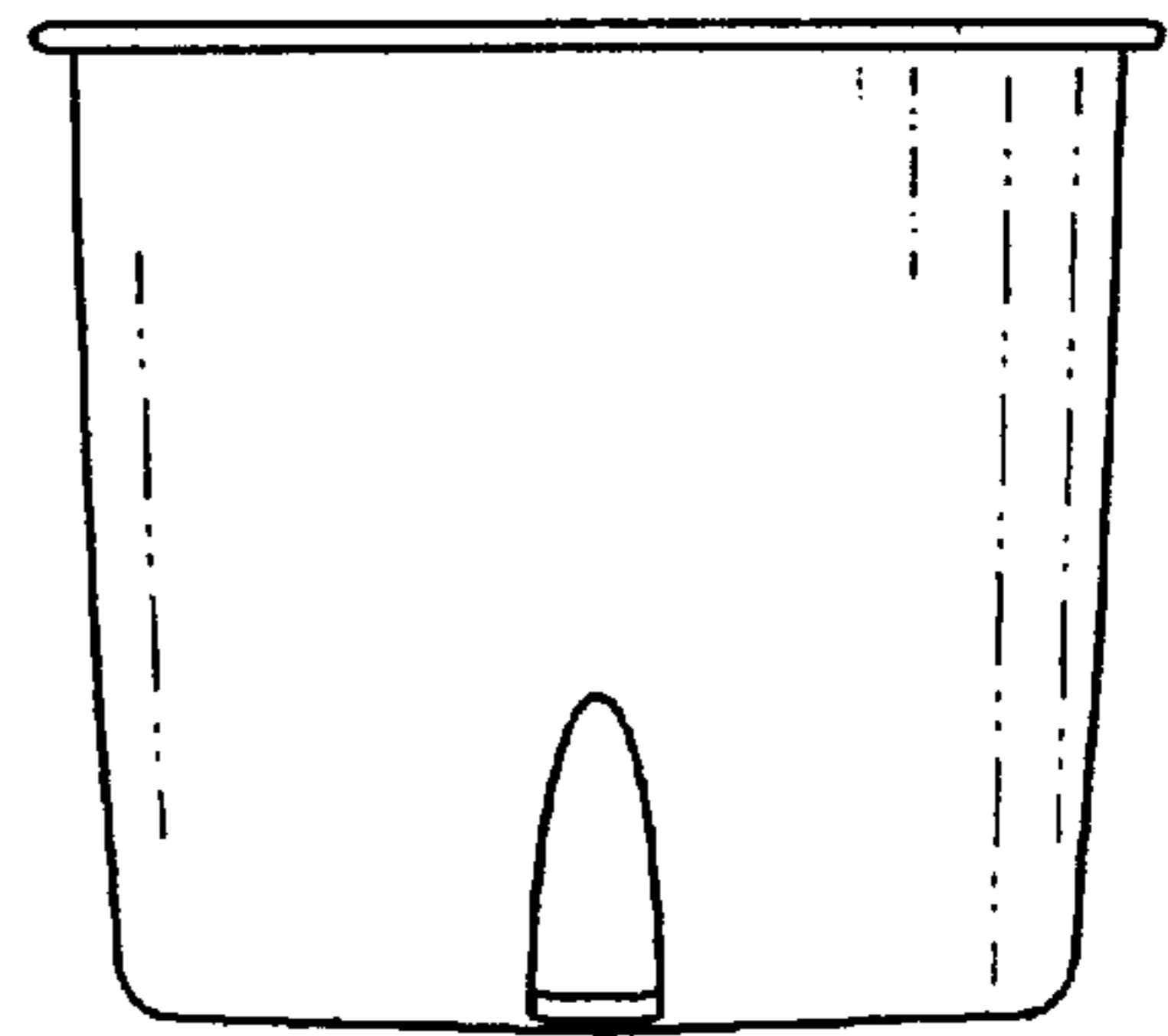


FIG. 7