



US00D481235S

(12) **United States Design Patent**  
**Gilbert**

(10) **Patent No.:** **US D481,235 S**

(45) **Date of Patent:** **\*\* Oct. 28, 2003**

(54) **GRAB BAR BRACKET**

(75) **Inventor:** **Christopher Jon Gilbert**, Moreland Hills, OH (US)

(73) **Assignee:** **Moen Incorporated**, North Olmsted, OH (US)

(\*\*) **Term:** **14 Years**

(21) **Appl. No.:** **29/166,456**

(22) **Filed:** **Aug. 28, 2002**

(51) **LOC (7) Cl.** ..... **23-02**

(52) **U.S. Cl.** ..... **D6/524**

(58) **Field of Search** ..... D6/546-50, 518, D6/522-24; D8/300, 303, 315-21, 354, 363, 373, 380; 108/28-29; 211/13.1, 16, 60.1, 86.01, 87.01, 88.01, 88.04, 100, 105.1-105.2, 119.003, 123, 126.1, 133.6, 134, 181.1, 182; 248/175, 176.1, 200, 214, 251, 302, 309.1; 16/110.1, 412, 415; 242/570, 590, 595-598; 206/389, 557

(56) **References Cited**

**U.S. PATENT DOCUMENTS**

D144,011 S	2/1946	Doren
D286,963 S	12/1986	Waghorn
D388,644 S	1/1998	Chen
D391,831 S	3/1998	Doughty et al.
D407,931 S	4/1999	Sweetman
D407,932 S	4/1999	Sweetman
D409,867 S	5/1999	Sweetman
D422,824 S	4/2000	Moore et al.

D435,749 S	1/2001	Ming-Hsiao	
D436,275 S	1/2001	Lai	
D439,139 S	3/2001	Kuo	
D451,324 S	12/2001	Lai	
D451,325 S	12/2001	Lai	
D451,738 S	12/2001	Yeh	
D452,400 S	12/2001	Chen	
D452,402 S	12/2001	Chen	
D463,936 S	* 10/2002	Chen	D6/550
D477,482 S	* 7/2003	Green	D6/524
D477,486 S	* 7/2003	Green	D6/550

\* cited by examiner

*Primary Examiner*—Brian N. Vinson

(74) *Attorney, Agent, or Firm*—Cook, Alex, McFarron, Manzo, Cummings & Mehler, Ltd.

(57) **CLAIM**

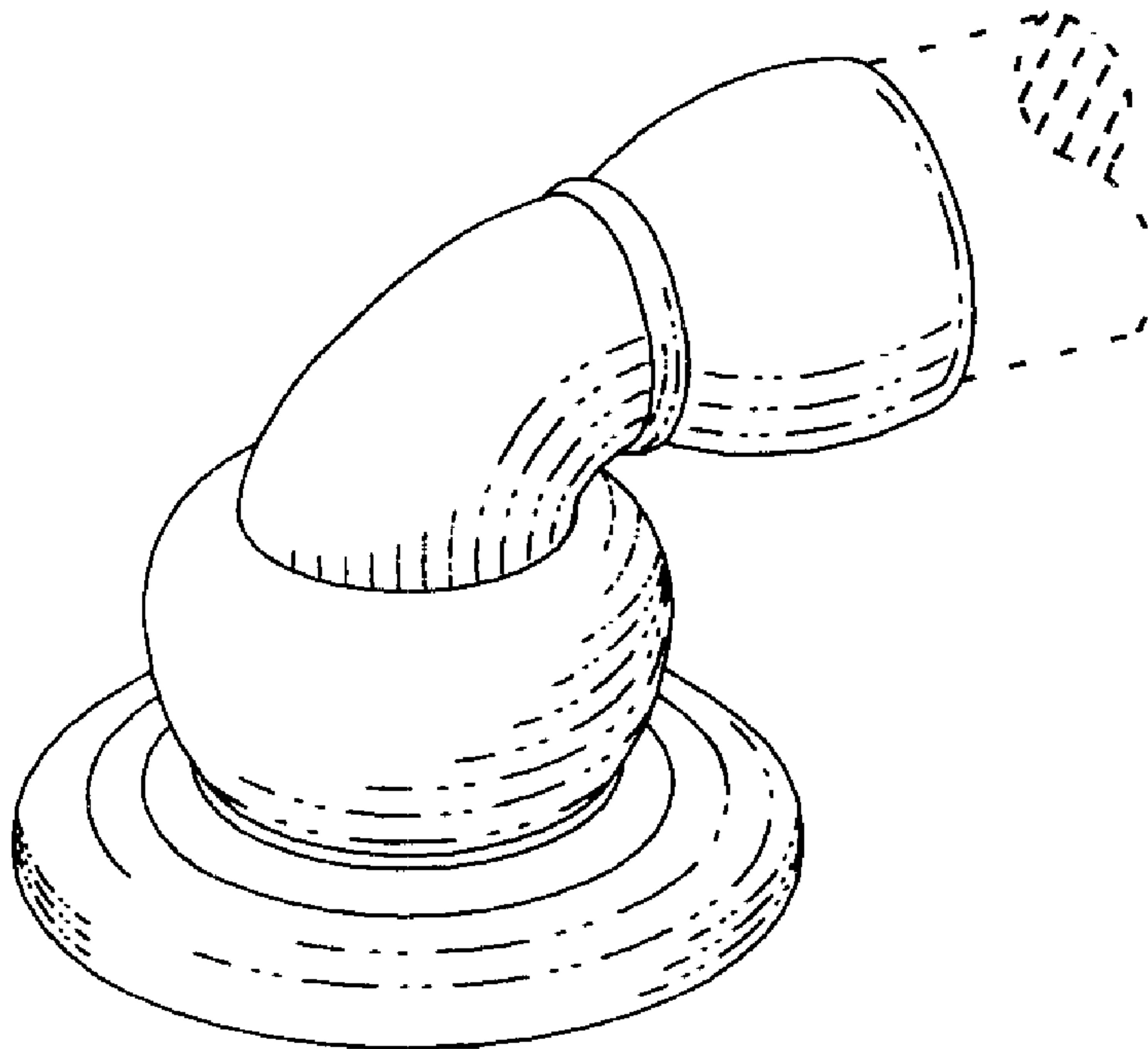
The ornamental design for a grab bar bracket, as shown and described.

**DESCRIPTION**

FIG. 1 is a top plan view of my new design for a grab bar bracket;  
FIG. 2 is a front elevation view;  
FIG. 3 is a bottom plan view;  
FIG. 4 is a rear elevation view;  
FIG. 5 is a perspective view;  
FIG. 6 is a right side elevation view; and,  
FIG. 7 is a left side elevation view.

The fragmentary broken-line disclosure of a bar in the views is for illustrative purposes only and forms no part of the claimed design.

**1 Claim, 1 Drawing Sheet**



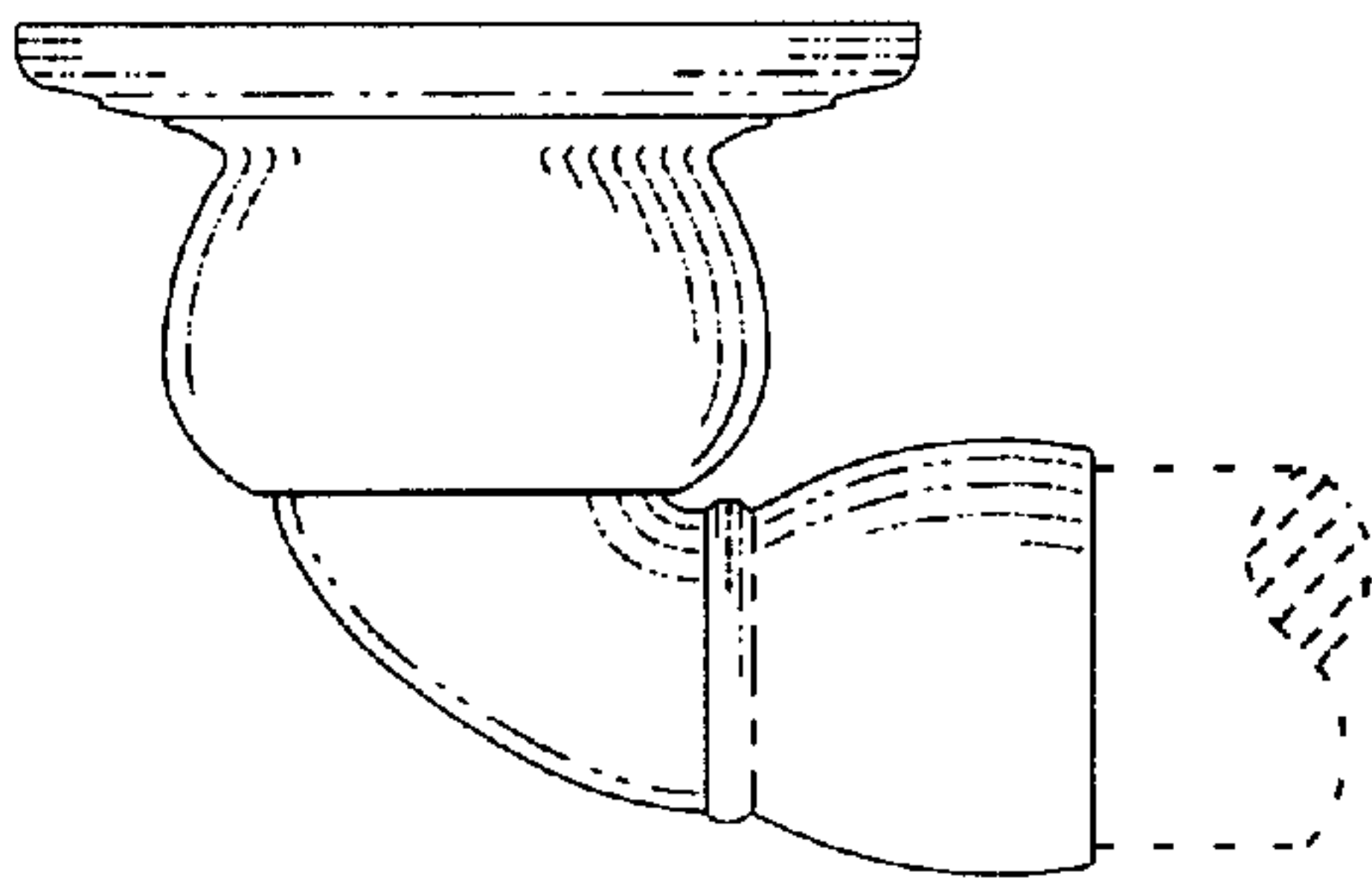


FIG. 1

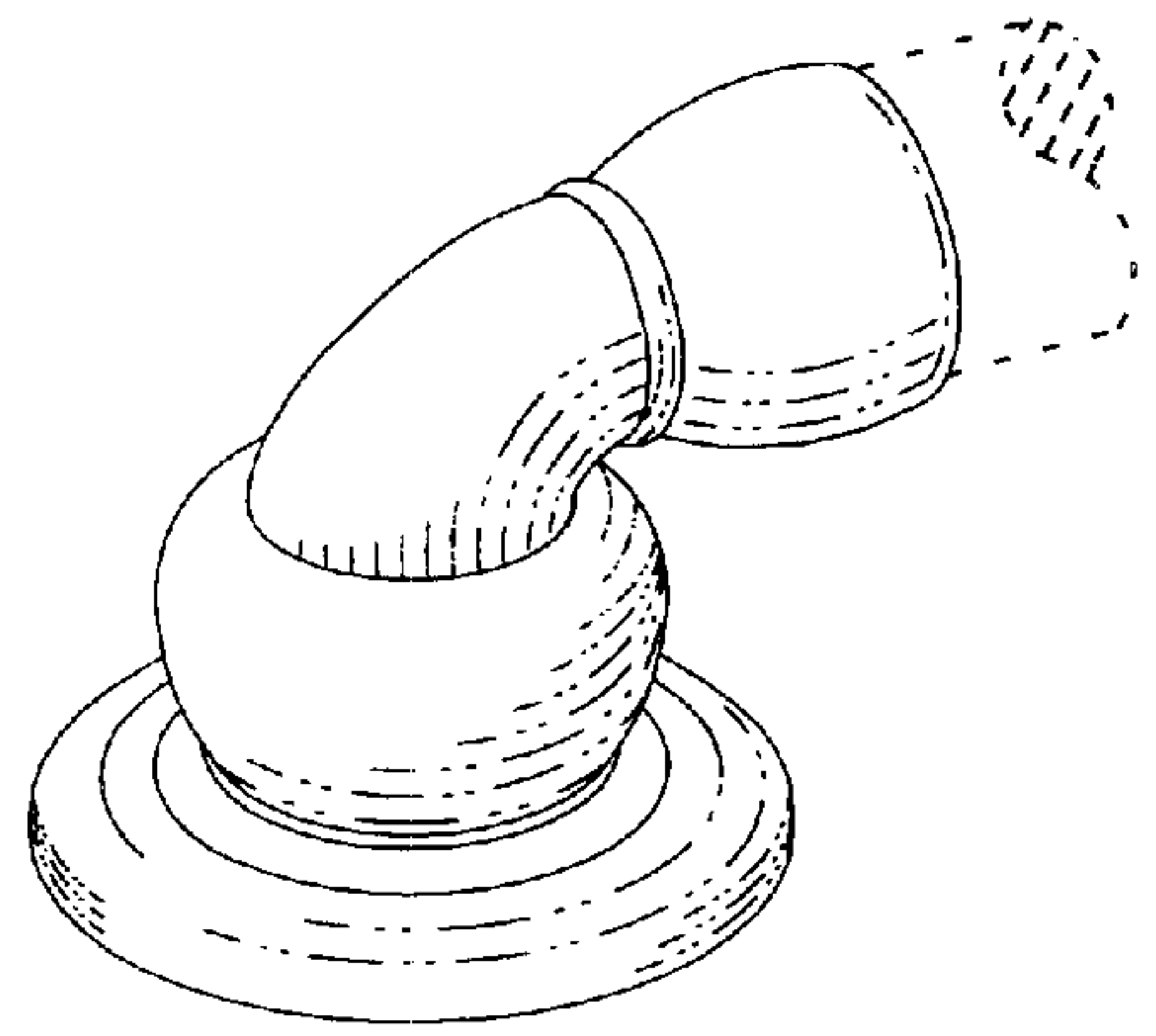


FIG. 5

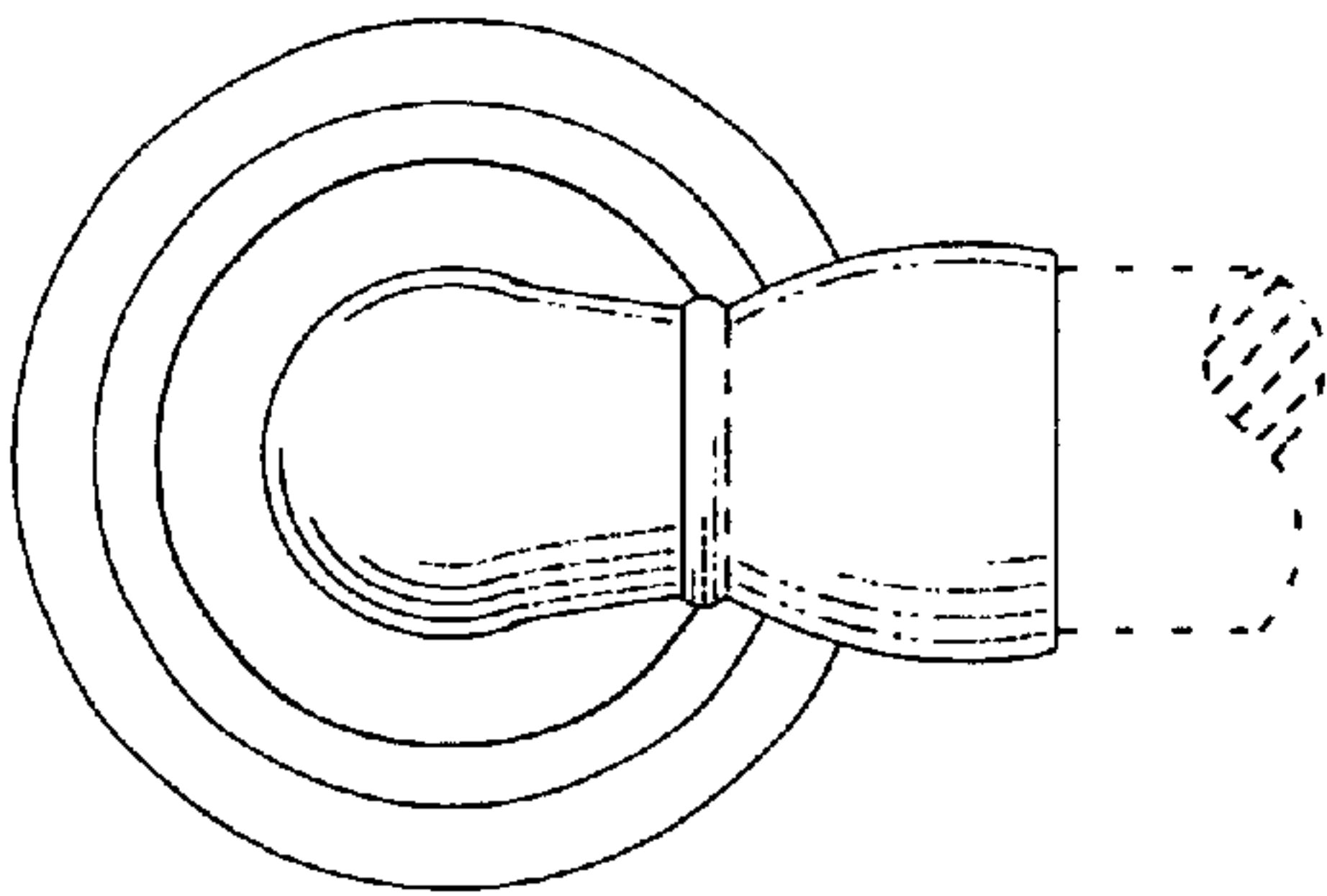


FIG. 2

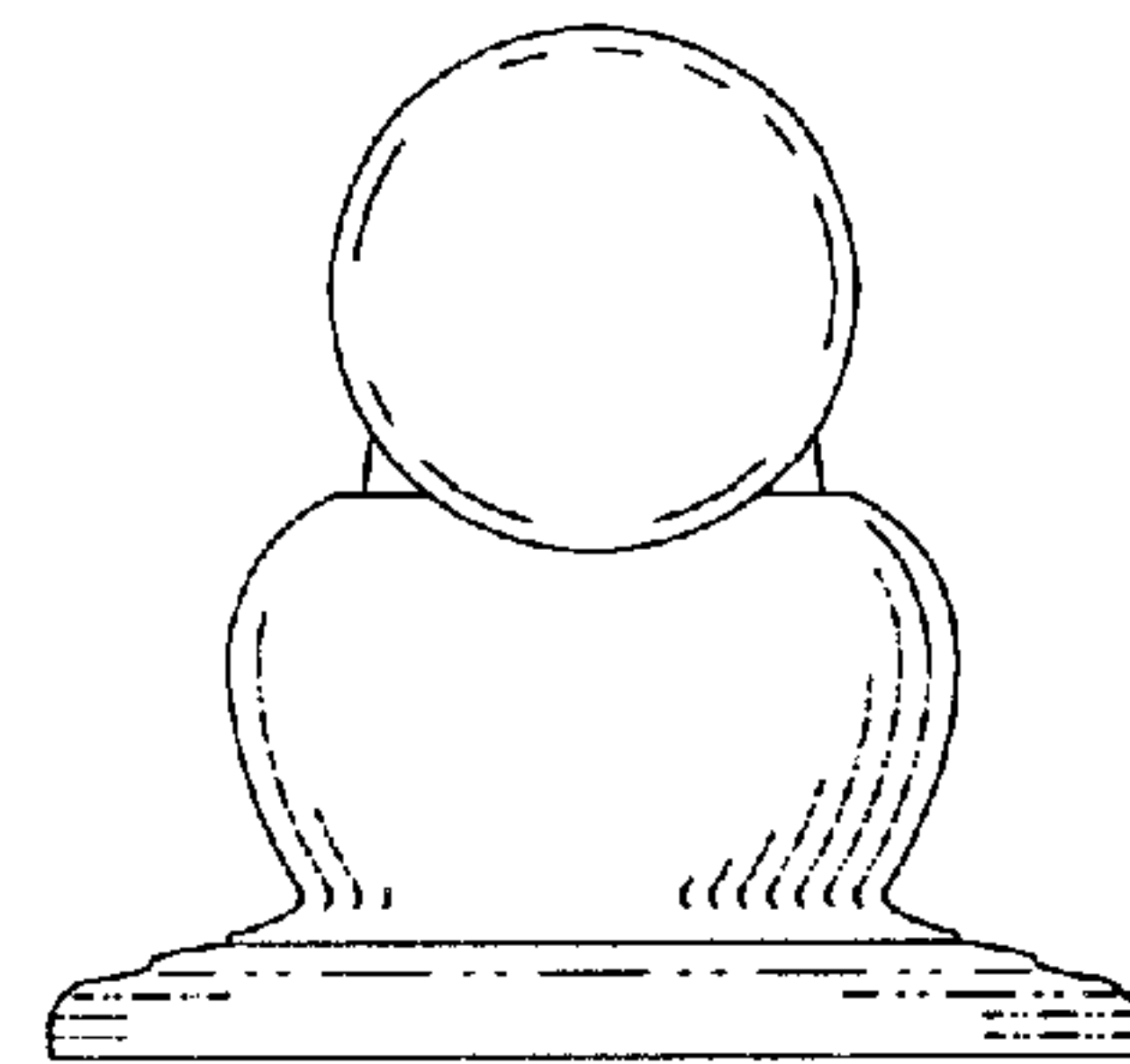


FIG. 6

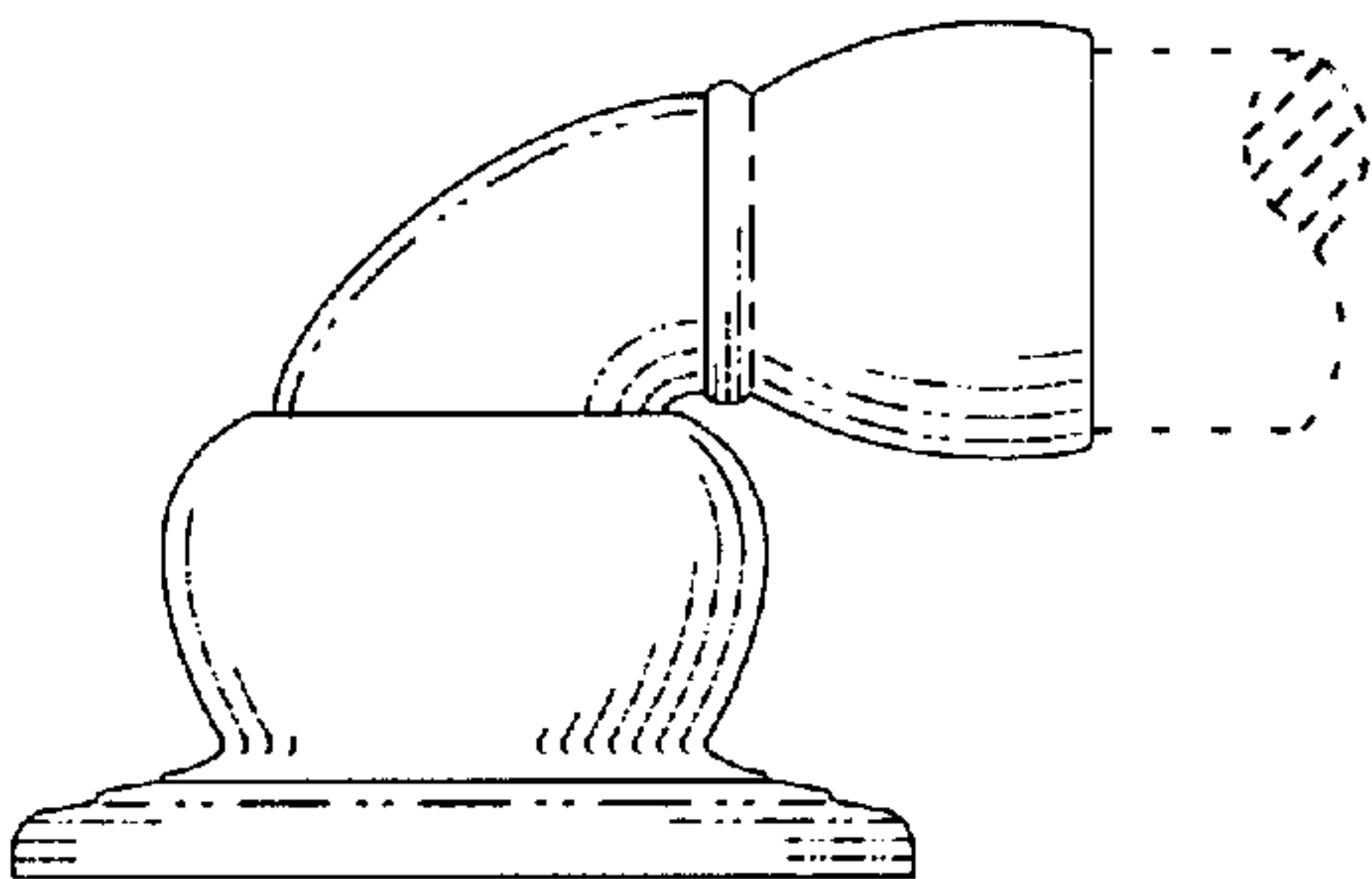


FIG. 3

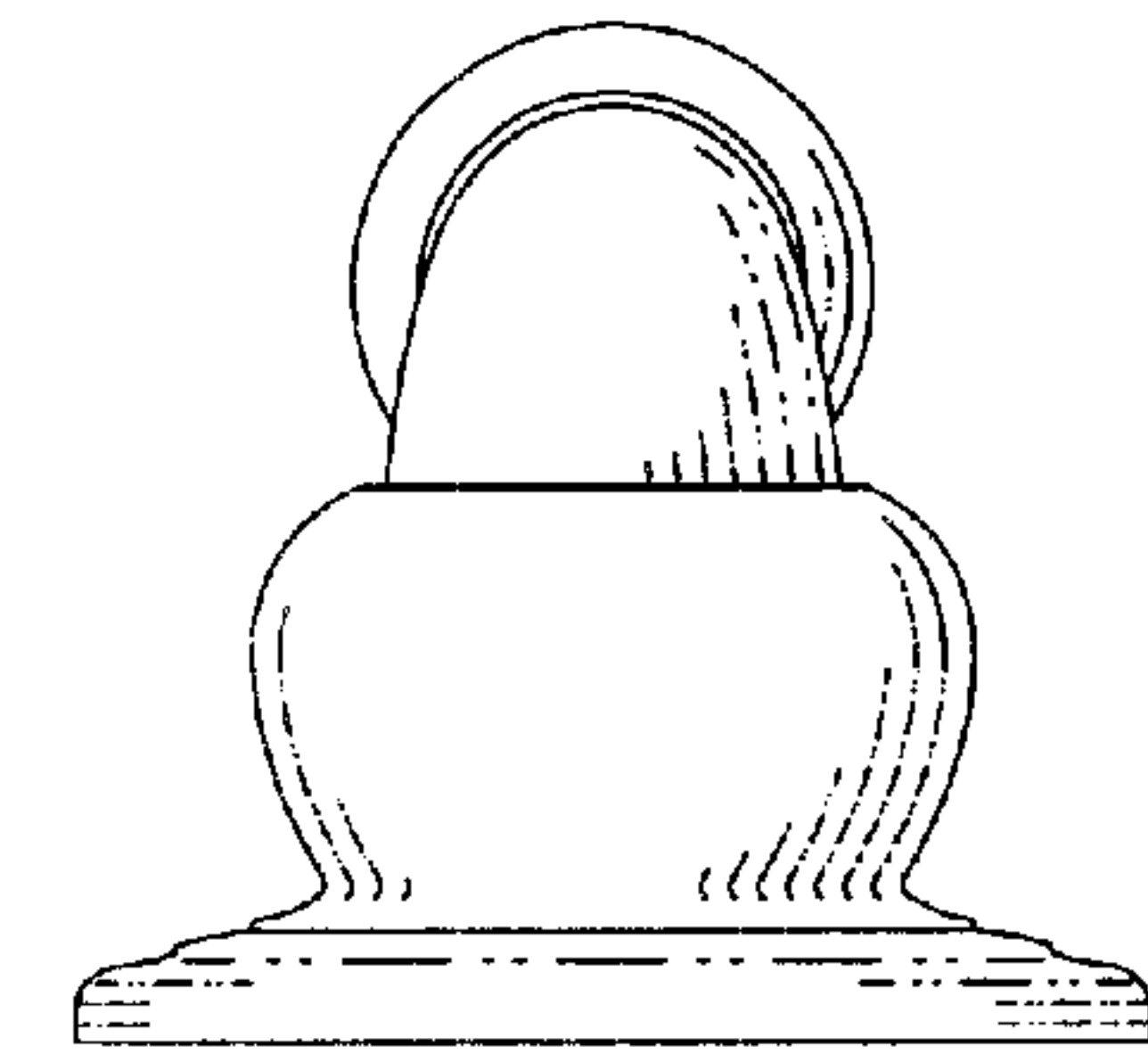


FIG. 7

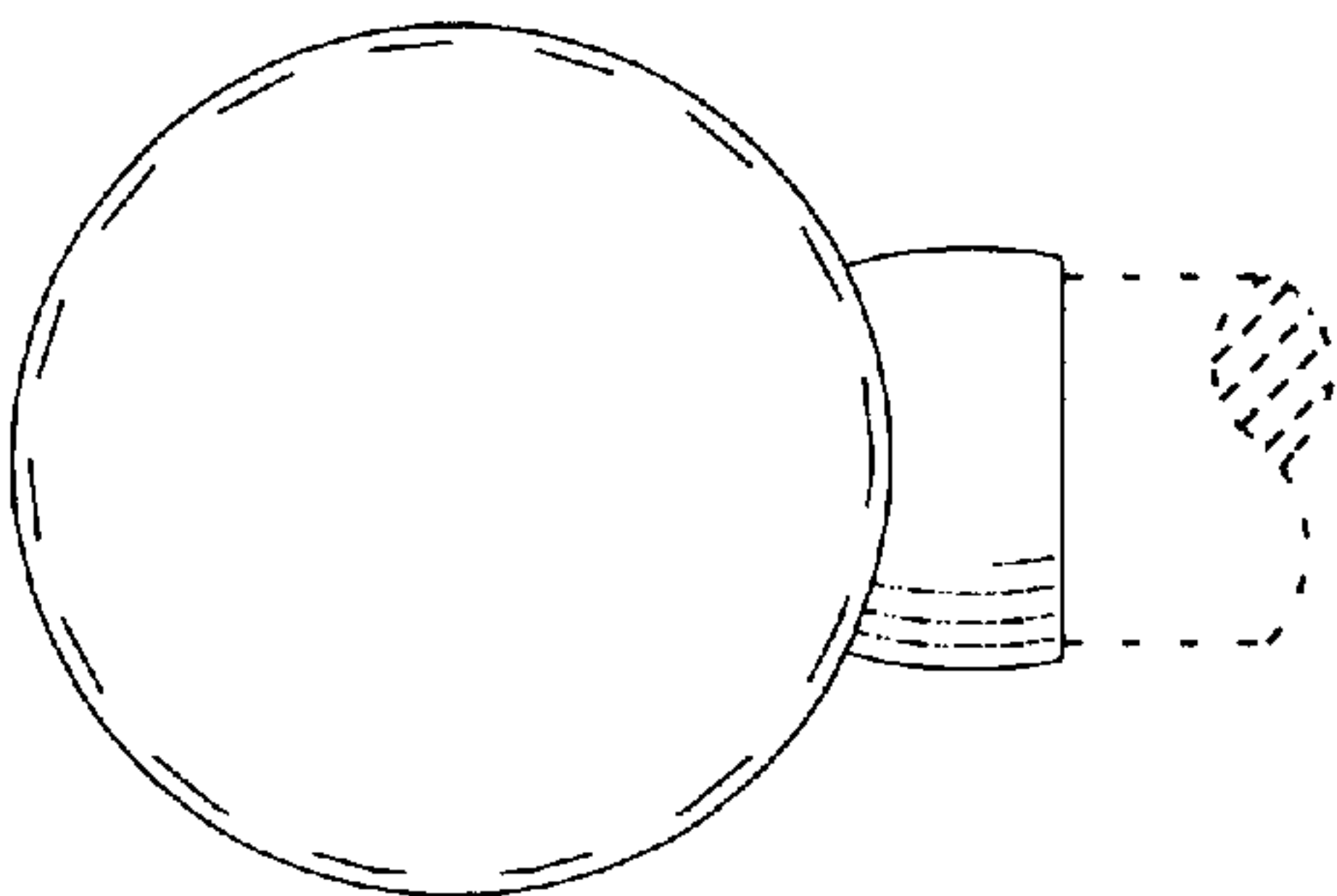


FIG. 4