



US00D481231S

(12) **United States Design Patent**
True

(10) **Patent No.:** **US D481,231 S**

(45) **Date of Patent:** **** Oct. 28, 2003**

(54) **COMBINATION PILLOW BACK AND SEAT FOR A CHAIR**

D454,014 S * 3/2002 Su D6/500
D463,173 S * 9/2002 Chi D6/500
D471,728 S * 3/2003 Tseng D6/366

(75) Inventor: **Alan L. True**, Newport Beach, CA (US)

* cited by examiner

(73) Assignee: **True Seating Concepts, LLC (MU)**

Primary Examiner—Gary D. Watson

(74) *Attorney, Agent, or Firm*—Morland C. Fischer

(**) Term: **14 Years**

(57) **CLAIM**

(21) Appl. No.: **29/175,030**

The ornamental design for a combination pillow back and seat for a chair, as shown and described.

(22) Filed: **Jan. 30, 2003**

DESCRIPTION

(51) **LOC (7) Cl.** **06-06**

(52) **U.S. Cl.** **D6/500; D6/366**

(58) **Field of Search** D6/334, 364, 365,
D6/366, 367, 500, 501, 502; 297/411.2,
411.28

FIG. 1 is a perspective view showing the front, top and the left side of a combination pillow back and seat for a chair which forms my new design, the broken lines of other parts of a chair and a ground line in this and/or other figures being for illustrative purposes only and forming no part of my design;

(56) **References Cited**

U.S. PATENT DOCUMENTS

D427,793 S * 7/2000 Groulx et al. D6/366
D437,131 S * 2/2001 Tseng D6/366
D446,410 S * 8/2001 Chen D6/500
D451,718 S * 12/2001 Tseng D6/500

FIG. 2 is a right side elevational view thereof;
FIG. 3 is a front elevational view thereof;
FIG. 4 is a left side elevational view thereof;
FIG. 5 is a rear elevational view thereof; and,
FIG. 6 is a top plan view thereof.

1 Claim, 6 Drawing Sheets



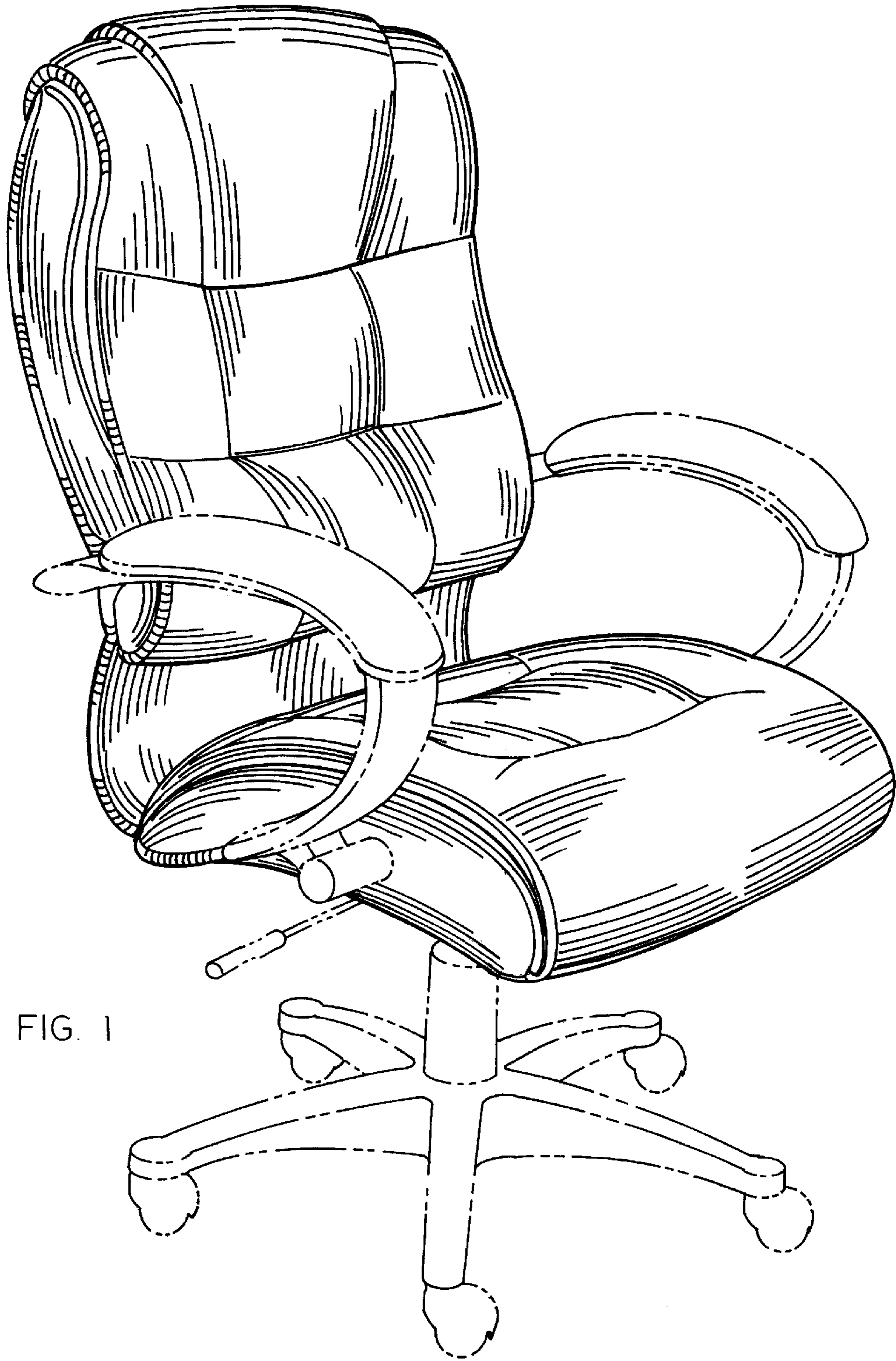


FIG. 1

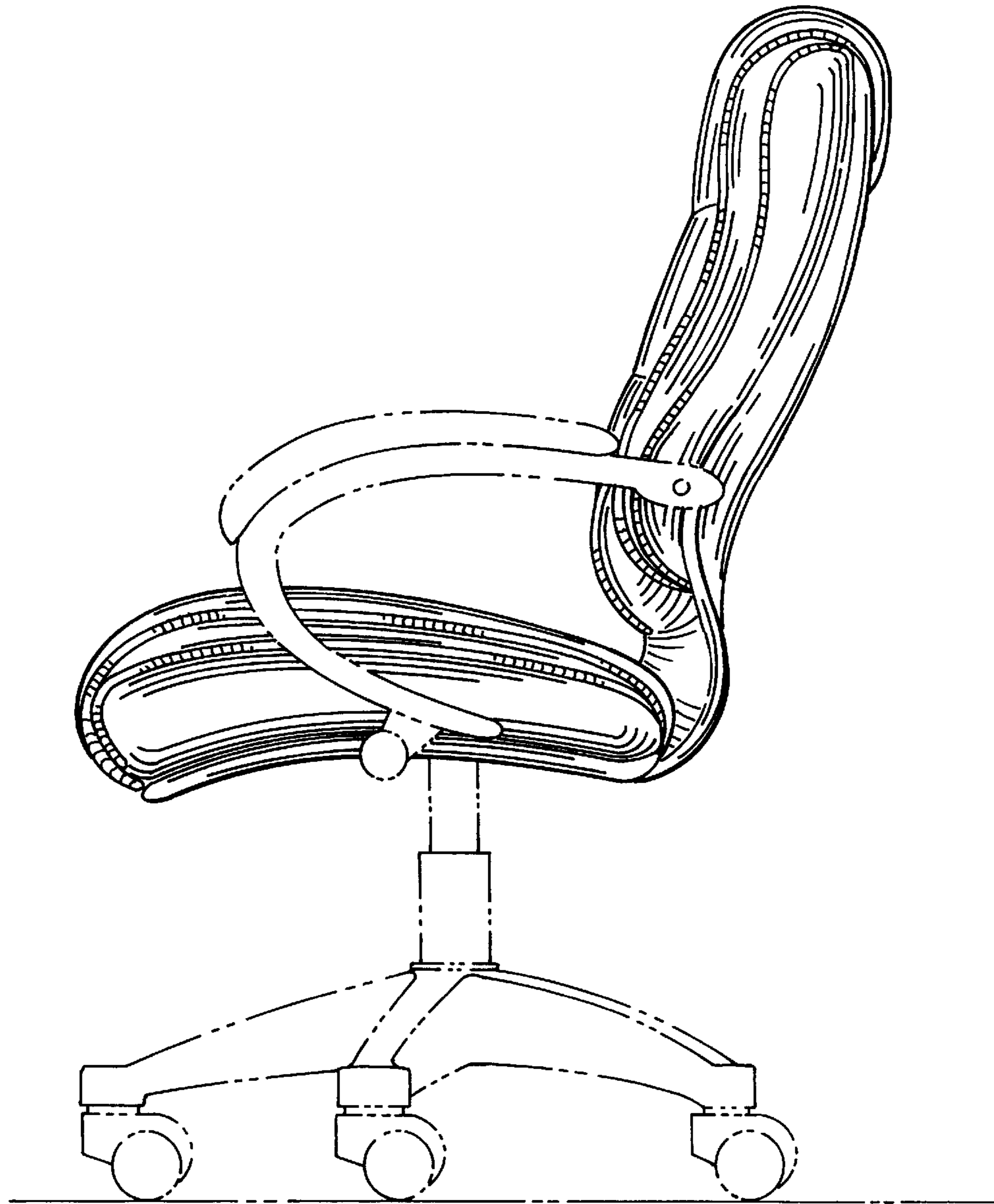


FIG. 2

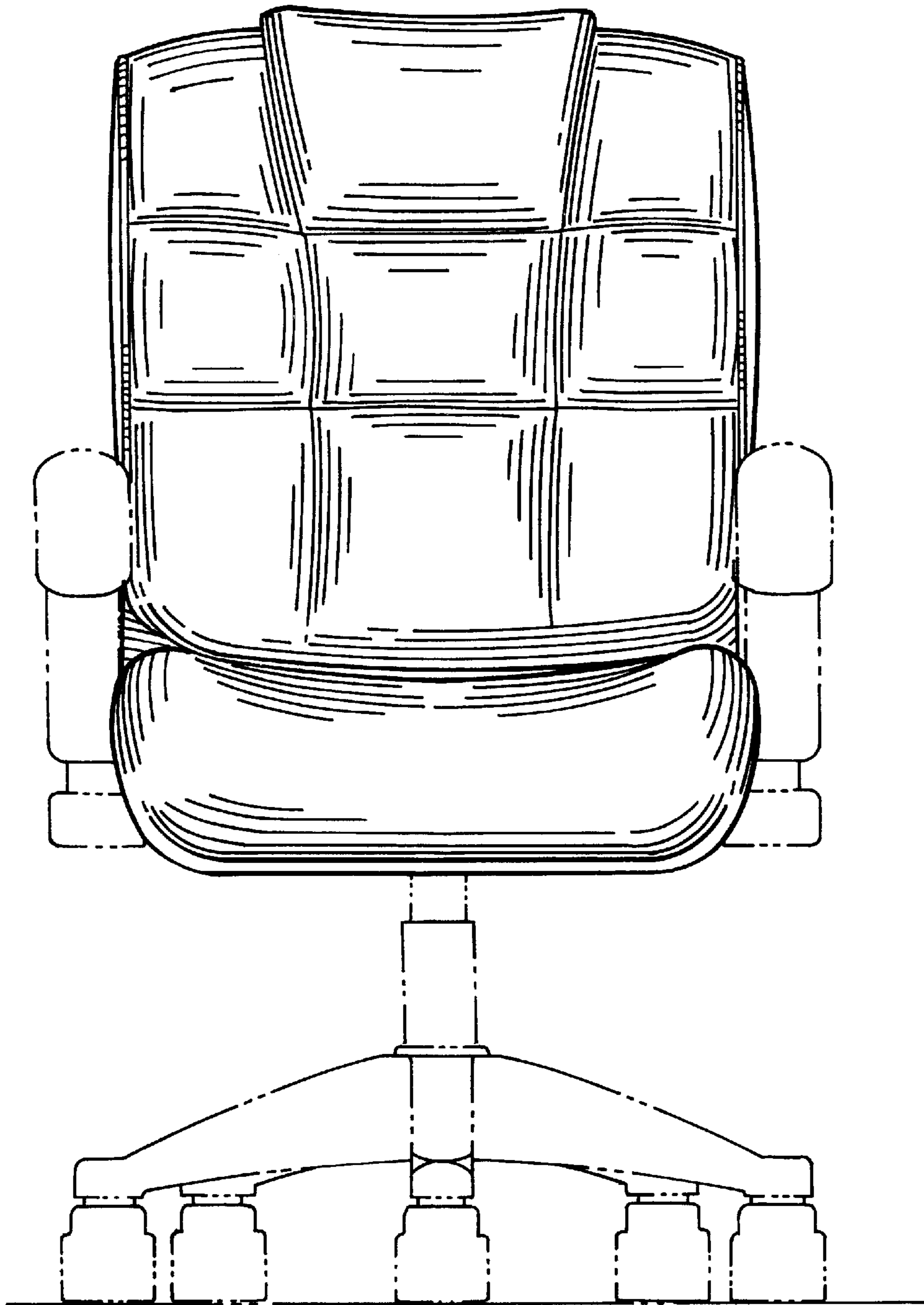


FIG. 3

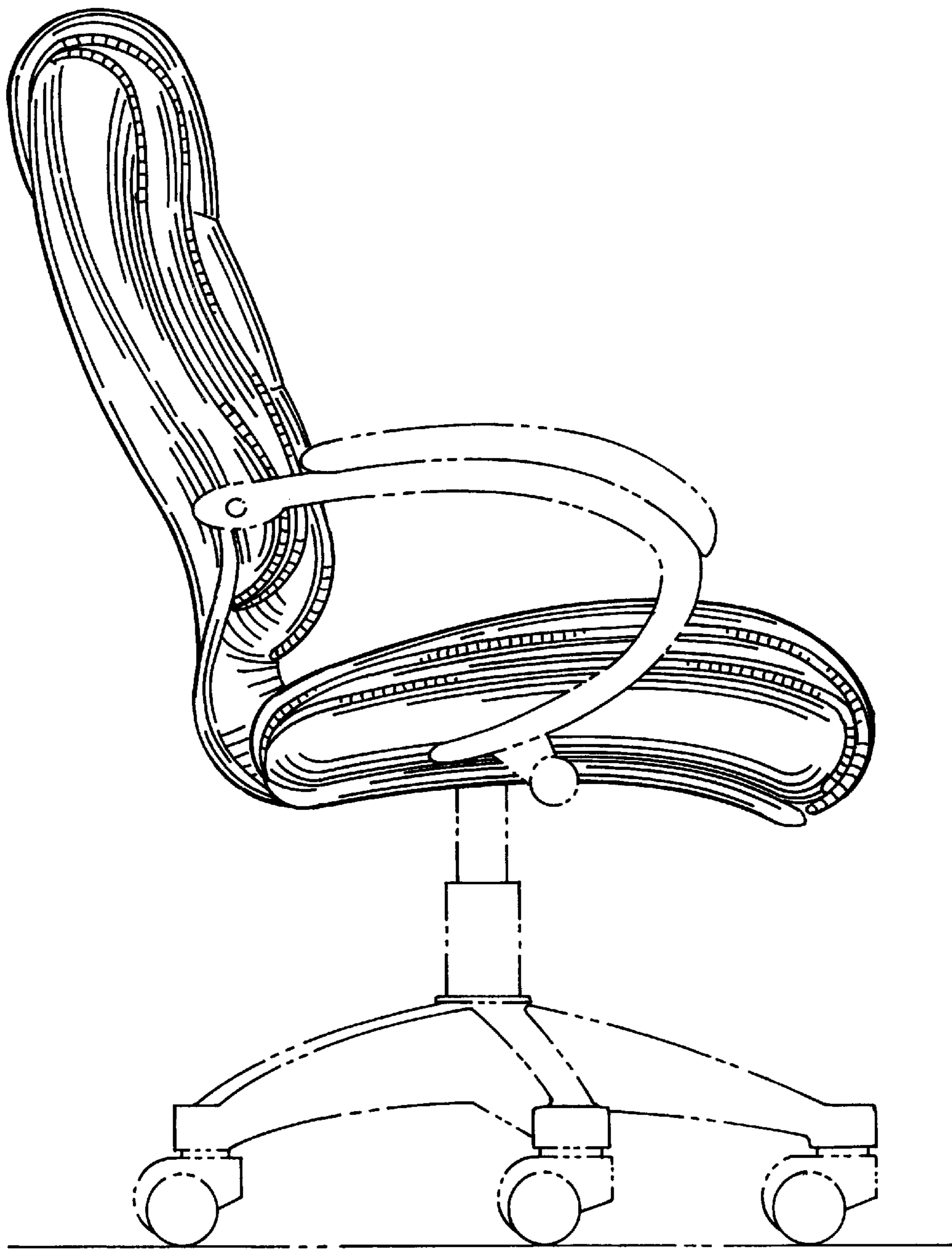


FIG. 4

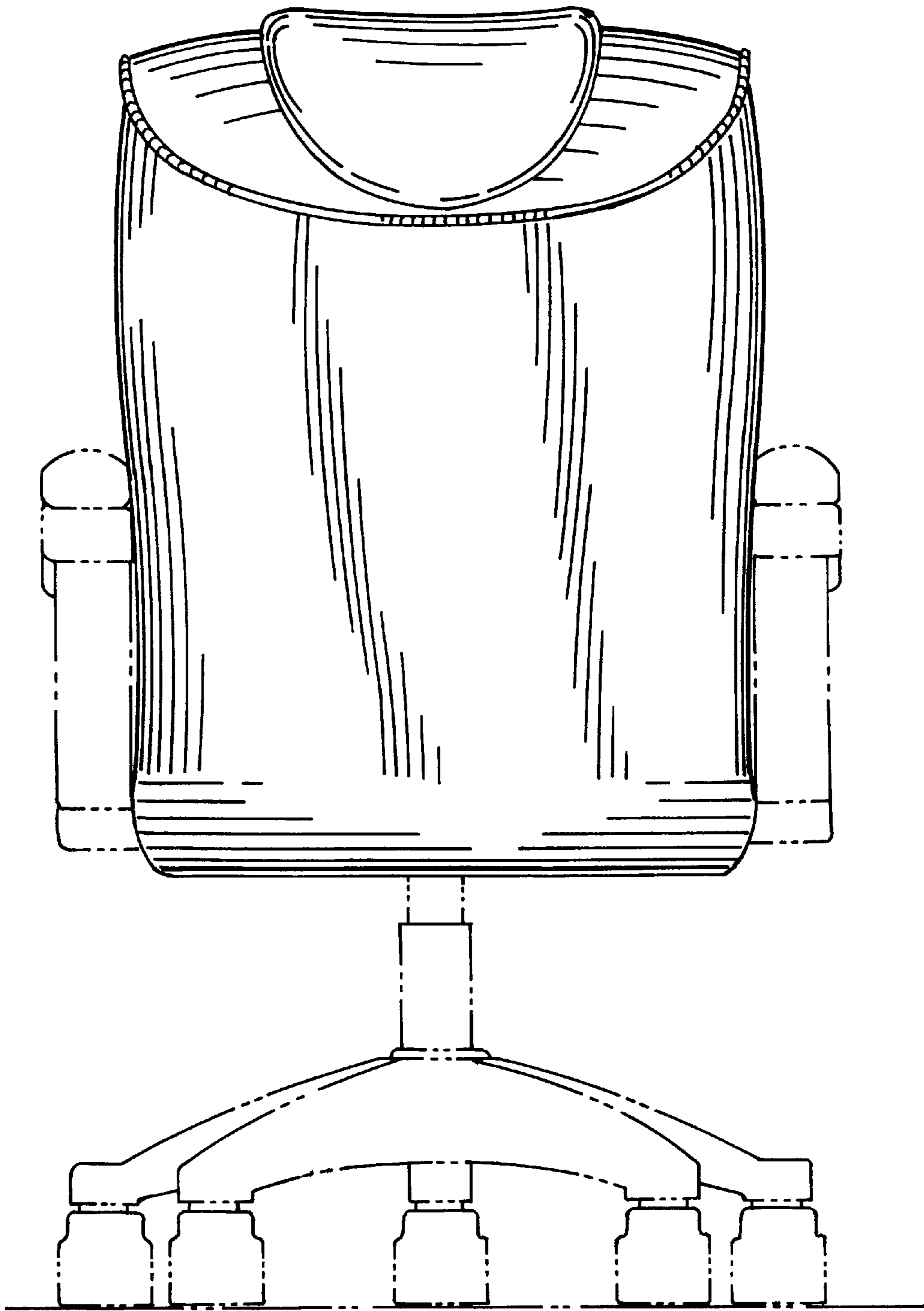


FIG. 5

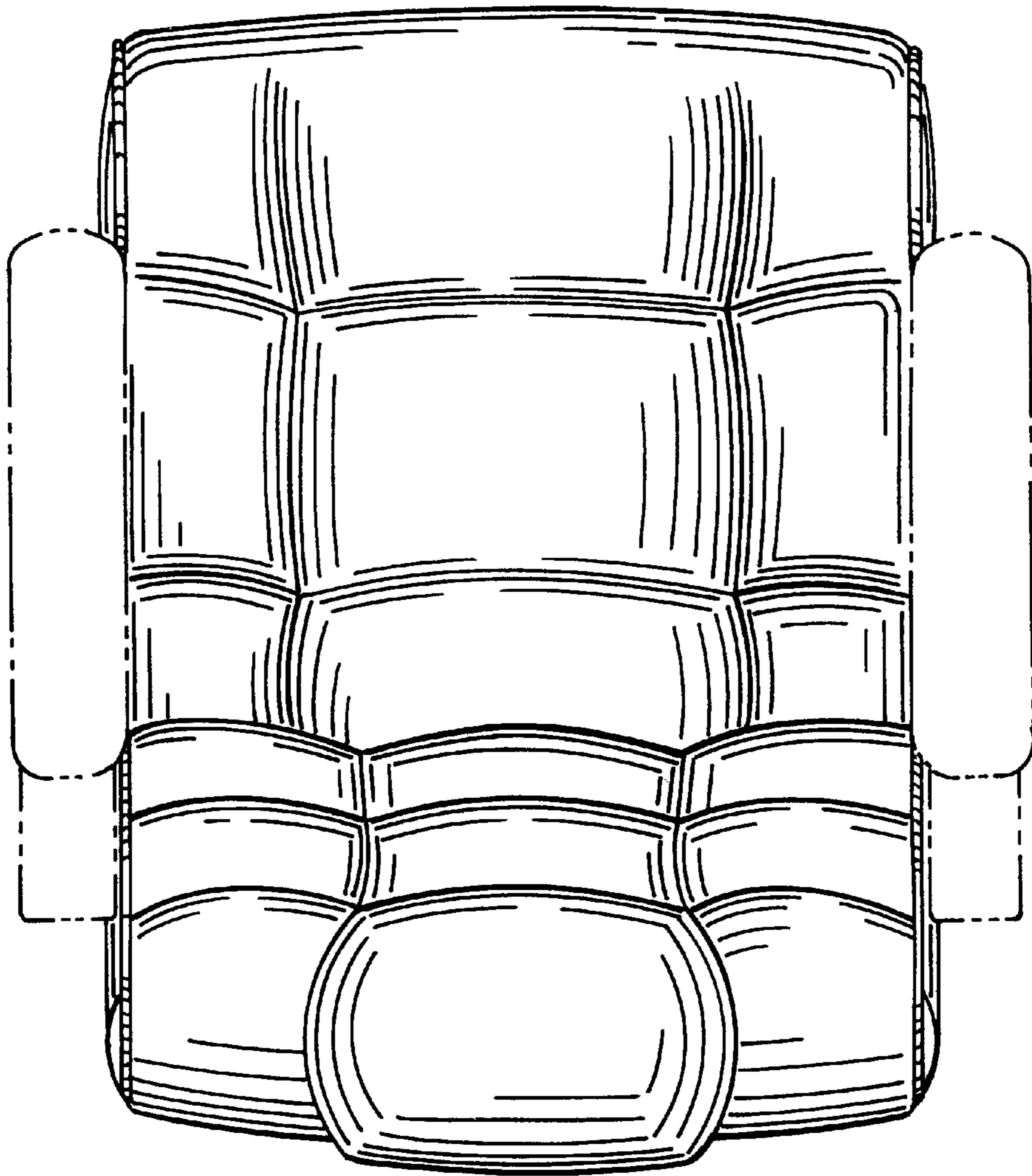


FIG. 6