



US00D481230S

(12) **United States Design Patent**
Piretti et al.

(10) **Patent No.:** **US D481,230 S**

(45) **Date of Patent:** **** Oct. 28, 2003**

(54) **CHAIR**
(75) Inventors: **Giancarlo Piretti**, Bologna (IT); **Jason S. Lind**, Green Bay, WI (US)
(73) Assignee: **Pro-Cord S.p.A.**, Bologna (IT)
(**) Term: **14 Years**

5,921,630 A 7/1999 Cassaday
D416,407 S 11/1999 Baumann et al.
D417,101 S 11/1999 DeSanta et al.
D417,793 S 12/1999 Ritch et al.
D436,259 S 1/2001 Nagamitsu
D436,768 S 1/2001 Jenkins et al.
D468,564 S * 1/2003 Piretti et al. D6/500

(21) Appl. No.: **29/169,296**
(22) Filed: **Oct. 17, 2002**

FOREIGN PATENT DOCUMENTS

WO DMA/004150 5/1998

Related U.S. Application Data

(62) Division of application No. 29/124,741, filed on Jun. 9, 2000, now Pat. No. Des. 468,564.
(51) **LOC (7) Cl.** **06-06**
(52) **U.S. Cl.** **D6/500; D6/366**
(58) **Field of Search** D6/334, 364, 365, D6/366, 367, 500, 501, 502; 297/411.2, 411.27, 411.36

OTHER PUBLICATIONS

“Precedence” Brochure KI-00241/BD/IS/IT/PP/1097, Krueger International, Inc., 1330 Bellevue Street, Green Bay, WI 54302, 1997.
“Piretti 2000 Seating” Brochure KI-00018/PP195, Krueger International, Inc. 1330 Bellevue Street, Green Bay, WI 54308-8100, 1995.
“Office Seating—The Piretti Collection” Brochure CN-07152/PP491, Krueger International, Inc. 1330 Bellevue Street, Green Bay, WI 54302, undated.

* cited by examiner

(56) **References Cited**

U.S. PATENT DOCUMENTS

D305,284 S 1/1990 Piretti
D325,824 S 5/1992 Piretti
D326,783 S 6/1992 Piretti
D328,822 S 8/1992 Piretti
D349,621 S 8/1994 Wilson
D367,980 S 3/1996 Hodge et al.
D368,380 S 4/1996 Olson et al.
D390,712 S 2/1998 Koepke et al.
D398,464 S 9/1998 Cronk
D401,076 S 11/1998 Crinion
D401,771 S 12/1998 Goodworth et al.
D405,618 S 2/1999 Reutepohler et al.
D406,710 S 3/1999 Holstensson
D407,246 S 3/1999 Stumpf
D407,911 S 4/1999 Brauning
D410,808 S 6/1999 Baumann et al.
D411,396 S 6/1999 Stumpf

Primary Examiner—Gary D. Watson
(74) *Attorney, Agent, or Firm*—Boyle, Fredrickson, Newholm, Stein & Gratz, S.C.

(57) **CLAIM**

The ornamental design for a chair, as shown and described.

DESCRIPTION

FIG. 1 is an isometric view of a chair incorporating my new design;
FIG. 2 is a front elevation view of a chair incorporating my new design;
FIG. 3 is a rear elevation view thereof;
FIG. 4 is a left side elevation view thereof, the right side elevation being a mirror image; and,
FIG. 5 is a bottom plan view thereof.

1 Claim, 3 Drawing Sheets

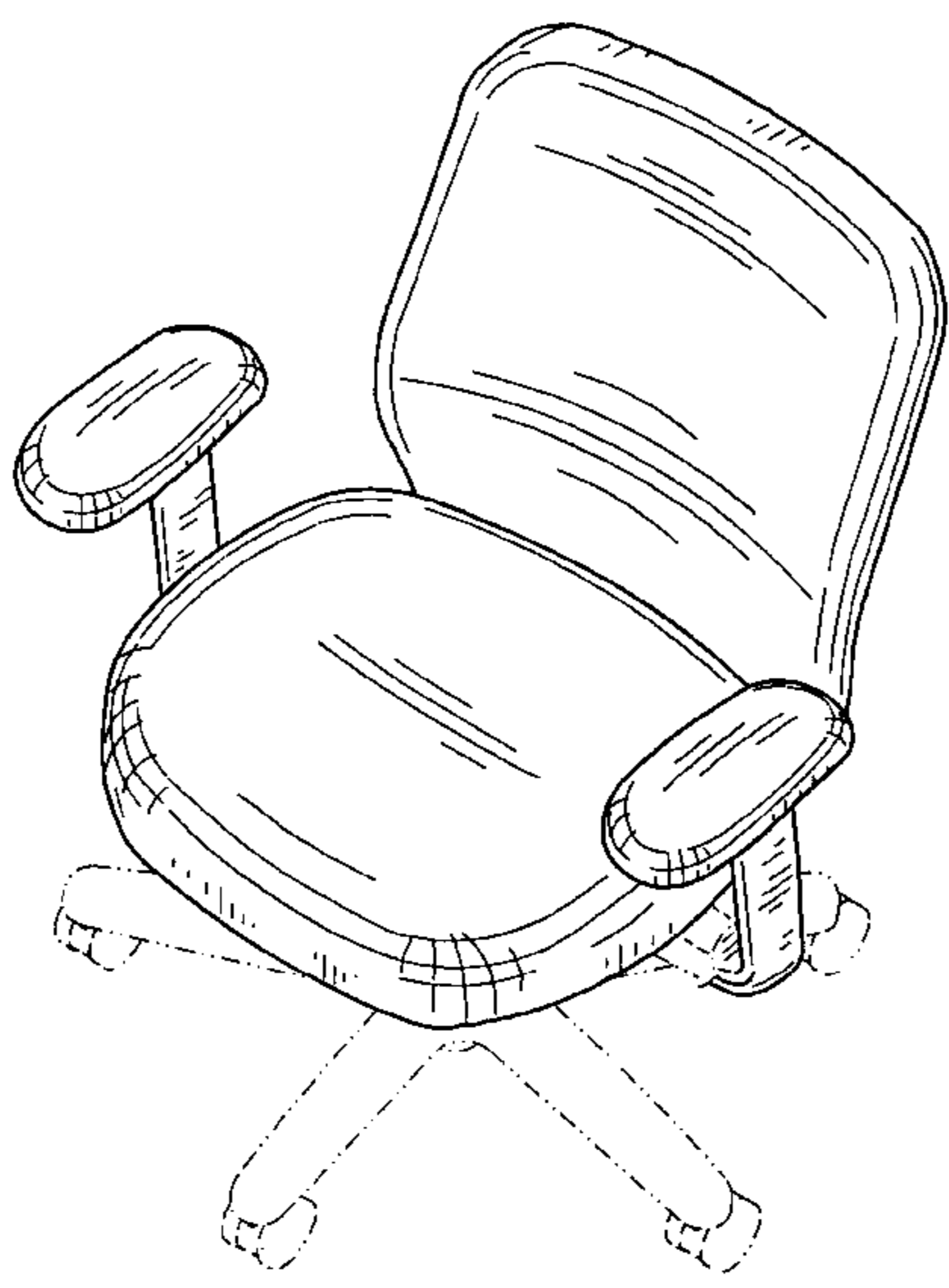


FIG. 1

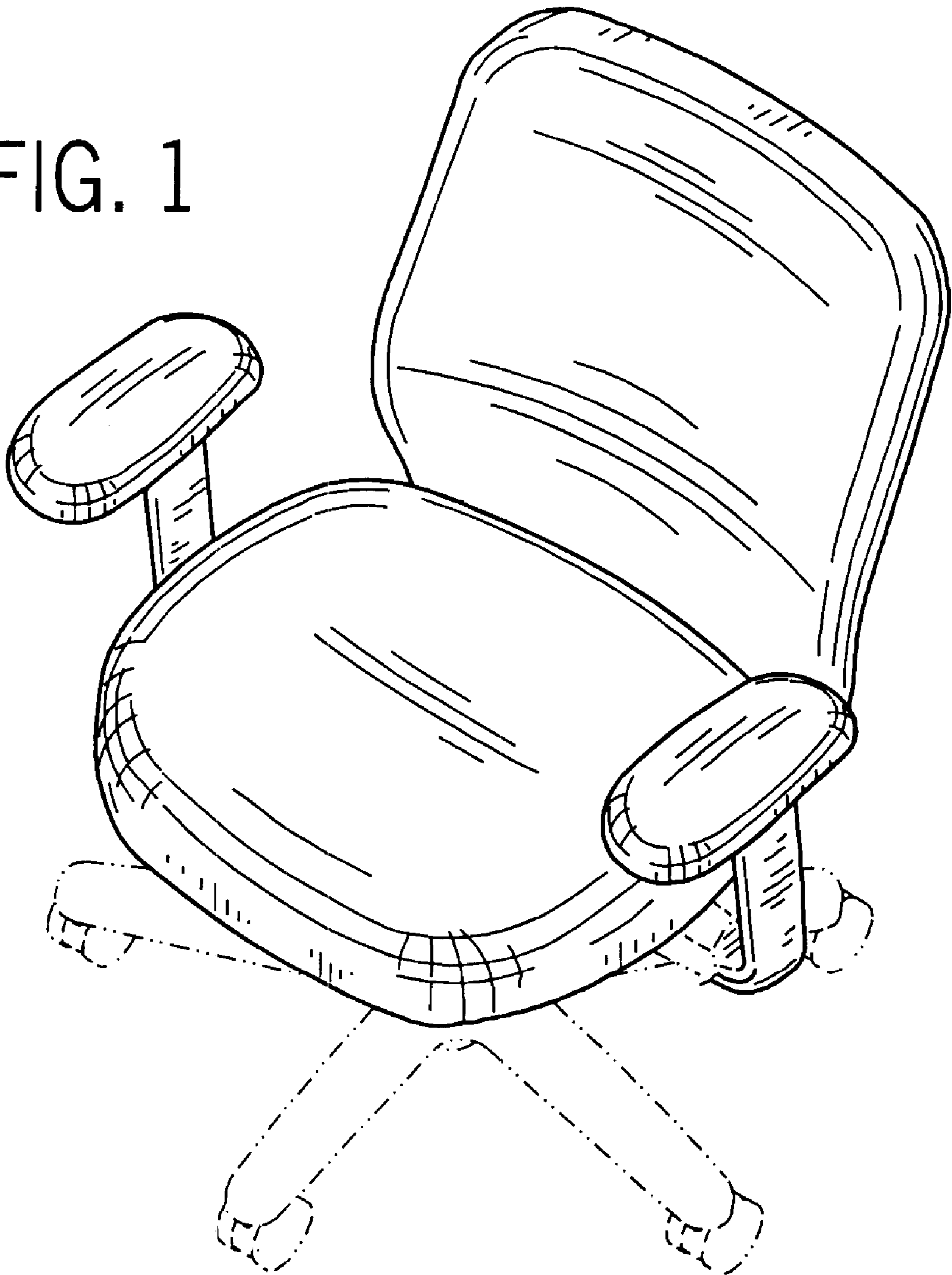


FIG. 2

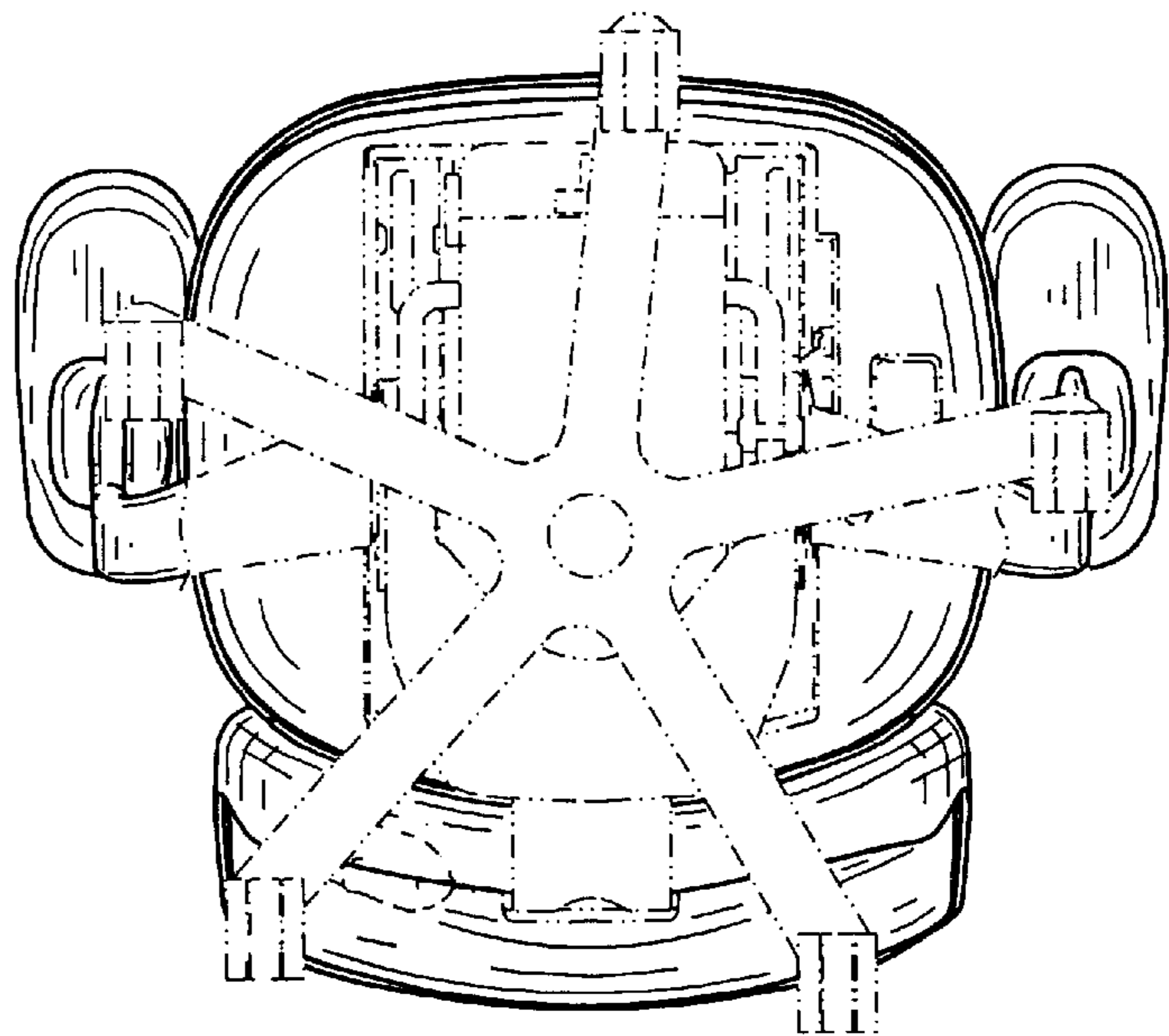
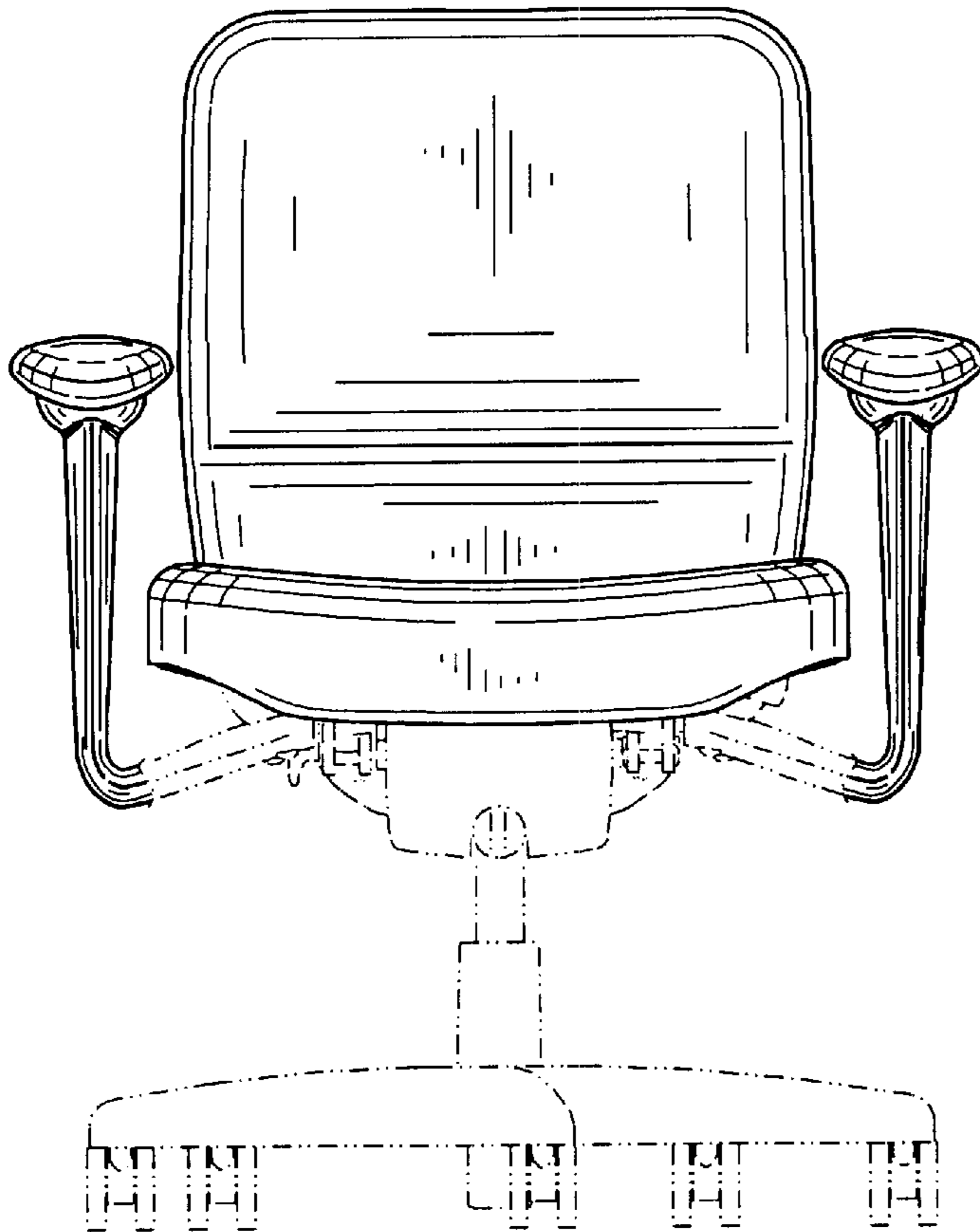


FIG. 5

FIG. 3

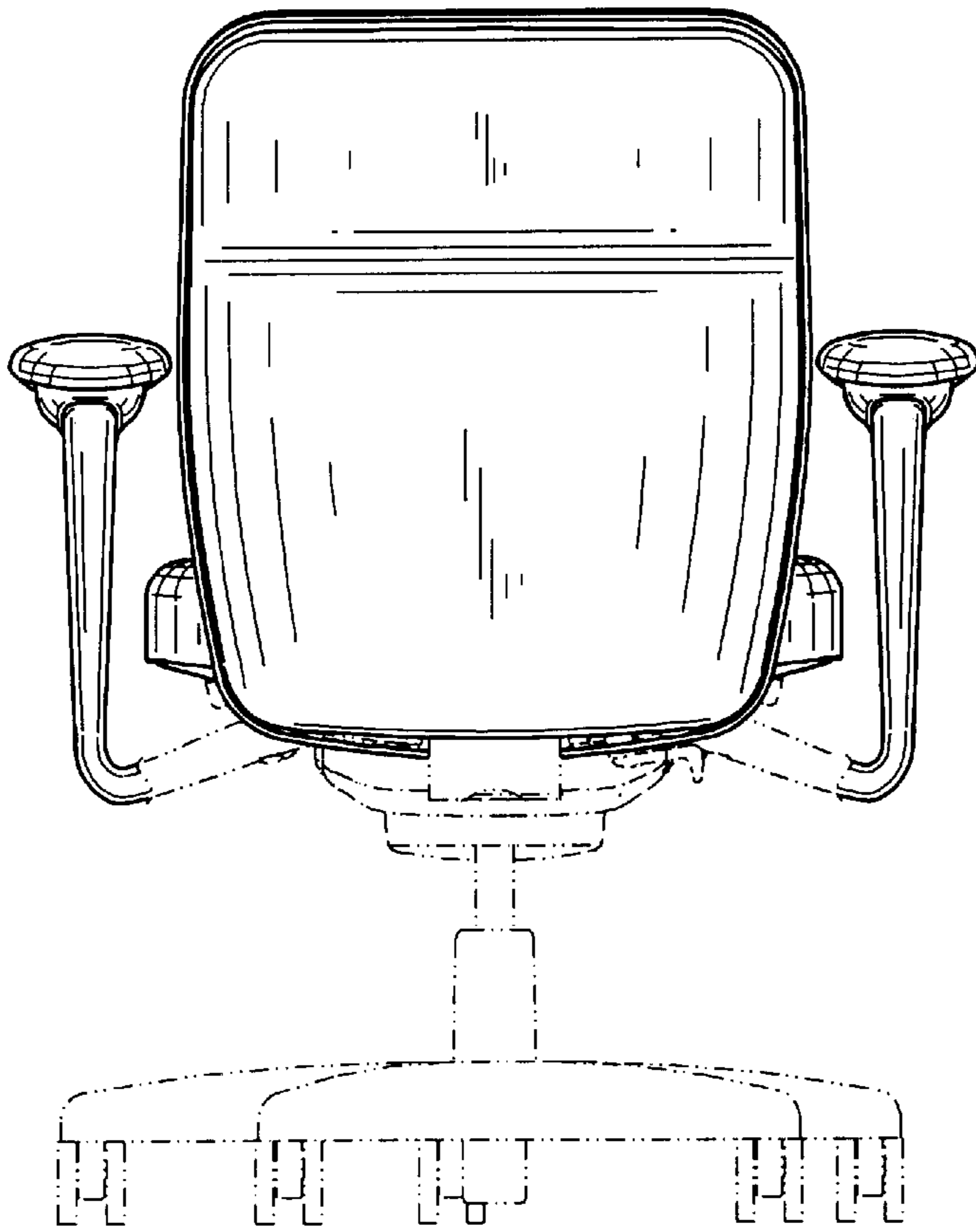


FIG. 4

