



US00D481228S

(12) **United States Design Patent**  
**Shilling et al.**

(10) **Patent No.:** **US D481,228 S**  
(45) **Date of Patent:** **\*\* Oct. 28, 2003**

(54) **COUPLING FOR AN ARTICLE OF FURNITURE**

(75) Inventors: **Jerry L. Shilling**, Syracuse, IN (US);  
**Nicholas A. Caughell**, Roann, IN (US)

(73) Assignee: **Wabash Valley Manufacturing, Inc.**,  
Silver Lake, IN (US)

(\*\*) Term: **14 Years**

(21) Appl. No.: **29/153,566**

(22) Filed: **Jan. 9, 2002**

(51) **LOC (7) Cl.** ..... **06-06**

(52) **U.S. Cl.** ..... **D6/499**

(58) **Field of Search** ..... D6/334, 335, 336,  
D6/337, 364, 365, 366, 491, 495, 496,  
498, 499; 297/157.1, 158.3, 158.5; 248/188,  
188.1, 188.8; 439/52, 53; D8/382, 396;  
D23/262

(56) **References Cited**

**U.S. PATENT DOCUMENTS**

|               |         |                 |         |
|---------------|---------|-----------------|---------|
| D165,710 S    | 1/1952  | Currie et al.   |         |
| D182,822 S    | 5/1958  | Kempner, Jr.    |         |
| 2,917,108 A   | 12/1959 | Moritz          |         |
| D190,744 S    | 6/1961  | Guice           |         |
| 3,255,721 A * | 6/1966  | Peterschmidt    | 403/172 |
| D209,758 S    | 1/1968  | Blink et al.    |         |
| D222,806 S    | 1/1972  | Wise            |         |
| D228,162 S    | 8/1973  | Fink            |         |
| 3,758,152 A   | 9/1973  | Lake            |         |
| D231,963 S    | 7/1974  | May             |         |
| 3,847,424 A   | 11/1974 | Nielsen         |         |
| 3,910,631 A   | 10/1975 | Inaba           |         |
| 4,023,859 A   | 5/1977  | Hagenson        |         |
| 4,039,263 A * | 8/1977  | Bassler         | 403/218 |
| D257,271 S *  | 10/1980 | Gabriel         | D8/382  |
| D277,442 S    | 2/1985  | Crowell         |         |
| 4,522,443 A   | 6/1985  | Van Blankenburg |         |
| D311,680 S *  | 10/1990 | Miall           | D8/382  |
| D327,778 S    | 7/1992  | Crawford        |         |
| D327,779 S    | 7/1992  | Jensen et al.   |         |
| 5,169,258 A * | 12/1992 | Raynak          | 403/170 |
| D355,588 S *  | 2/1995  | Kuwata          | D8/382  |
| 5,387,165 A * | 2/1995  | Warren          | 403/170 |
| D357,590 S    | 4/1995  | Noll            |         |

|                |         |                  |         |
|----------------|---------|------------------|---------|
| 5,421,666 A *  | 6/1995  | Spears           | 403/169 |
| D360,536 S     | 7/1995  | Pelletier        |         |
| 5,452,936 A    | 9/1995  | Koehring         |         |
| 5,549,408 A *  | 8/1996  | Lo               | 403/218 |
| D376,532 S *   | 12/1996 | Esslinger        | D8/382  |
| D417,803 S     | 12/1999 | Shilling et al.  |         |
| D418,988 S     | 1/2000  | Shilling et al.  |         |
| D418,989 S     | 1/2000  | Shilling et al.  |         |
| D420,521 S     | 2/2000  | Shilling et al.  |         |
| D422,420 S     | 4/2000  | Shilling et al.  |         |
| D432,797 S     | 10/2000 | Schilling et al. |         |
| 6,568,871 B2 * | 5/2003  | Song et al.      | 403/170 |

**OTHER PUBLICATIONS**

2001 "Plastisol" Coated Furniture Catalog, Wabash Valley Manufacturing, Inc.  
Vinyl Coated Steel Recreational Furniture 1998 Catalog, Diversified Metal Fabricators, Inc.  
Superior Line Outdoor/Indoor Furniture 1996 Catalog, Fusion Coatings, Inc.  
Specializing in Vinyl Coated Steel Recreational Furniture Catalog, Diversified Metal Fabricators, Inc., 12<sup>th</sup> Edition, Jan. 1996.  
Recreation Catalog, Ken Coat, Inc., Dec. 1, 1995.

\* cited by examiner

*Primary Examiner*—Doris V. Coles  
*Assistant Examiner*—Mimosa De  
(74) *Attorney, Agent, or Firm*—E. Victor Indiano; Indiano Vaughan Roberts & Filomena

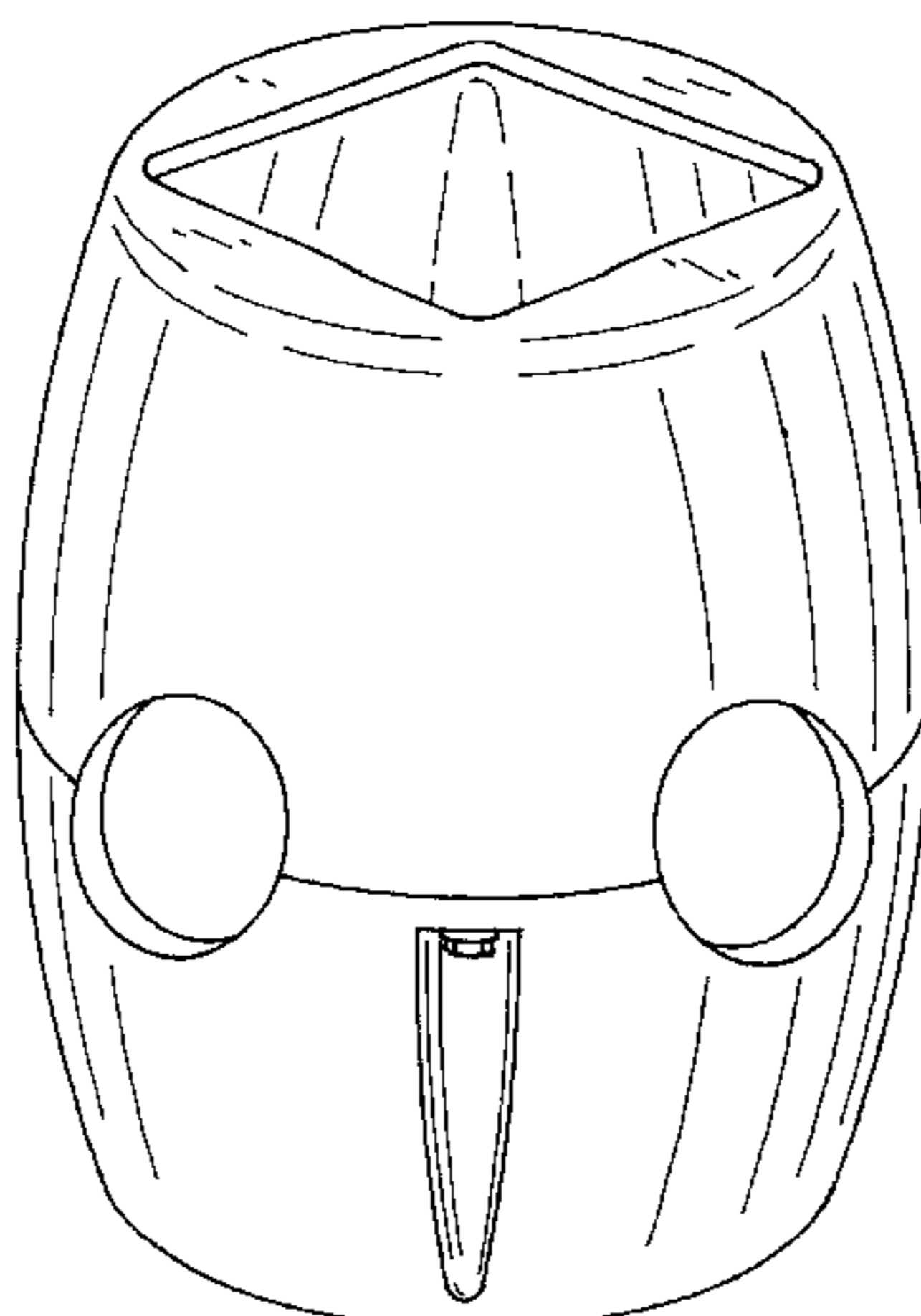
(57) **CLAIM**

The ornamental design for the coupling for an article of furniture, as shown and described.

**DESCRIPTION**

FIG. 1 is a perspective view of a coupling showing our new design;  
FIG. 2 is a front view thereof;  
FIG. 3 is a left side view thereof;  
FIG. 4 is a right side view thereof;  
FIG. 5 is a rear view thereof;  
FIG. 6 is a top view thereof; and,  
FIG. 7 is a bottom view thereof.

**1 Claim, 2 Drawing Sheets**



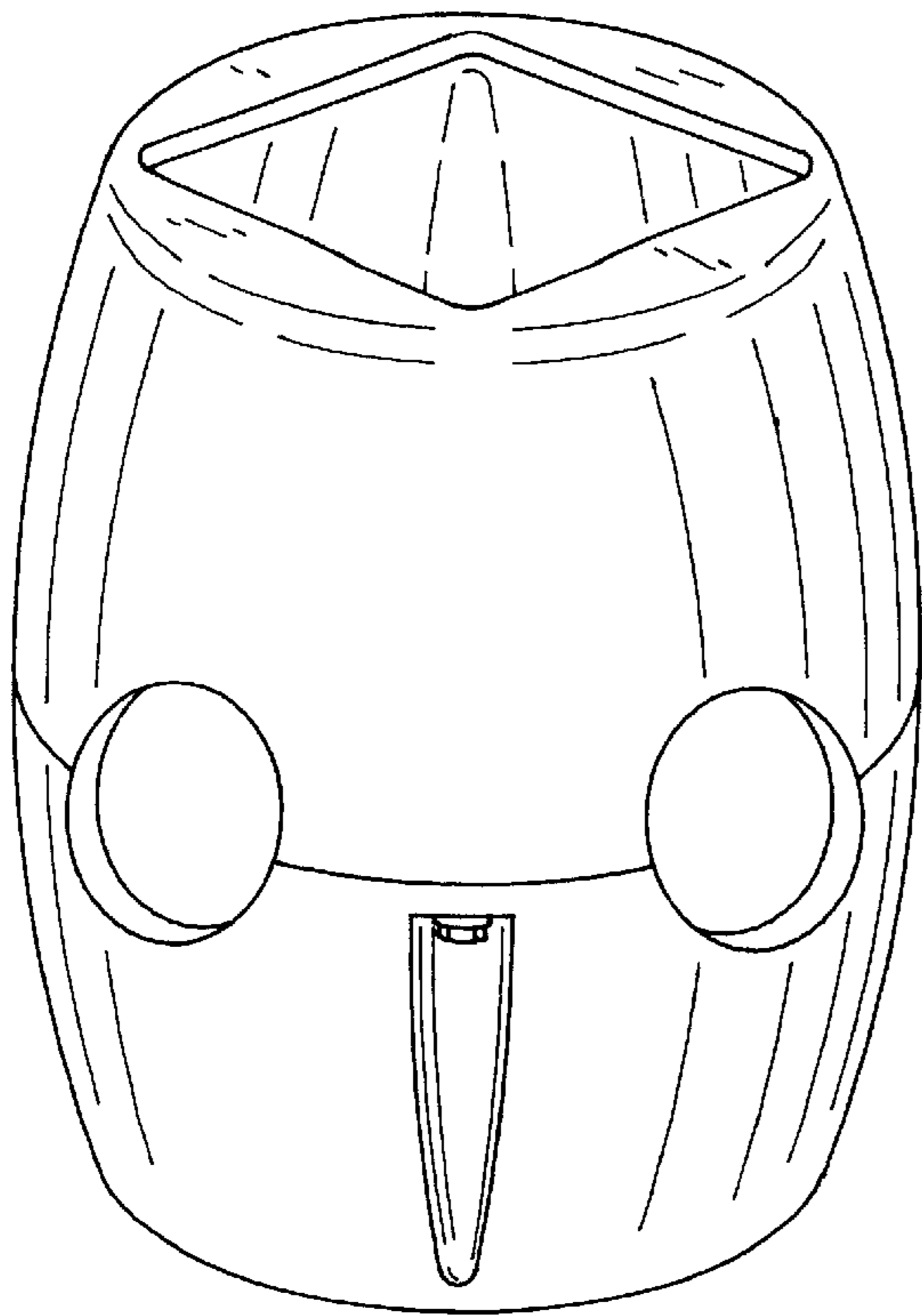


FIG. 1

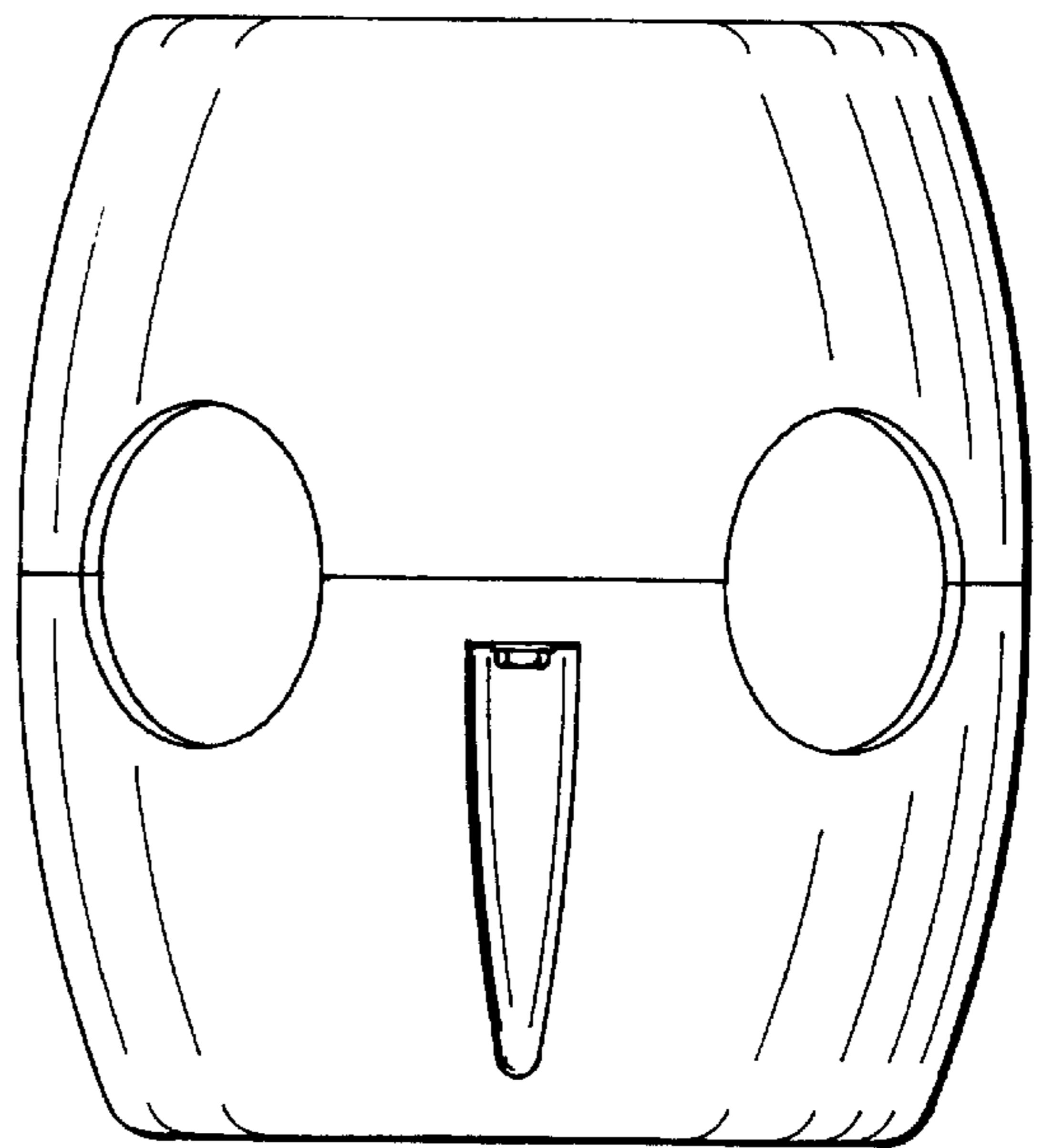


FIG. 2

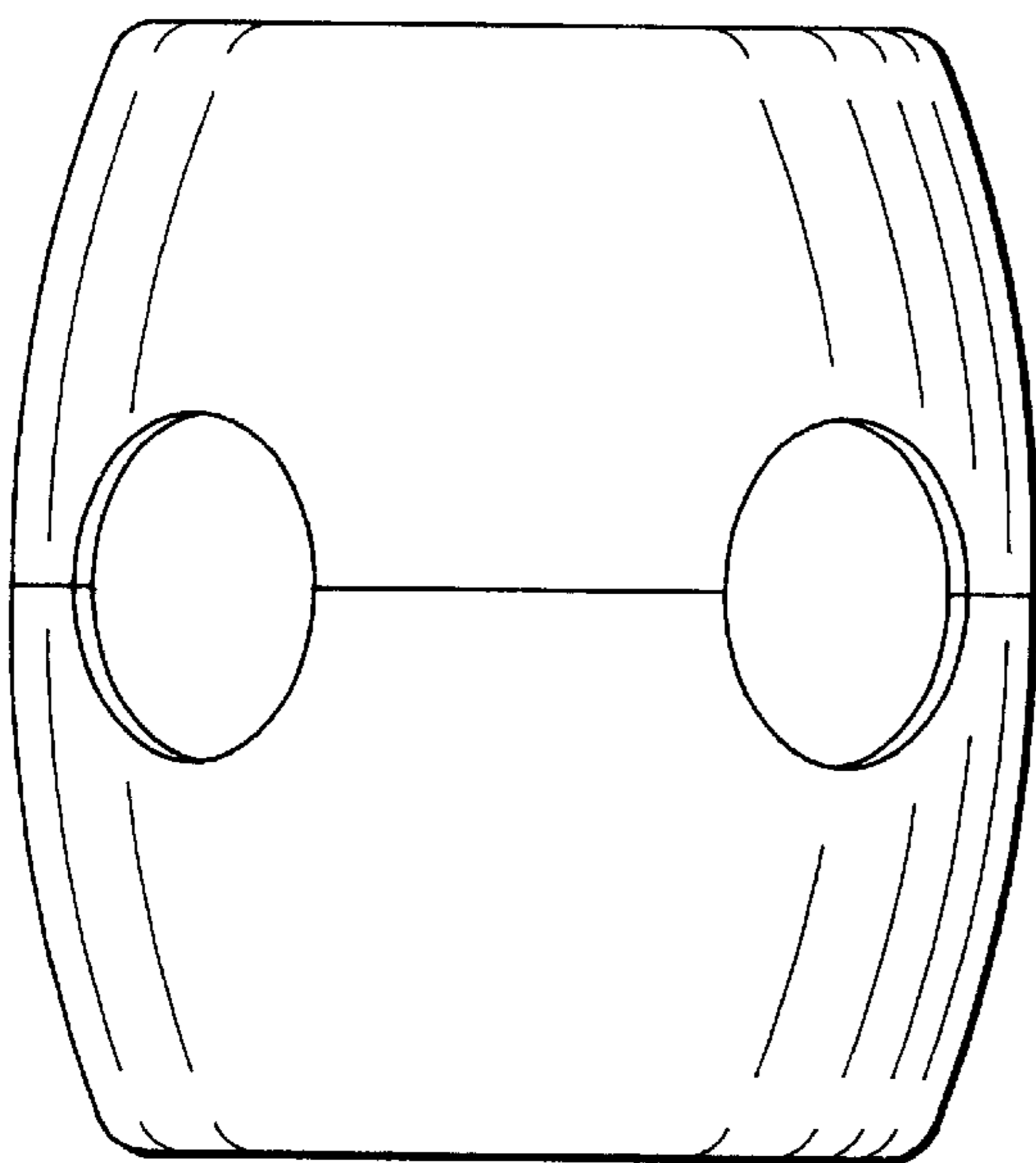


FIG. 3

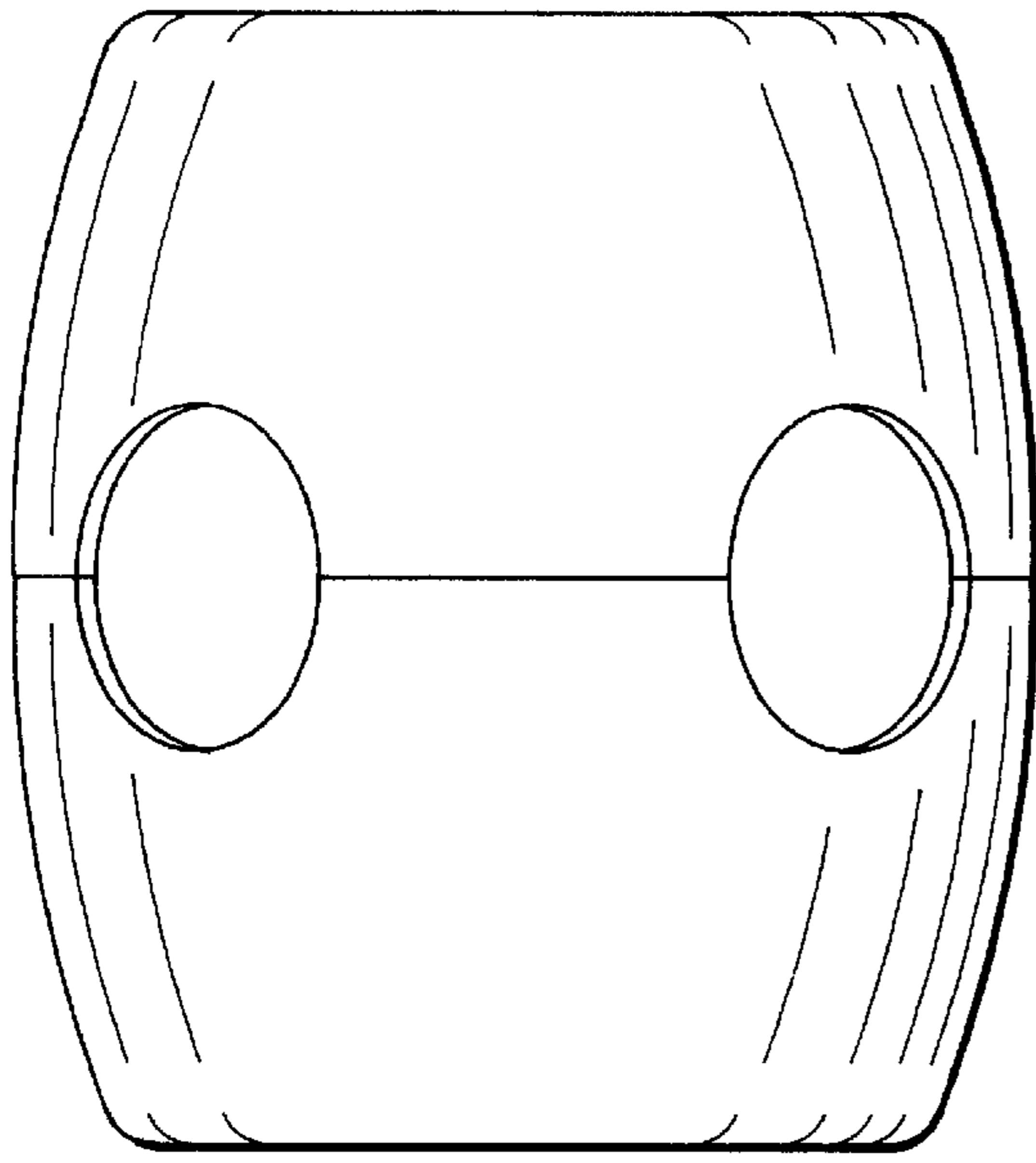


FIG. 4

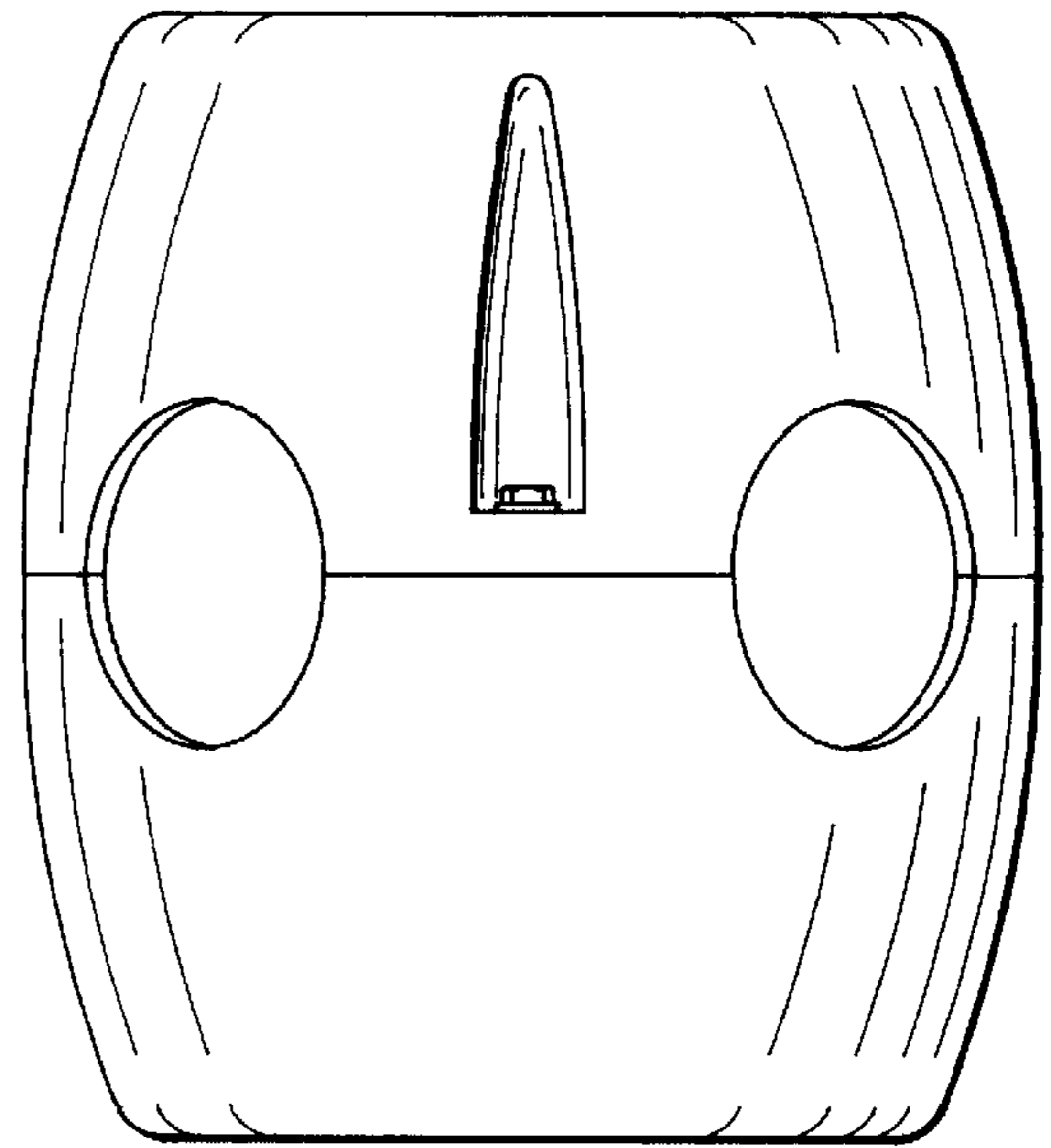


FIG. 5

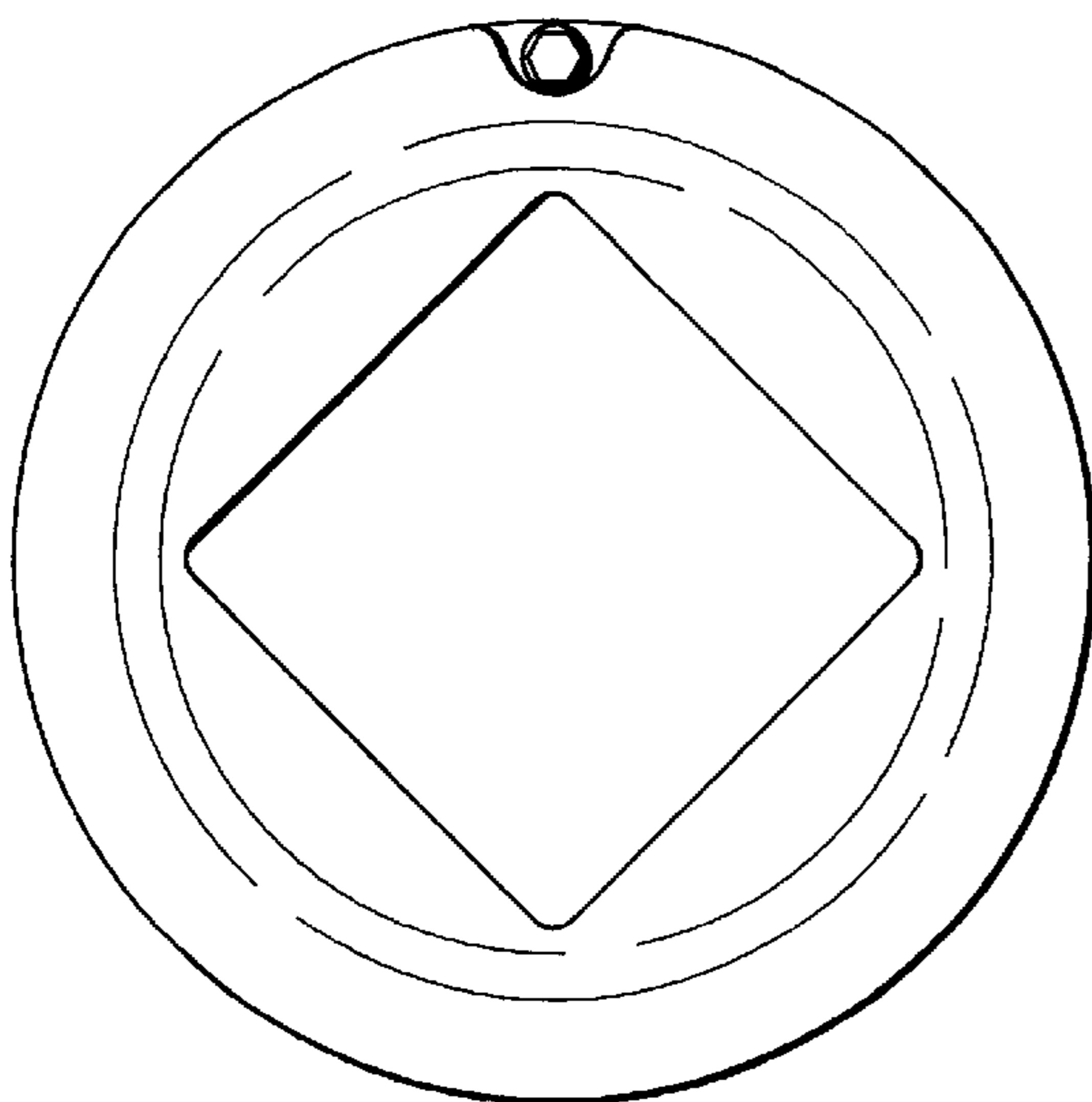


FIG. 6

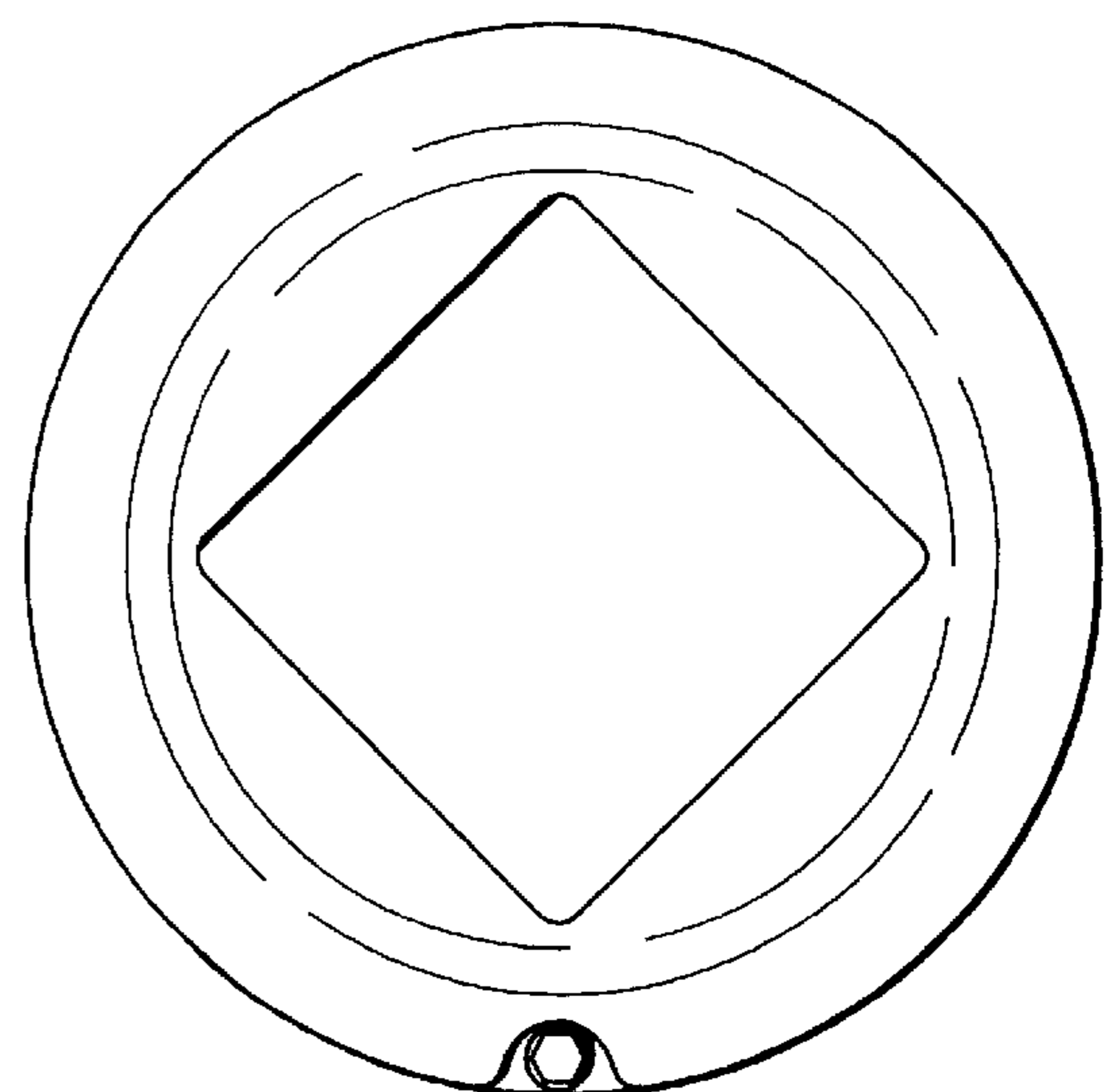


FIG. 7