



US00D481226S

(12) **United States Design Patent**
Overthun et al.

(10) **Patent No.:** **US D481,226 S**

(45) **Date of Patent:** **** Oct. 28, 2003**

(54) **PARTITION INSERT**

(75) Inventors: **Thomas Overthun**, San Francisco, CA (US); **James N. Ludwig**, E. Grand Rapids, MI (US); **David M. Gresham**, E. Grand Rapids, MI (US); **Karl Heinz Mueller**, E. Grand Rapids, MI (US); **Monika Conway**, Menlo Park, CA (US); **Stephen Don Wahl**, San Francisco, CA (US); **John W. Smith**, San Francisco, CA (US)

(73) Assignee: **Steelcase Development Corporation**, Caledonia, MI (US)

(**) Term: **14 Years**

(21) Appl. No.: **29/158,222**

(22) Filed: **Mar. 29, 2002**

(51) **LOC (7) Cl.** **06-06**

(52) **U.S. Cl.** **D6/492; D6/509**

(58) **Field of Search** D6/332, 396, 397, D6/492, 509, 436; D25/16, 58; 52/220.7, 220.1, 238.1, 239, 241

(56) **References Cited**

U.S. PATENT DOCUMENTS

405,791 A	6/1889	Moushey	
1,588,093 A	6/1926	Carlson	
1,907,679 A	5/1933	Smith	
2,027,491 A	1/1936	Percy	
D125,270 S	* 2/1941	Hand D6/492
2,260,178 A	10/1941	Guignon, Jr.	
2,439,664 A	4/1948	Marchand	
2,878,955 A	3/1959	Hagan	
3,004,815 A	10/1961	O'Kain et al.	
3,195,698 A	7/1965	Codrea	
3,212,646 A	10/1965	Propst	
3,620,404 A	11/1969	Grasso	
3,557,499 A	1/1971	Dickie et al.	
3,685,230 A	8/1972	Lickliter et al.	
3,766,696 A	* 10/1973	Totoonchie 52/241
D255,301 S	* 6/1980	Windisch et al. D6/473

4,294,498 A	10/1981	Van Luit
4,319,792 A	3/1982	Britt et al.
4,415,091 A	11/1983	Wolff
4,453,785 A	6/1984	Smith

(List continued on next page.)

OTHER PUBLICATIONS

Discloses a partition-attached utility-distributing module, designed and publicly shown prior to the filing date of the present application, under the tradename SWITCH by SMED Company, which is wholly owned by Haworth, Inc., Holland, MI (12 pages).

Discloses a partition-attached utility-distributing module, designed and publicly shown prior to the filing date of the present application, under the tradename SWITCH by SMED Company, which is wholly owned by Haworth, Inc., Holland, MI (15 pages).

Primary Examiner—Cathron C. Brooks

(74) *Attorney, Agent, or Firm*—Price, Heneveld, Cooper, DeWitt & Litton

(57) **CLAIM**

We claim the ornamental design for a partition insert, as shown described.

DESCRIPTION

FIG. 1 is a perspective view of a partition insert, embodying our design;

FIG. 2 is a front view of FIG. 1;

FIG. 3 is a side view of FIG. 1, the opposite side being a mirror image thereof;

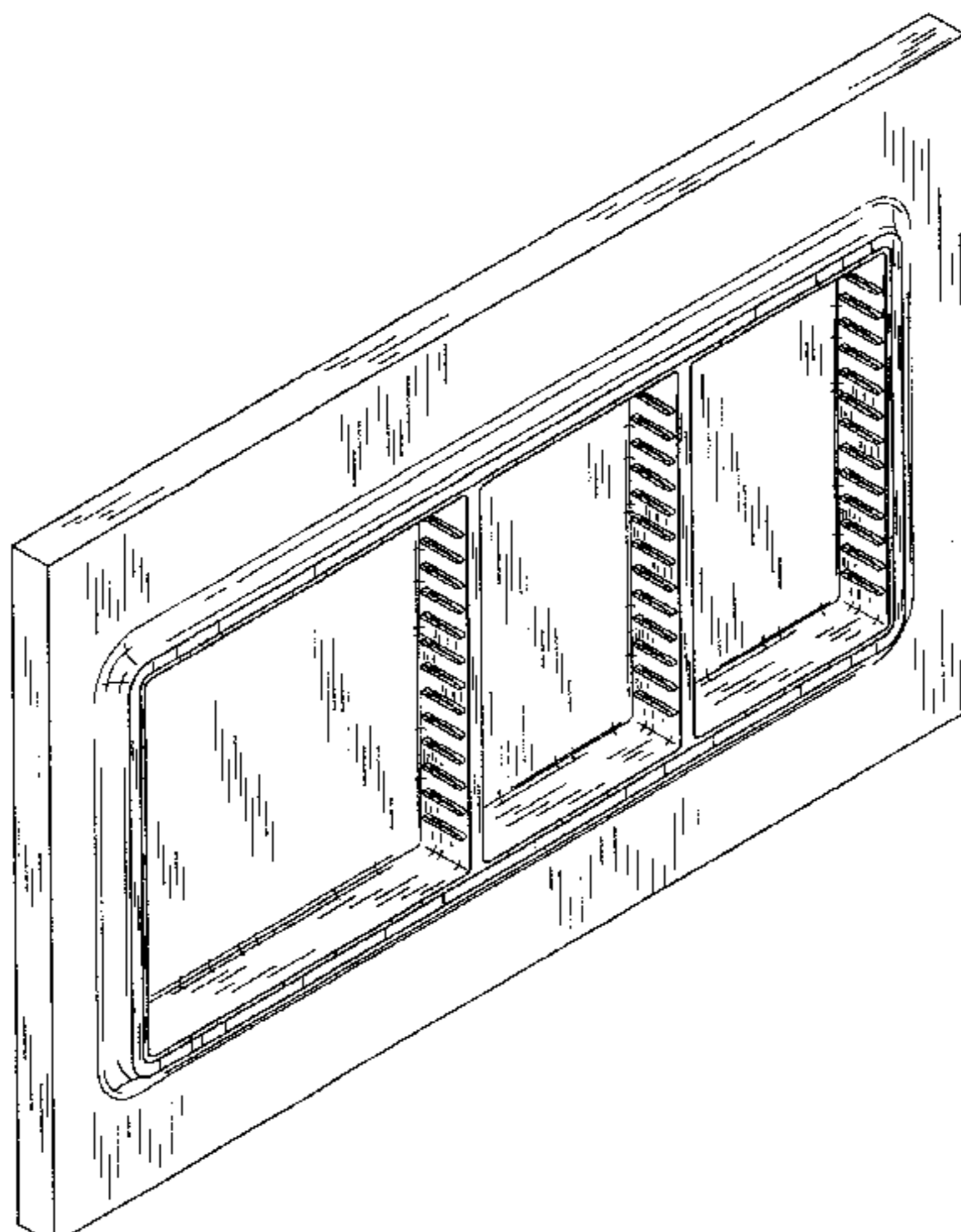
FIG. 4 is a cross-section taken along lines 4—4 in FIG. 2, the cross-section showing the contour of surfaces in FIG. 2;

FIG. 5 is a top view of FIG. 1, the bottom view being a mirror image thereof; and,

FIG. 6 is a cross-section taken along lines 6—6 in FIG. 2, showing the contour of surfaces in FIG. 2.

The dashed lines are to show the environment and do not form a part of the present invention.

1 Claim, 2 Drawing Sheets



US D481,226 S

Page 2

U.S. PATENT DOCUMENTS

4,463,684 A	8/1984	Klungle et al.	5,255,971 A	10/1993	Aisley
4,542,832 A	9/1985	Minick et al.	5,277,005 A	1/1994	Hellwig et al.
4,581,858 A	4/1986	Clark	5,289,927 A	3/1994	Emery
4,642,418 A	2/1987	Menchetti	5,427,446 A	6/1995	Glomski
4,681,380 A	7/1987	Carlin	5,660,120 A	8/1997	Sims
4,685,255 A	8/1987	Kelley	5,707,125 A	1/1998	Coglin
D293,981 S *	2/1988	Ball D6/332	D392,114 S *	3/1998	Thorp et al. D6/332
D296,619 S *	7/1988	Charman D6/332	5,730,300 A	3/1998	Chen
4,759,450 A	7/1988	Ball et al.	5,875,594 A	3/1999	Hellwig et al.
4,826,115 A	5/1989	Novitski	RE36,226 E	6/1999	Antonio
4,876,835 A	10/1989	Kelley et al.	6,000,180 A	12/1999	Goodman et al.
4,942,805 A	7/1990	Hellwig et al.	6,100,942 A	8/2000	Hollenbaugh et al.
5,038,539 A	8/1991	Kelley et al.	6,101,773 A	8/2000	Chau et al.
D321,801 S *	11/1991	Friedman D6/492	6,115,978 A	9/2000	Bastian et al.
5,129,200 A	7/1992	Kaneko	6,129,109 A	10/2000	Humber
5,172,529 A	12/1992	Van De Riet	6,206,206 B1	3/2001	Saylor et al.
D333,352 S *	2/1993	Heidmann D25/58	6,260,324 B1	7/2001	Miedema et al.
5,197,614 A	3/1993	Dalton et al.	D449,748 S *	10/2001	Martin et al. D6/436
5,212,915 A	5/1993	Antonio			

* cited by examiner

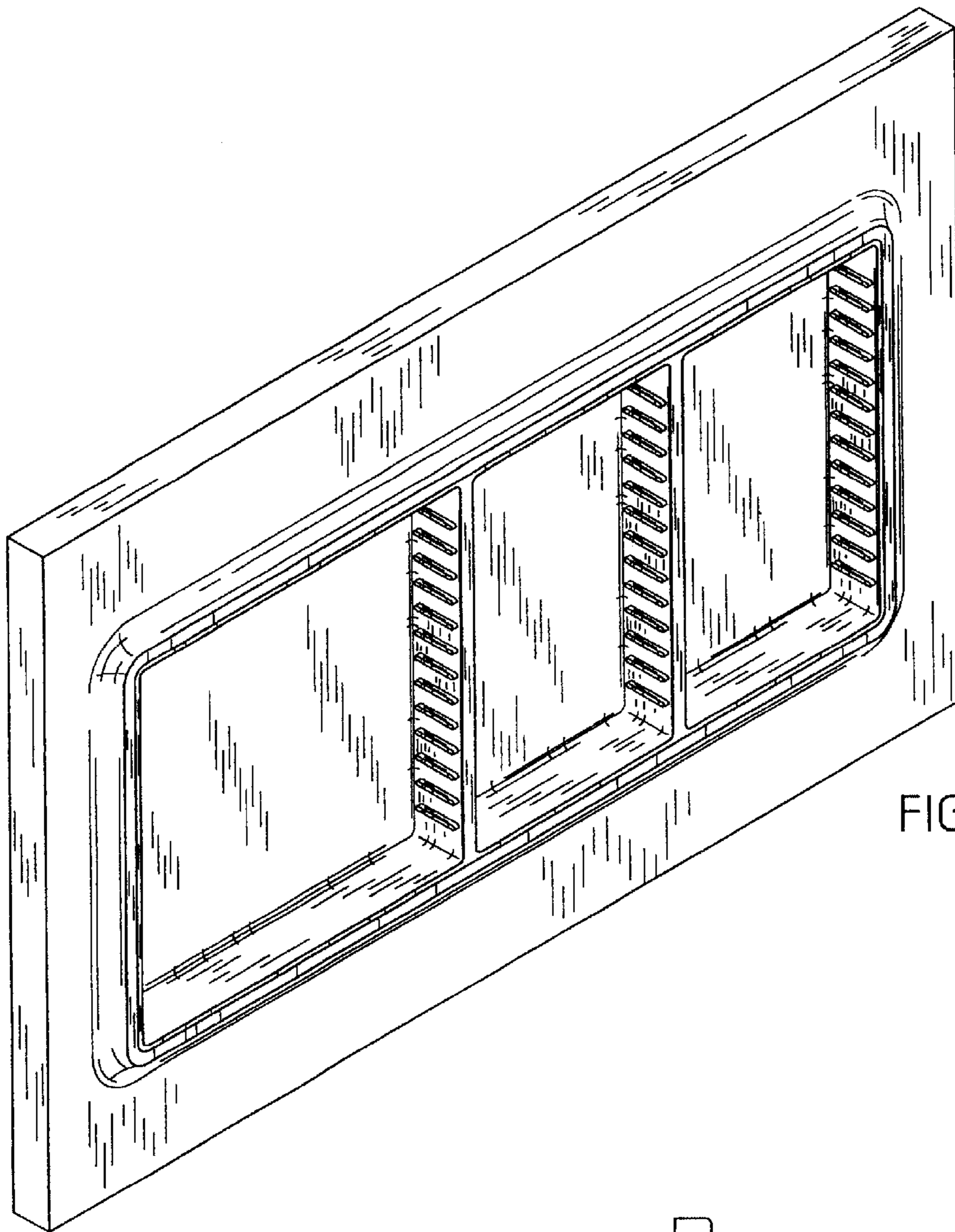


FIG. 1



FIG. 3

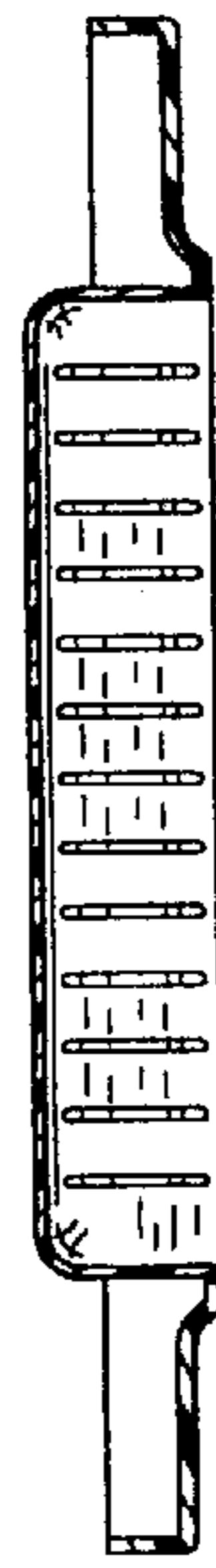


FIG. 4

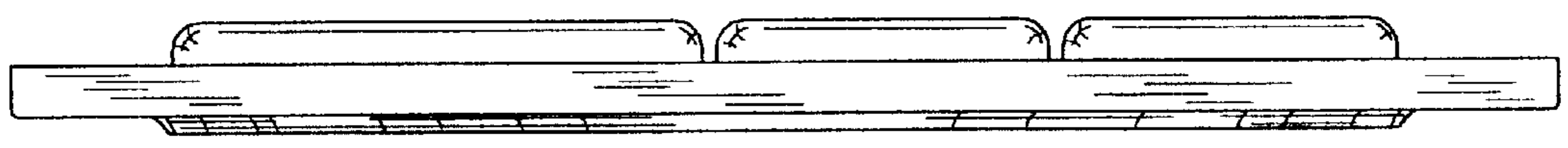
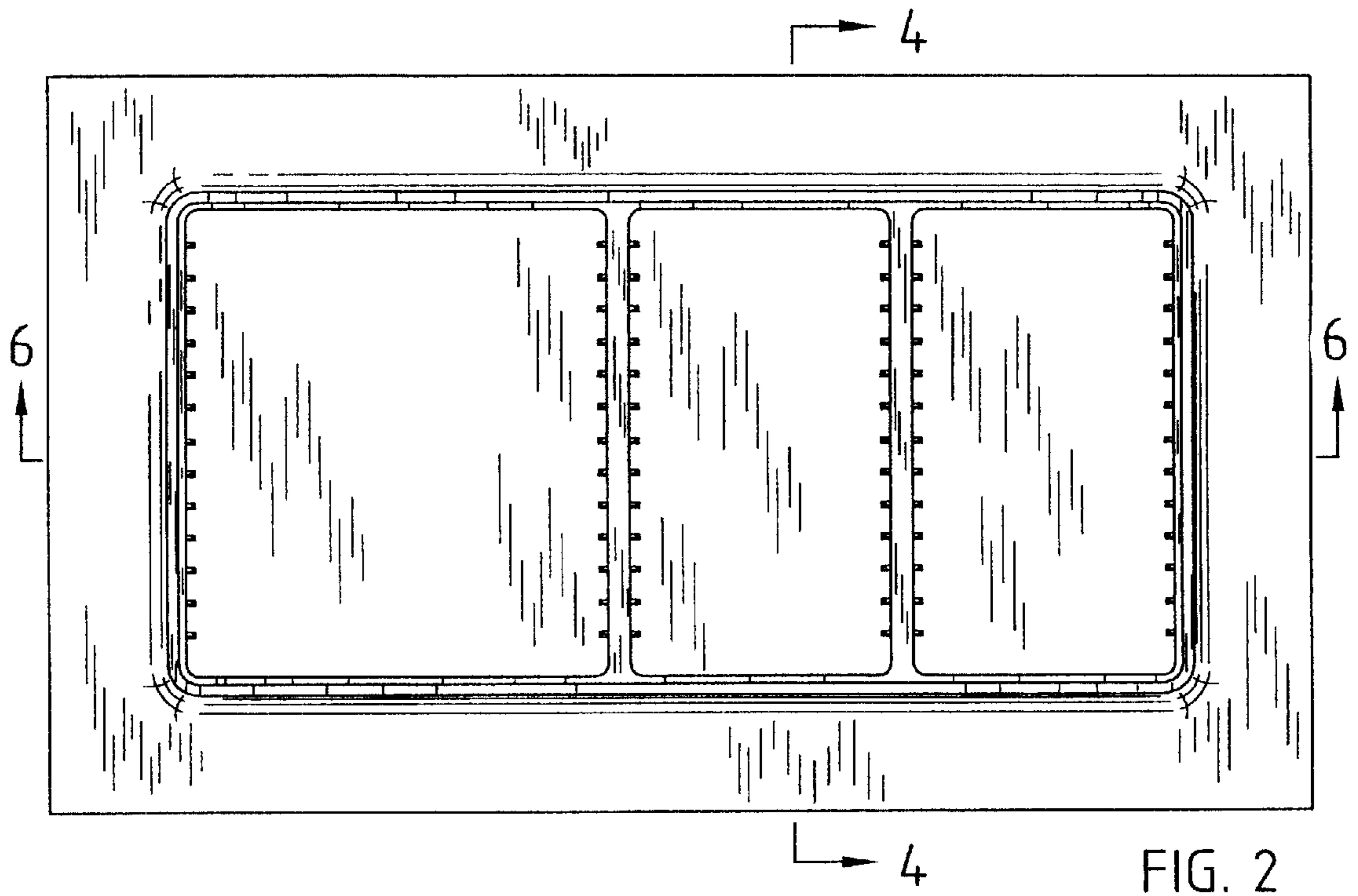


FIG. 5

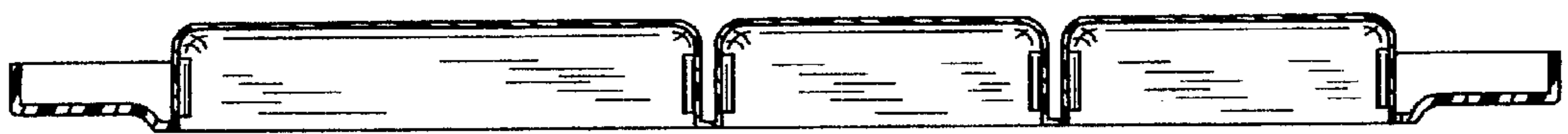


FIG. 6