



US00D481211S

(12) **United States Design Patent**  
**Chipman**

(10) **Patent No.:** **US D481,211 S**

(45) **Date of Patent:** **\*\* Oct. 28, 2003**

(54) **BENCH**

(75) **Inventor:** **Robert Gerard Chipman**, Austin, TX  
(US)

(73) **Assignee:** **Landscape Forms Inc.**, Kalamazoo, MI  
(US)

(\*\*) **Term:** **14 Years**

(21) **Appl. No.:** **29/171,189**

(22) **Filed:** **Nov. 18, 2002**

(51) **LOC (7) Cl.** ..... **06-01**

(52) **U.S. Cl.** ..... **D6/349**

(58) **Field of Search** ..... D6/349-353, 355;  
297/461, 462, 423.1, 423.39, 423.41

(56) **References Cited**

**U.S. PATENT DOCUMENTS**

D191,791 S	*	11/1961	Knoves	.....	D6/349
D214,042 S	*	5/1969	Henebry	.....	D6/349
D215,430 S	*	9/1969	Suzuki	.....	D6/349

**OTHER PUBLICATIONS**

Sweets, 1993, 02870/KIR, Boulevard Bench at top right.\*  
Sweet's Catalog: "Seating Wave Bench Series", www.rpi-  
web.com, (pp. 1-2), 2002.

\* cited by examiner

*Primary Examiner*—Janice E. Seeger  
(74) *Attorney, Agent, or Firm*—Heslin Rothenberg Farley  
& Mesiti P.C.

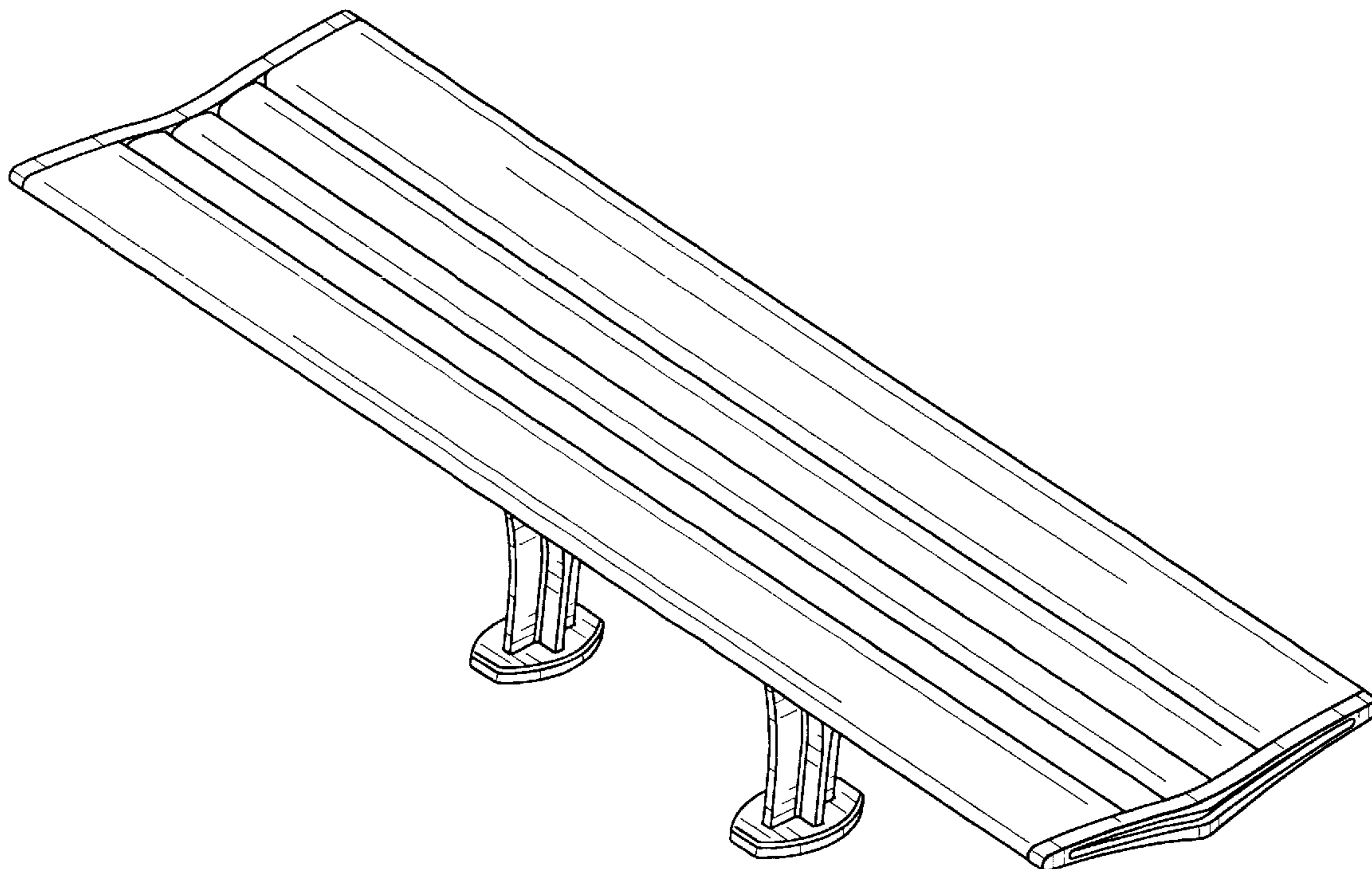
(57) **CLAIM**

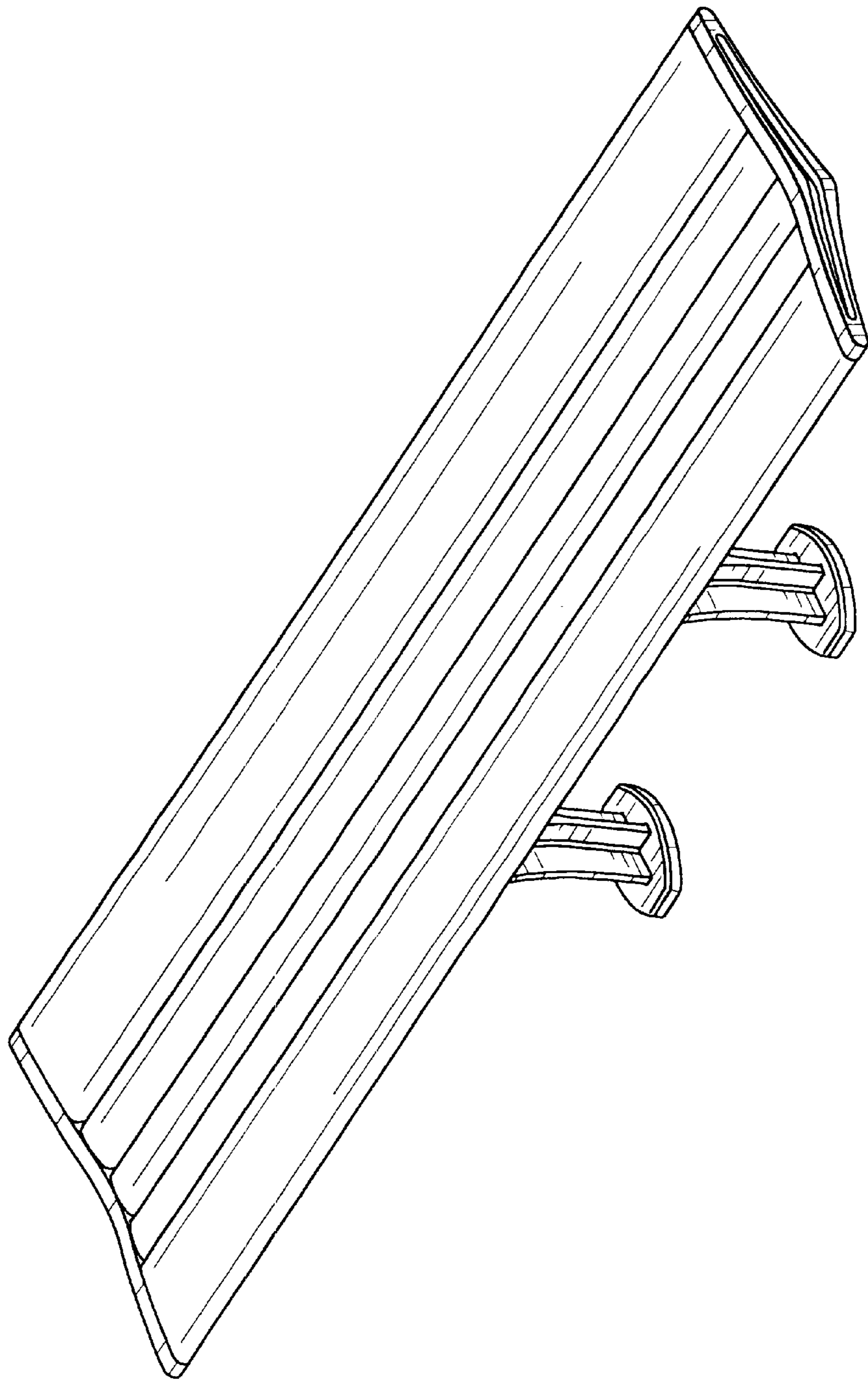
The ornamental design for a bench, as shown and described.

**DESCRIPTION**

FIG. 1 is an isometric view of the bench of my new design;  
FIG. 2 is a front elevational view thereof, the rear elevational  
view being identical thereto;  
FIG. 3 is a left side elevational view thereof, the right side  
elevational view being a mirror image thereof; and,  
FIG. 4 is a top plan view thereof.

**1 Claim, 4 Drawing Sheets**





**FIG. 1**

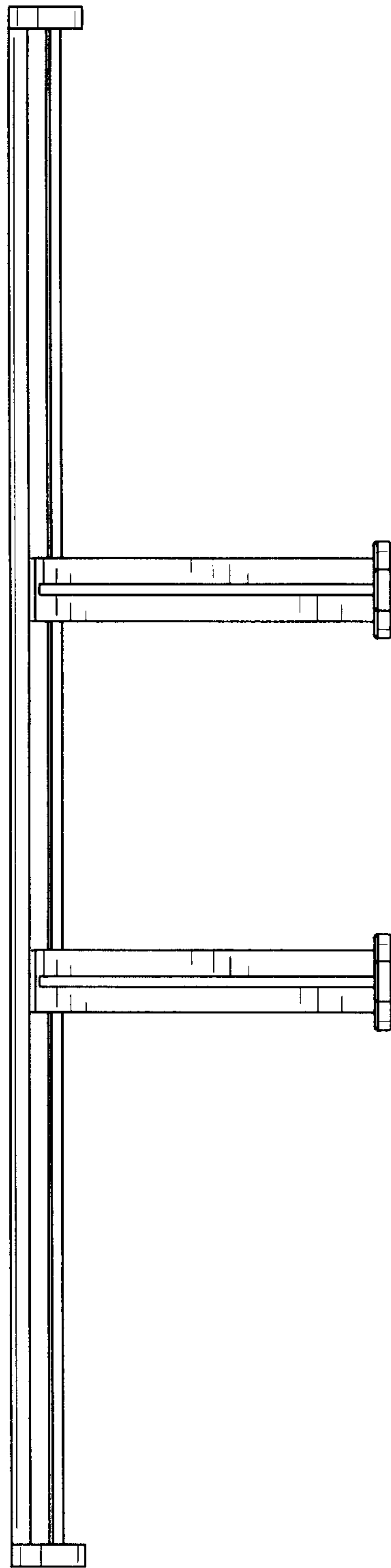


FIG. 2

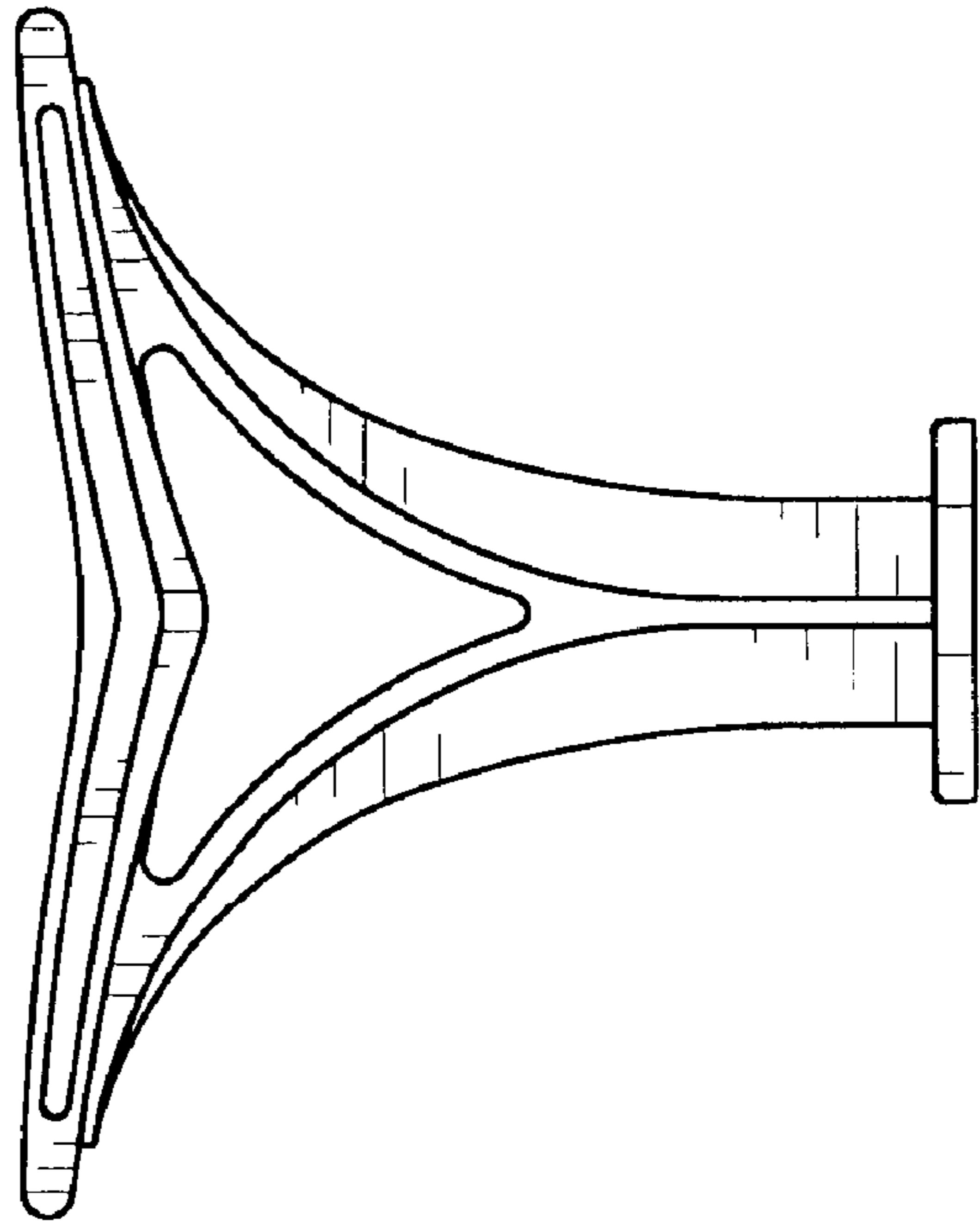


FIG. 3

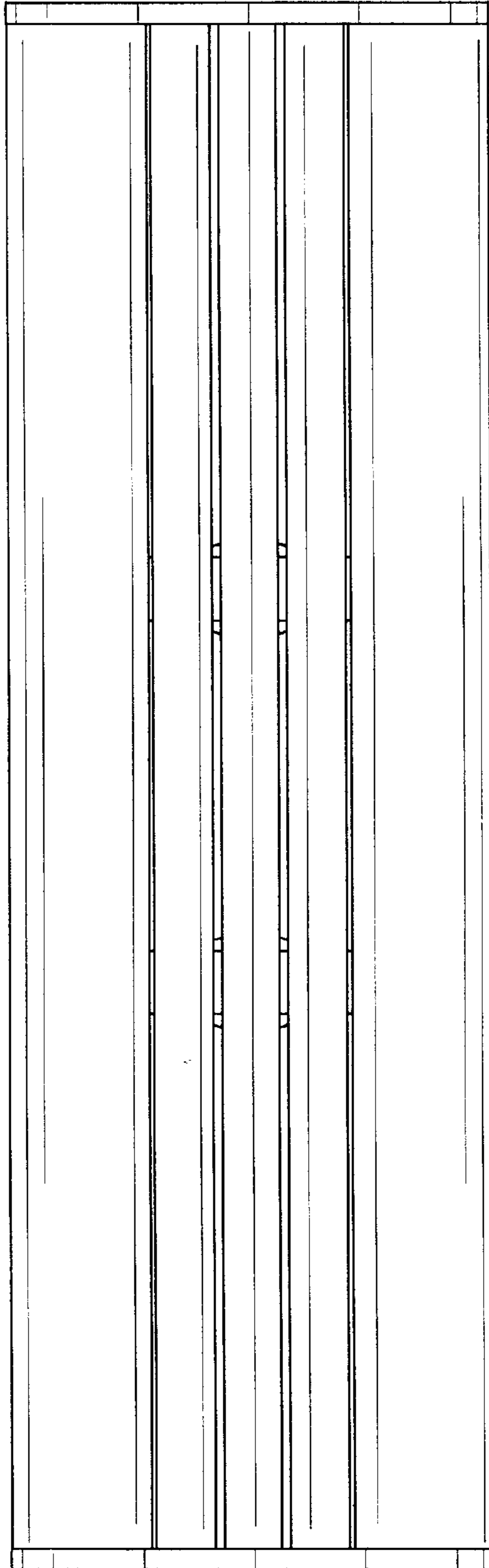


FIG. 4