



US00D481208S

(12) **United States Design Patent**
Scola

(10) **Patent No.:** **US D481,208 S**

(45) **Date of Patent:** **** Oct. 28, 2003**

(54) **PORTABLE CLOTHES VALET**

(76) Inventor: **Vito A. Scola**, 137 Apple Gate Rd.,
Cranston, RI (US) 02920

(**) Term: **14 Years**

(21) Appl. No.: **29/168,199**

(22) Filed: **Sep. 27, 2002**

(51) **LOC (7) Cl.** **06-08**

(52) **U.S. Cl.** **D6/317; D6/319**

(58) **Field of Search** D6/315, 317-320,
D6/325-328, 513, 343; 297/188.03, 188.06;
211/85.3, 113, 119, 118, 181.1; 224/275,
313, 927

(56) **References Cited**

U.S. PATENT DOCUMENTS

928,980	A	*	7/1909	Kaufman et al.	223/92
1,722,122	A	*	7/1929	Wilson	211/106
2,596,745	A	*	5/1952	Waldman	223/88
D175,337	S	*	8/1955	Dion et al.	D6/343
D422,152	S	*	4/2000	Yeh	D6/317
6,260,750	B1	*	7/2001	Chiang	224/275

* cited by examiner

Primary Examiner—B. J. Bullock

(74) *Attorney, Agent, or Firm*—Salter & Michaelson

(57) **CLAIM**

The ornamental design for a portable clothes valet, as shown and described.

DESCRIPTION

FIG. 1 is a perspective view of a portable clothes valet showing my new design;

FIG. 2 is a front elevational view thereof;

FIG. 3 is a rear elevational view thereof;

FIG. 4 is a left end elevational view thereof;

FIG. 5 is a right end elevational view thereof;

FIG. 6 is a top plan view thereof;

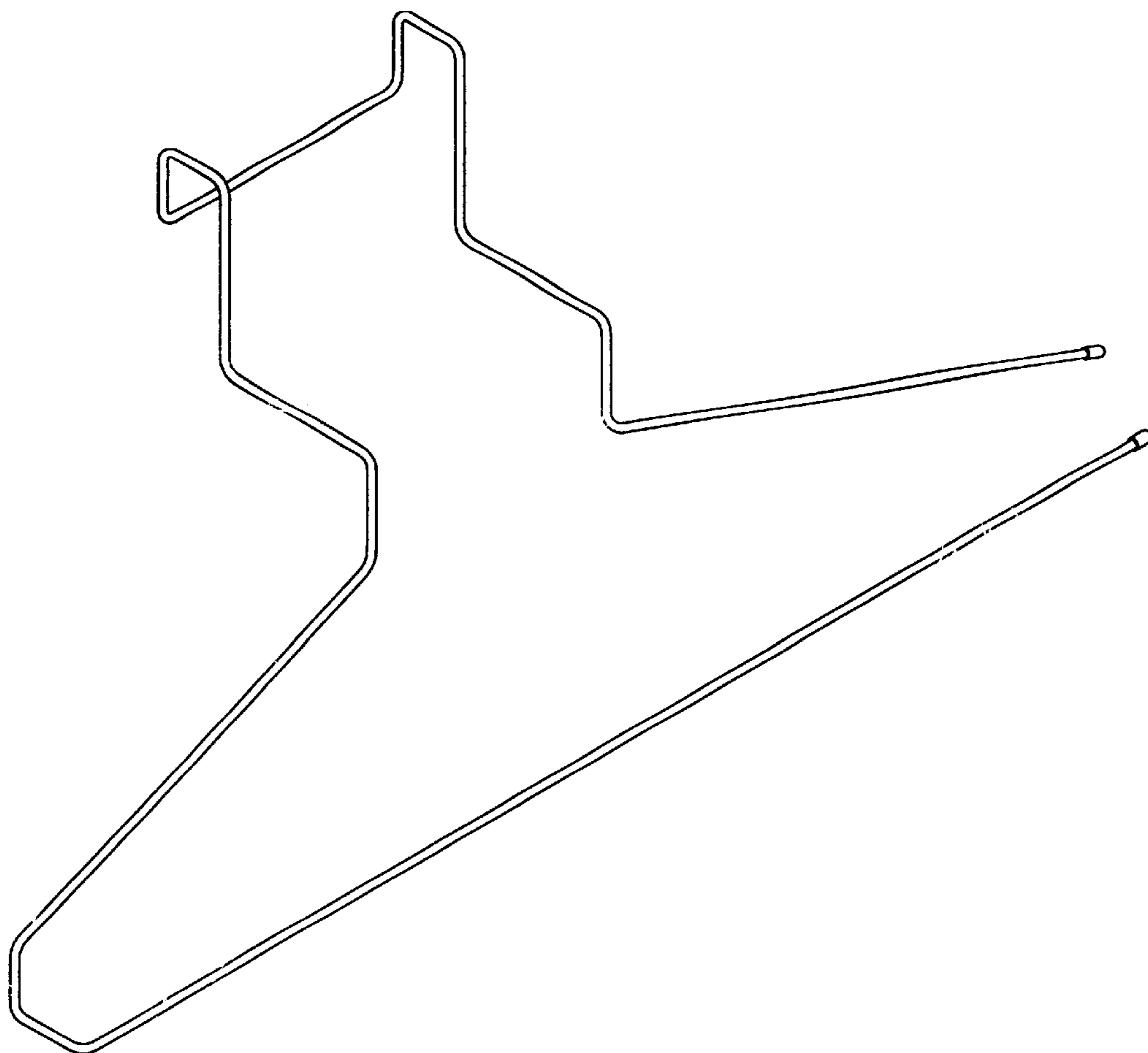
FIG. 7 is a bottom plan view thereof;

FIG. 8 is a perspective view thereof showing a clothes hanger mounted thereon; and,

FIG. 9 is a perspective view showing my portable clothes valet mounted on the top edge of a chest drawer with the valet supporting a jacket.

The portions shown in broken lines in FIGS. 8 and 9 are for information only and form no part of the instant design.

1 Claim, 6 Drawing Sheets



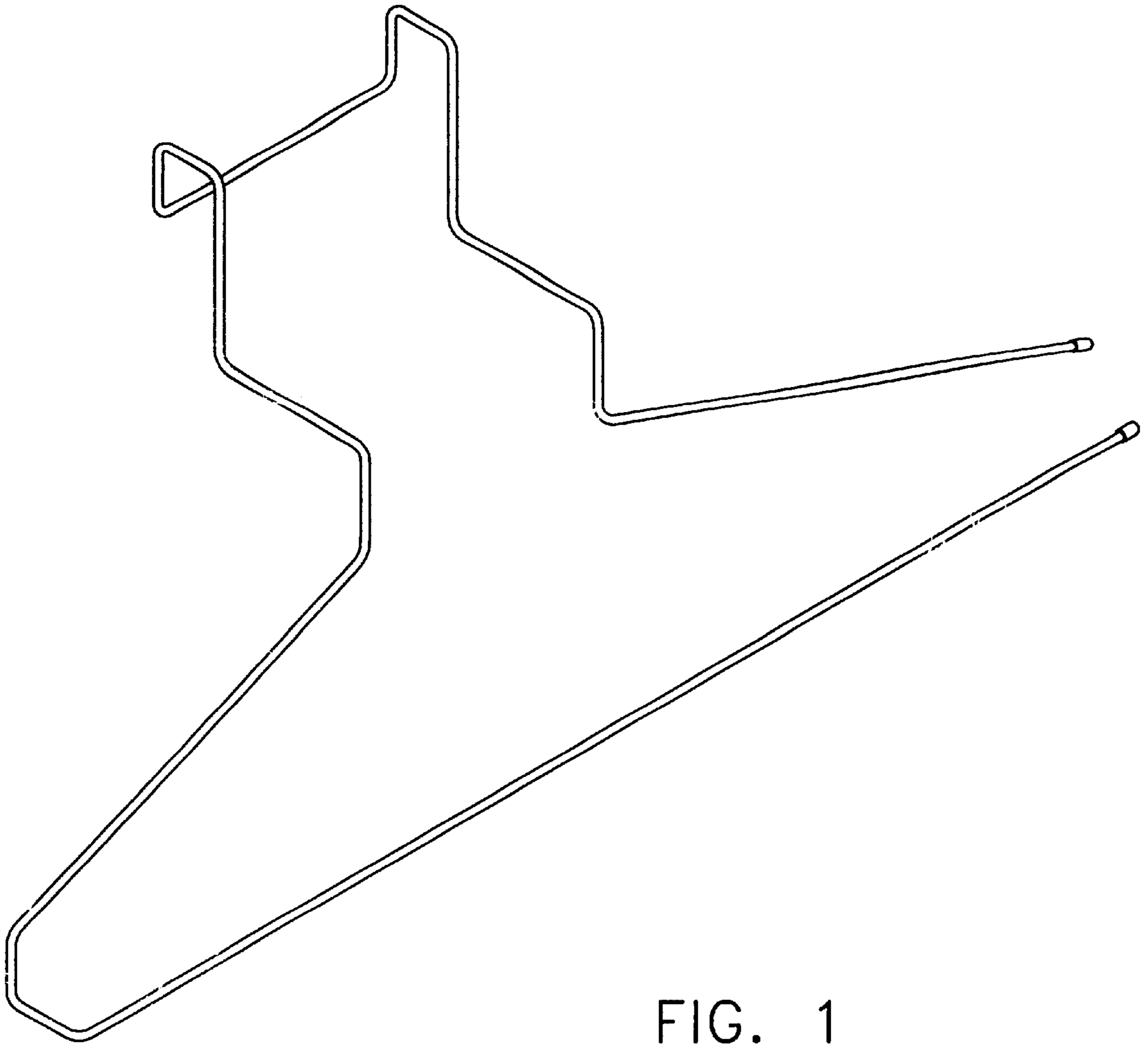


FIG. 1

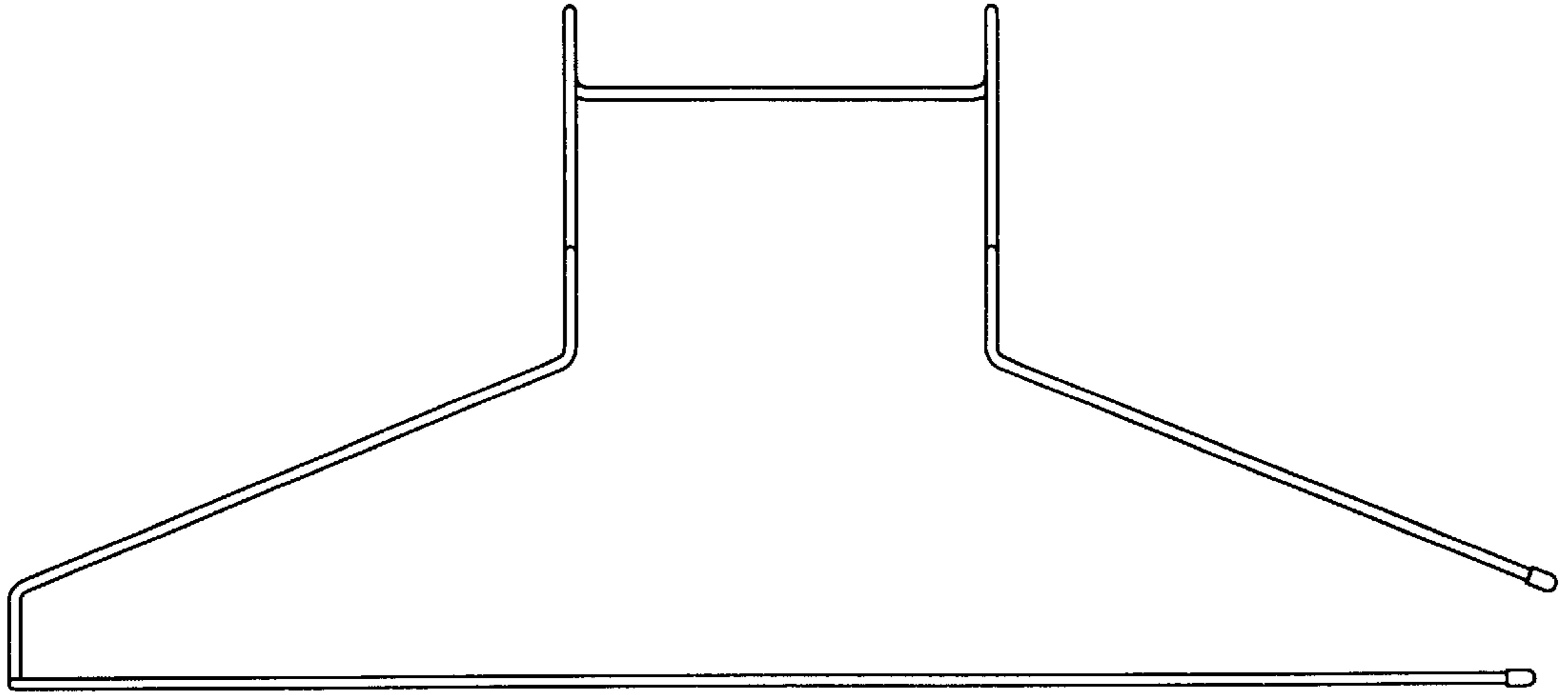


FIG. 2

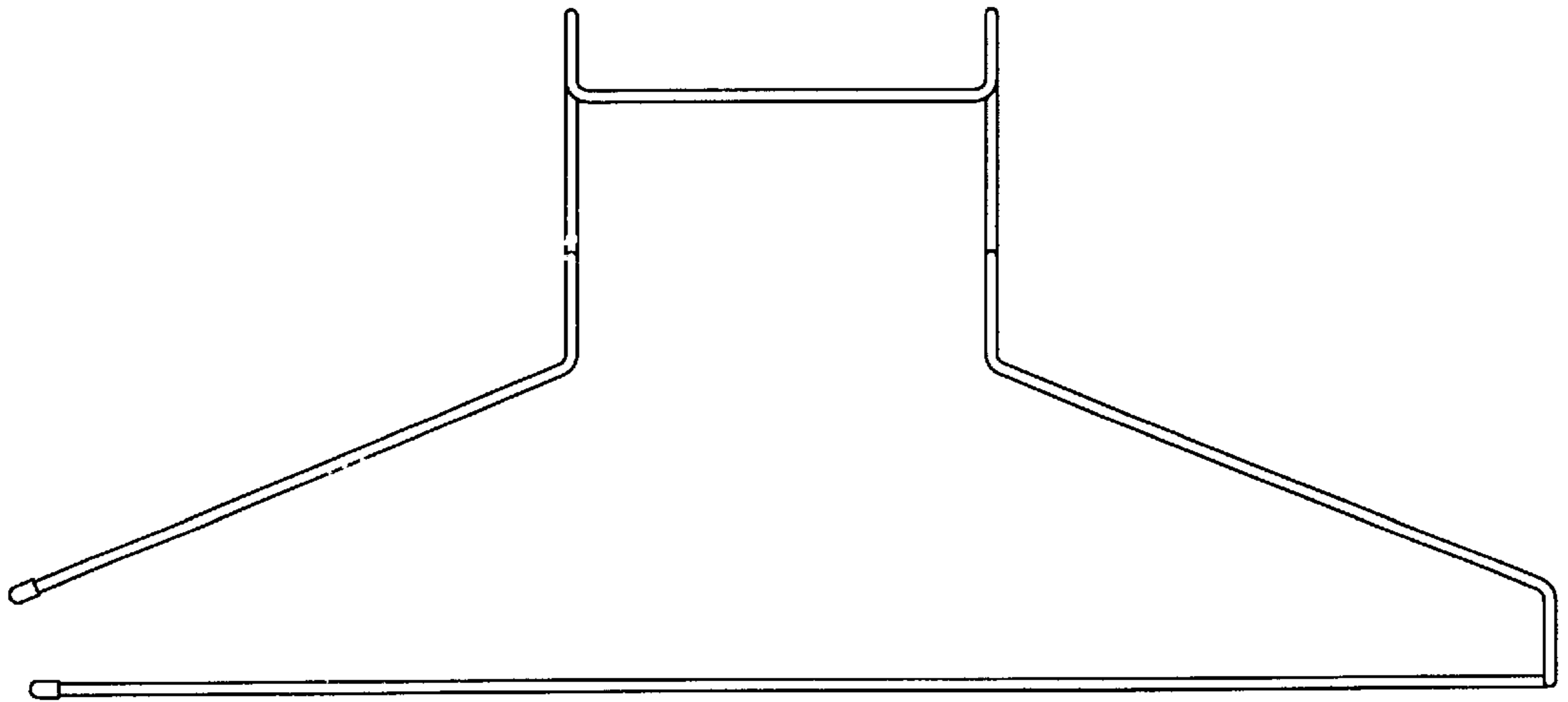


FIG. 3

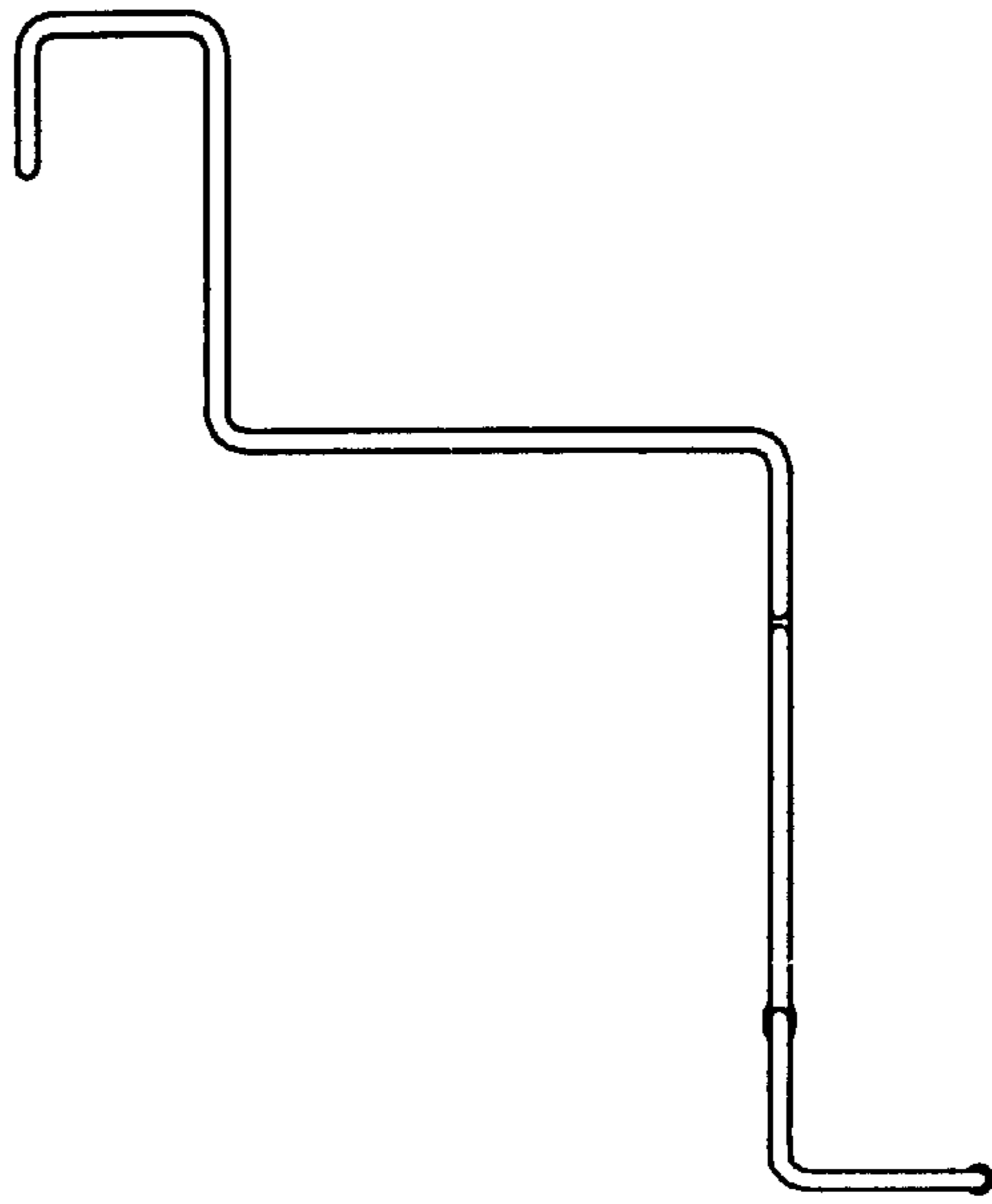


FIG. 4

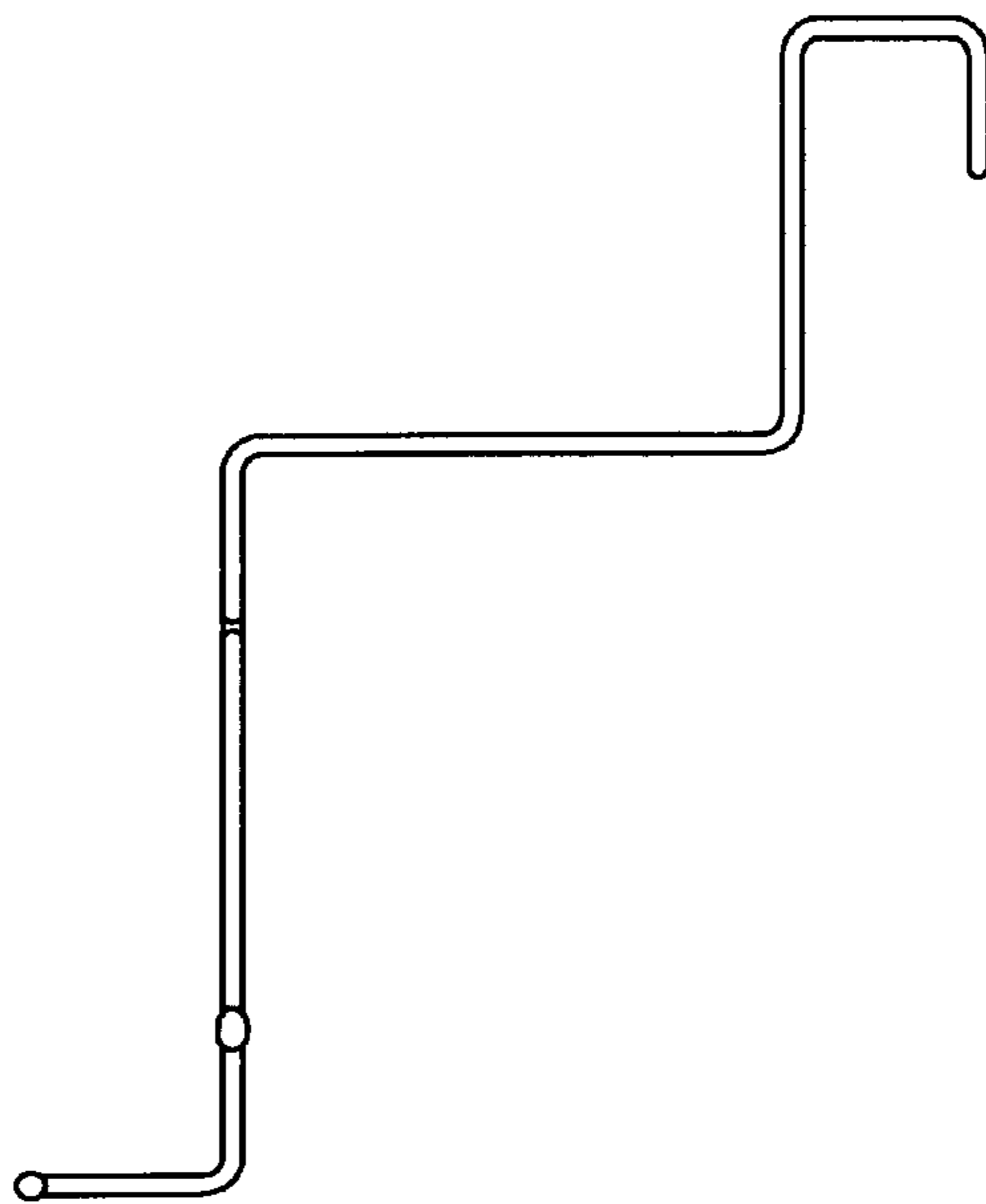


FIG. 5

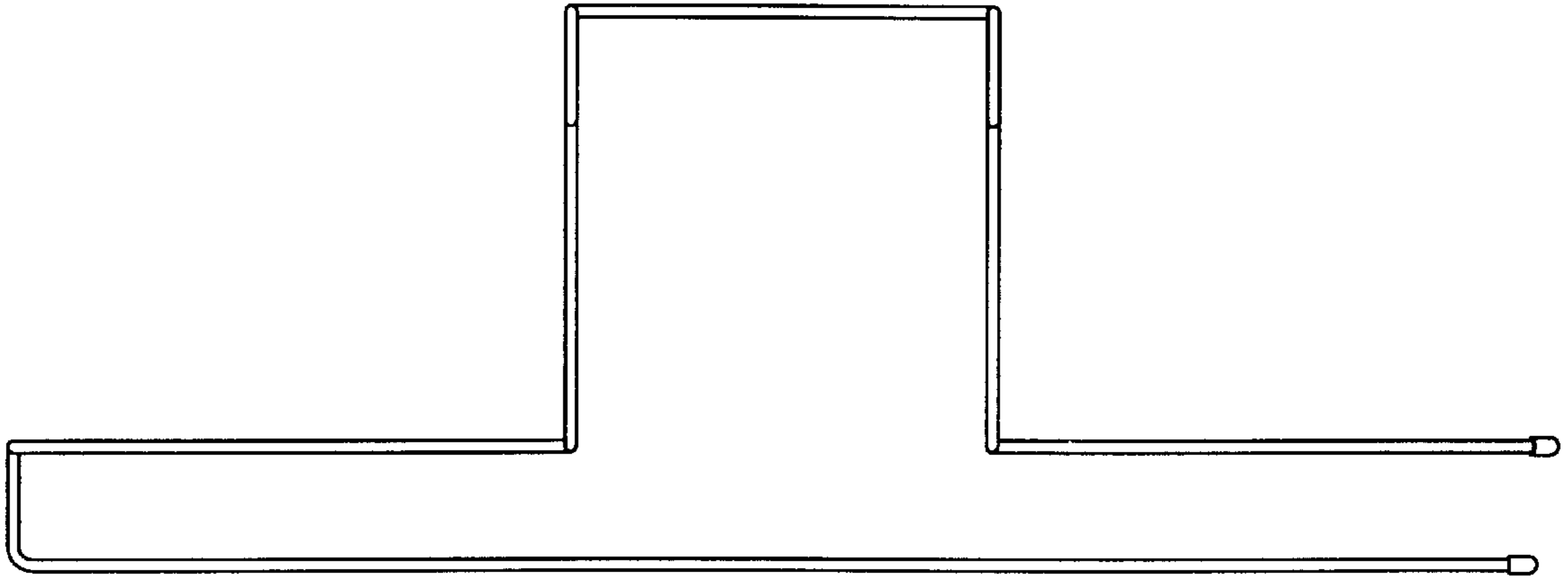


FIG. 6

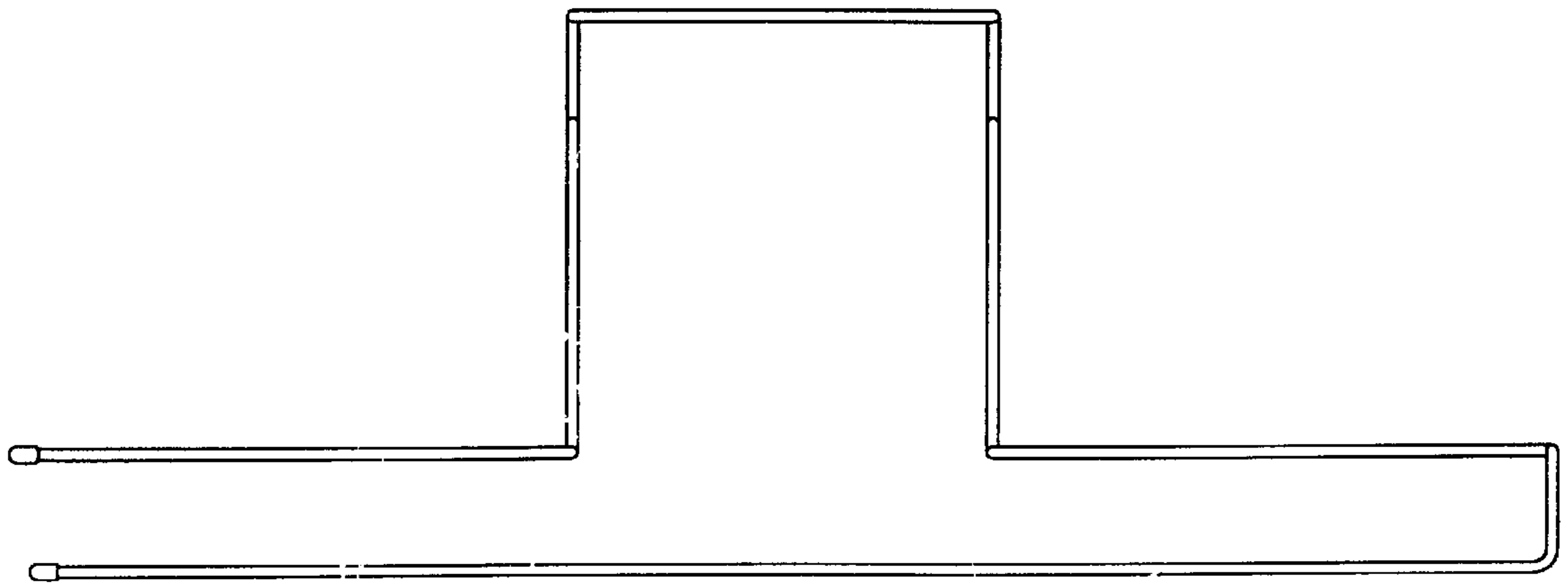


FIG. 7

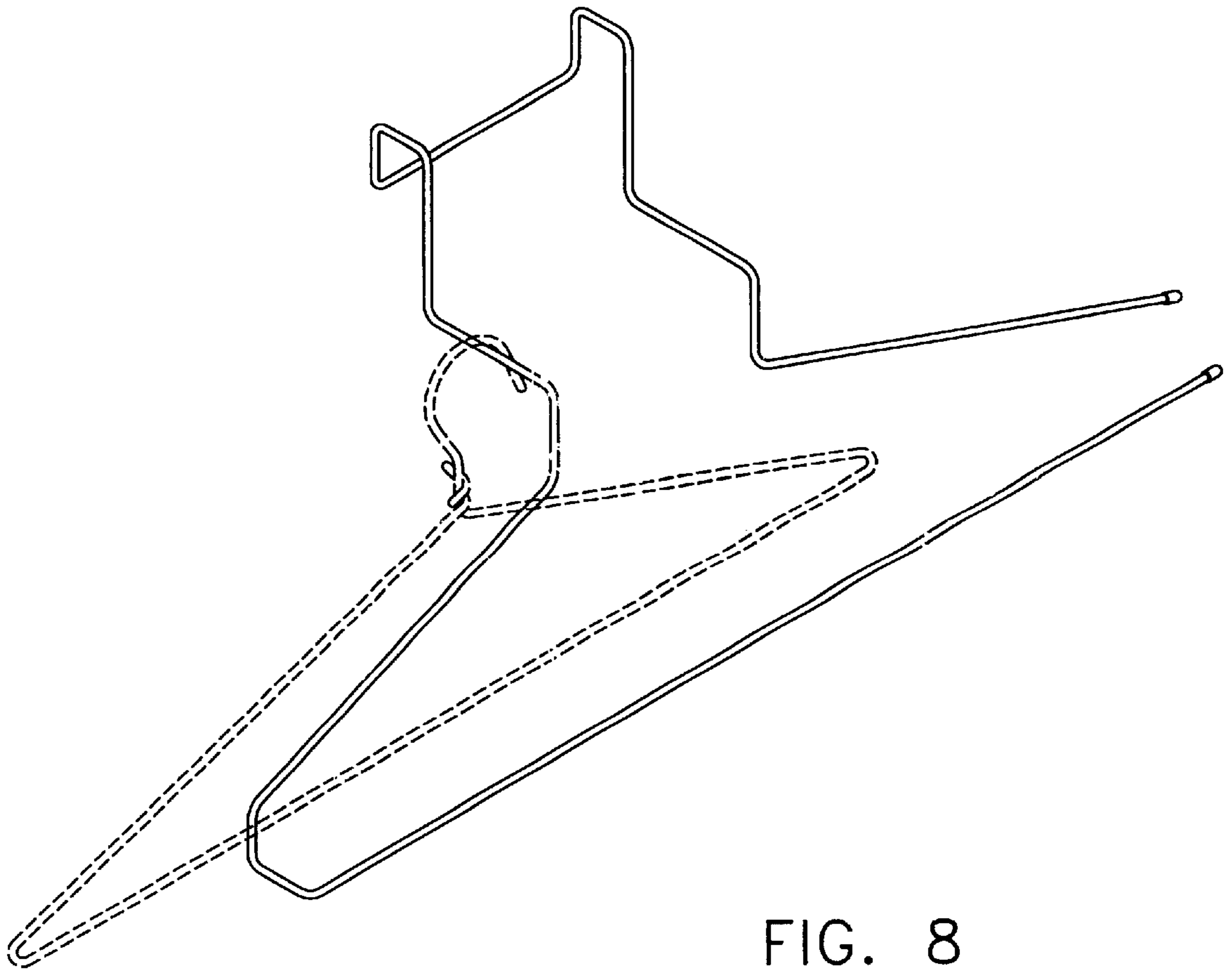


FIG. 8

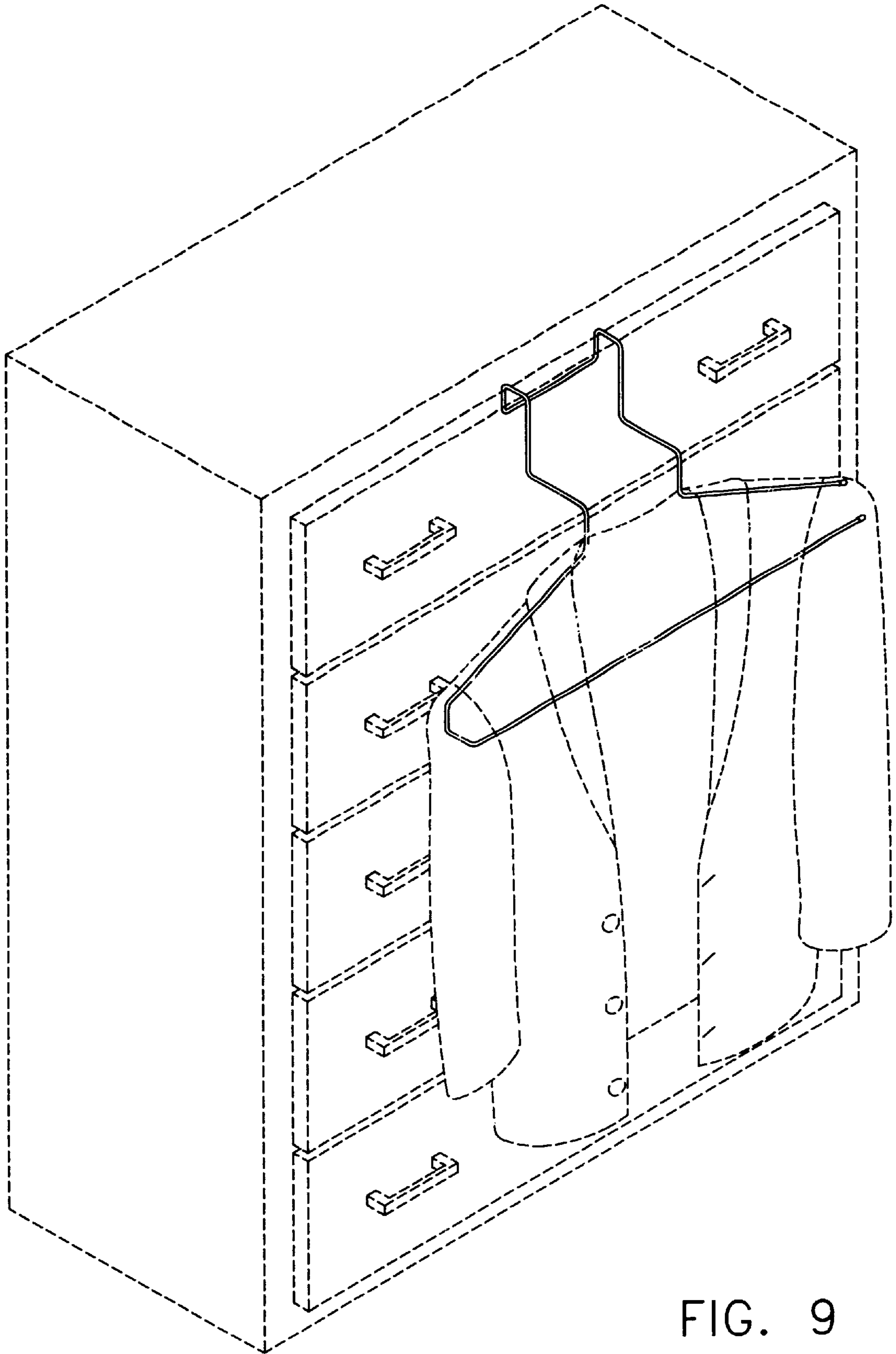


FIG. 9