



US00D481207S

(12) **United States Design Patent**  
**Sheldon et al.**

(10) **Patent No.:** **US D481,207 S**

(45) **Date of Patent:** **\*\* Oct. 28, 2003**

(54) **FRAME**

(75) Inventors: **Robert W. Sheldon**, Chicago, IL (US);  
**Gregory J. Foster**, Chicago, IL (US)

(73) Assignee: **Fellowes, Inc.**, Itasca, IL (US)

(\*\*) Term: **14 Years**

(21) Appl. No.: **29/163,523**

(22) Filed: **Jul. 9, 2002**

(51) **LOC (7) Cl.** ..... **06-07**

(52) **U.S. Cl.** ..... **D6/300**

(58) **Field of Search** ..... D6/300-302, 308-314;  
40/700, 711, 714-716, 720, 721, 722, 732,  
734, 765-767, 768, 790, 798, 701, 706,  
705, 707, 709, 710

(56) **References Cited**

**U.S. PATENT DOCUMENTS**

3,039,217	A	*	6/1962	Stefanak	.....	40/725
D372,591	S	*	8/1996	Brunner et al.	.....	D6/300
D410,150	S	*	5/1999	Plantz	.....	D6/312
D461,842	S	*	8/2002	Hattori	.....	D6/300 X

\* cited by examiner

*Primary Examiner*—Janice E. Seeger

(74) *Attorney, Agent, or Firm*—Pillsbury Winthrop LLP

(57) **CLAIM**

The ornamental design for a frame, as shown and described.

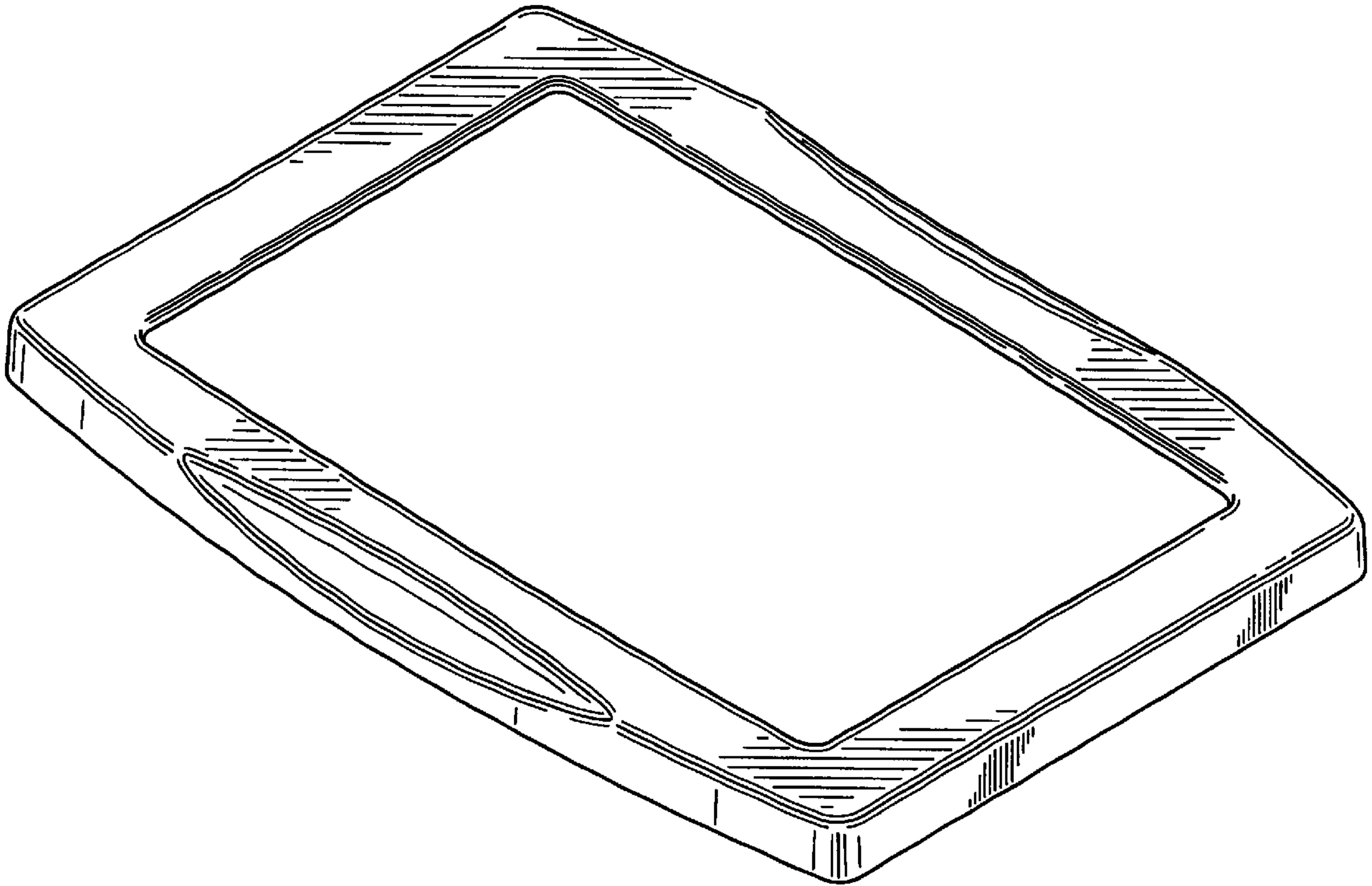
**DESCRIPTION**

A portion of the disclosure of this patent document contains material to which a claim for copyright is made. The copyright owner has no objection to the facsimile reproduction of the patent document or the patent disclosure, as it appears in the Patent and Trademark Office patent file or records, but reserves all other copyrights whatsoever.

FIG. 1 is a perspective view of a frame which is to be attached to a wall, such as a cubicle wall, embodying our new design, the frame being designed to hold a mirror or picture/photograph therein;

FIG. 2 is a front elevational view of the frame of FIG. 1; and, FIG. 3 is a right profile view of the file holder of FIG. 1, it being understood that the left profile view is essentially a mirror image of the right.

**1 Claim, 2 Drawing Sheets**



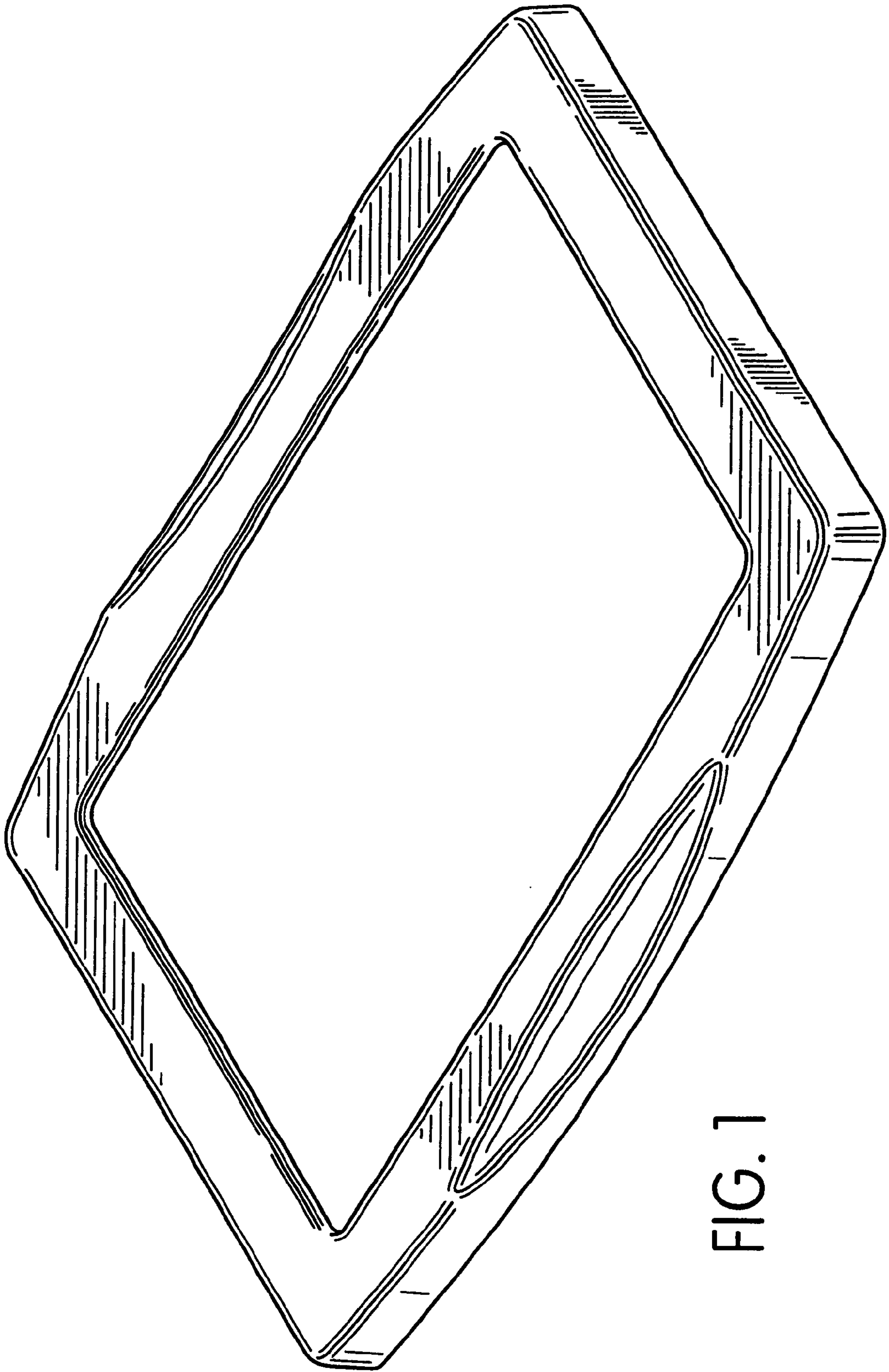


FIG. 1

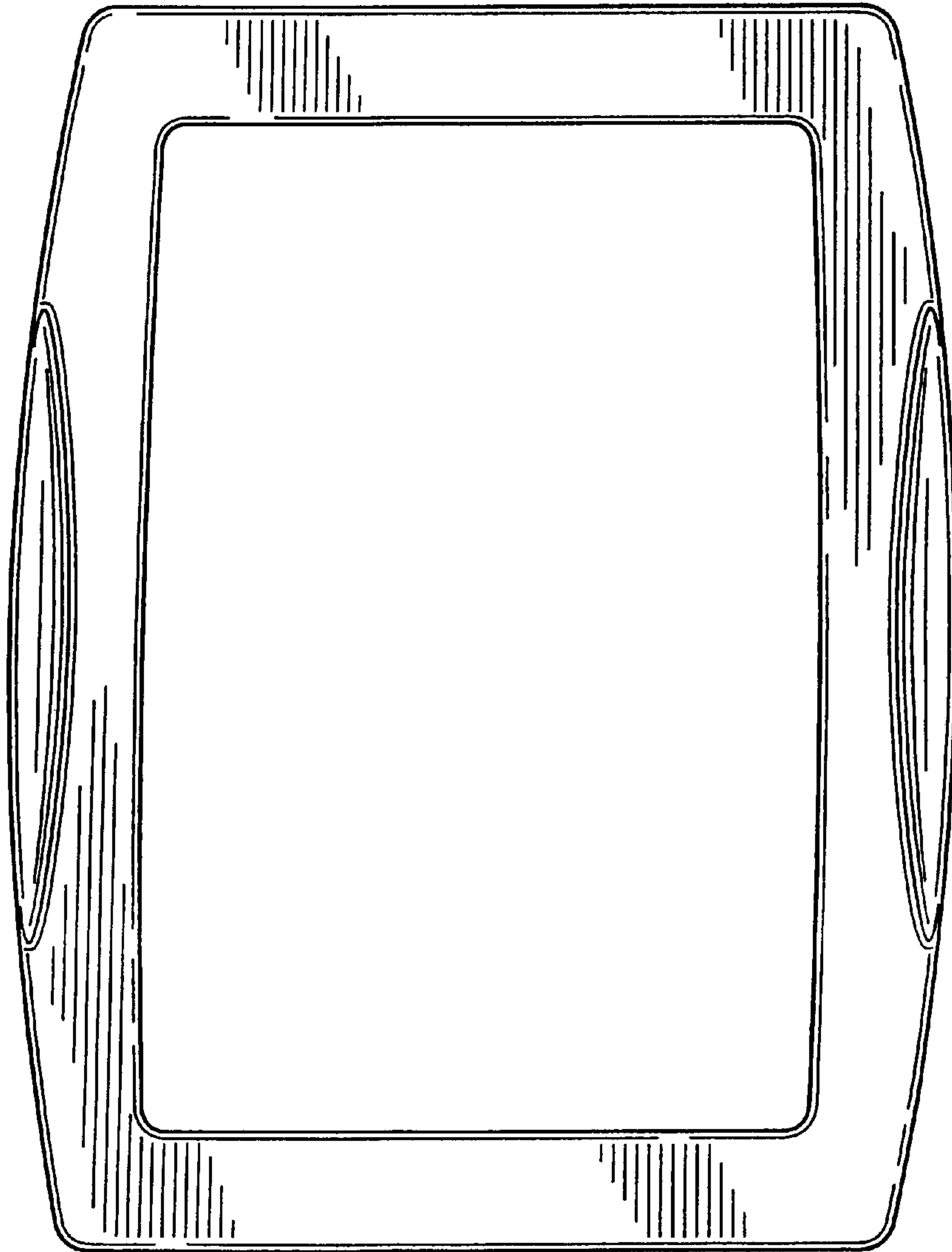


FIG. 2



FIG. 3