



US00D481204S

(12) **United States Design Patent**
Rada

(10) **Patent No.:** **US D481,204 S**

(45) **Date of Patent:** **** Oct. 28, 2003**

(54) **CARRY CASE FOR FILES, DOCUMENTS AND THE LIKE, HAVING MEANS FOR CARRYING HANGING FOLDERS OF THE LIKE**

(75) **Inventor:** **Georgene Rada**, East Northport, NY (US)

(73) **Assignee:** **United States Luggage, L.P.**, Hauppauge, NY (US)

(**) **Term:** **14 Years**

(21) **Appl. No.:** **29/172,726**

(22) **Filed:** **Dec. 17, 2002**

(51) **LOC (7) Cl.** **03-01**

(52) **U.S. Cl.** **D3/279; D3/283; D3/285**

(58) **Field of Search** **D3/273, 274, 276, D3/279, 283, 284, 285, 287, 289; 190/18 A, 100, 110, 111, 112, 113, 109**

(56) **References Cited**

U.S. PATENT DOCUMENTS

D381,511 S	*	7/1997	Krulik	D3/279
5,762,170 A	*	6/1998	Shyr et al.	190/109
D414,932 S	*	10/1999	Platte, III	D3/276
6,059,079 A	*	5/2000	Krulik	190/112
6,079,641 A	*	6/2000	Shinogle et al.	239/533.4
6,109,403 A	*	8/2000	Godshaw	190/115
D455,262 S	*	4/2002	Krulik	D3/279

D463,910 S * 10/2002 Tehan D3/279

* cited by examiner

Primary Examiner—Philip S. Hyder

(74) *Attorney, Agent, or Firm*—Abelman, Frayne & Schwab

(57) **CLAIM**

The ornamental design for a carry case for files, documents and the like, having means for carrying hanging folders or the like, as shown and described.

DESCRIPTION

FIG. 1 is a top, front and left side perspective view of the carry case for files, documents and the like, having means for carrying hanging folders or the like according to the present invention.

FIG. 2 is a top plan view thereof;

FIG. 3 is a front elevational view thereof;

FIG. 4 is a right side elevational view thereof;

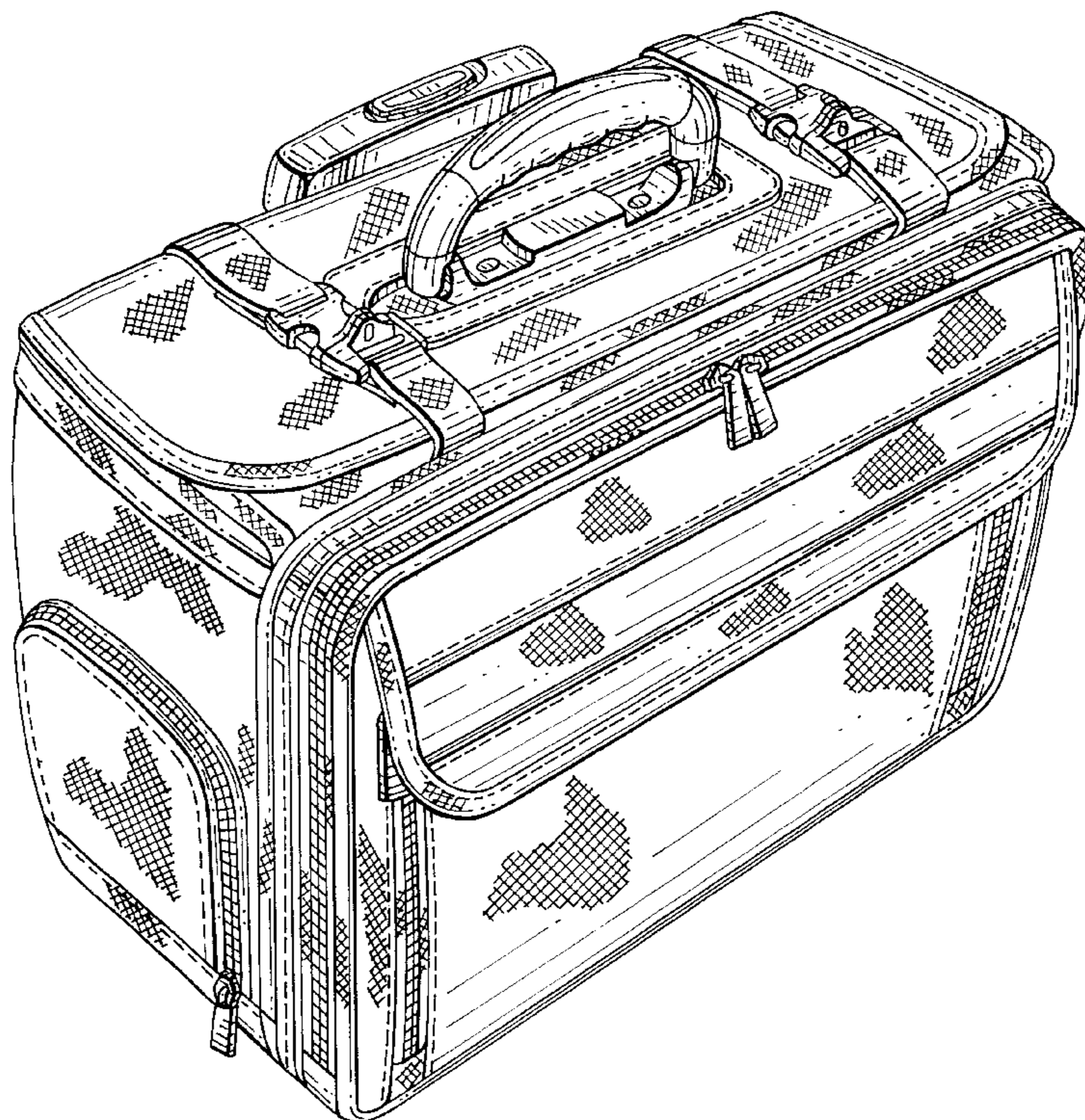
FIG. 5 is a rear elevational view thereof;

FIG. 6 is a bottom plan view thereof;

FIG. 7 is a top rear and left side perspective view of the carry case of FIG. 1 with the closure flaps in an open condition illustrating the interior thereof; and,

FIG. 8 is a top front and left side perspective view of the carry case of FIG. 1 with the telescoping handle in the extended position.

1 Claim, 8 Drawing Sheets



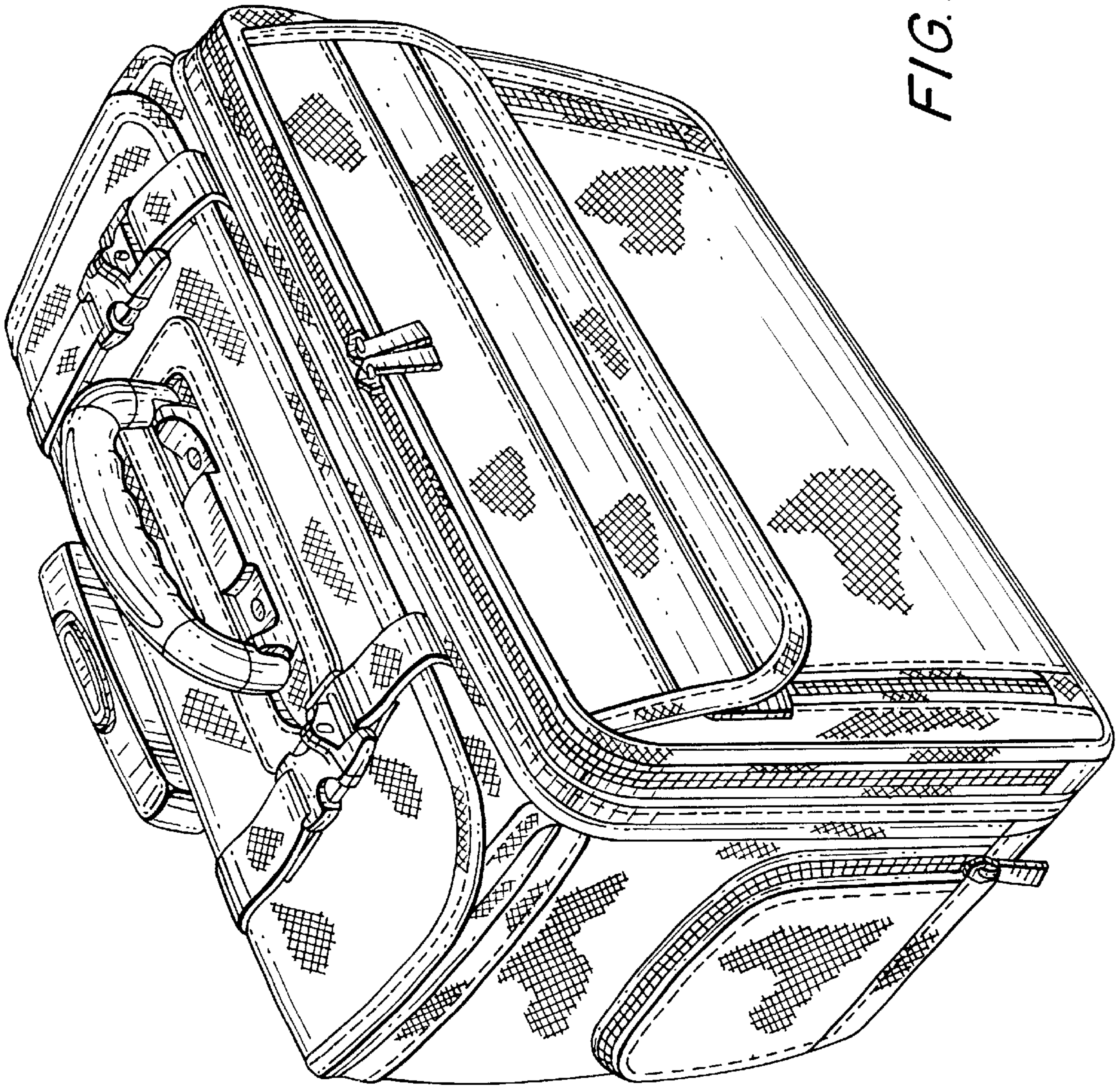


FIG. 1

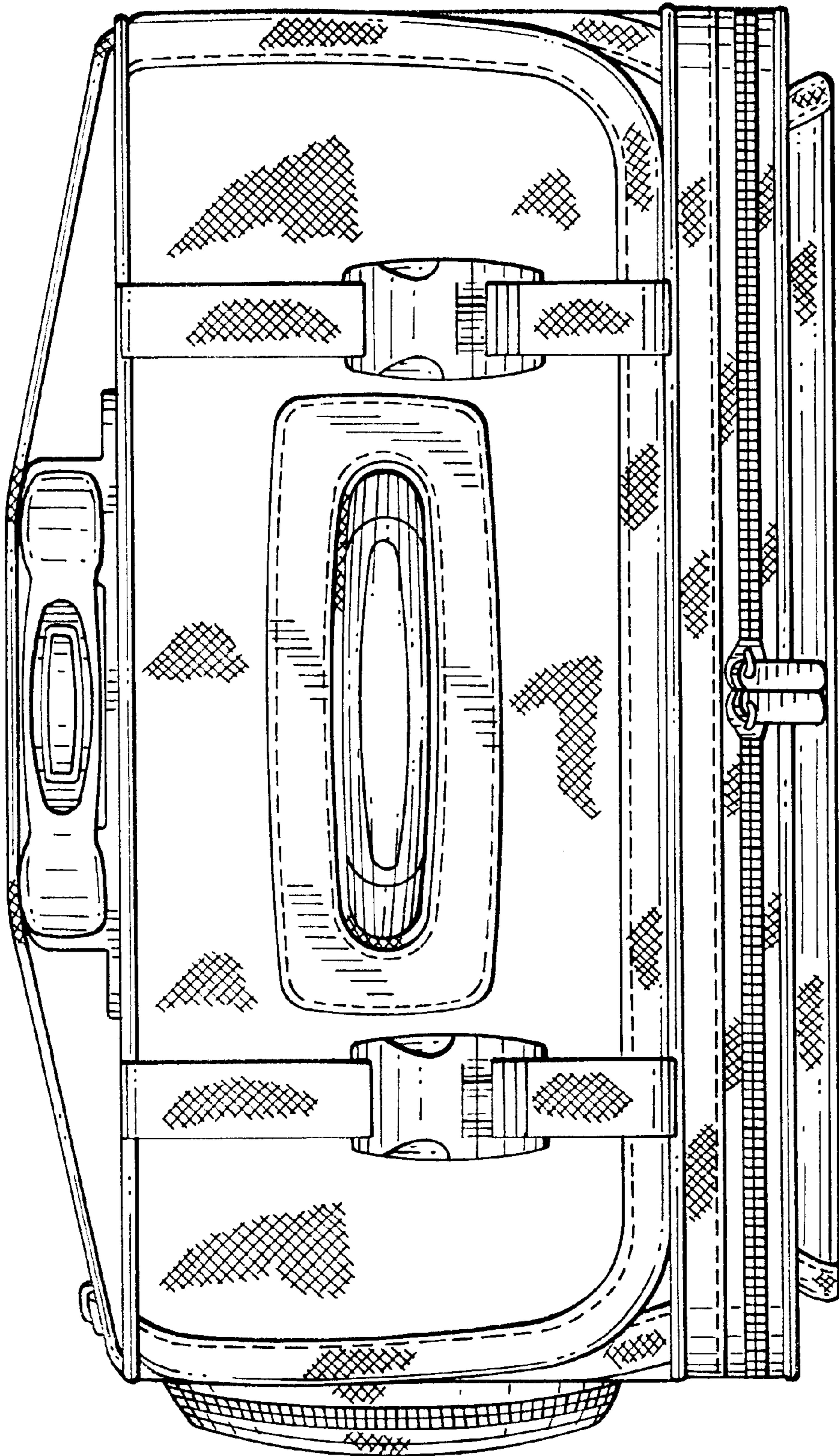
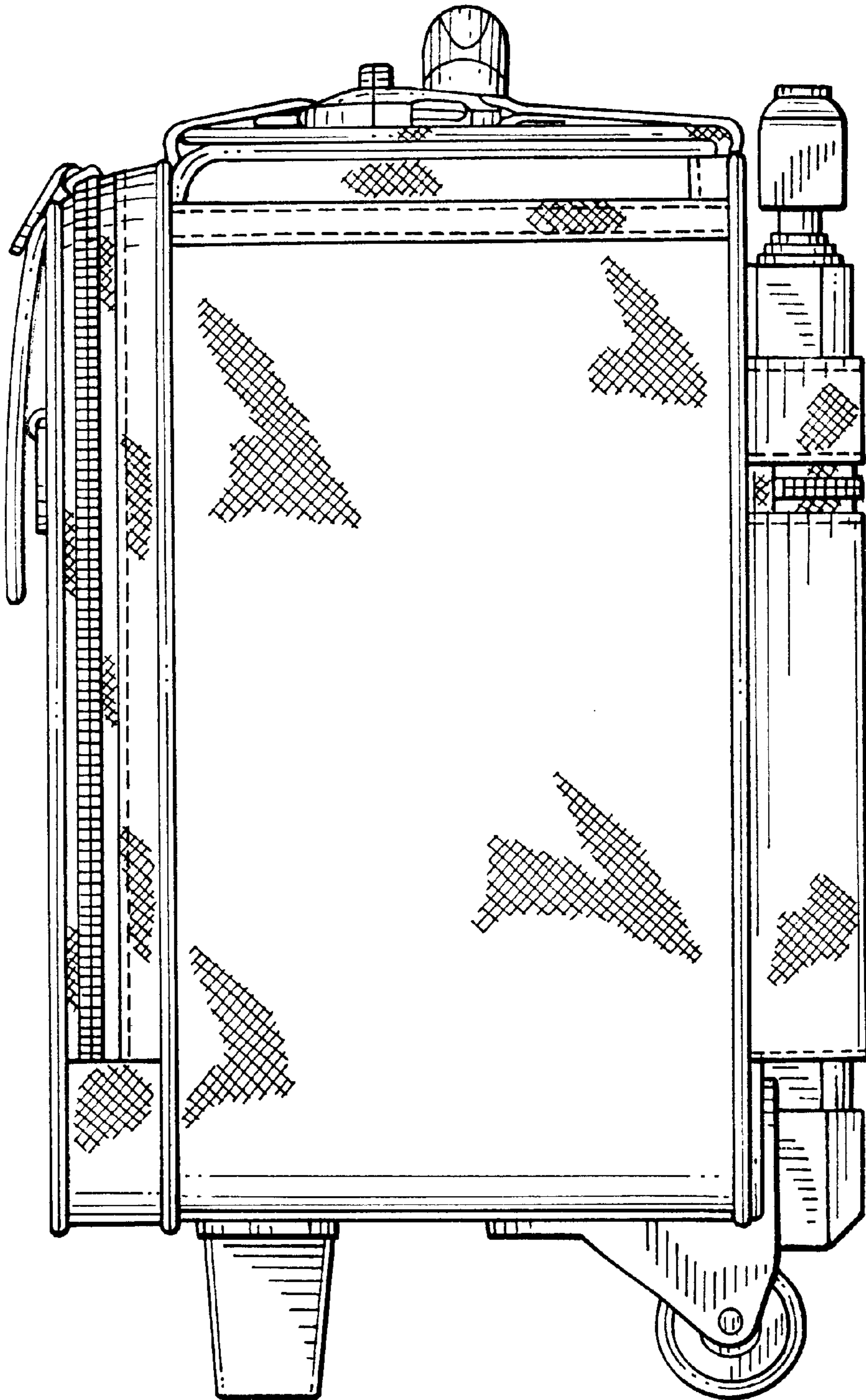


FIG. 2



FIG. 3

FIG. 4



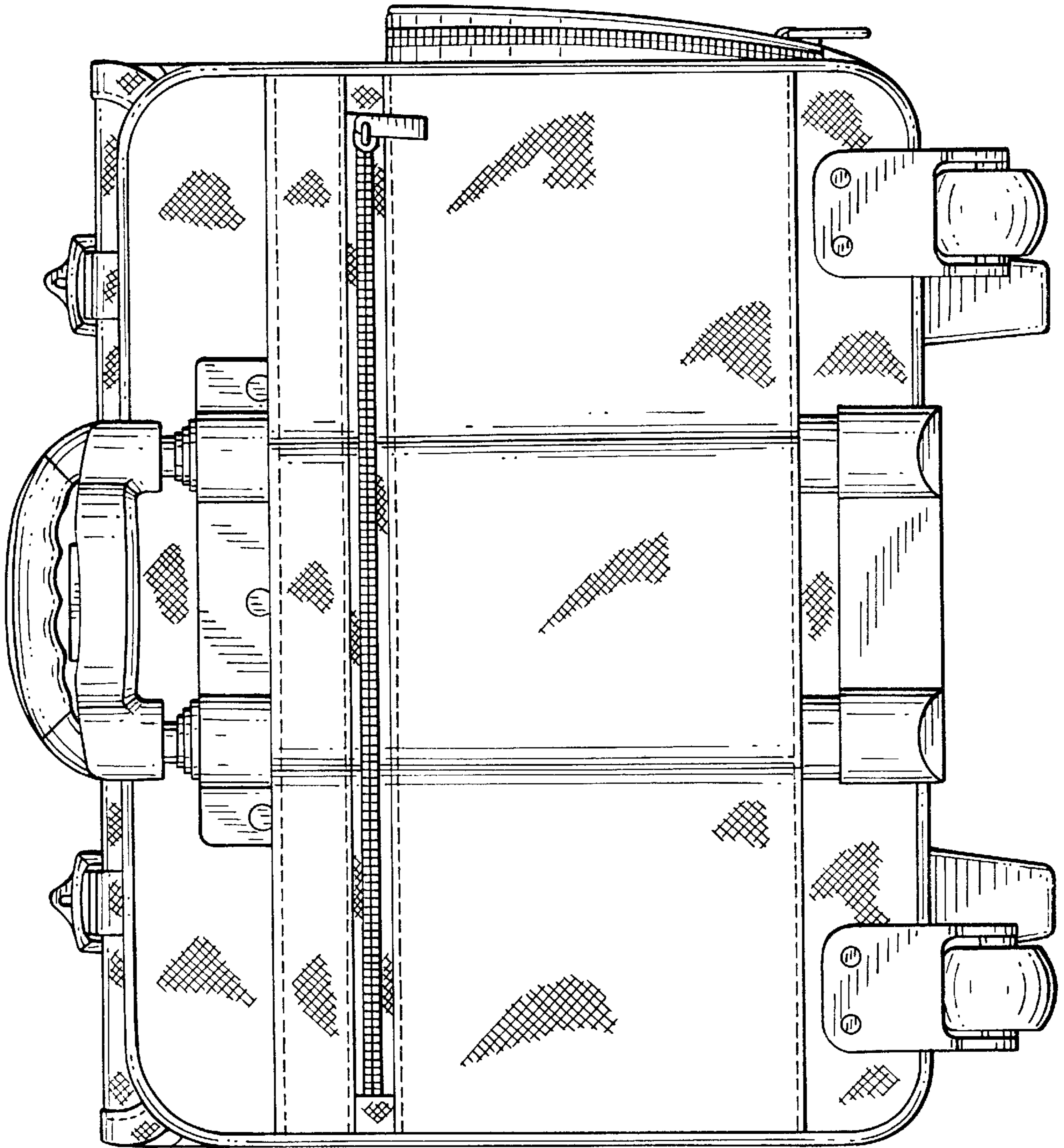


FIG. 5

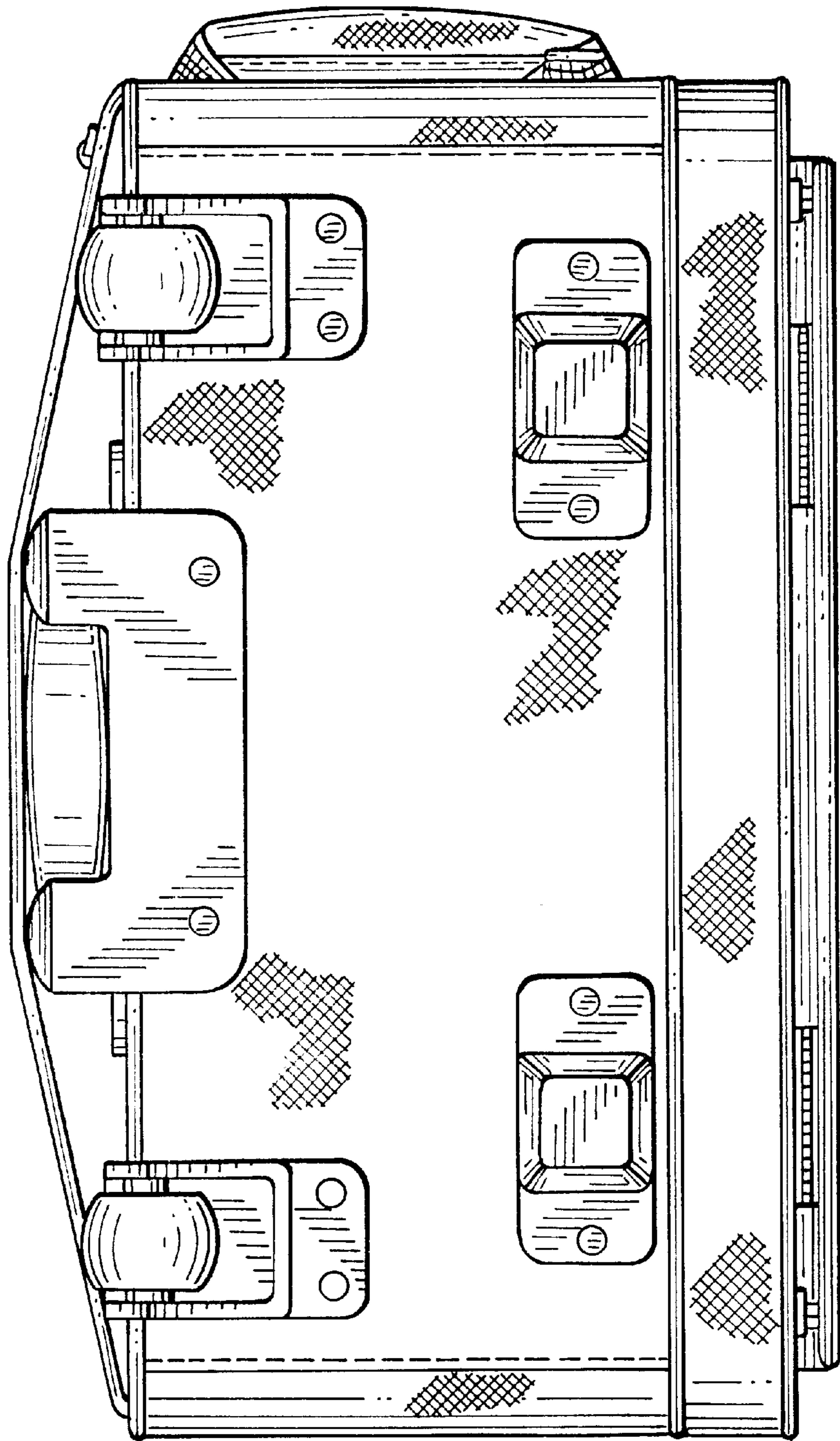
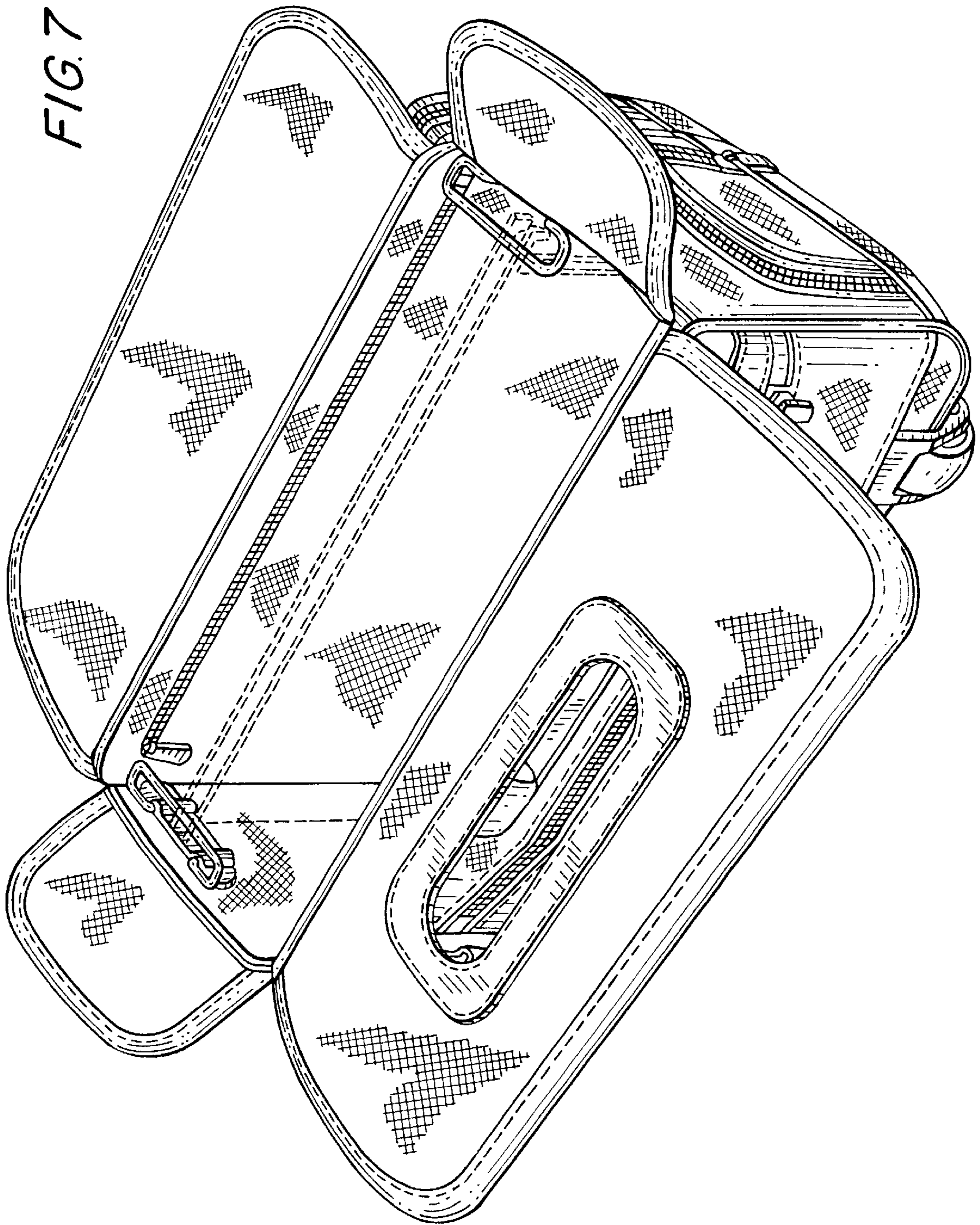


FIG. 6



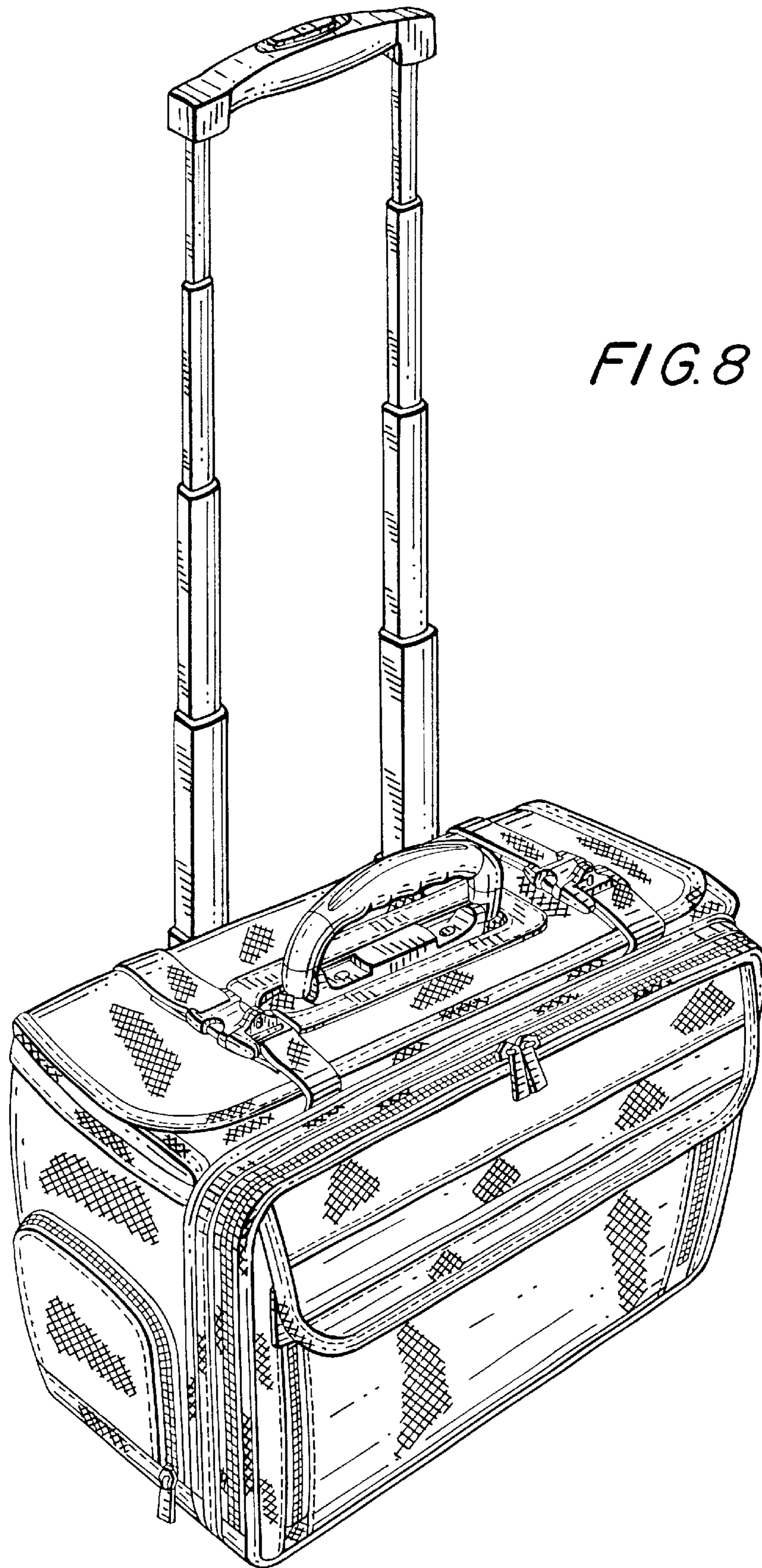


FIG. 8