



US00D481188S

(12) **United States Design Patent** (10) **Patent No.:** **US D481,188 S**  
**DiGiacomo, Jr. et al.** (45) **Date of Patent:** **\*\* Oct. 21, 2003**

(54) **OFFICE CLEANING CART**

(75) Inventors: **Alex P. DiGiacomo, Jr.**, Akron, OH (US); **Douglas S. Hardesty**, Akron, OH (US)

(73) Assignee: **Akro-Mils, a division of Myers Industries, Inc.**, Akron, OH (US)

(\*\*) Term: **14 Years**

(21) Appl. No.: **29/174,368**

(22) Filed: **Jan. 16, 2003**

**Related U.S. Application Data**

(63) Continuation-in-part of application No. 29/157,579, filed on Feb. 6, 2002, now Pat. No. Des. 469,235.

(51) **LOC (7) Cl.** ..... **12-02**

(52) **U.S. Cl.** ..... **D34/21; D34/12**

(58) **Field of Search** ..... **D34/12-27; D6/477, D6/479; 280/47.34, 47.35, 47.26, 47.28, 79.11, 79.2**

(56) **References Cited**

**U.S. PATENT DOCUMENTS**

D137,626 S	4/1944	Adams
4,743,040 A	5/1988	Breveglieri et al.
D302,064 S	7/1989	Delmerico
4,869,518 A	9/1989	Breveglieri et al.
4,888,849 A	12/1989	Hult et al.
4,923,202 A	5/1990	Breveglieri et al.
5,074,571 A	12/1991	Reese
D361,188 S	8/1995	Perelli
5,671,933 A	9/1997	Tucker
D395,108 S	6/1998	Pool
5,913,528 A	6/1999	Kresse et al.
D415,867 S	10/1999	Perelli
D426,691 S	6/2000	Johnson et al.
6,138,558 A	10/2000	Harrington

**OTHER PUBLICATIONS**

Geerpress Housekeeping Cart, Model Escort RX, on sale at least as early as Feb. 1, 2000.

Geerpress Housekeeping Cart, Model Escort, on sale at least as early as Feb. 1, 2000.

Rubbermaid Housekeeping Cart, Model No. 6172-88, on sale at least as early as Feb. 1, 2000.

Rubbermaid Janitor Carts, Model Nos. 6173-02, 6173, on sale at least as early as Feb. 1, 2000.

Royce Rolls Housekeeping Cart, on sale at least as early as Feb. 1, 2000.

Rubbermaid Housekeeping Cart, Model No. 6190/6192, on sale at least as early as Feb. 1, 2000.

*Primary Examiner*—Kay H. Chin

(74) *Attorney, Agent, or Firm*—Hahn Loeser & Parks LLP; Michael H. Minns

(57) **CLAIM**

The ornamental design for a office cleaning cart, as shown and described.

**DESCRIPTION**

FIG. 1 is a perspective view of the office cleaning cart of the present invention;

FIG. 2 is a right side view of the office cleaning cart of the present invention, the left side being a mirror image thereof;

FIG. 3 is a front view of the office cleaning cart of the present invention;

FIG. 4 is a back view of the office cleaning cart of the present invention;

FIG. 5 is a top view of the office cleaning cart of the present invention; and,

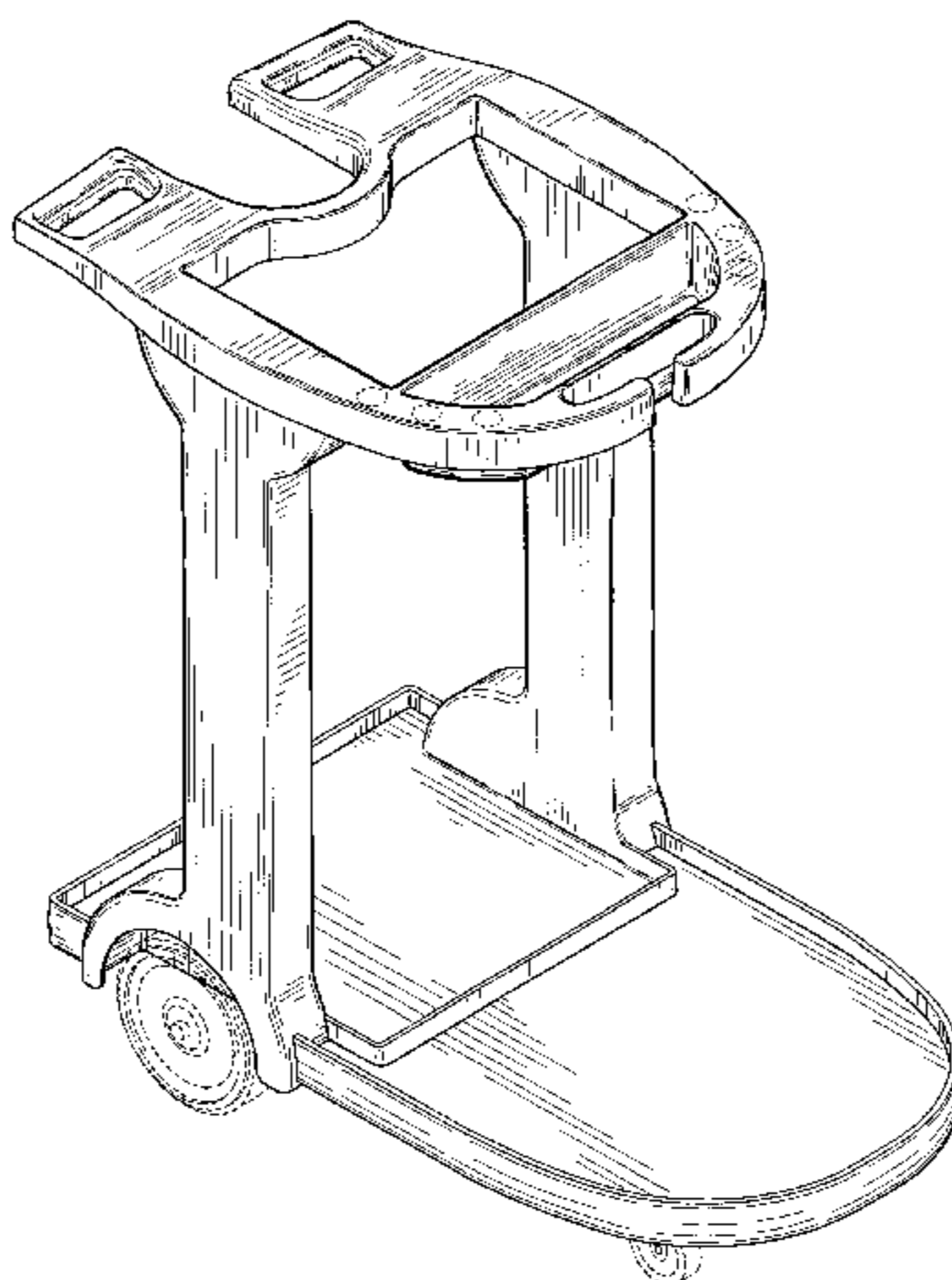
FIG. 6 is a second perspective view of the office cleaning cart of the present invention, showing a refuse bag for use with the office cleaning cart in broken lines.

The bottom view is unornamented and is therefore not shown.

The broken line disclosure is for illustrative purposes only and forms no part of the claimed design.

The surface(s) or portion(s) of the article not shown in the drawings or described in the specification form(s) no part of the claimed design.

**1 Claim, 5 Drawing Sheets**



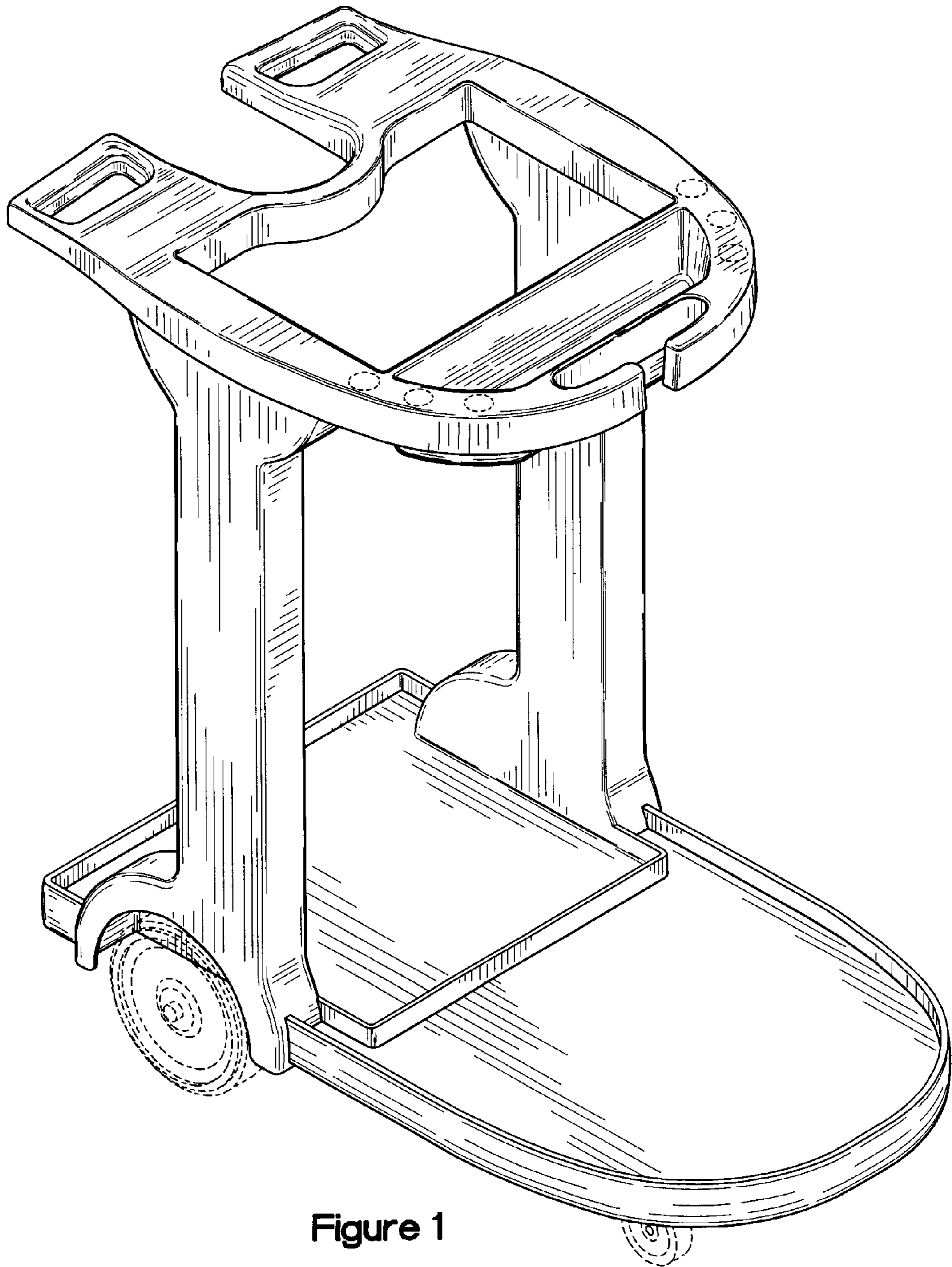


Figure 1

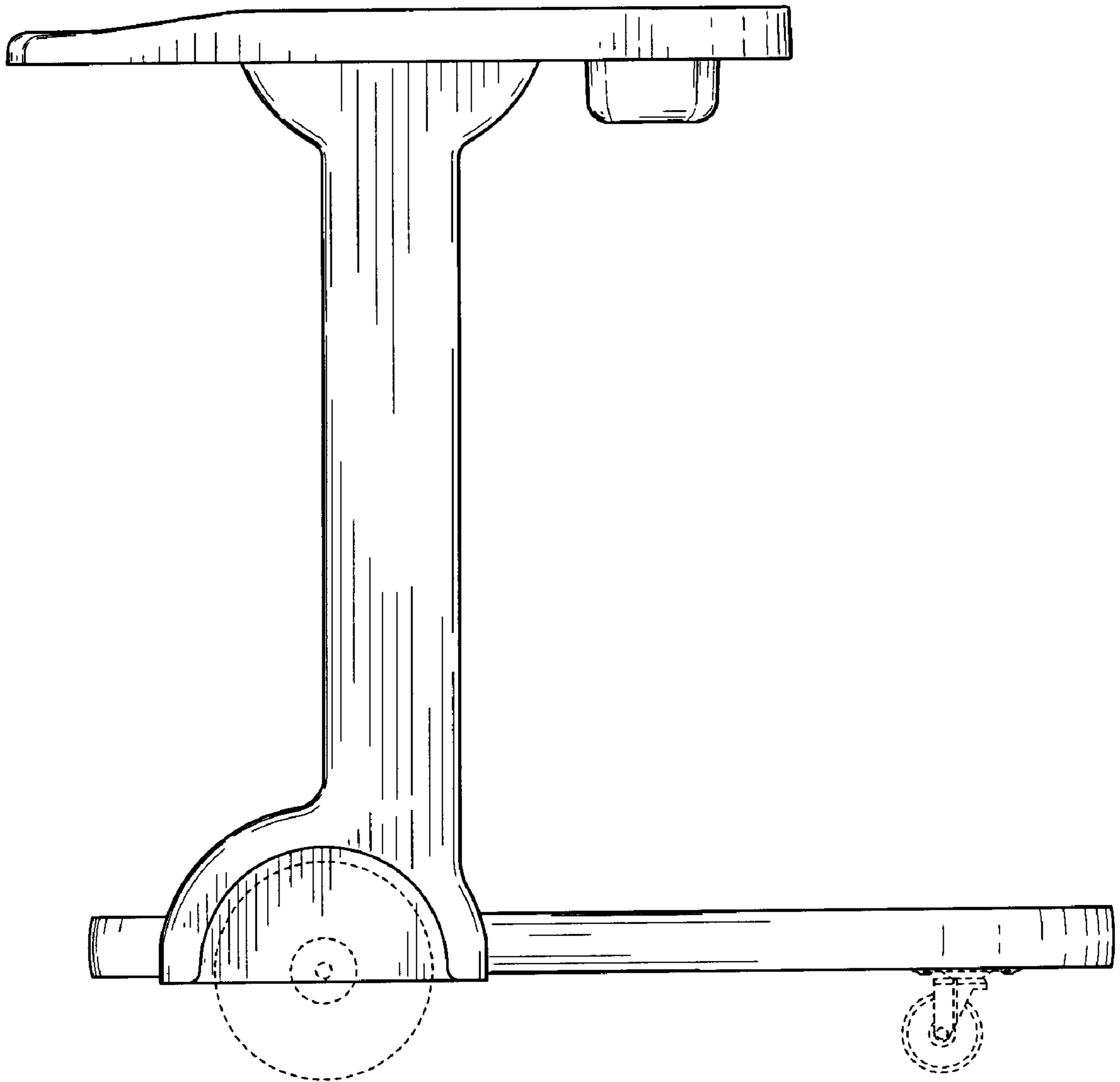


Figure 2

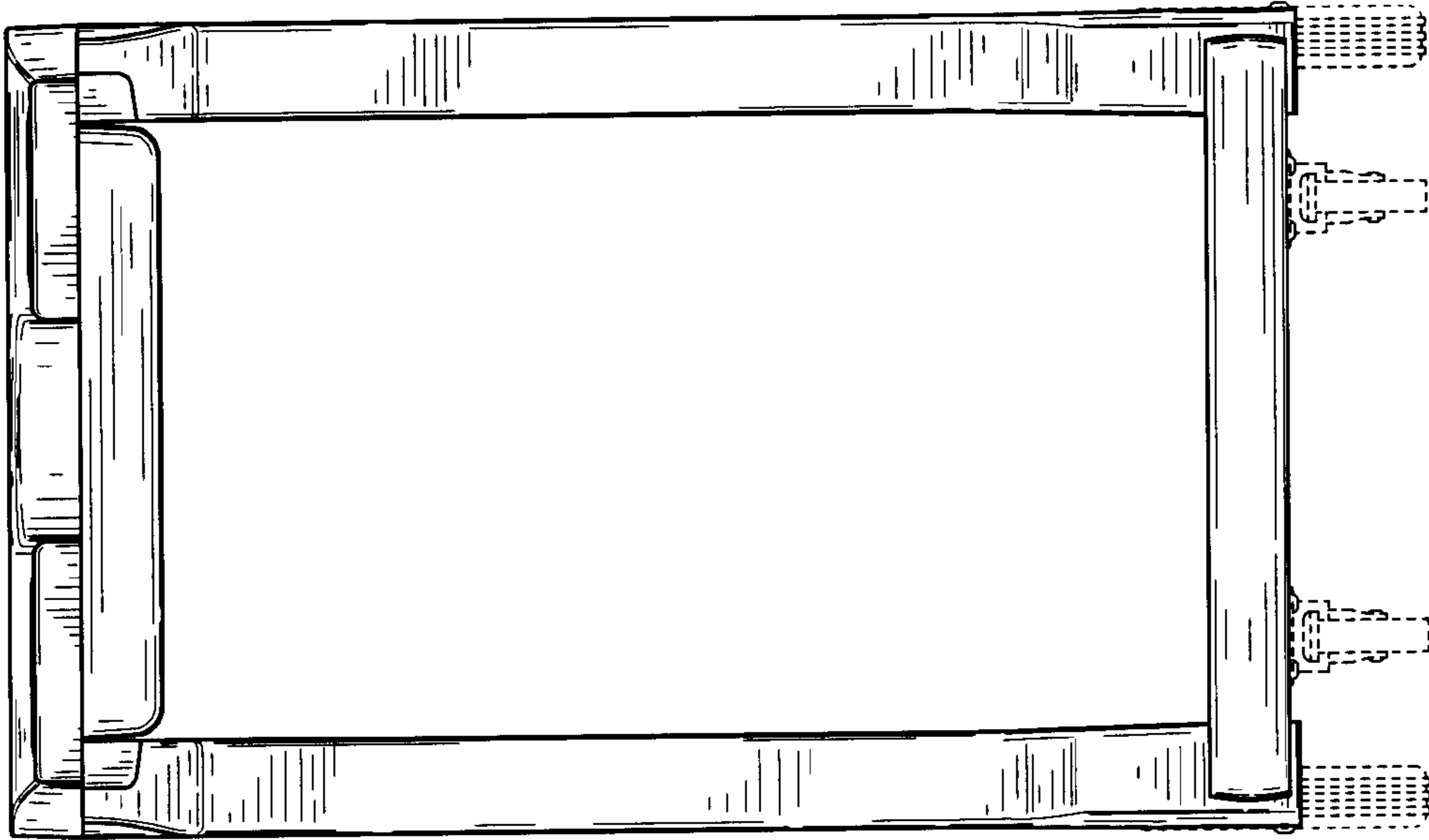


Figure 4

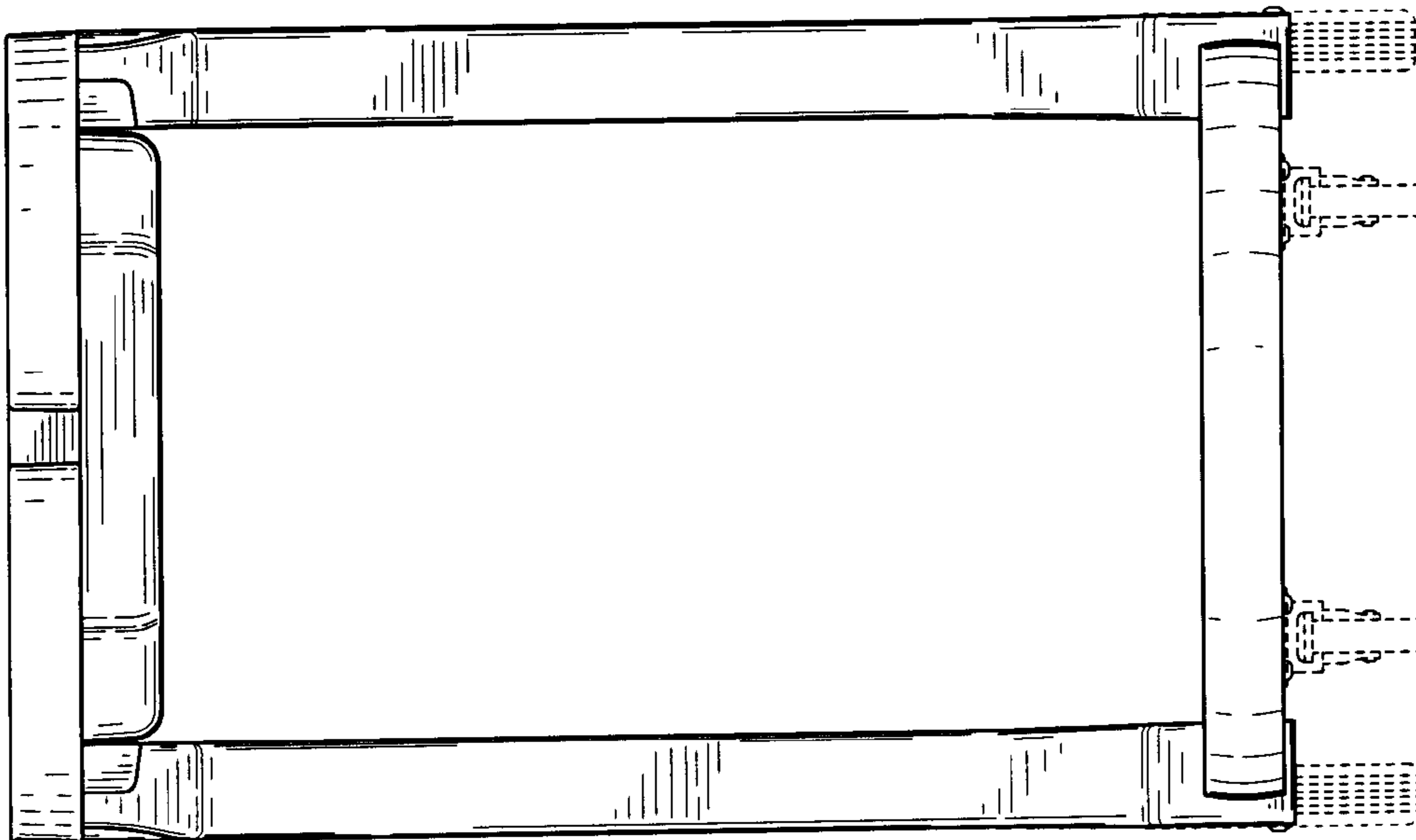


Figure 3

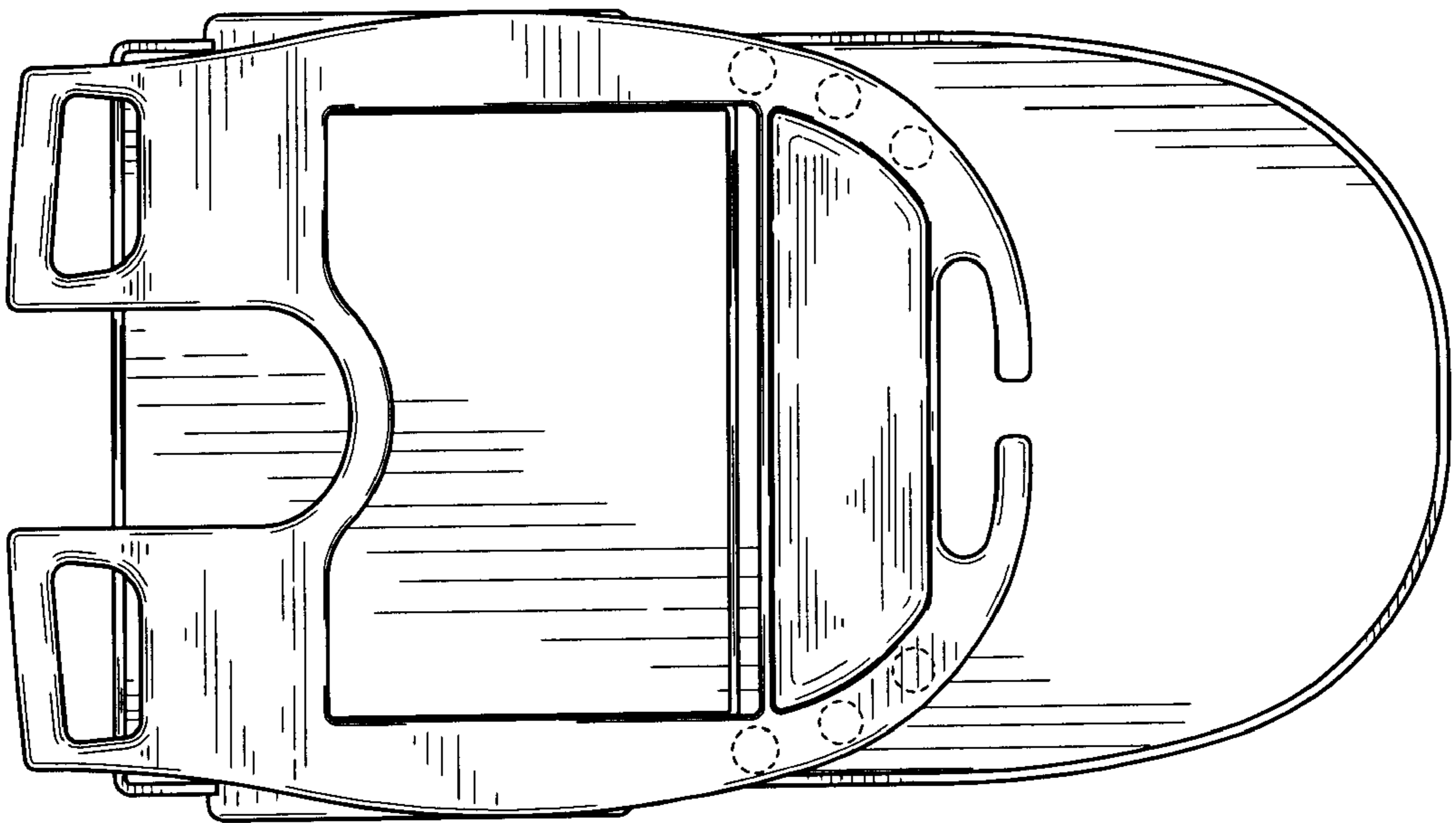


Figure 5

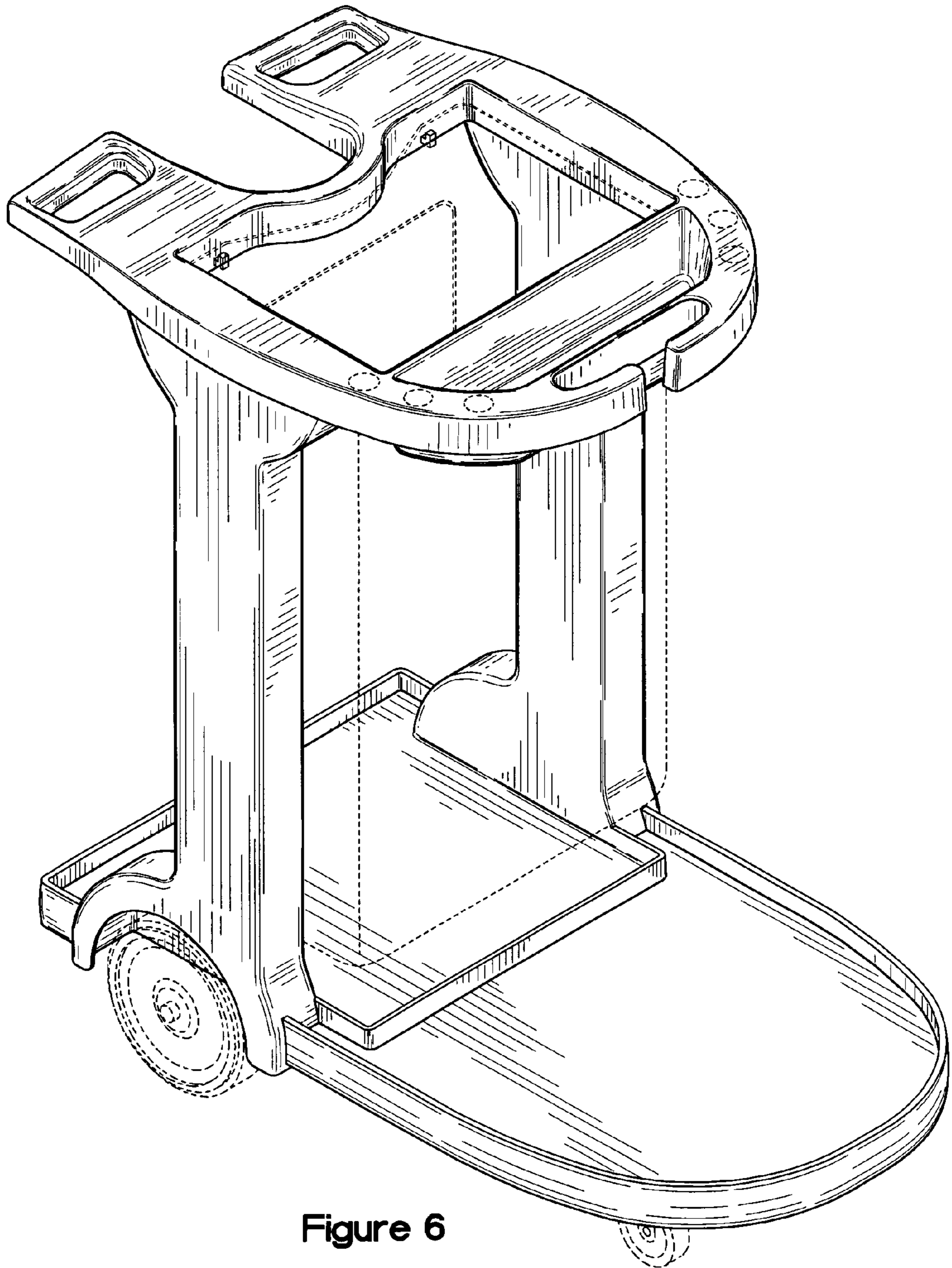


Figure 6