



US00D481185S

(12) **United States Design Patent**
Powell

(10) **Patent No.:** **US D481,185 S**

(45) **Date of Patent:** **** Oct. 21, 2003**

(54) **LAUNDRY IRON**

D443,963 S * 6/2001 Gudefin D32/70

(75) Inventor: **Dick Powell**, London (GB)

* cited by examiner

(73) Assignee: **Calor SA** (FR)

Primary Examiner—Alan P. Douglas

Assistant Examiner—Lavone D. Tabor

(**) Term: **14 Years**

(74) *Attorney, Agent, or Firm*—Cantor Colburn LLP

(21) Appl. No.: **29/162,775**

(57) **CLAIM**

(22) Filed: **Jun. 20, 2002**

The ornamental design for a laundry iron, as shown and described.

(30) **Foreign Application Priority Data**

DESCRIPTION

Dec. 21, 2001 (FR) 01 7500

(51) **LOC (7) Cl.** **07-05**

(52) **U.S. Cl.** **D32/70**

(58) **Field of Search** D32/68, 70-72;
38/74-75, 77.1, 77.5, 77.7, 77.8, 77.81,
77.9, 88, 90, 93, 94; 219/245, 248, 254,
257

FIG. 1 is a perspective view of a laundry iron, showing my new design;

FIG. 2 is a side elevational view thereof;

FIG. 3 is another side elevational view thereof;

FIG. 4 is a front elevational view thereof;

FIG. 5 is a rear elevational view thereof;

FIG. 6 is a top plan view thereof; and,

FIG. 7 is a bottom plan view thereof;

FIG. 8 is a perspective view of a laundry iron, showing another embodiment of my new design;

FIG. 9 is a side elevational view thereof;

FIG. 10 is another side elevational view thereof;

FIG. 11 is a front elevational view thereof;

FIG. 12 is a rear elevational view thereof;

FIG. 13 is a top plan view thereof; and,

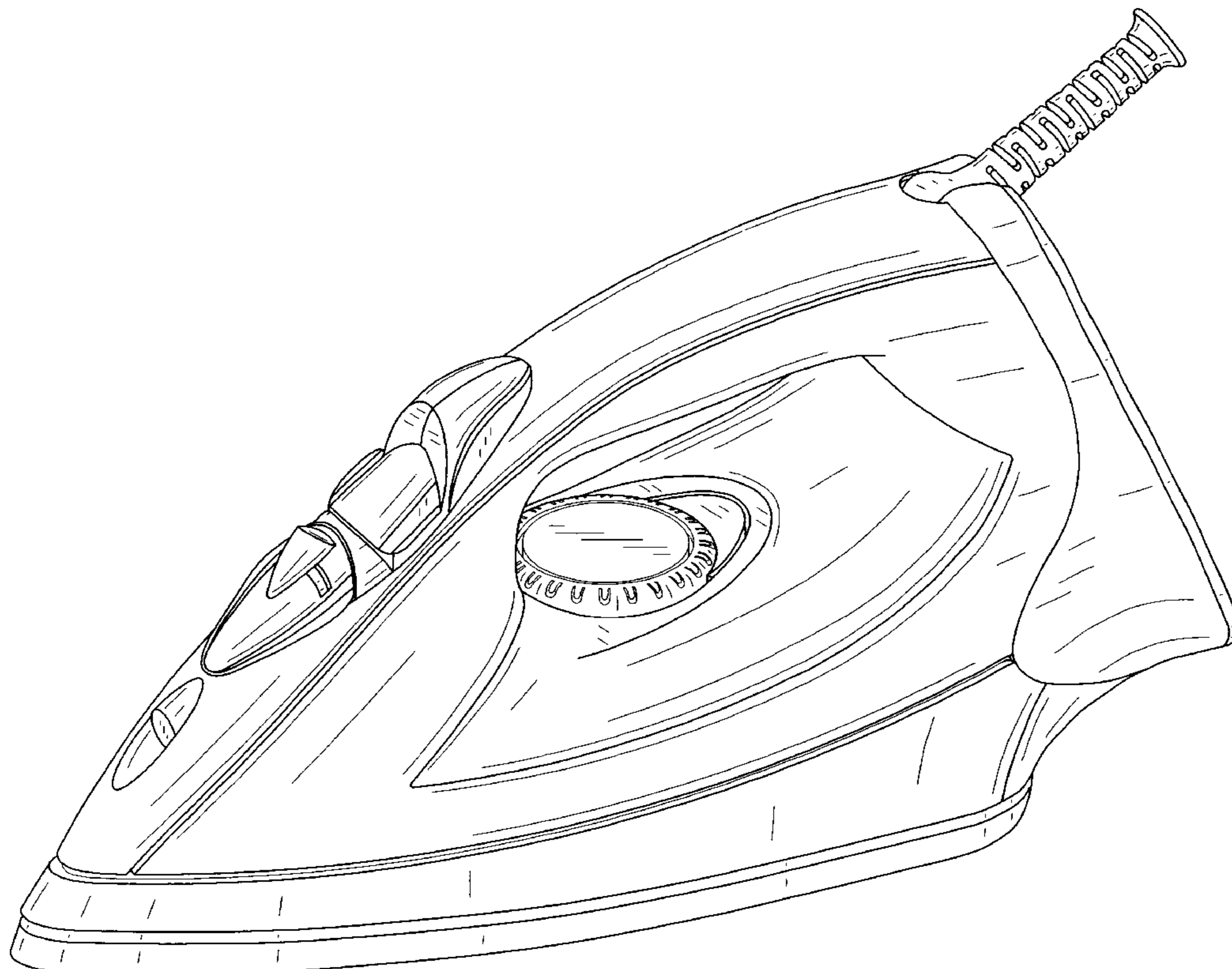
FIG. 14 is a bottom plan elevational view thereof.

(56) **References Cited**

U.S. PATENT DOCUMENTS

D356,196 S	*	3/1995	Bannigan	D32/70
D389,967 S	*	1/1998	Hensel et al.	D32/70
D393,509 S	*	4/1998	Gudefin	D32/70
D402,779 S	*	12/1998	Gudefin	D32/70
D427,403 S	*	6/2000	Gudefin	D32/70
D428,541 S	*	7/2000	Bas	D32/70
D433,551 S	*	11/2000	Powell	D32/70
D441,931 S	*	5/2001	Powell	D32/71

1 Claim, 14 Drawing Sheets



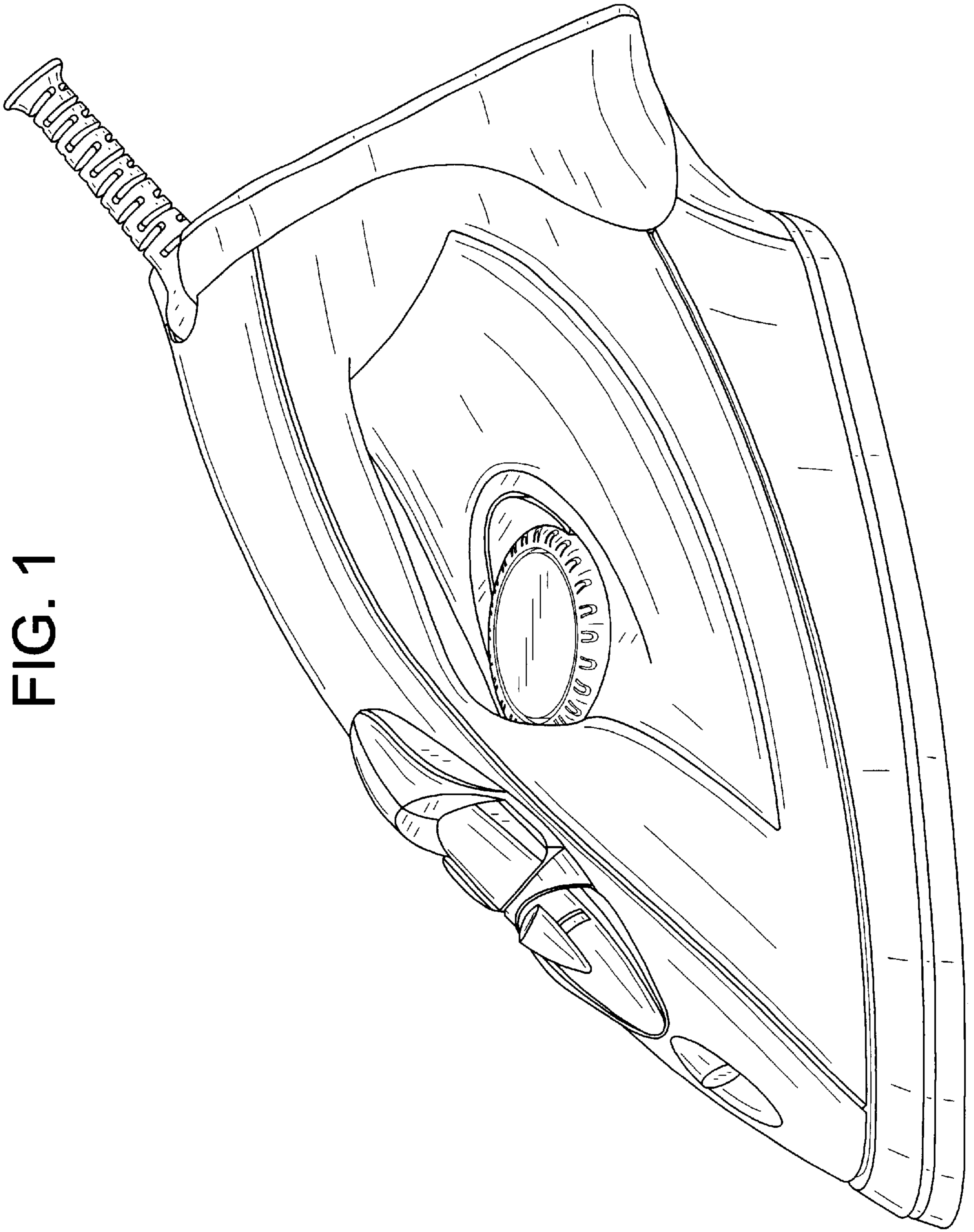


FIG. 1

FIG. 2

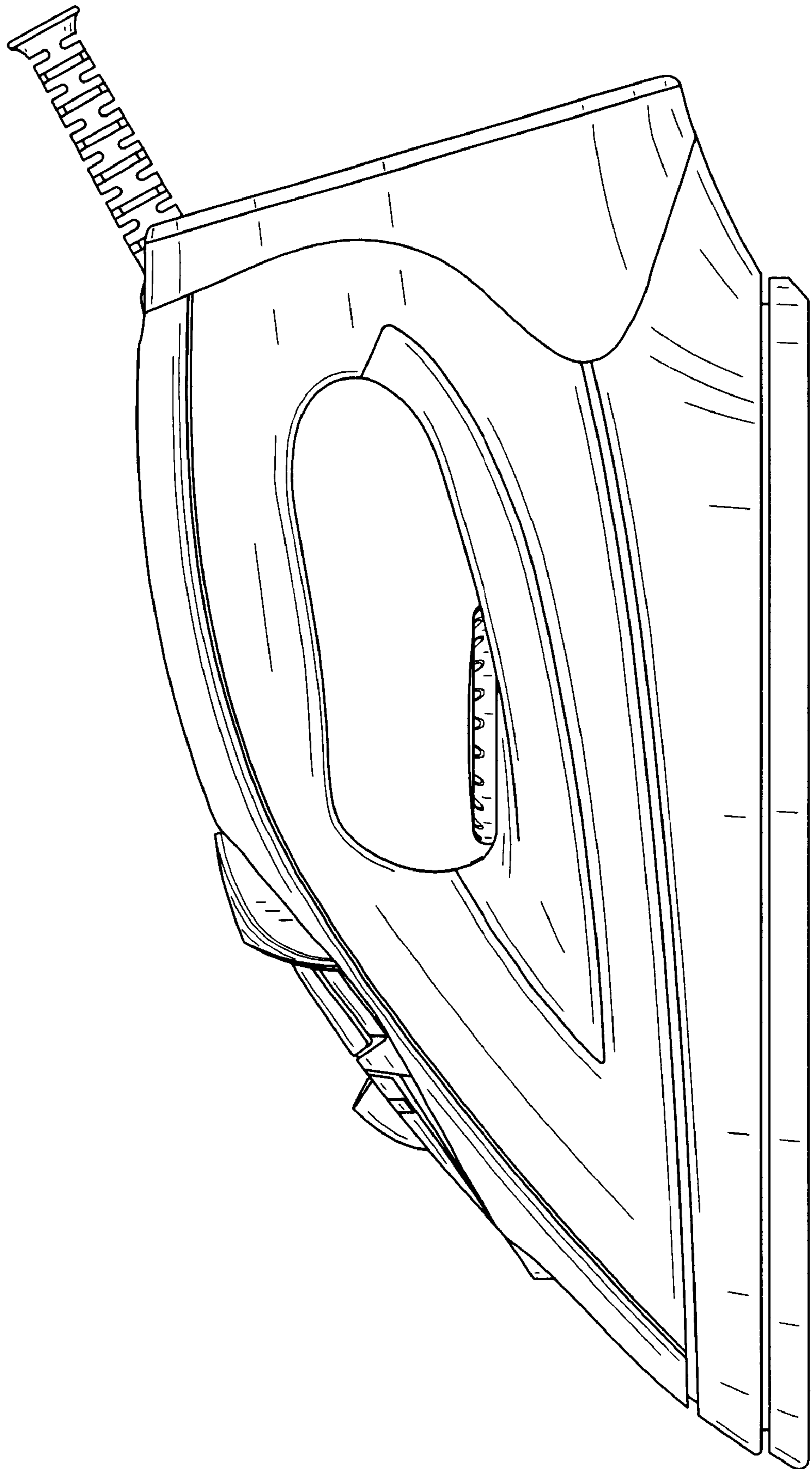


FIG. 3

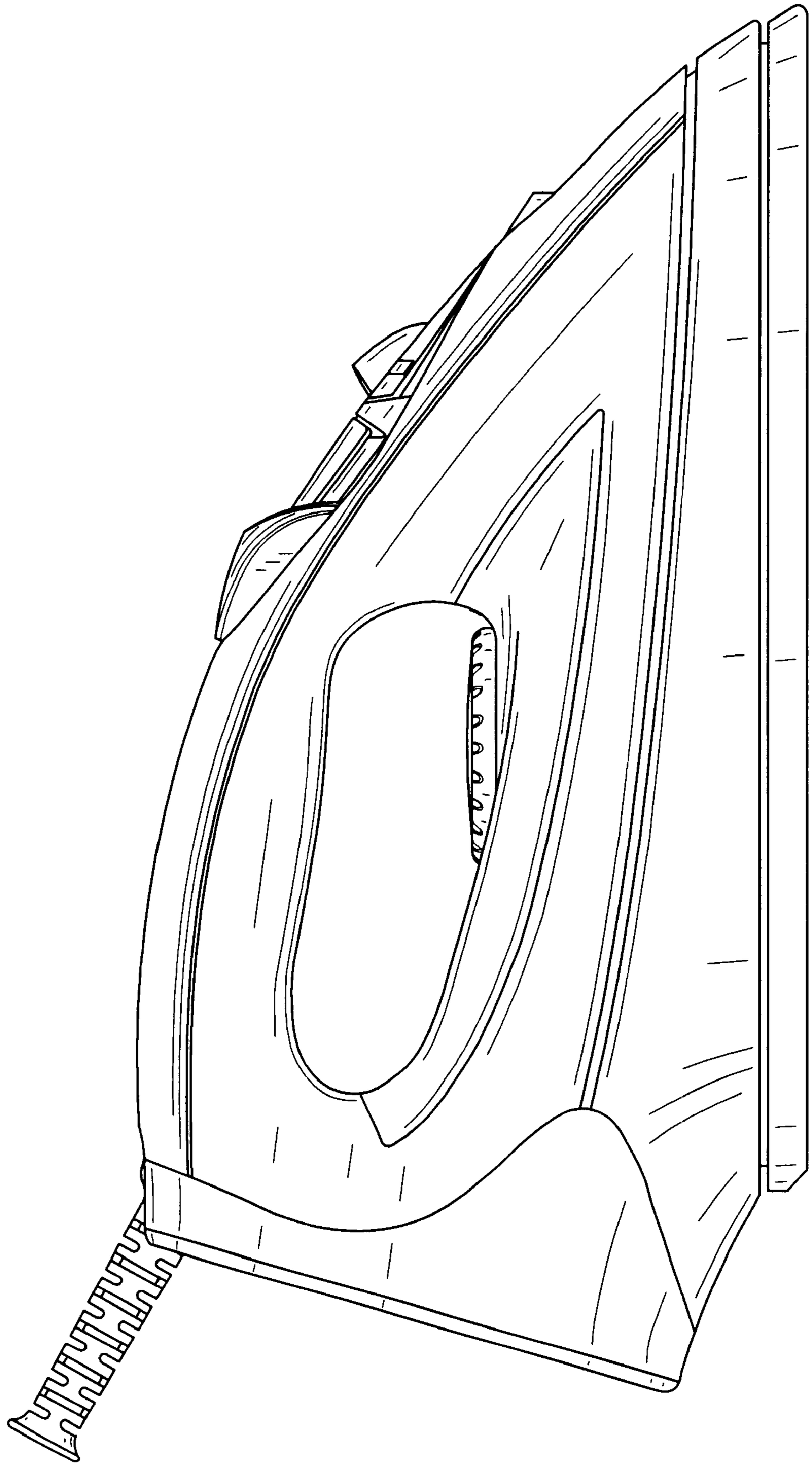


FIG. 4

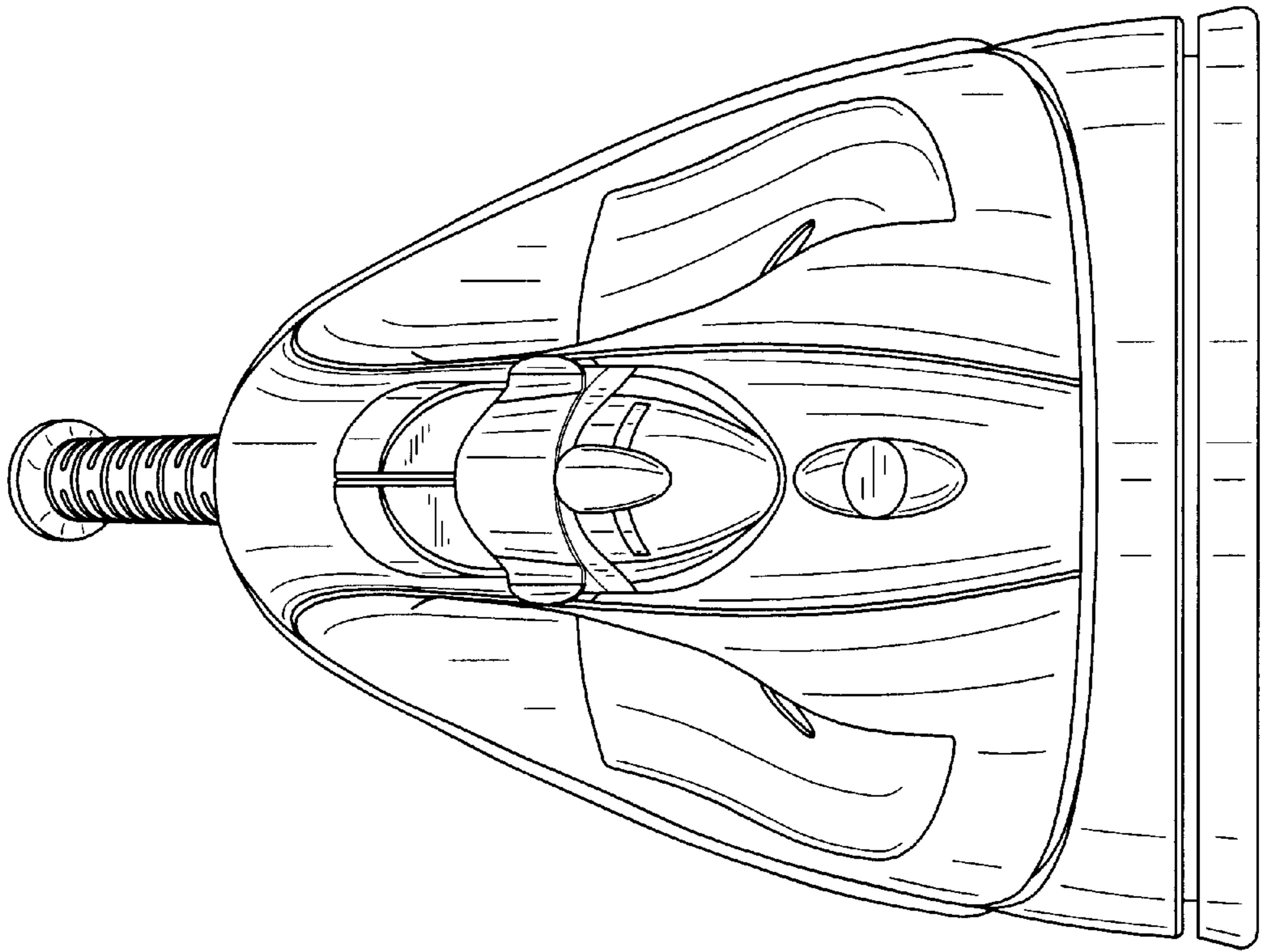


FIG. 5

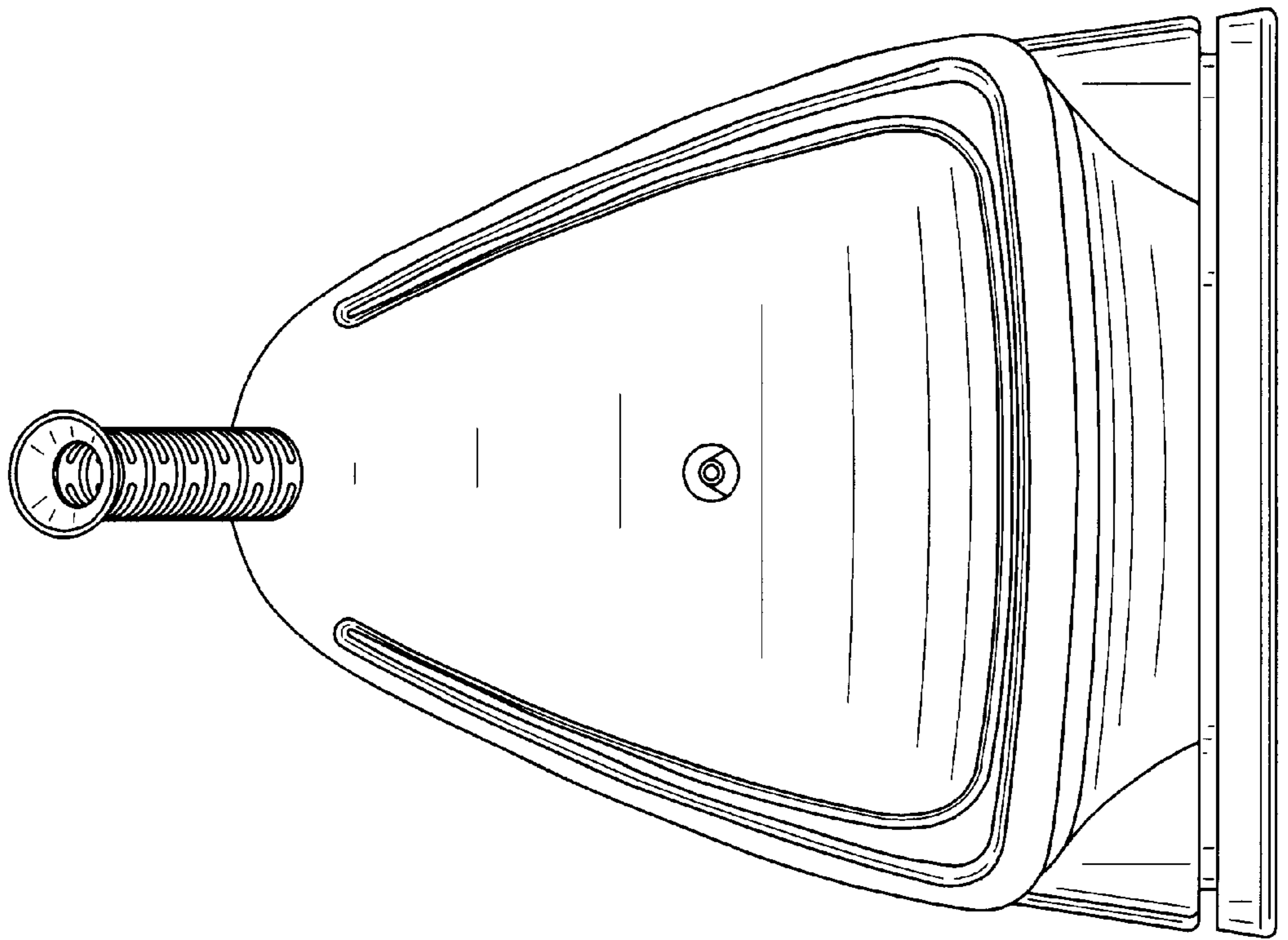


FIG. 6

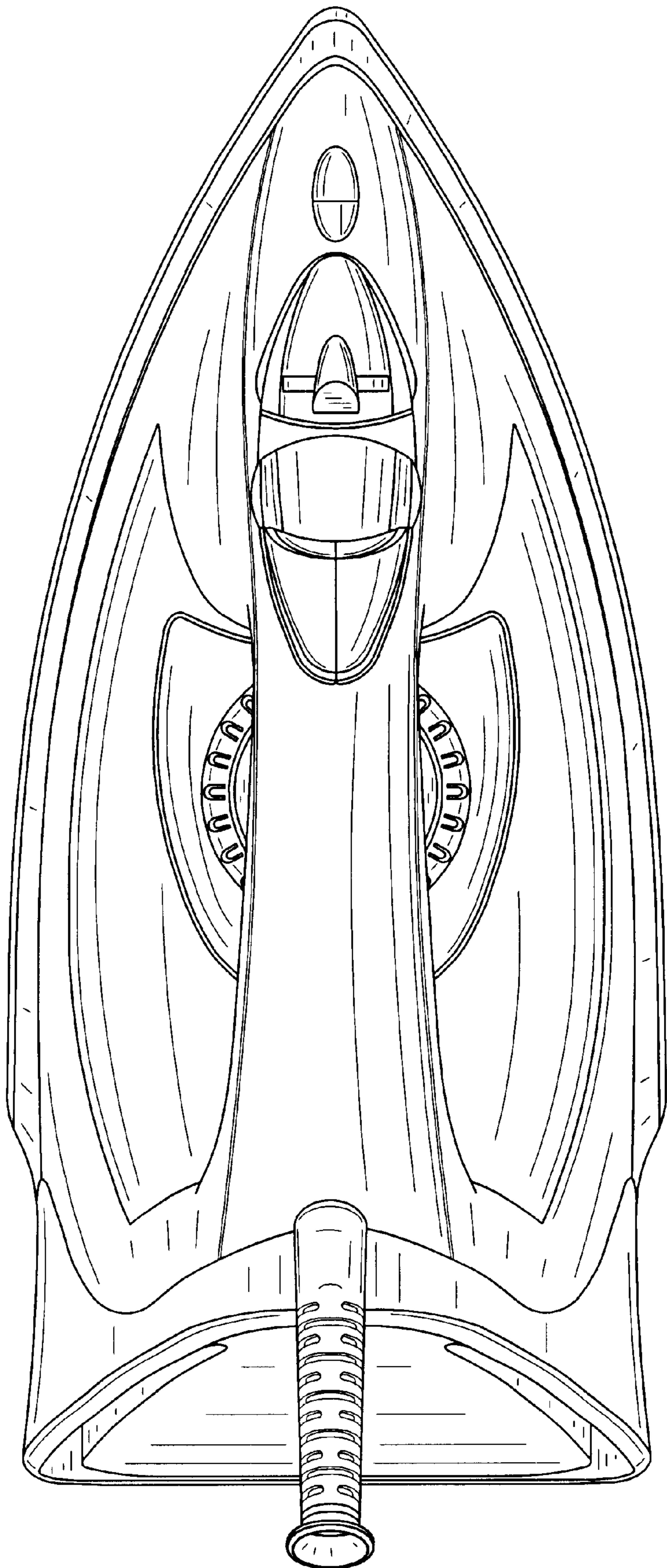
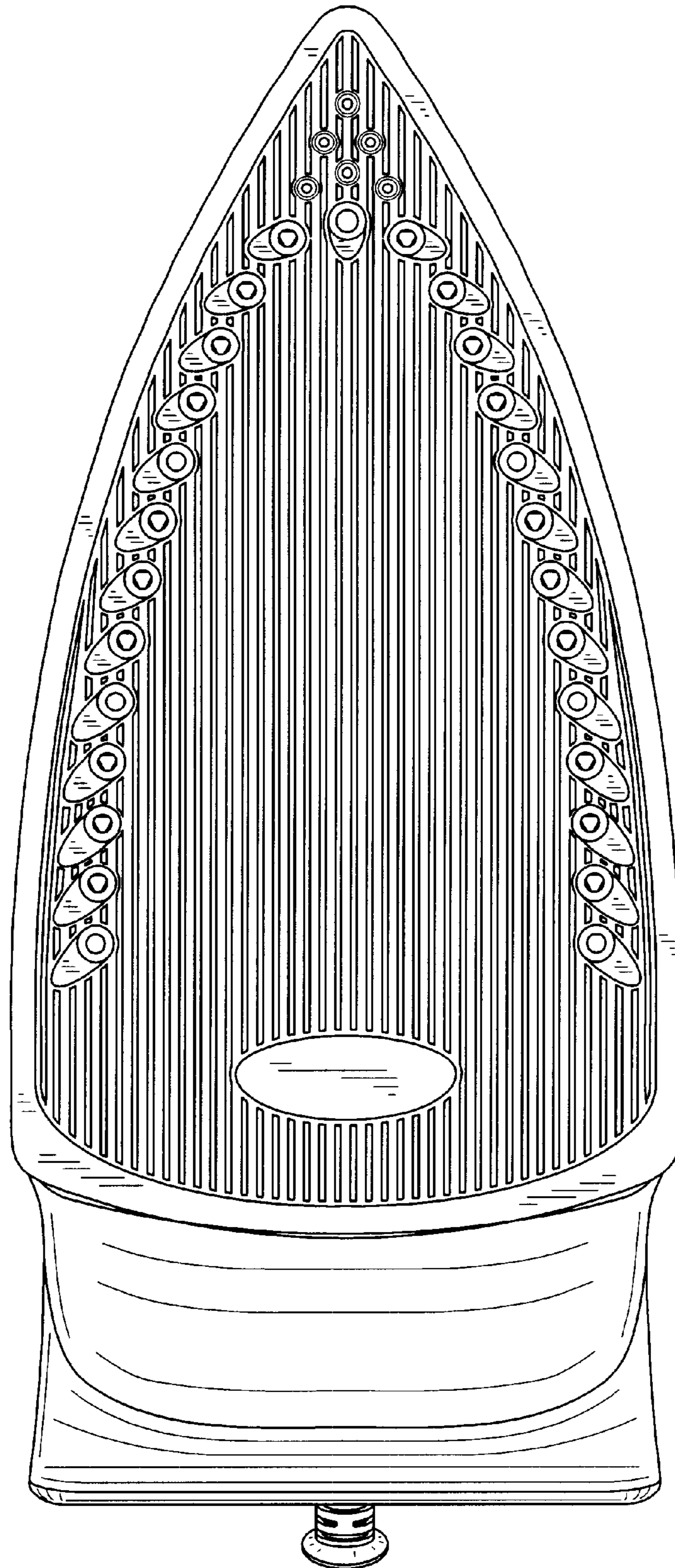


FIG. 7



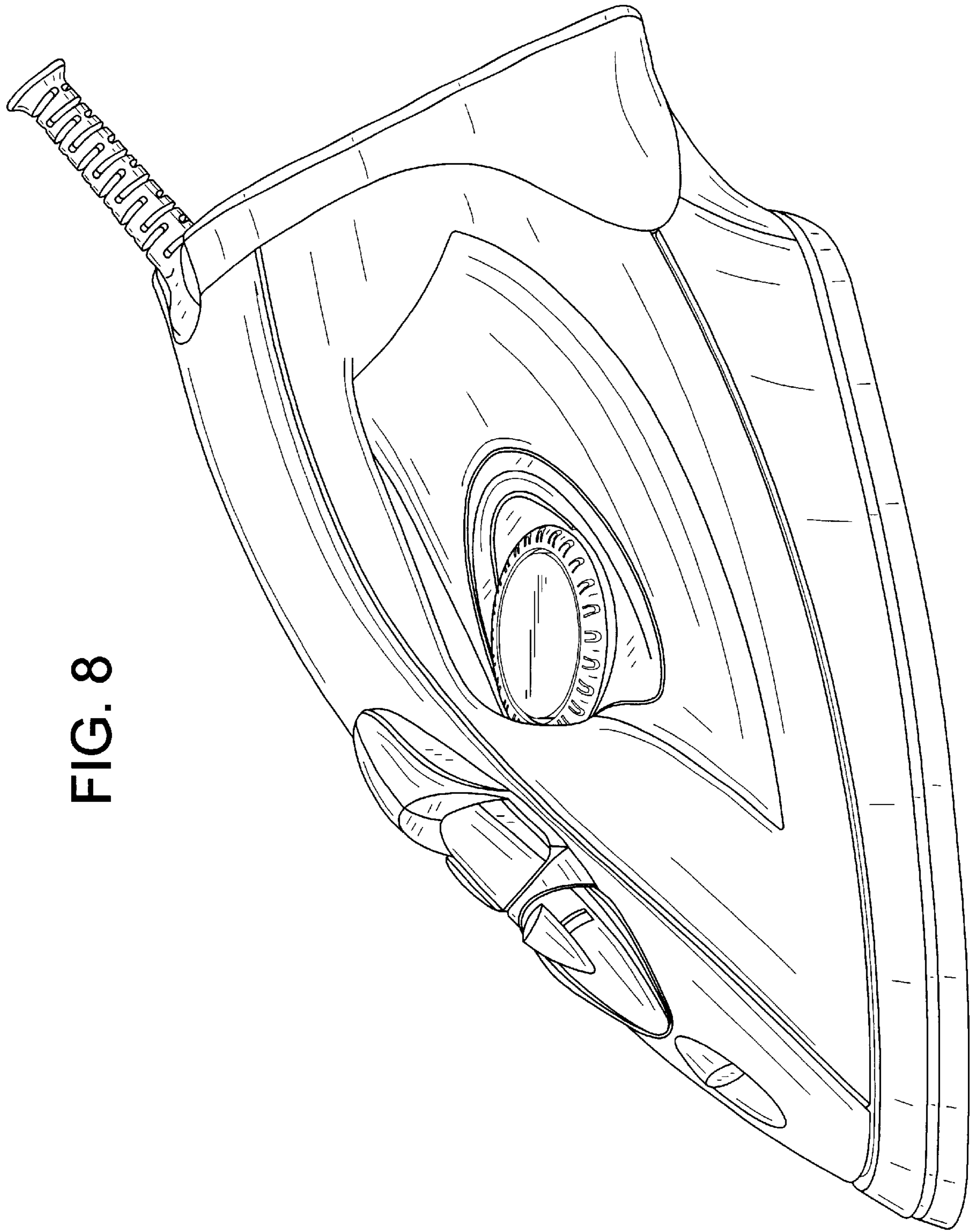


FIG. 8

FIG. 9

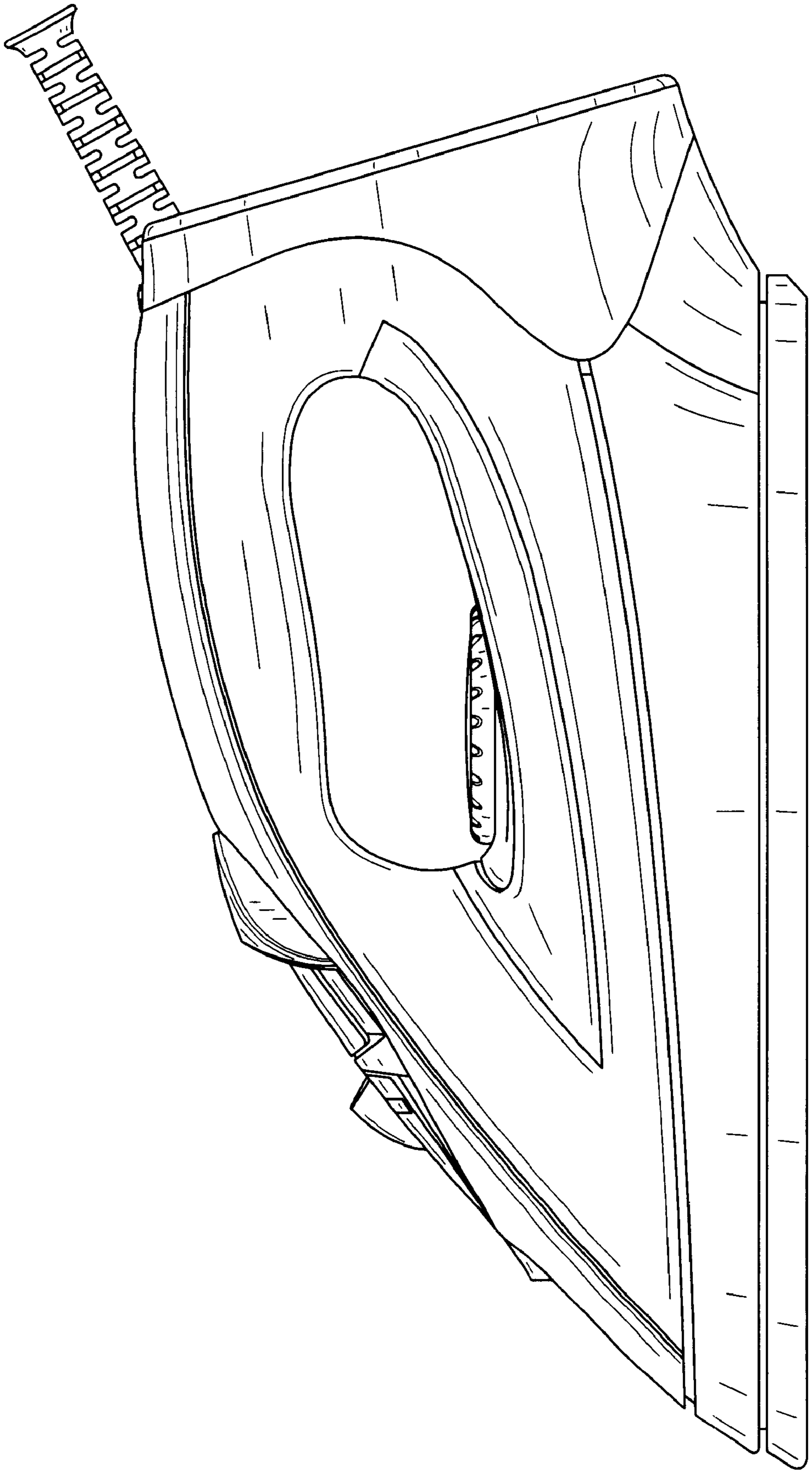


FIG. 10

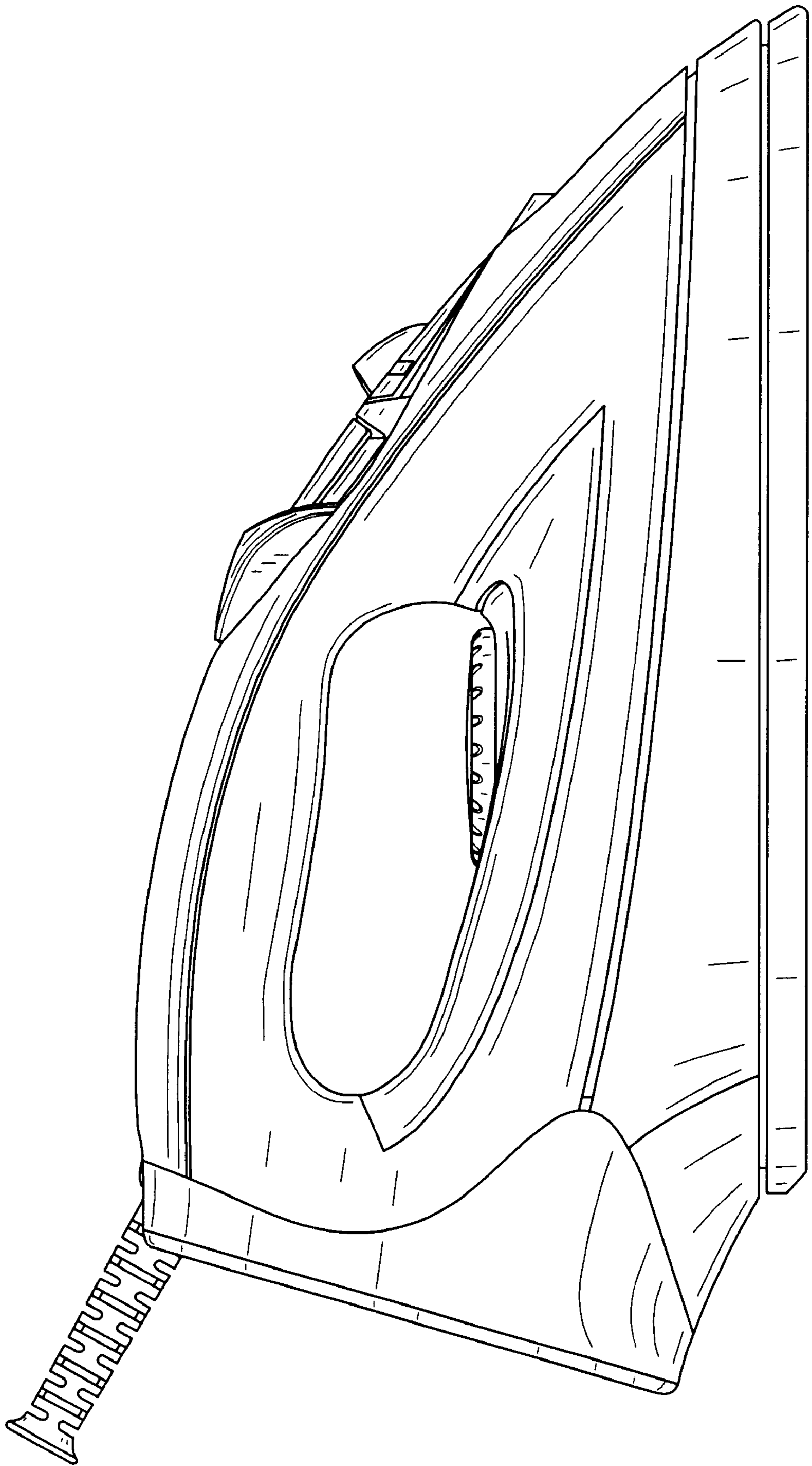


FIG. 11

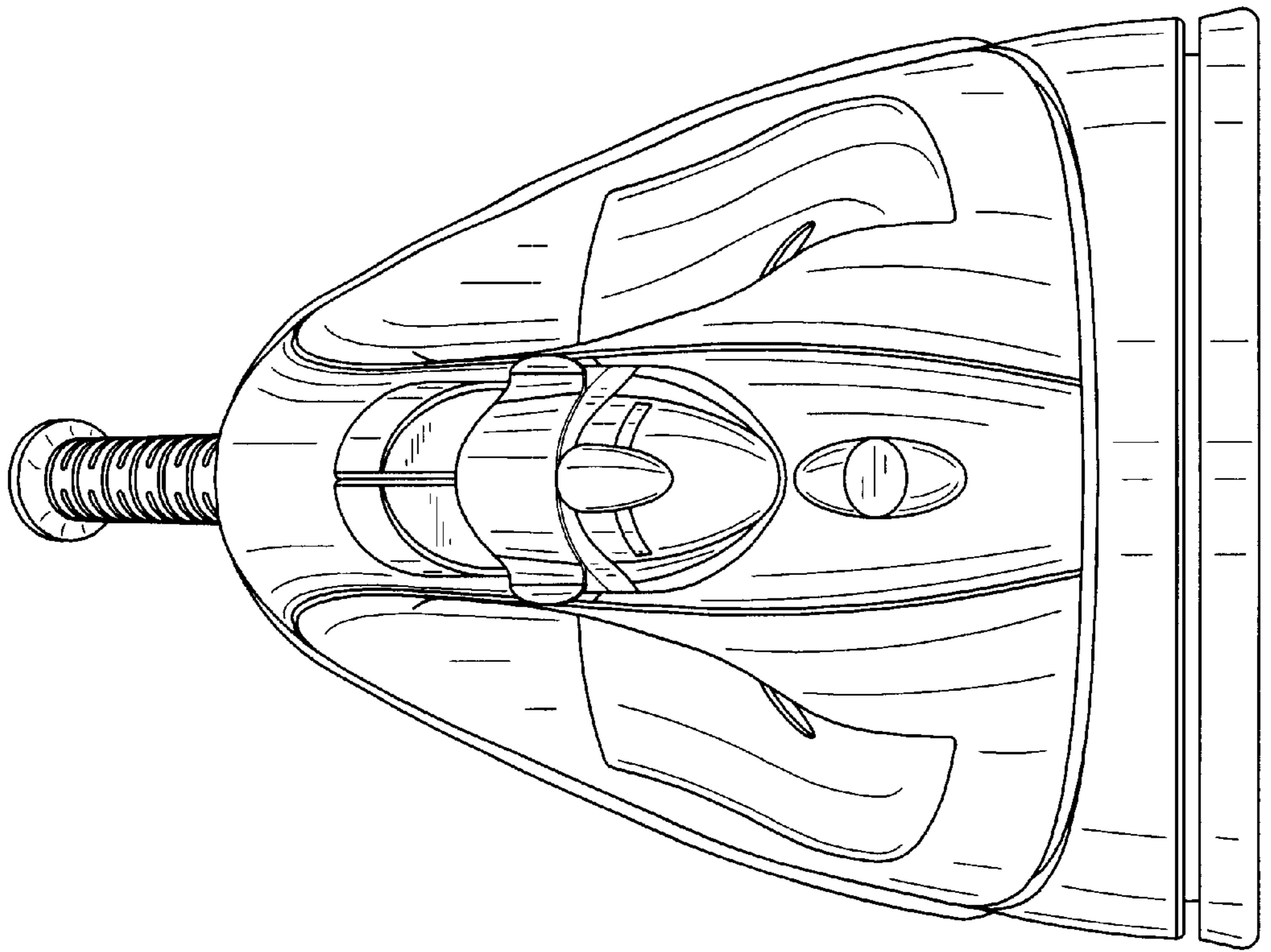


FIG. 12

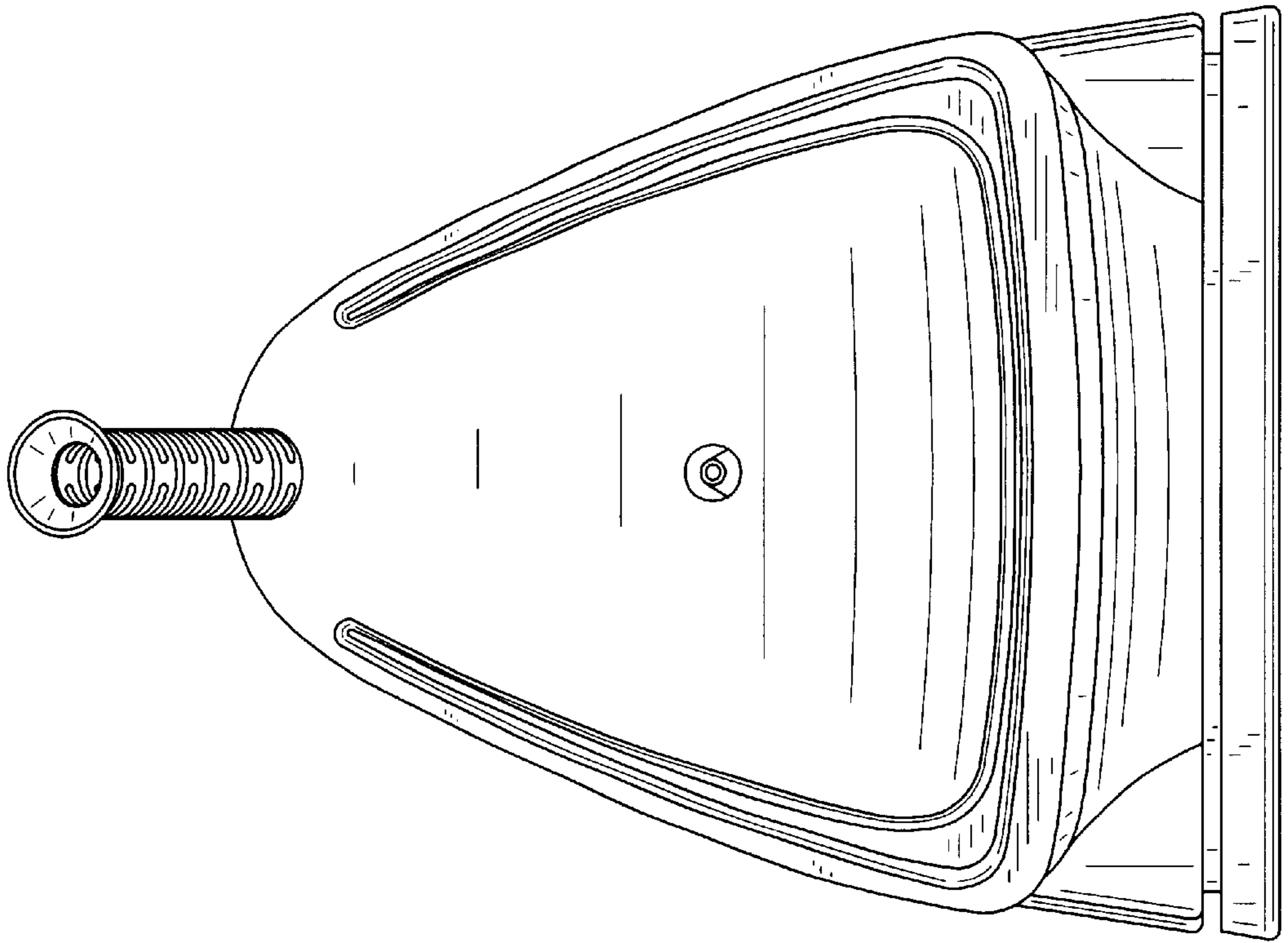


FIG. 13

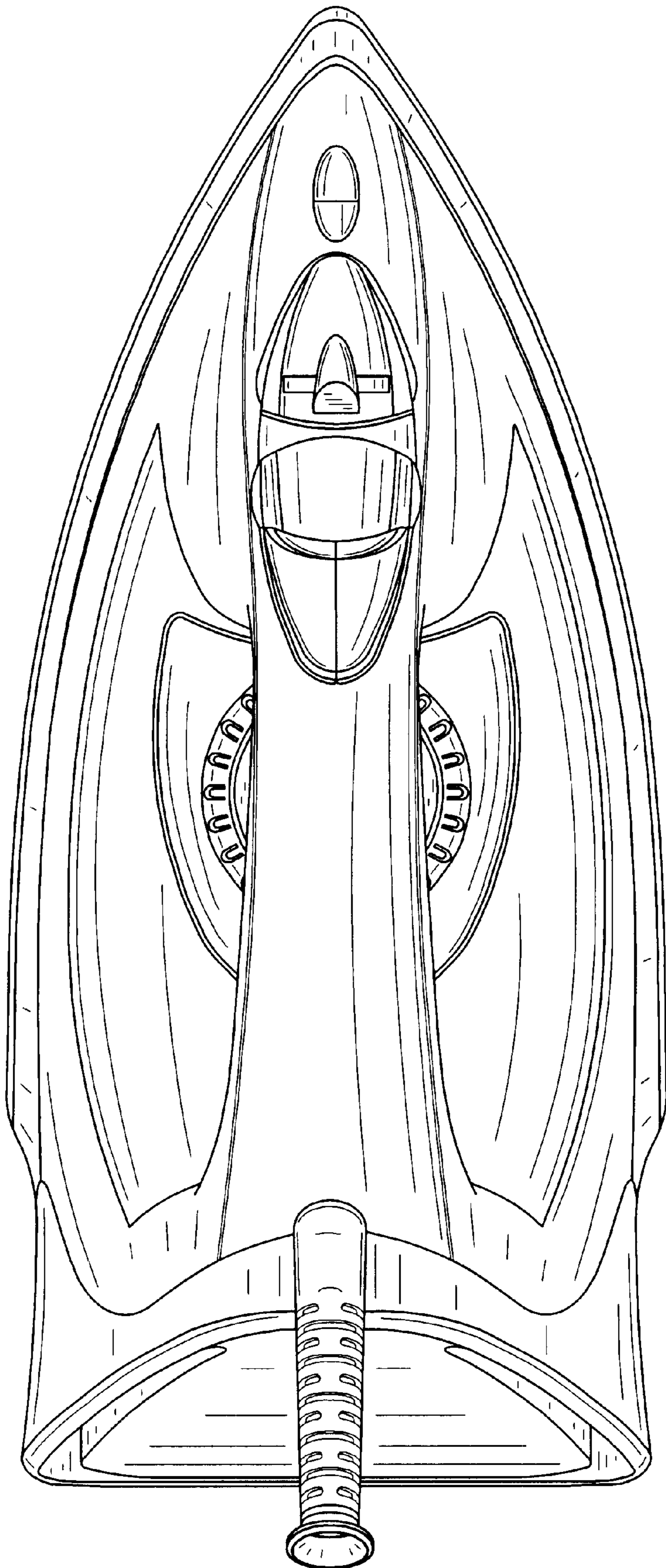


FIG. 14

