



US00D481181S

(12) **United States Design Patent**
Lath et al.

(10) **Patent No.:** **US D481,181 S**

(45) **Date of Patent:** **** Oct. 21, 2003**

(54) **POOL CLEANER WHEEL**

(75) Inventors: **Arunabh Lath**, La Mesa, CA (US);
Gerhardus J. Stoltz, Temecula, CA
(US); **Steven E. Smart**, Ramona, CA
(US); **David J. Peterson, Jr.**, San
Diego, CA (US); **Eric J. Kownacki**,
San Diego, CA (US)

(73) Assignee: **Polaris Pool Systems, Inc.**, Vista, CA
(US)

(**) Term: **14 Years**

(21) Appl. No.: **29/157,236**

(22) Filed: **Mar. 15, 2002**

(51) **LOC (7) Cl.** **15-05**

(52) **U.S. Cl.** **D32/25**

(58) **Field of Search** D32/1, 15, 25;
15/1.7, 320, 321, 28; 134/103.2; D23/213,
355; 239/147, 172, DIG. 21; D12/204,
206; D34/25

(56) **References Cited**

U.S. PATENT DOCUMENTS

D248,295 S * 6/1978 Day et al. D12/206
D375,591 S * 11/1996 Fryoux D32/15

5,603,135 A * 2/1997 Jones et al. 15/1.7
D389,974 S * 1/1998 Hammer et al. D34/25
D460,846 S * 7/2002 Helman et al. D34/25 X

* cited by examiner

Primary Examiner—Louis S. Zarfaz
Assistant Examiner—Robert A. Delehanty
(74) *Attorney, Agent, or Firm*—Kelly Bauersfeld Lowry &
Kelley, LLP

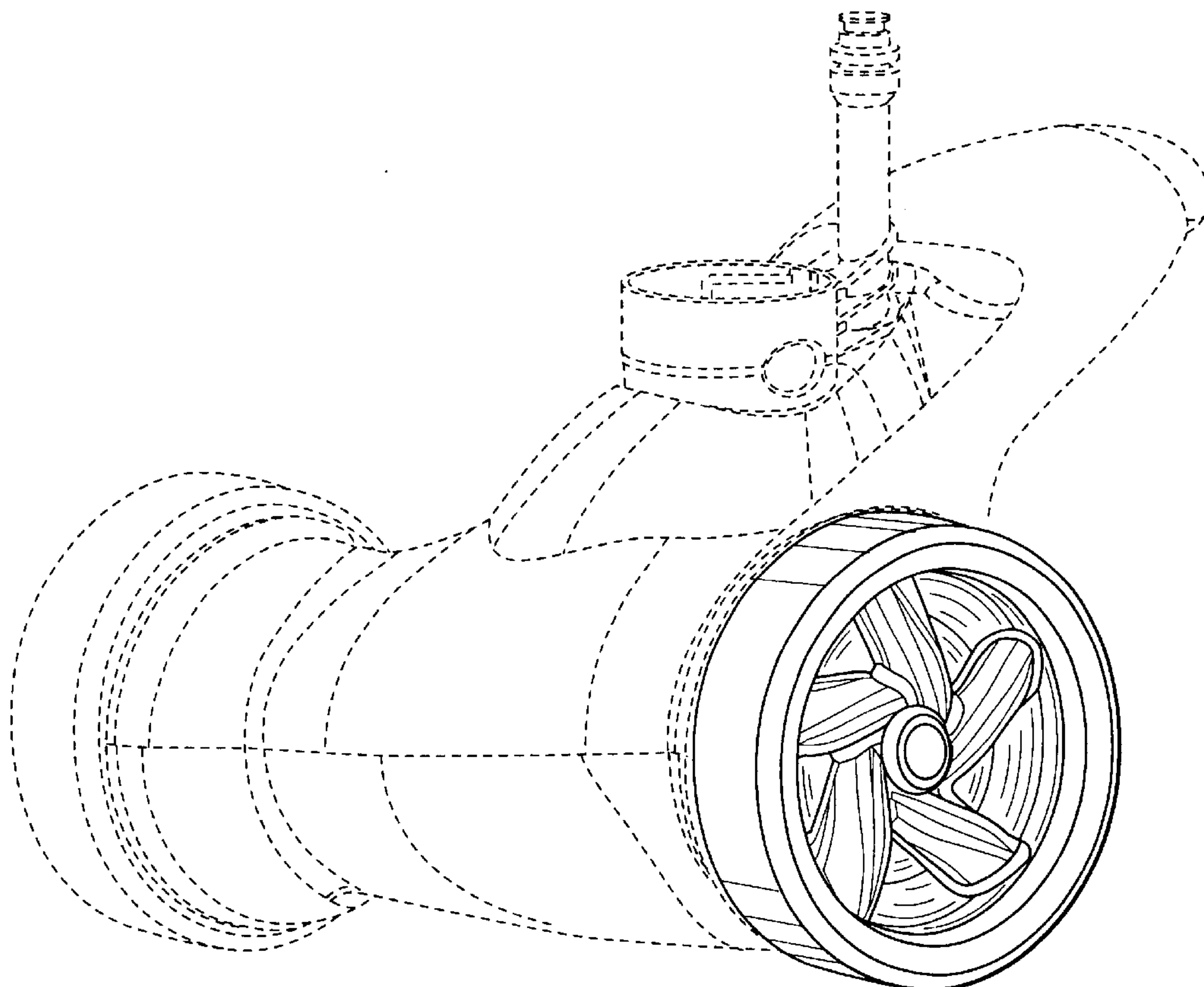
(57) **CLAIM**

The ornamental design for a pool cleaner wheel, substan-
tially as shown.

DESCRIPTION

FIG. 1 is a perspective view showing the pool cleaner wheel
embodying the new design installed onto a pool cleaner
shown in dotted lines for illustrative purposes only and
forming no part of the claimed design;
FIG. 2 is an outboard side elevation view shown on an
enlarged scale thereof;
FIG. 3 is an inboard side elevation view shown on an
enlarged scale thereof; and,
FIG. 4 is a front elevation view shown on a greatly enlarged
scale thereof, the rear elevation and the top and bottom plan
views being identical to the front elevation view as shown.

1 Claim, 4 Drawing Sheets



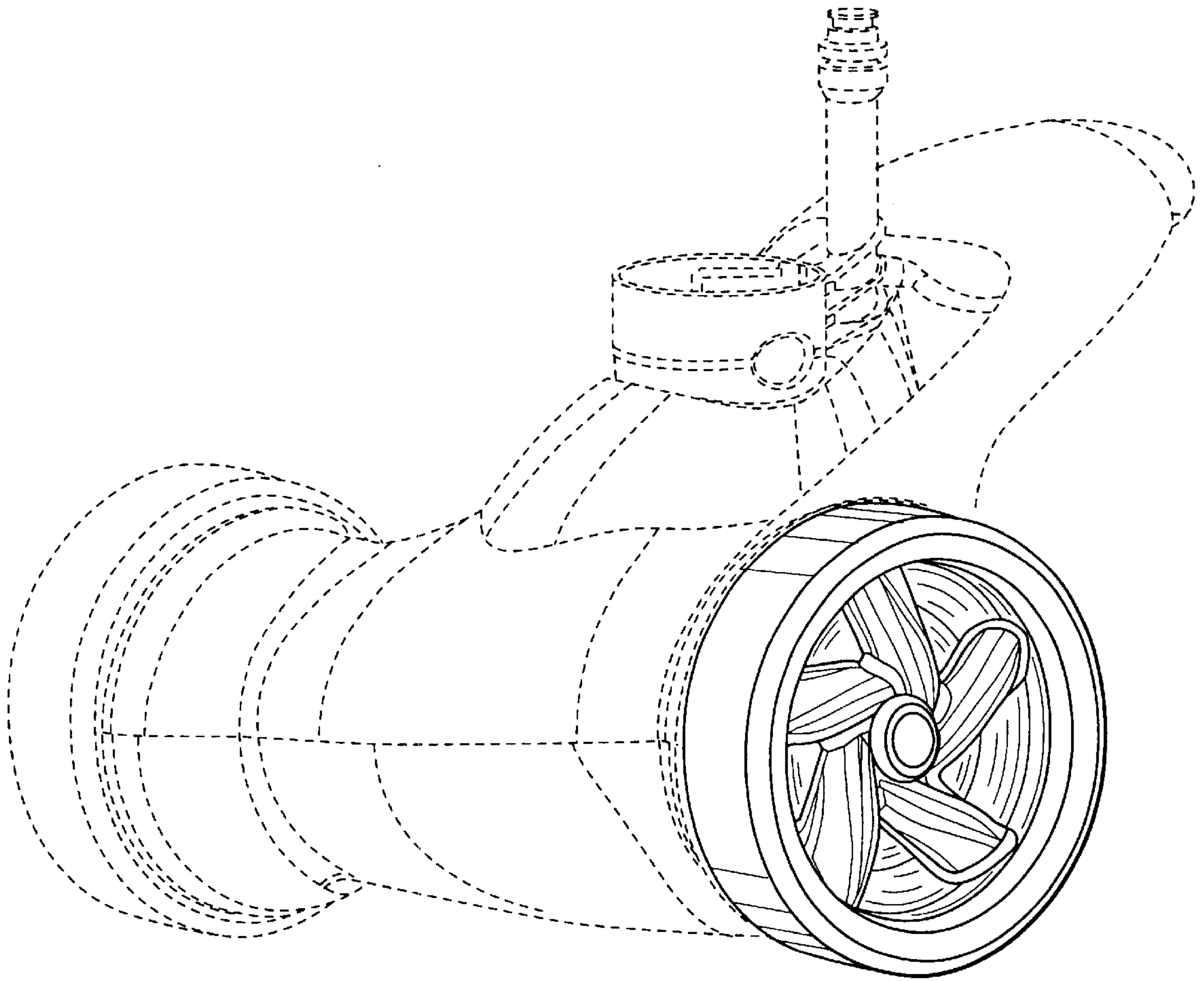


FIG. 1

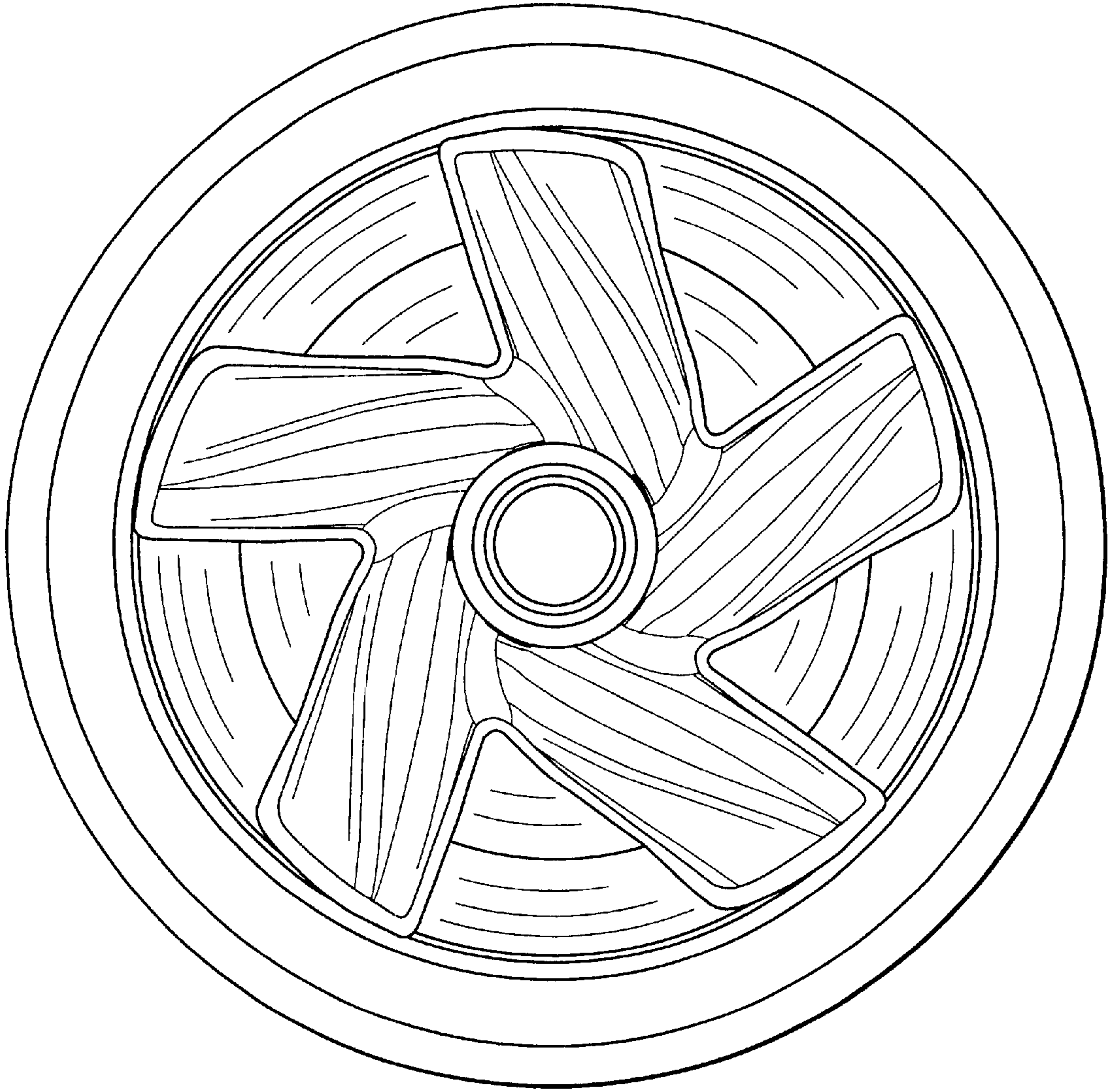


FIG. 2

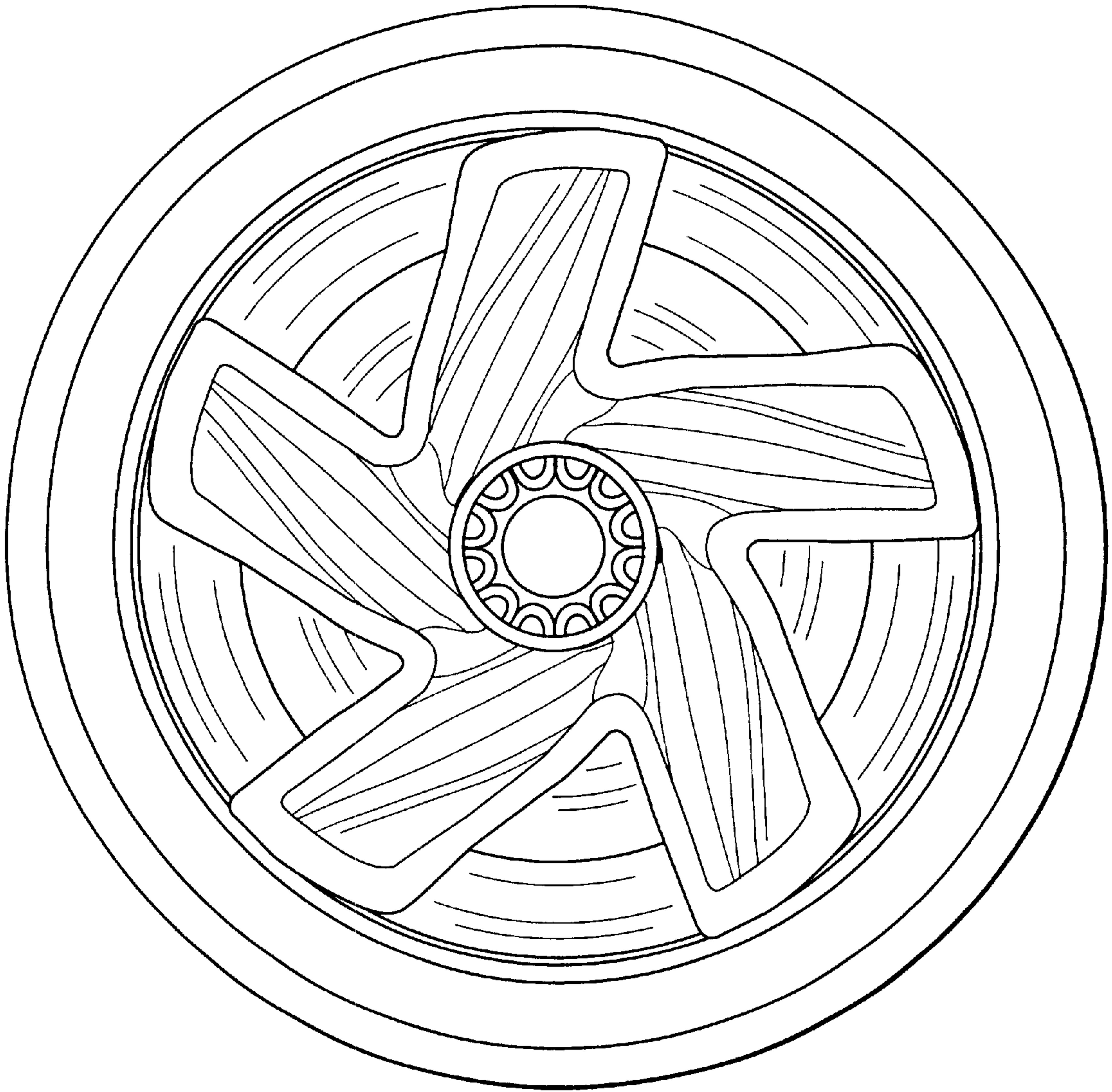


FIG. 3

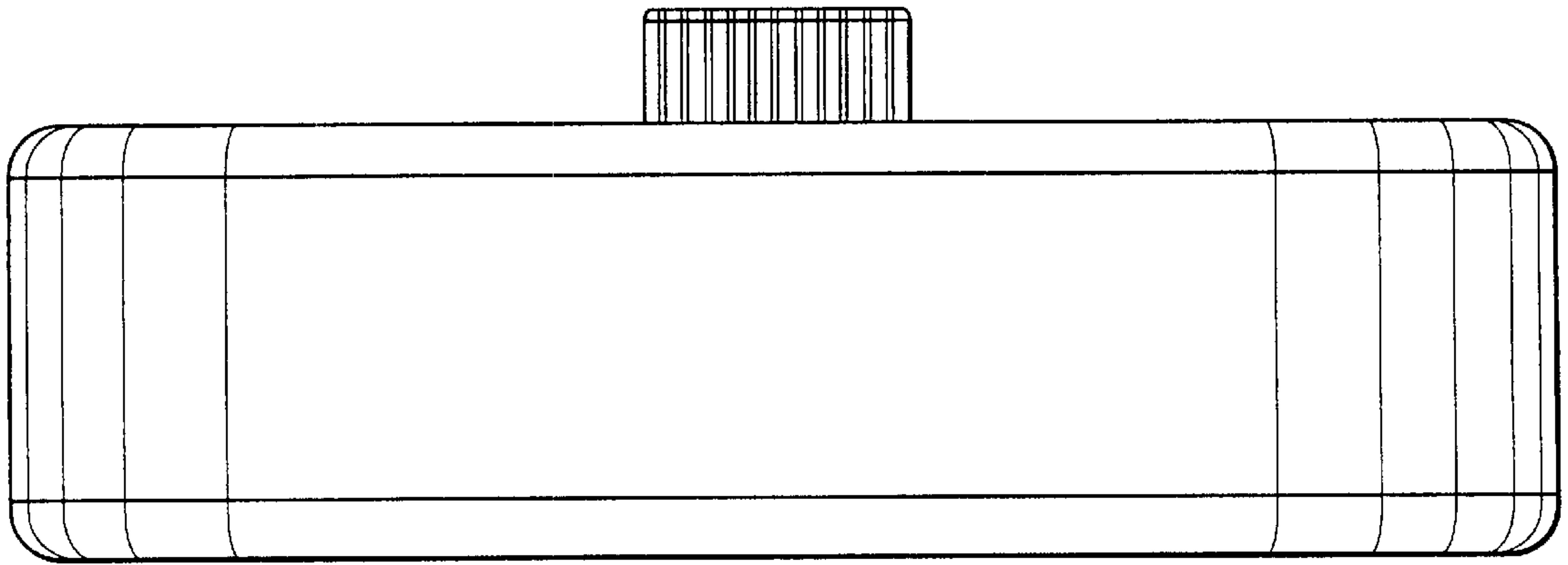


FIG. 4