



US00D481180S

(12) **United States Design Patent**
Fujii

(10) **Patent No.:** **US D481,180 S**

(45) **Date of Patent:** **** Oct. 21, 2003**

(54) **VACUUM CLEANER**

(75) **Inventor:** **Nobuhiro Fujii, Osaka-fu (JP)**

(73) **Assignee:** **Sharp Kabushiki Kaisha, Osaka (JP)**

(**) **Term:** **14 Years**

(21) **Appl. No.:** **29/162,622**

(22) **Filed:** **Jun. 20, 2002**

(30) **Foreign Application Priority Data**

Dec. 20, 2001	(JP)	2001-037404
Dec. 20, 2001	(JP)	2001-037405
Dec. 20, 2001	(JP)	2001-037406

(51) **LOC (7) Cl.** **15-05**

(52) **U.S. Cl.** **D32/22**

(58) **Field of Search** D32/17-18, 21-24,
D32/31; 15/344, 329, 320-322, 352-353,
327.1-327.7, 337; 55/459.1-459.2, 449,
DIG. 3; 95/271

(56) **References Cited**

U.S. PATENT DOCUMENTS

D305,269	S	*	12/1989	Dyson	D32/22
D309,203	S	*	7/1990	Goodrich	D32/22
D325,274	S		4/1992	Ikeda		
D327,145	S		6/1992	Kuriya		
D335,556	S		5/1993	Kuriya		
D343,707	S	*	1/1994	Dyson	D32/22
D344,164	S		2/1994	Kuriya		
D354,593	S		1/1995	Koike		
D358,913	S		5/1995	Sugiyama et al.		
D365,669	S	*	12/1995	Piccaluga et al.	D32/22
D373,665	S		9/1996	Nakamura et al.		
D375,820	S	*	11/1996	Piccaluga et al.	D32/22
D383,574	S		9/1997	Saimen et al.		
D398,093	S		9/1998	Fujima		
D403,477	S		12/1998	Tsujimoto et al.		
D403,478	S		12/1998	Tsujimoto et al.		
D417,533	S	*	12/1999	Burchard et al.	D32/22
D435,945	S	*	1/2001	Ikeno et al.	D32/22
D436,699	S		1/2001	Makihara et al.		
D439,379	S	*	3/2001	Gammack et al.	D32/22

D443,738	S		6/2001	Makihara et al.		
D455,530	S	*	4/2002	Fujii	D32/22
D455,876	S	*	4/2002	Arney et al.	D32/22
D463,078	S	*	9/2002	Harada	D32/22
D473,981	S	*	4/2003	Wareham	D32/22

* cited by examiner

Primary Examiner—Ruth McInroy

(74) *Attorney, Agent, or Firm*—Nixon & Vanderhye

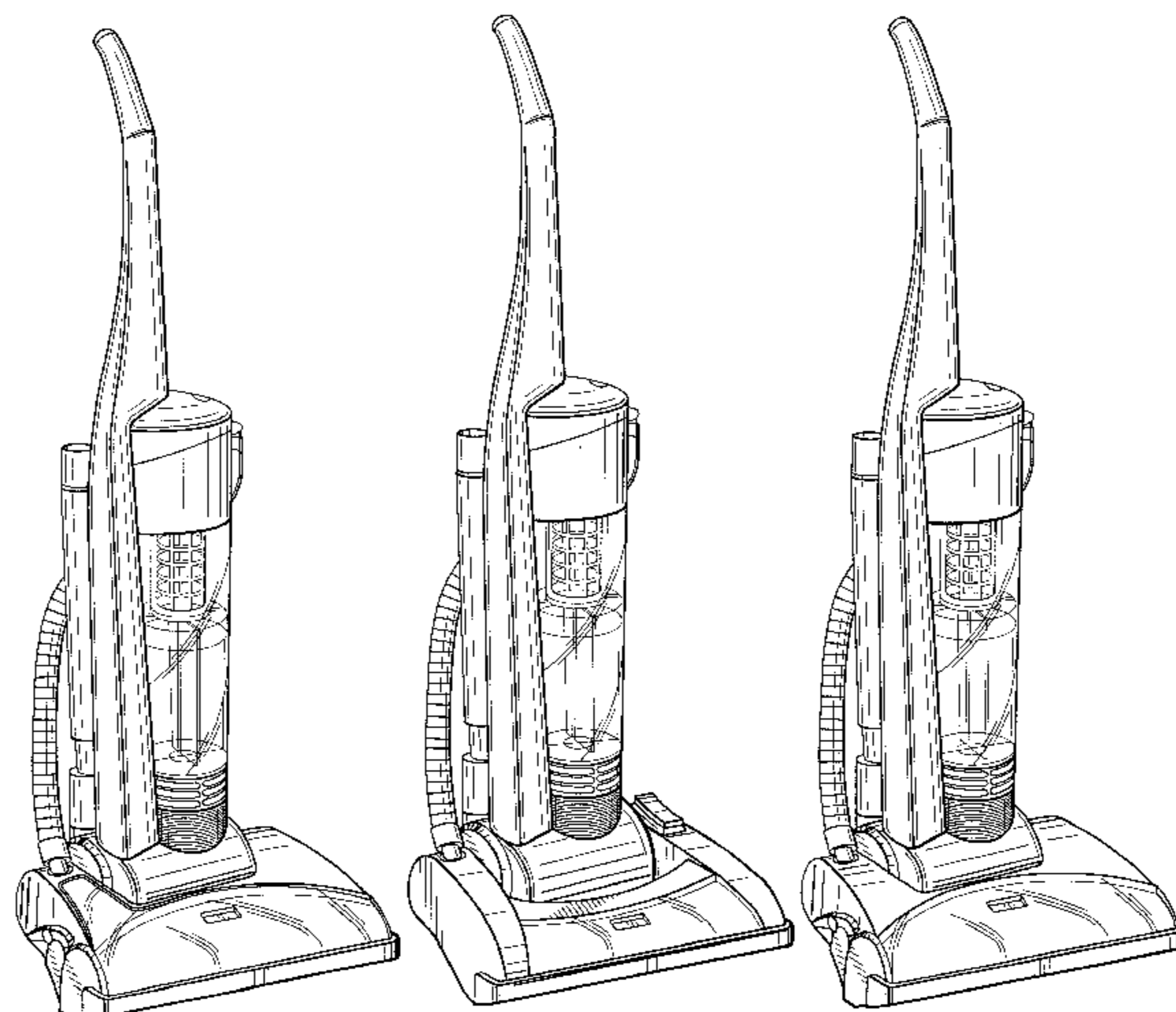
(57) **CLAIM**

The ornamental design for a vacuum cleaner, as shown and described.

DESCRIPTION

FIG. 1 is a top, front and left side perspective view of a vacuum cleaner showing my new design;
 FIG. 2 is a front elevational view thereof;
 FIG. 3 is a rear elevational view thereof;
 FIG. 4 is a right side elevational view thereof;
 FIG. 5 is a left side elevational view thereof;
 FIG. 6 is a top plan view thereof;
 FIG. 7 is a bottom plan view thereof;
 FIG. 8 is a top, rear and left side perspective view thereof;
 FIG. 9 is a top, front and left side perspective view of a vacuum cleaner of a second embodiment thereof;
 FIG. 10 is a front elevational view thereof;
 FIG. 11 is a rear elevational view thereof;
 FIG. 12 is a right side elevational view thereof;
 FIG. 13 is a left side elevational view thereof;
 FIG. 14 is a top plan view thereof;
 FIG. 15 is a bottom plan view thereof;
 FIG. 16 is a top, rear and right side perspective view thereof;
 FIG. 17 is a top, front and left side perspective view of a third embodiment thereof;
 FIG. 18 is a front elevational view thereof;
 FIG. 19 is a top plan view thereof;
 FIG. 20 is a right side elevational view thereof;
 FIG. 21 is a left side elevational view thereof;
 FIG. 22 is a top plan view thereof; and,
 FIG. 23 is a bottom plan view thereof.

1 Claim, 20 Drawing Sheets



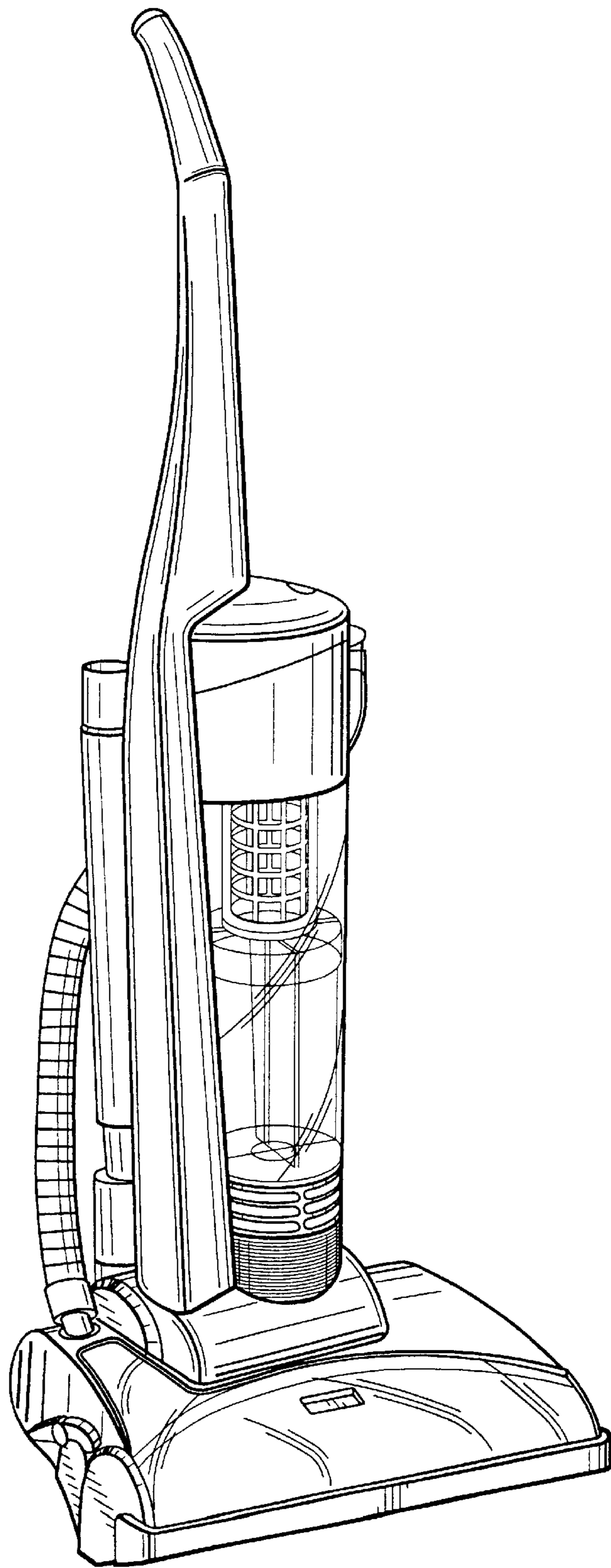


Fig. 1

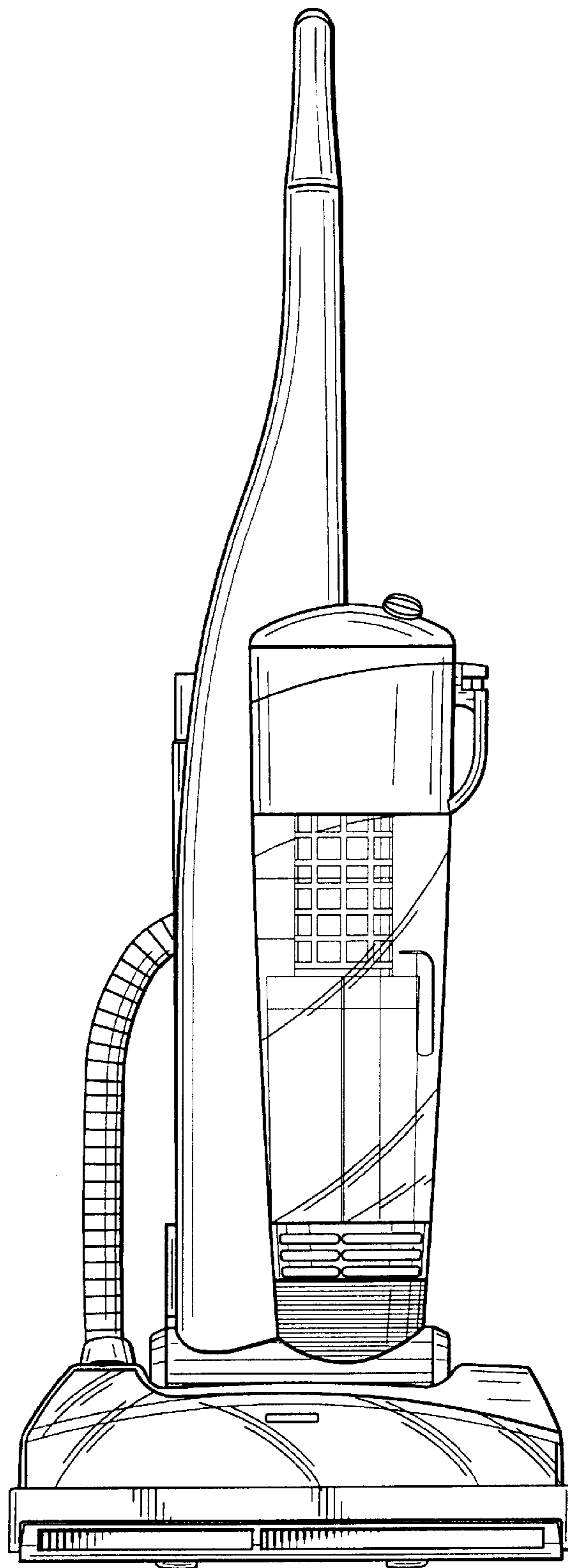


Fig.2

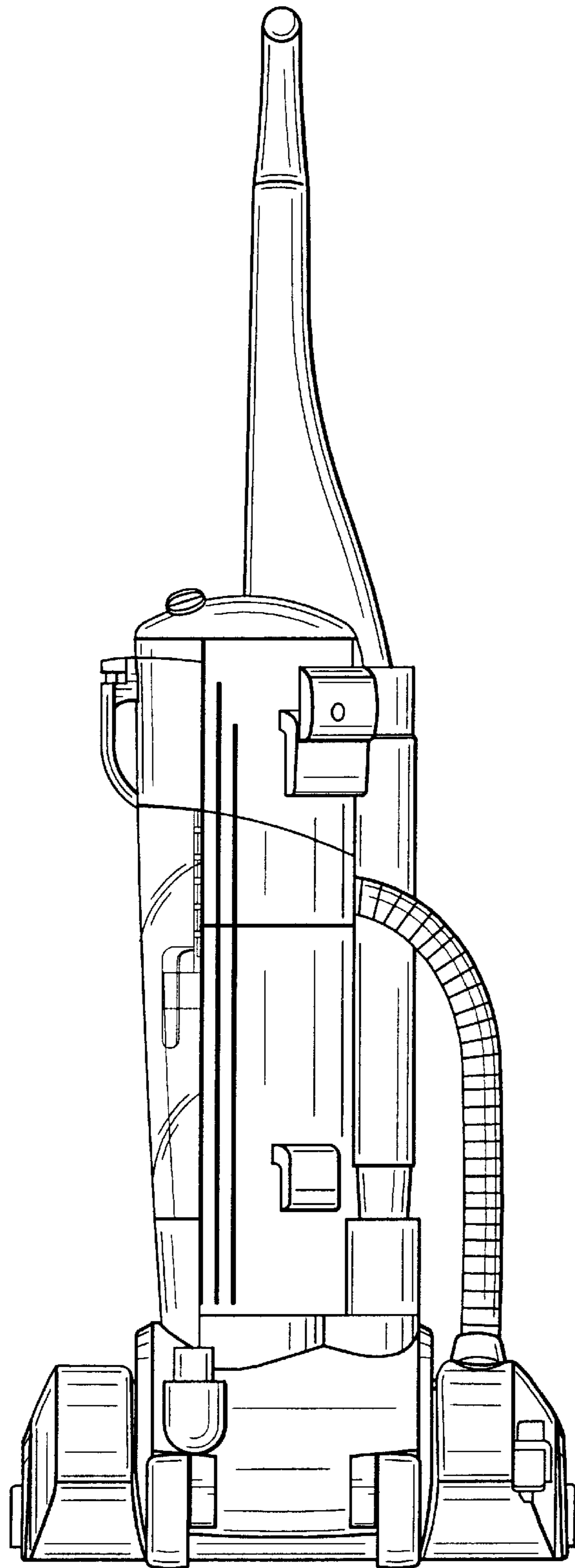


Fig.3

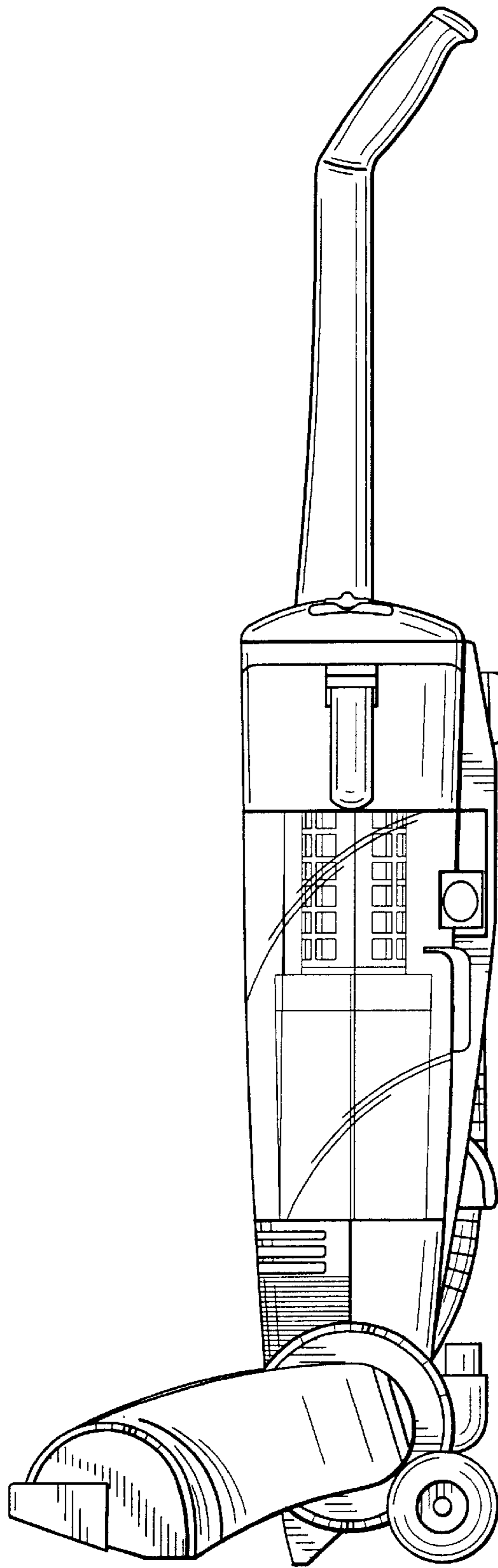


Fig.4

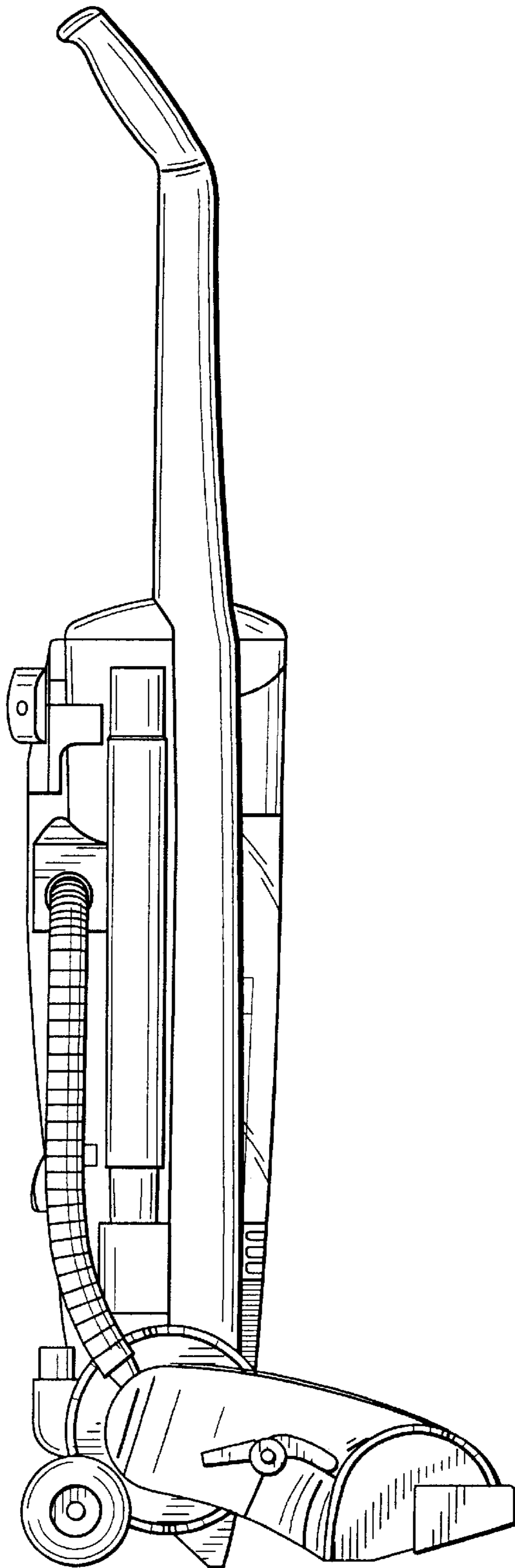


Fig.5

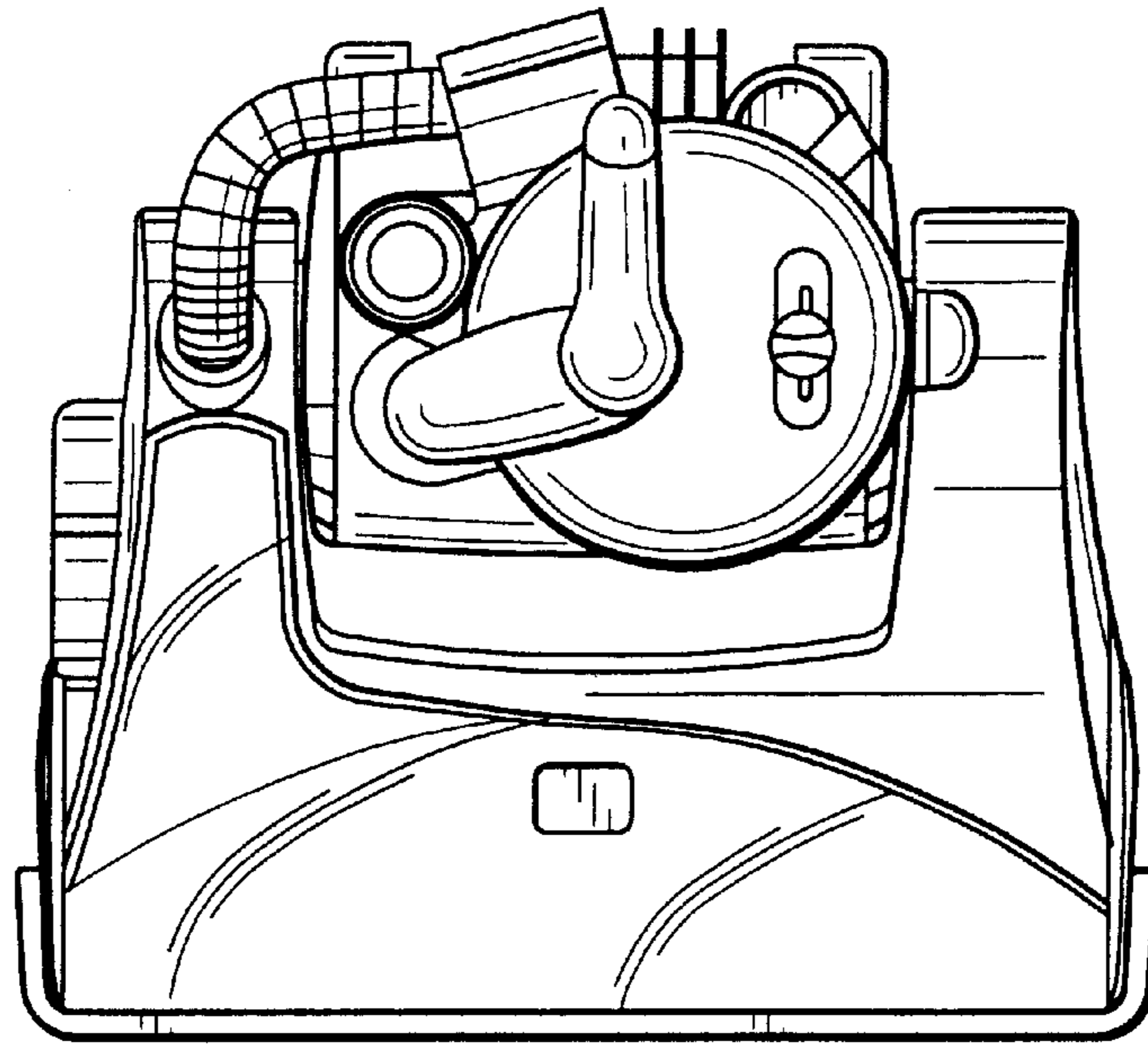


Fig.6

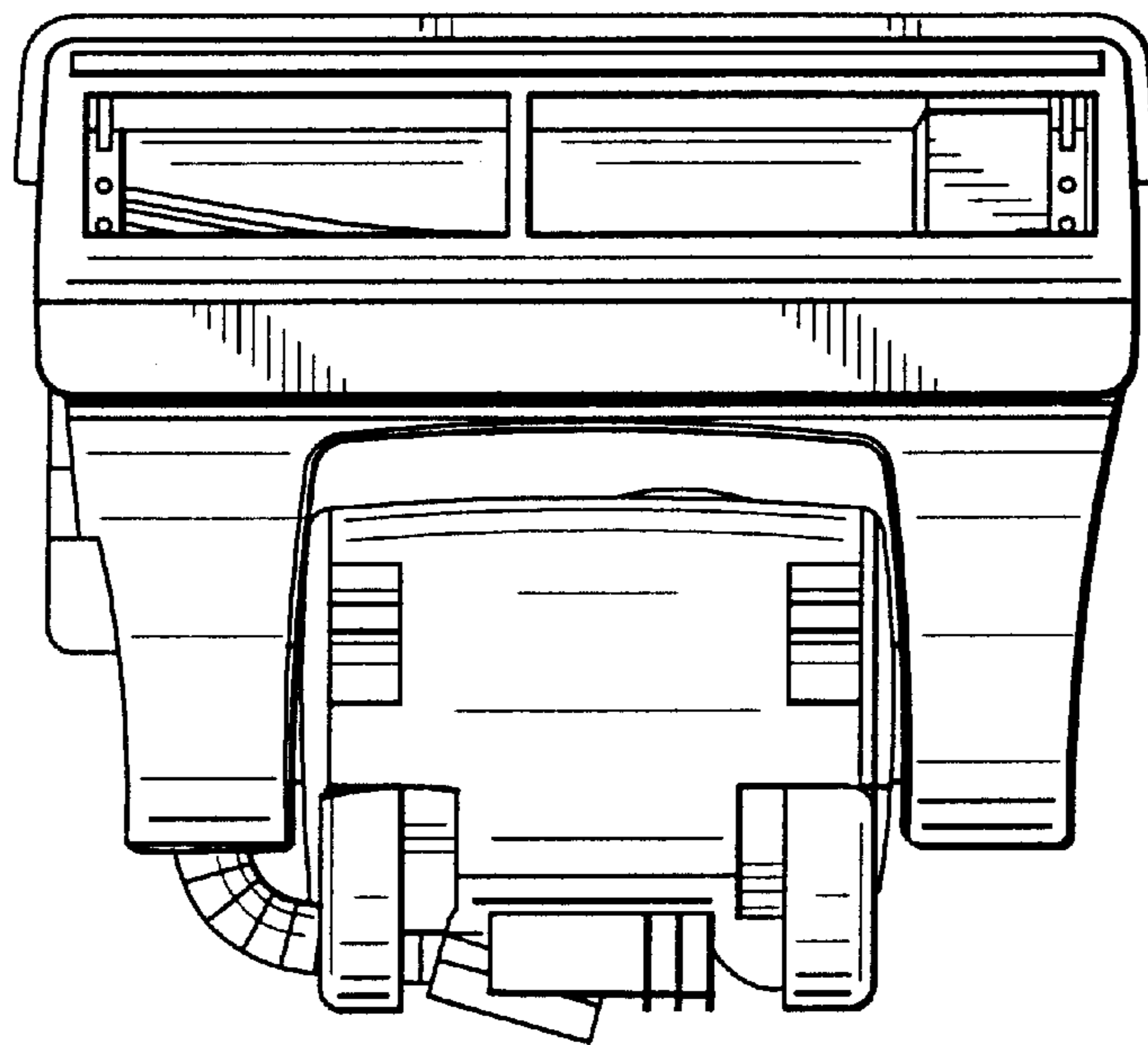


Fig.7

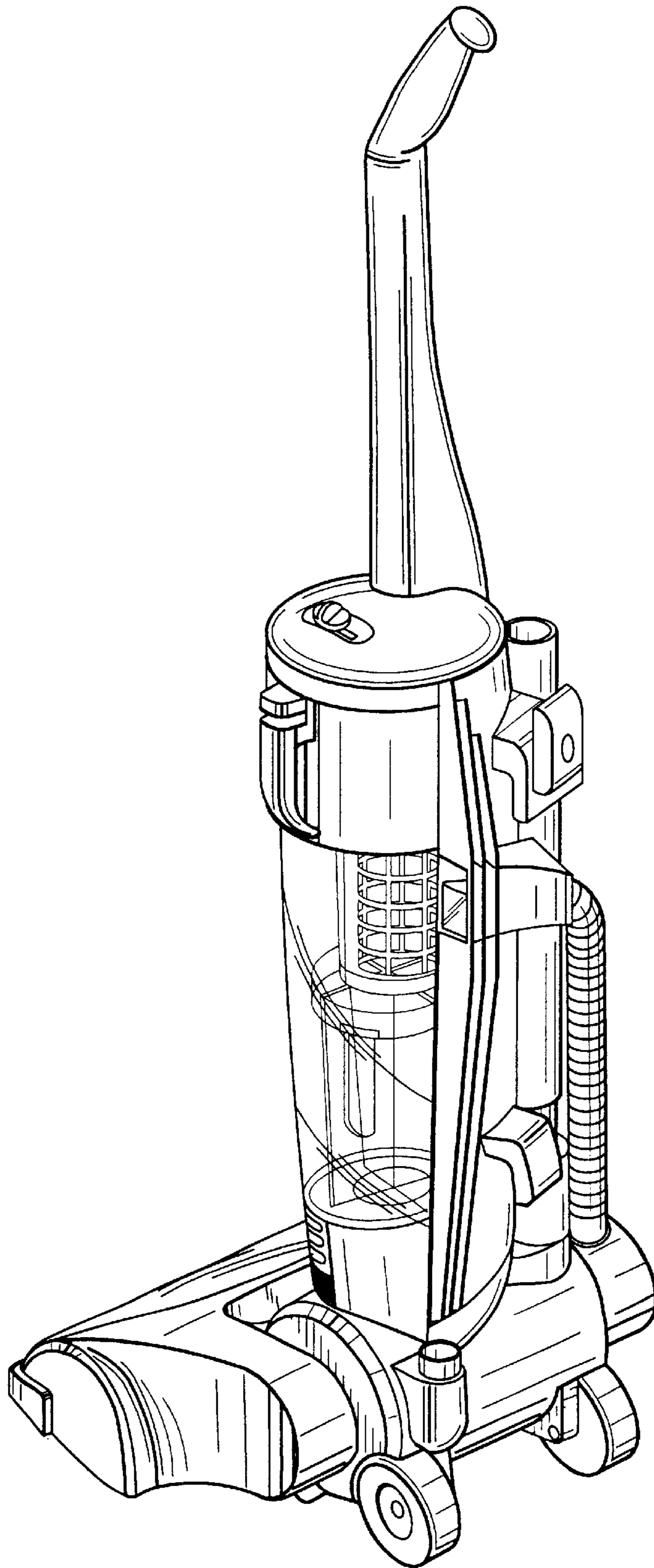


Fig.8

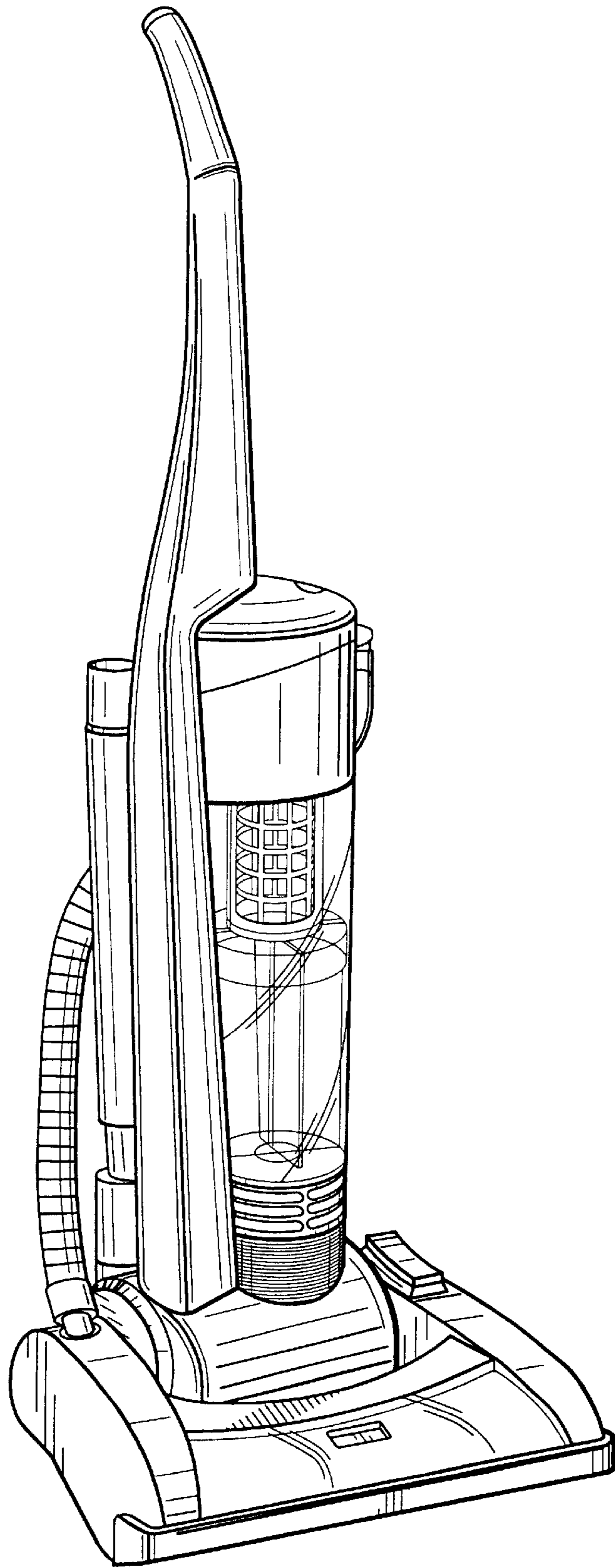


Fig.9

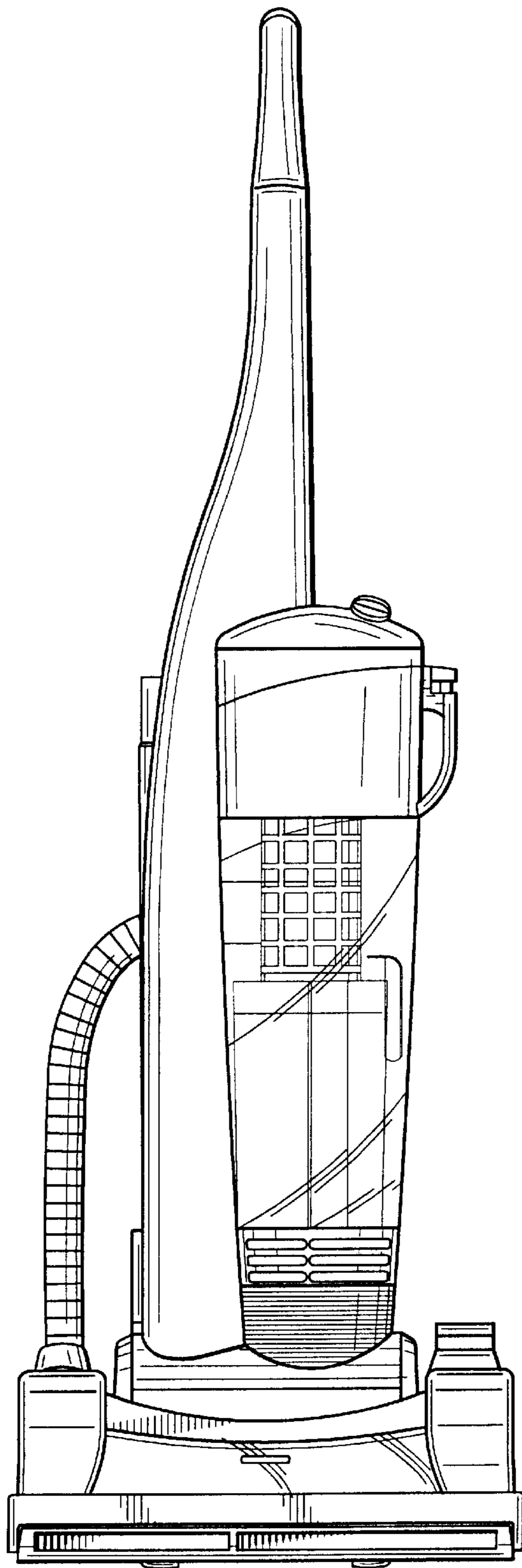


Fig.10

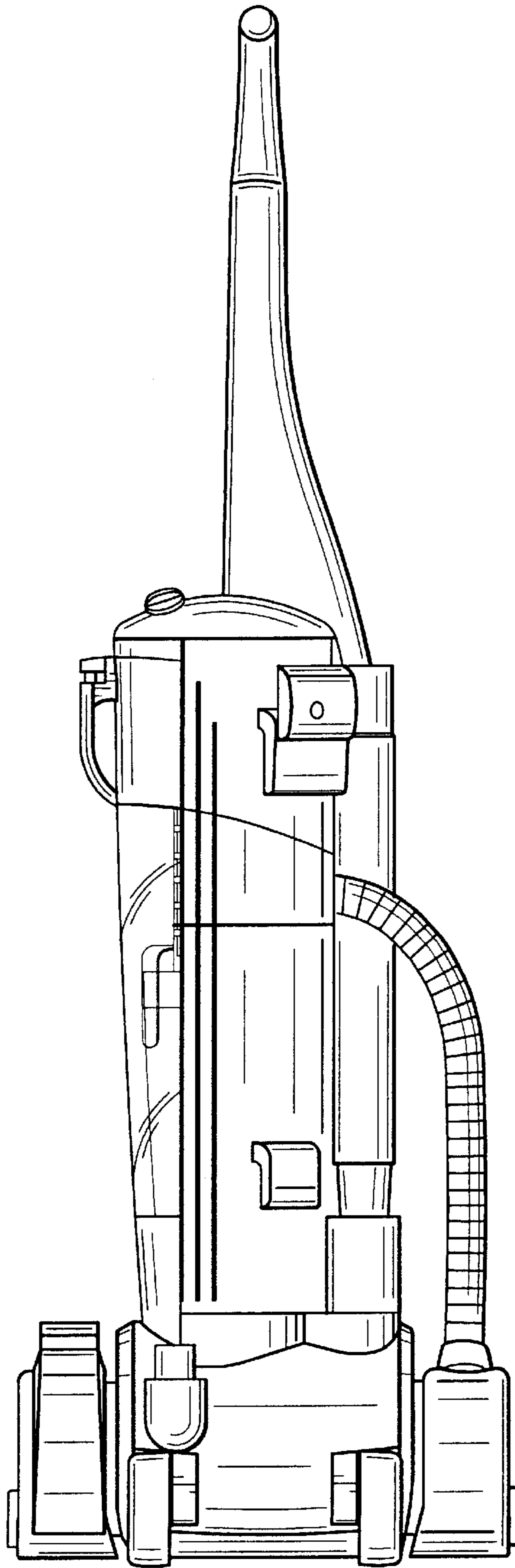


Fig.11

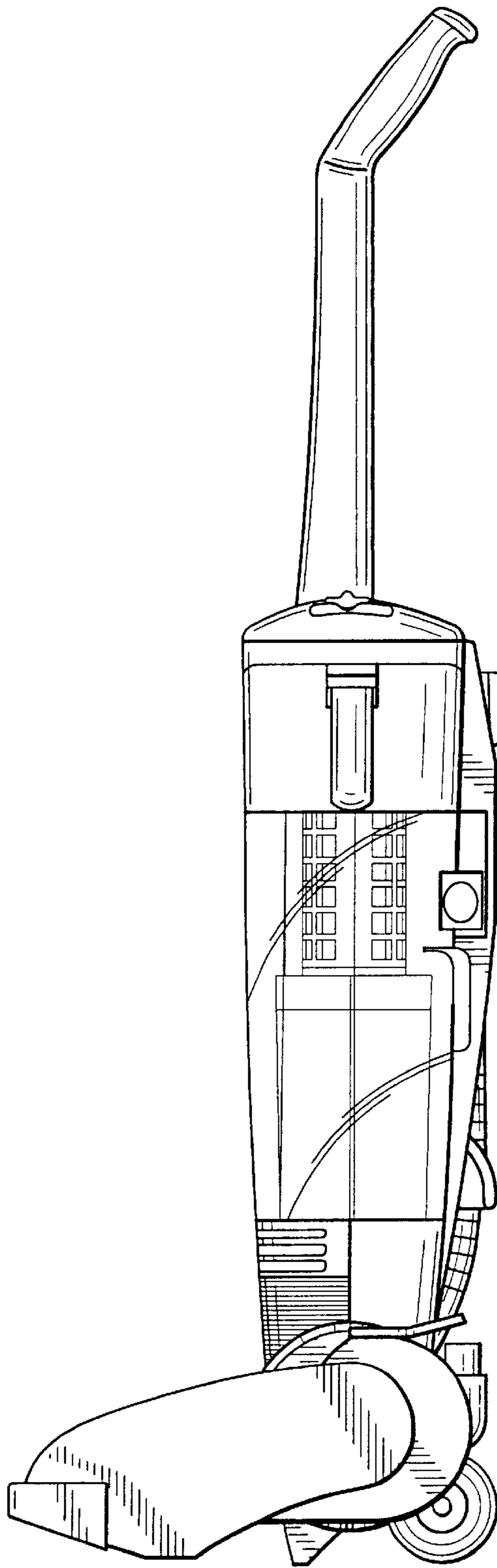


Fig.12

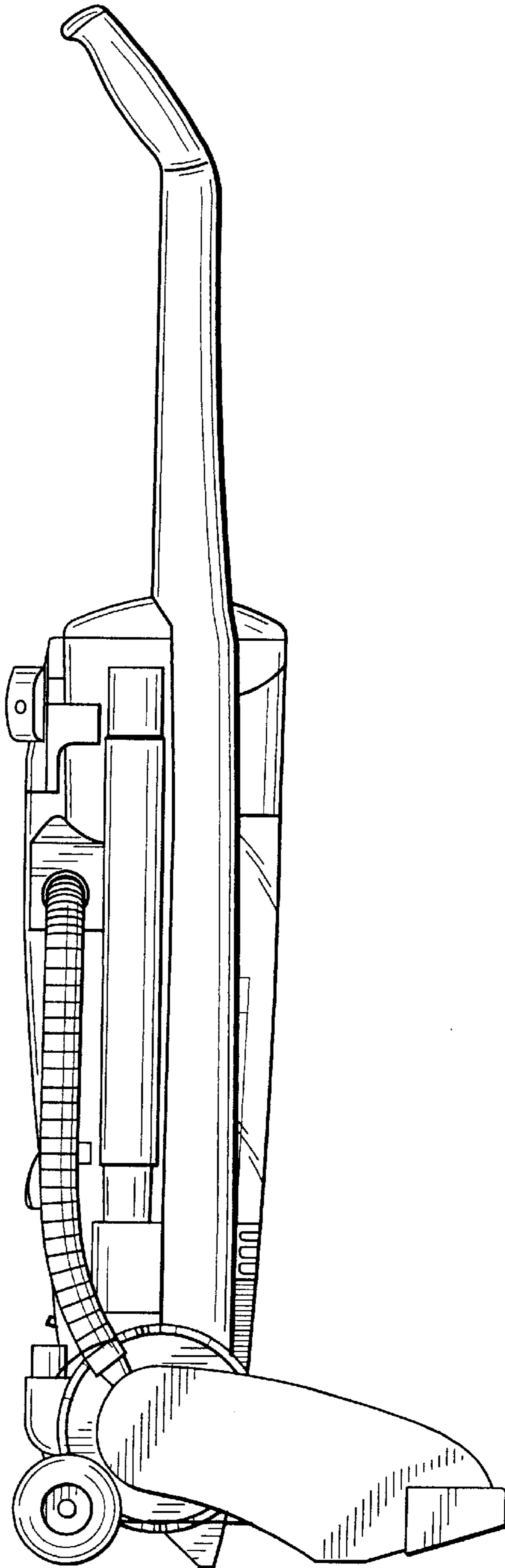


Fig.13

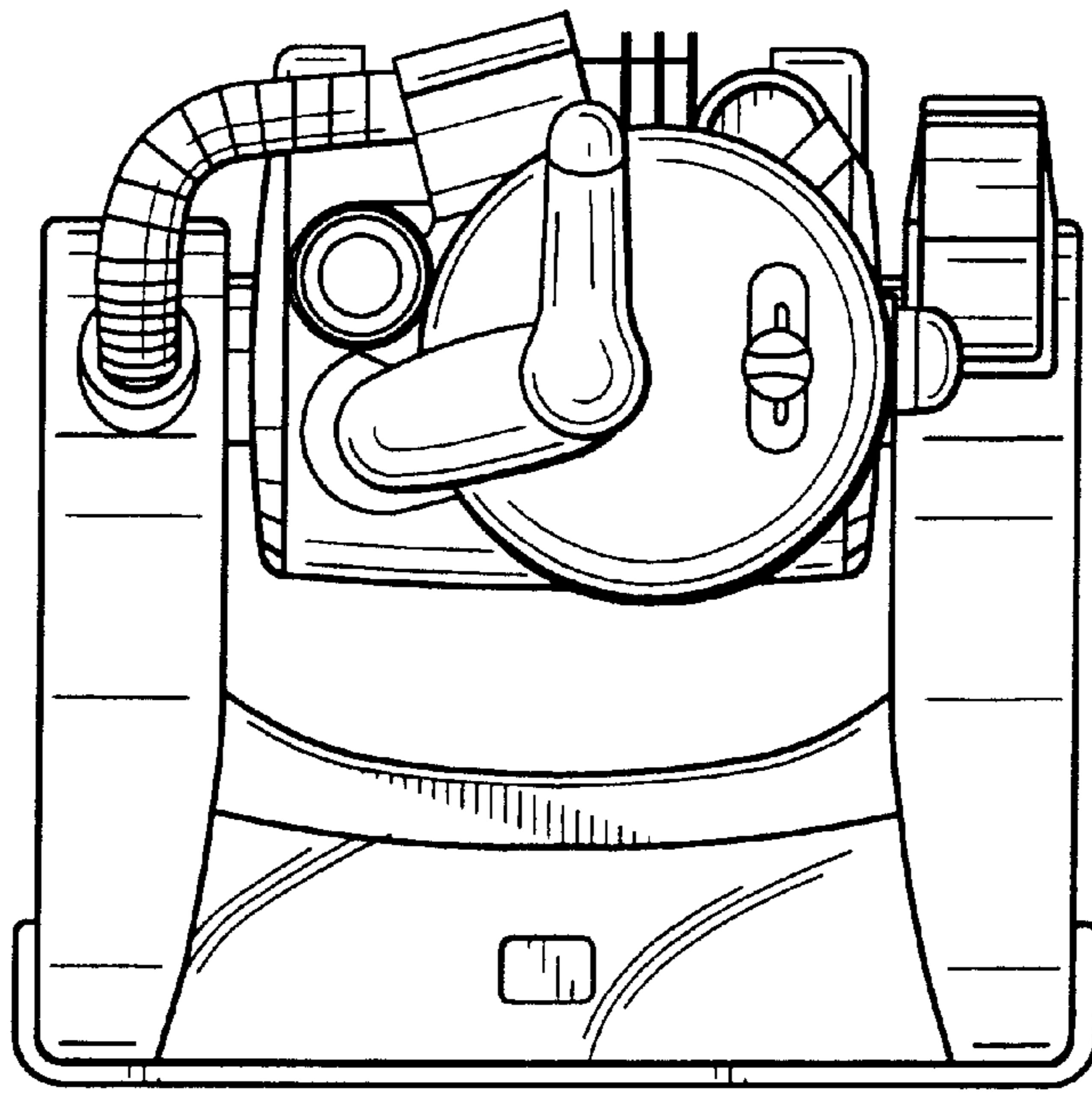


Fig. 14

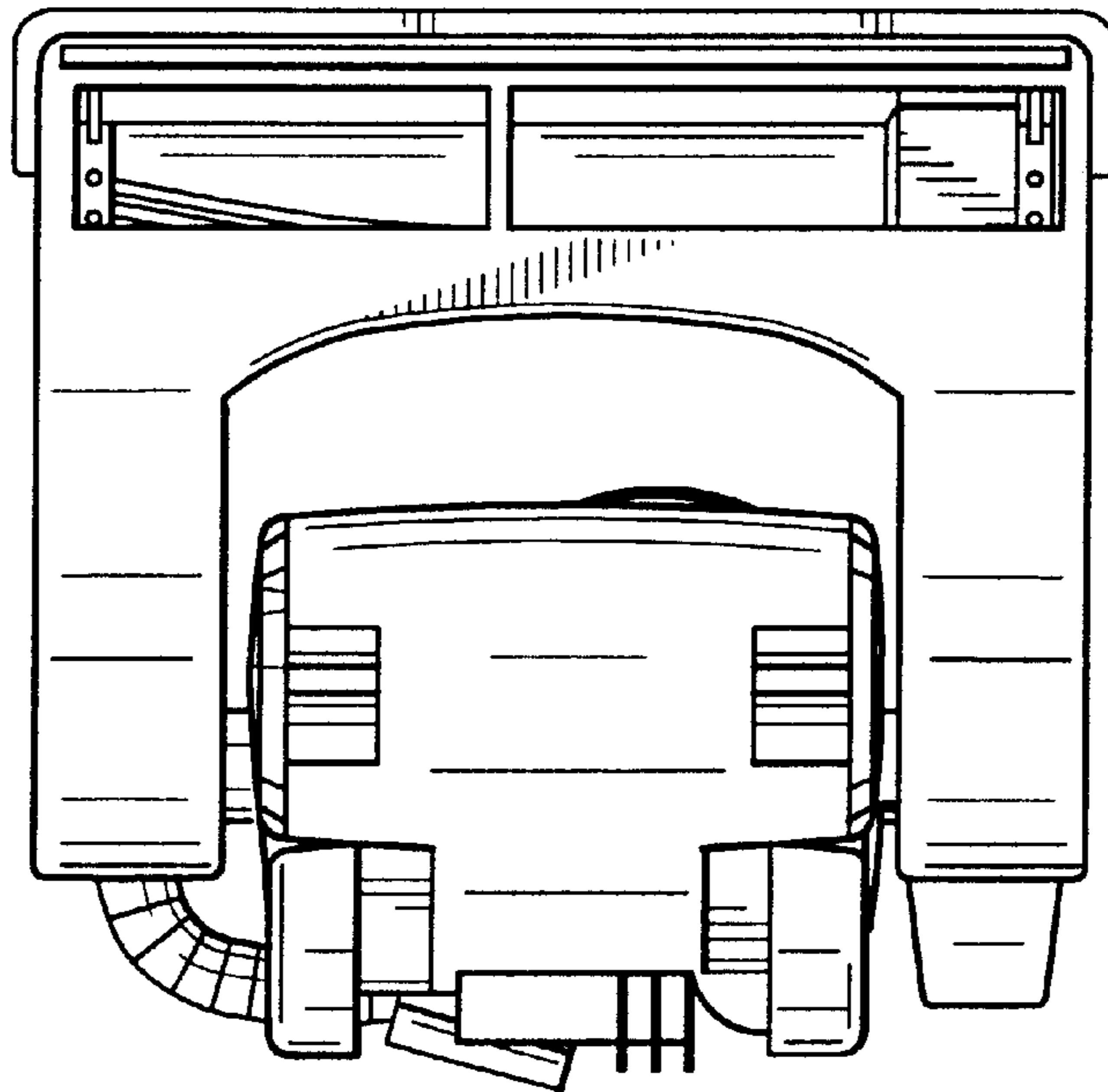


Fig. 15

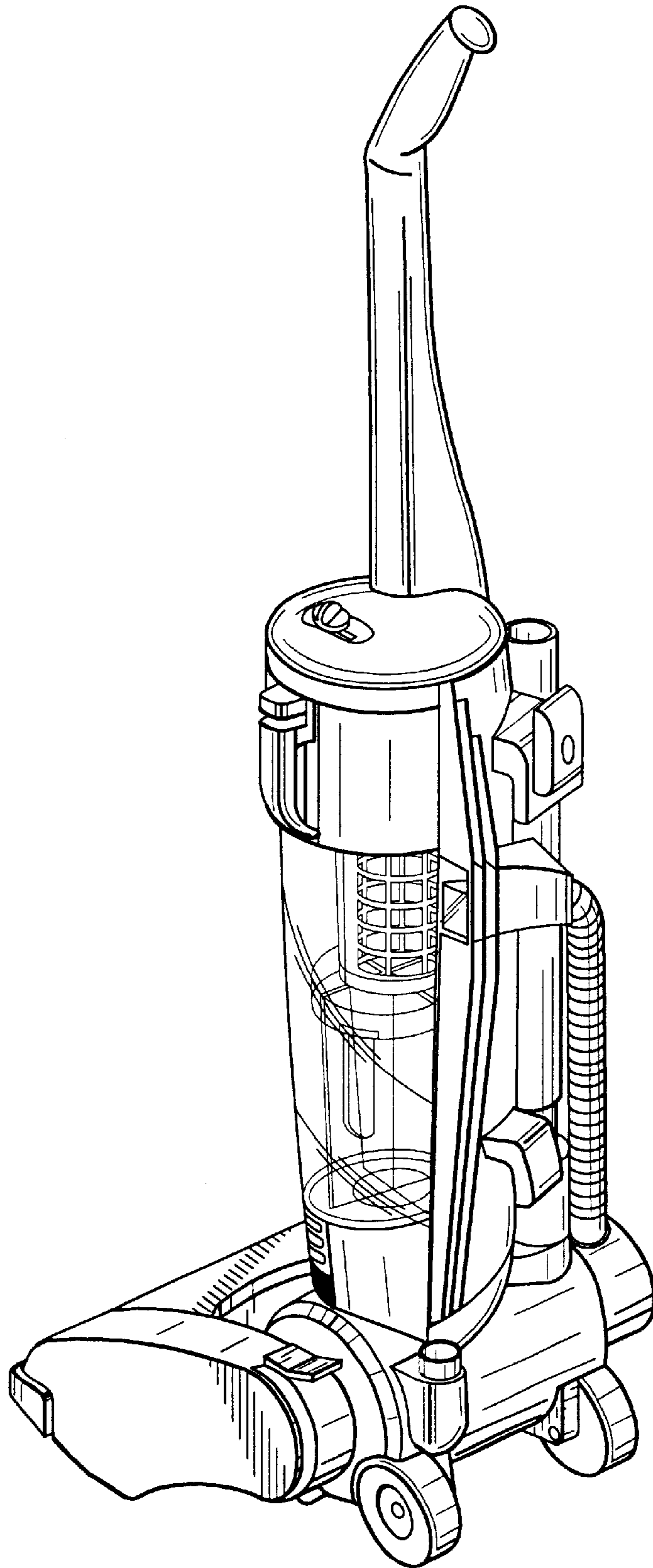


Fig.16

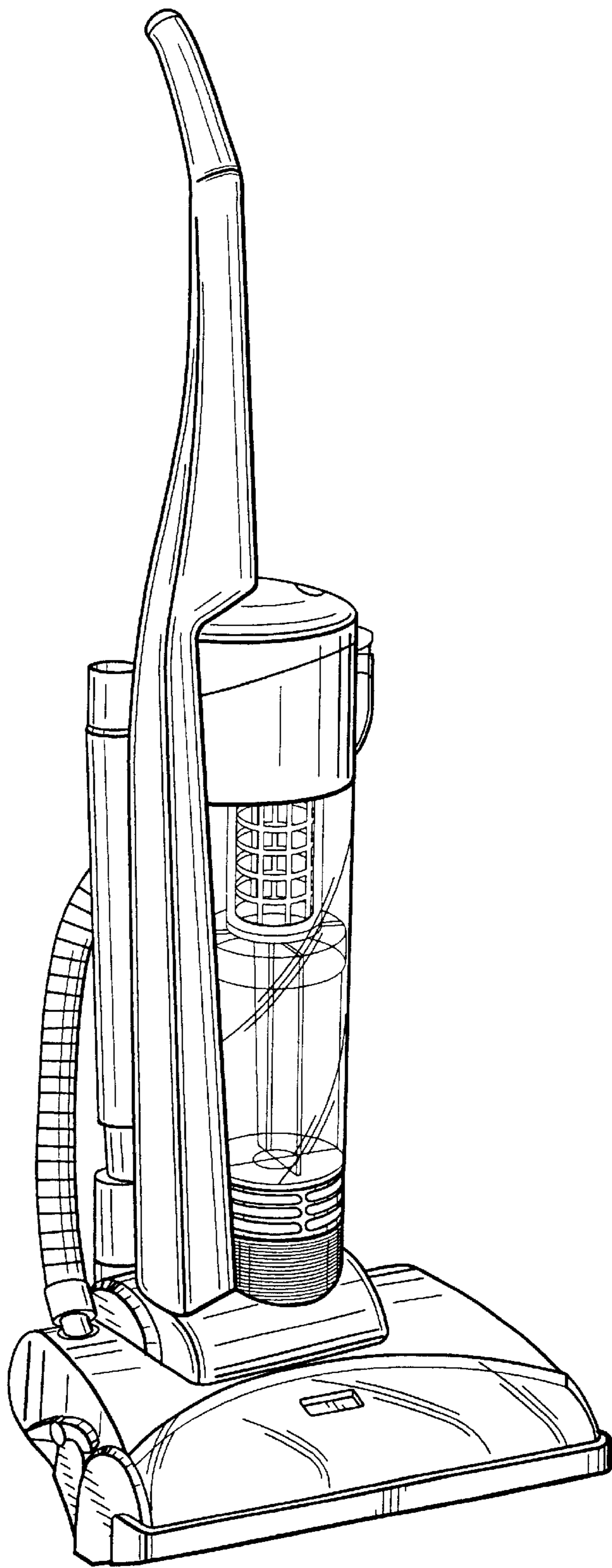


Fig.17

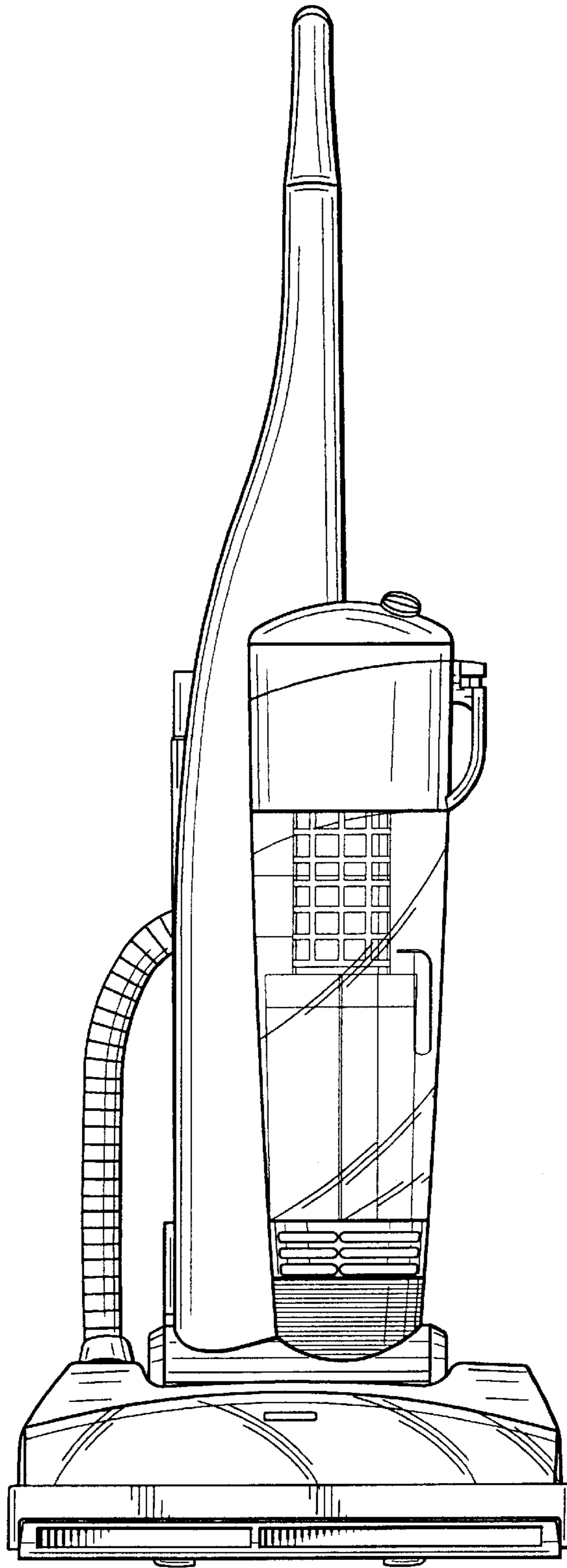


Fig.18

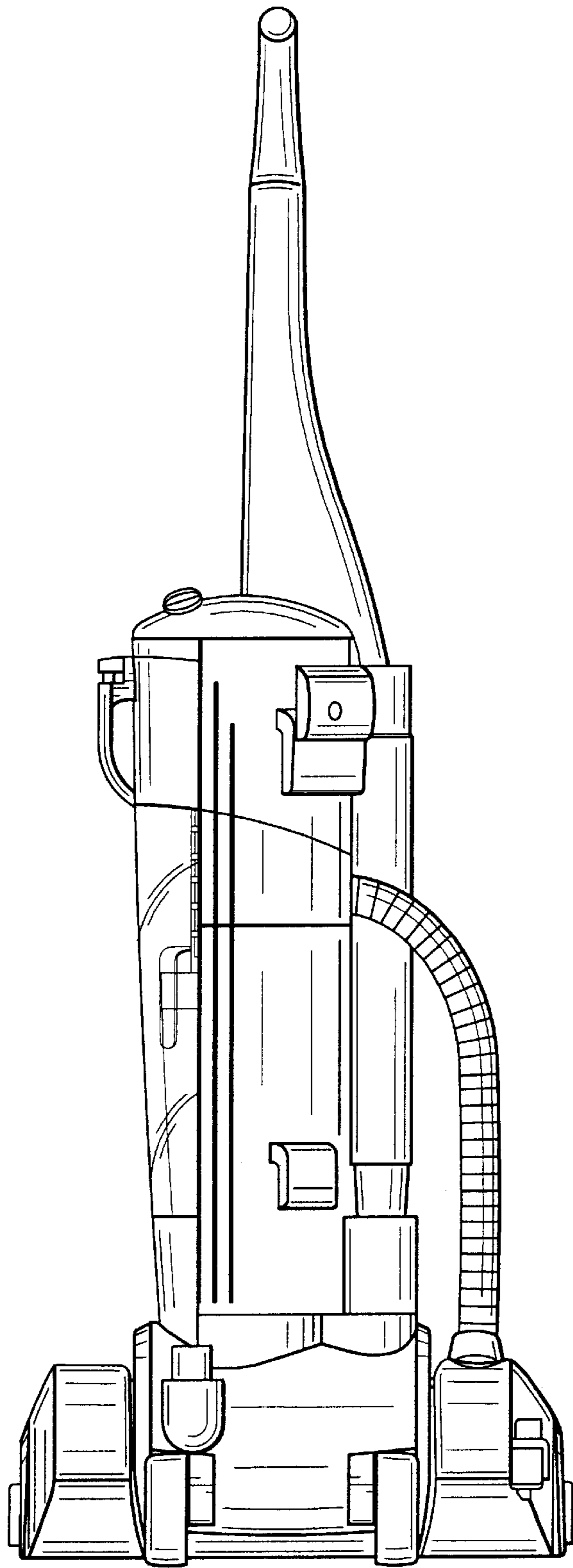


Fig.19

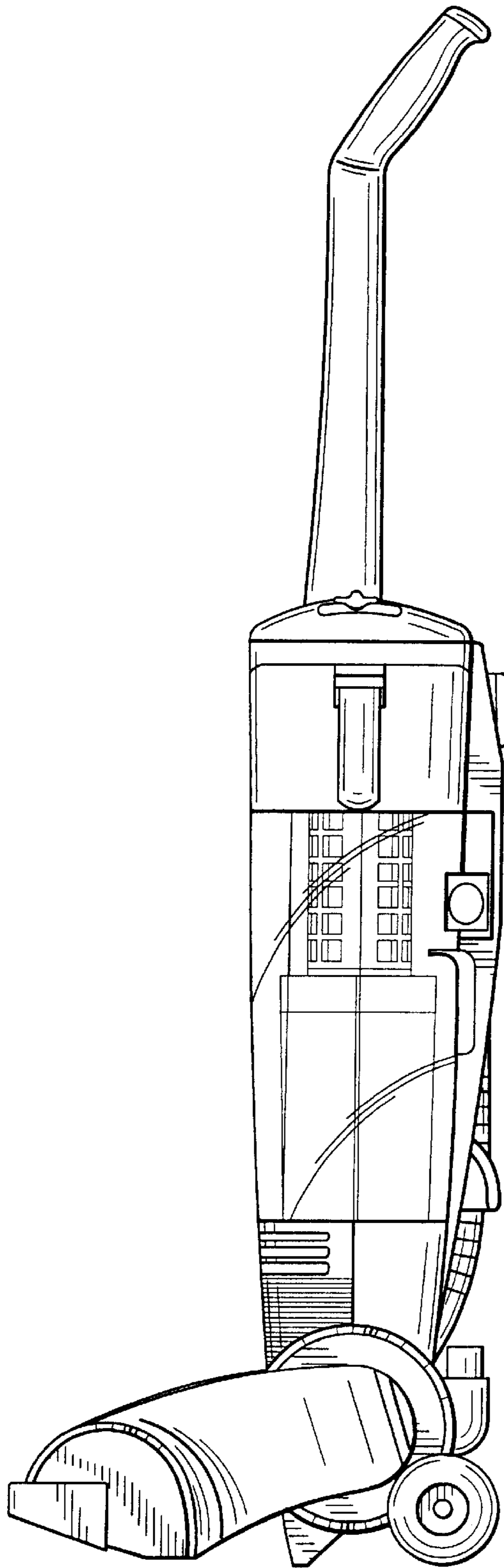


Fig.20

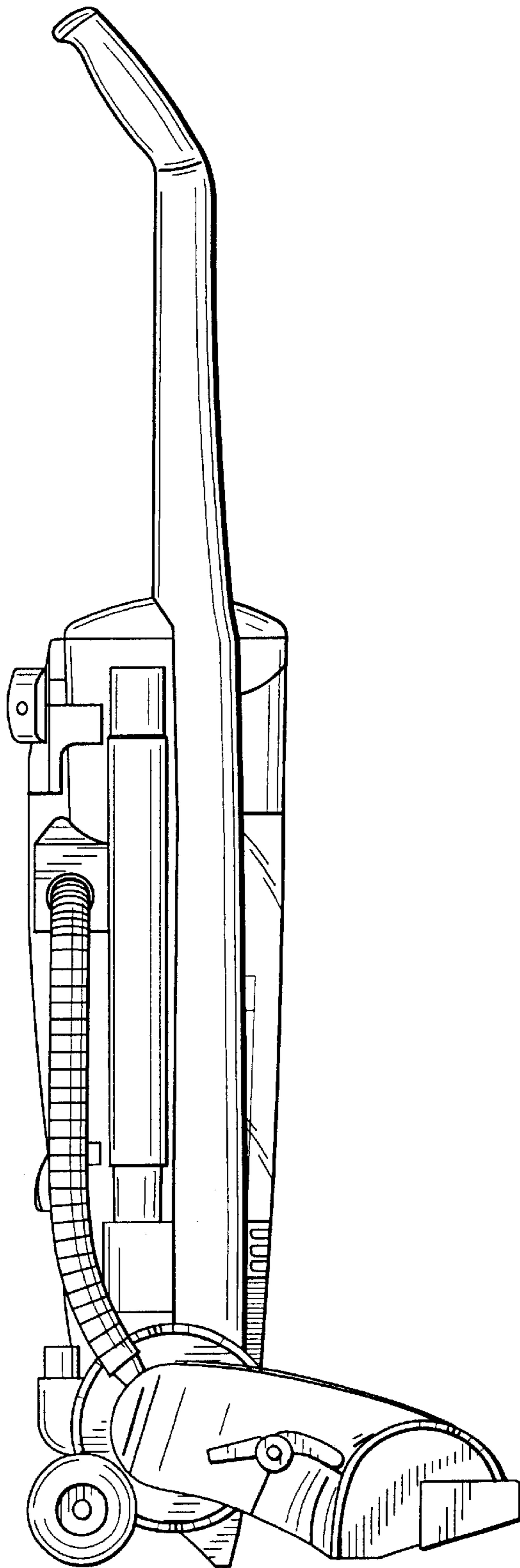


Fig.21

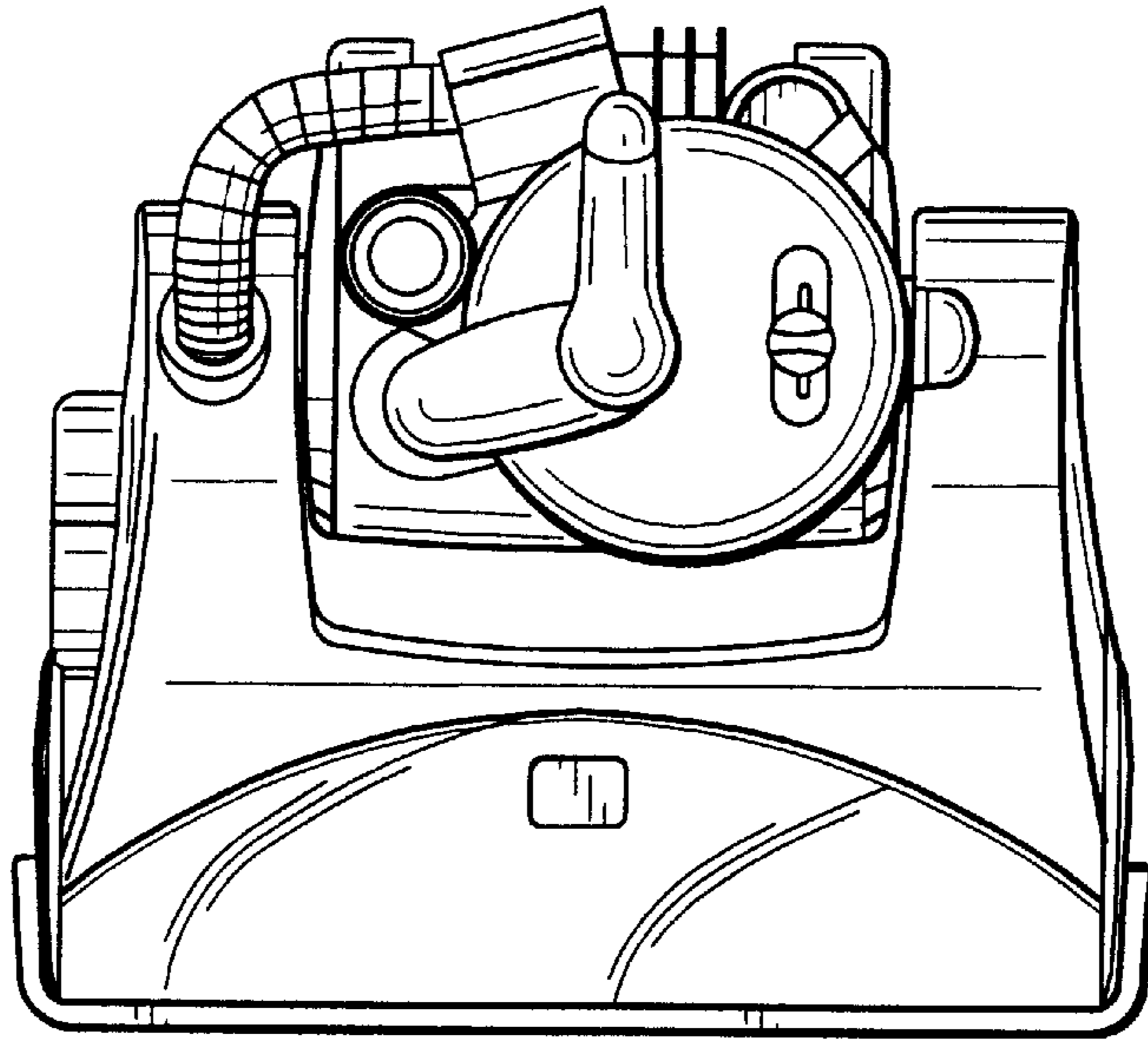


Fig.22

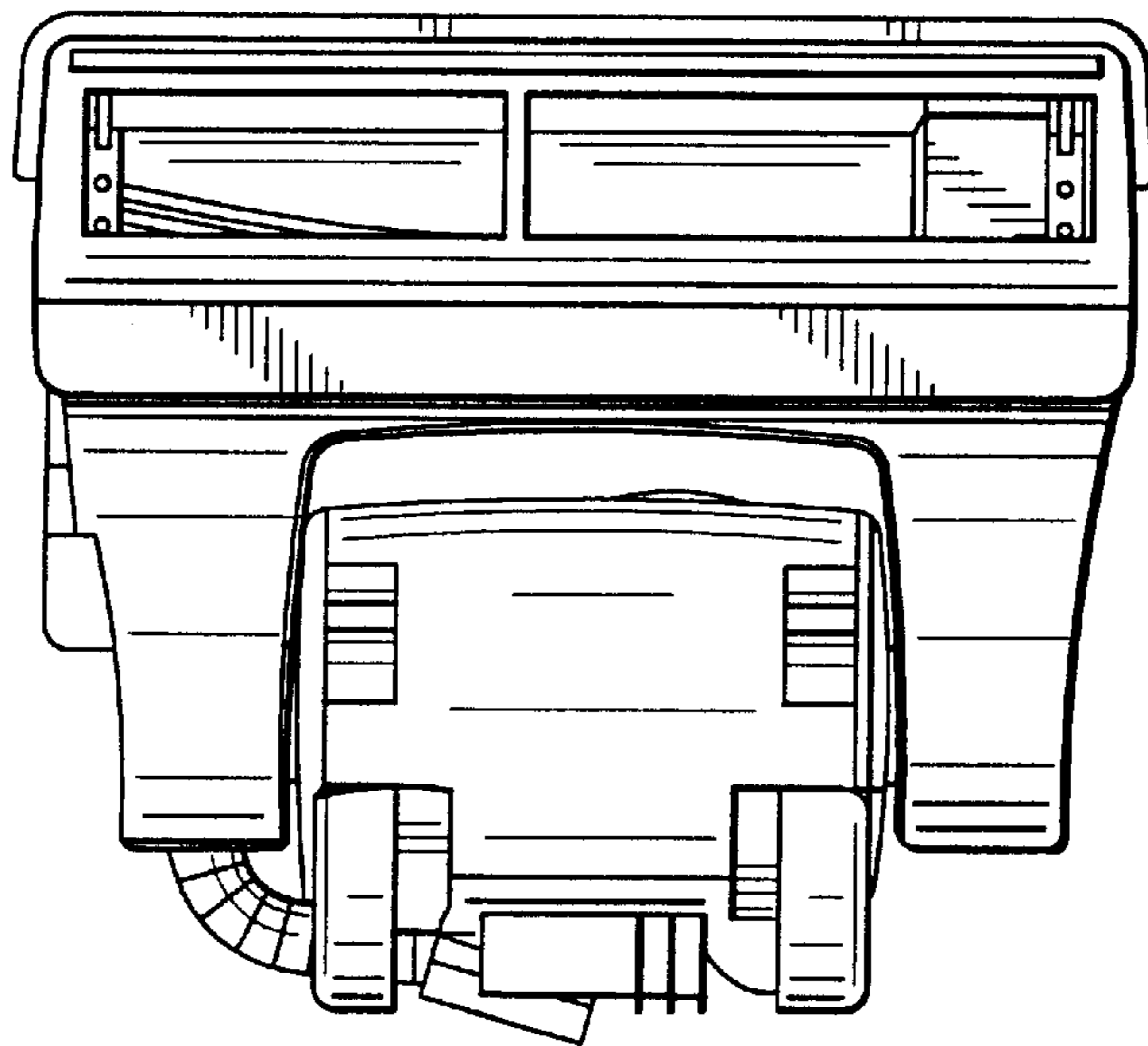


Fig.23