



US00D481179S

(12) **United States Design Patent**
Wendt et al.

(10) **Patent No.:** **US D481,179 S**

(45) **Date of Patent:** **** Oct. 21, 2003**

(54) **DISHWASHER UTILITY BASKET**

(75) Inventors: **Karl R. C. Wendt**, Jackson, TN (US);
Christopher W. Vaughn, Jackson, TN
(US); **Ginger L. Allen**, Medina, TN
(US); **Heather M. Hagans**, Jackson,
TN (US); **Barry E. Tuller**, Humboldt,
TN (US); **John H. Miilu**, Jackson, TN
(US)

(73) Assignee: **Maytag Corporation**, Newton, IA (US)

(**) Term: **14 Years**

(21) Appl. No.: **29/169,695**

(22) Filed: **Oct. 24, 2002**

(51) **LOC (7) Cl.** **15-05**

(52) **U.S. Cl.** **D32/3; D3/309**

(58) **Field of Search** D32/2-3, 25; 68/152-156,
68/212; 510/220; 220/487-488, 553-555,
DIG. 12, DIG. 14; 206/512-513, 557, 561,
565, 821; 211/41.8, 41.9; D3/305-306,
309, 311, 313-314; D24/227-228

(56) **References Cited**

U.S. PATENT DOCUMENTS

D316,168 S * 4/1991 Miller D32/25

5,009,053 A * 4/1991 Langenbeck et al. ... 206/557 X

5,086,544 A 2/1992 Huttemann et al.

5,462,348 A 10/1995 Ellingson et al.

D395,548 S * 6/1998 Morissette D3/306 X

5,881,906 A * 3/1999 Rogers et al. 220/488 X

* cited by examiner

Primary Examiner—Louis S. Zarfes

Assistant Examiner—Robert A. Delehanty

(74) *Attorney, Agent, or Firm*—McKee Voorhees & Sease,
P.L.C.

(57) **CLAIM**

The ornamental design for a dishwasher utility basket, as shown and described.

DESCRIPTION

FIG. 1 is a perspective view of the dishwasher utility basket of the present invention.

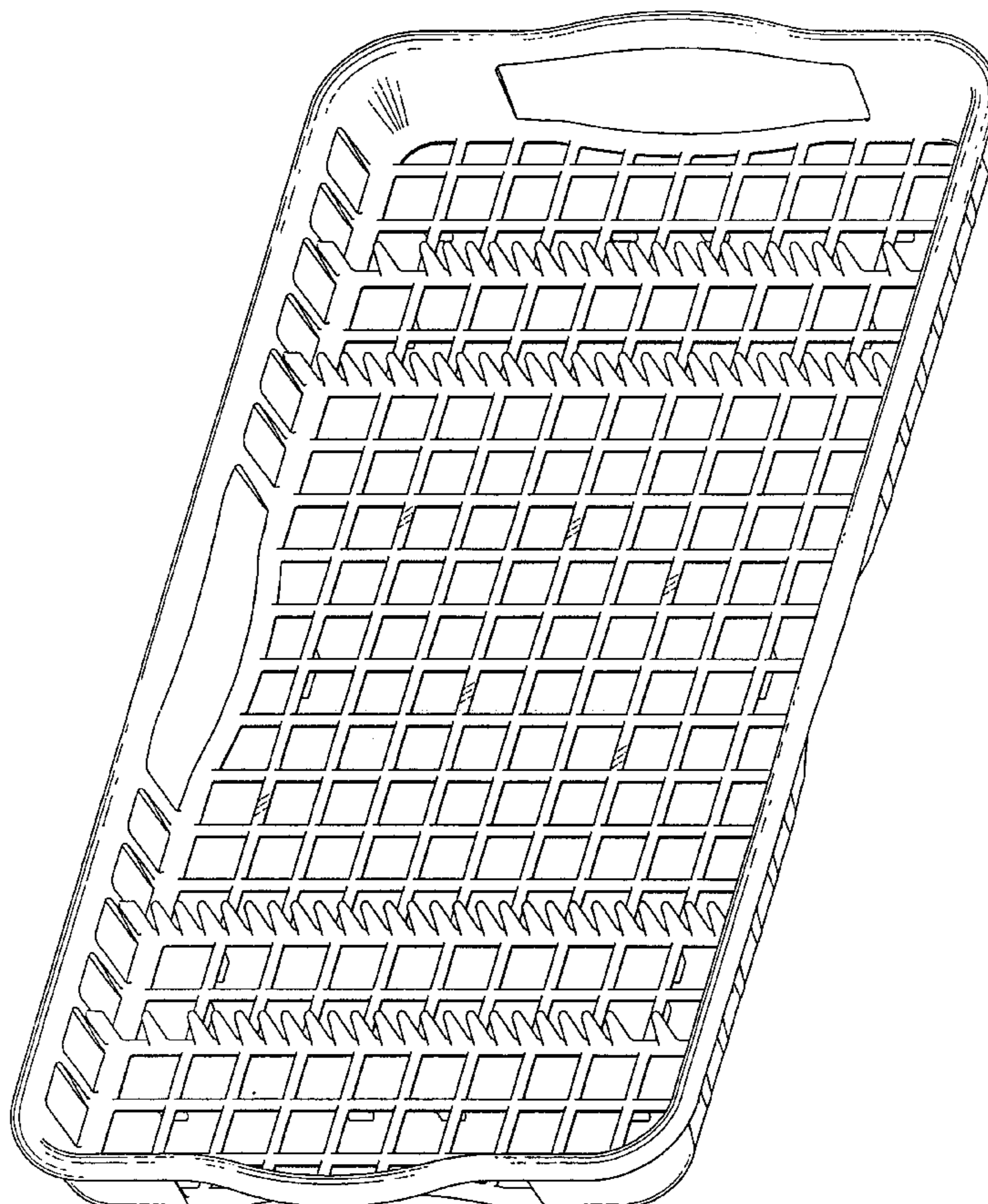
FIG. 2 is a top plan view of the utility basket.

FIG. 3 is a bottom view of the utility basket.

FIG. 4 is a side elevation view of the utility basket, with the opposite side elevation view being a mirror image; and,

FIG. 5 is an end elevation view of the utility basket, with the opposite end elevation view being a mirror image.

1 Claim, 4 Drawing Sheets



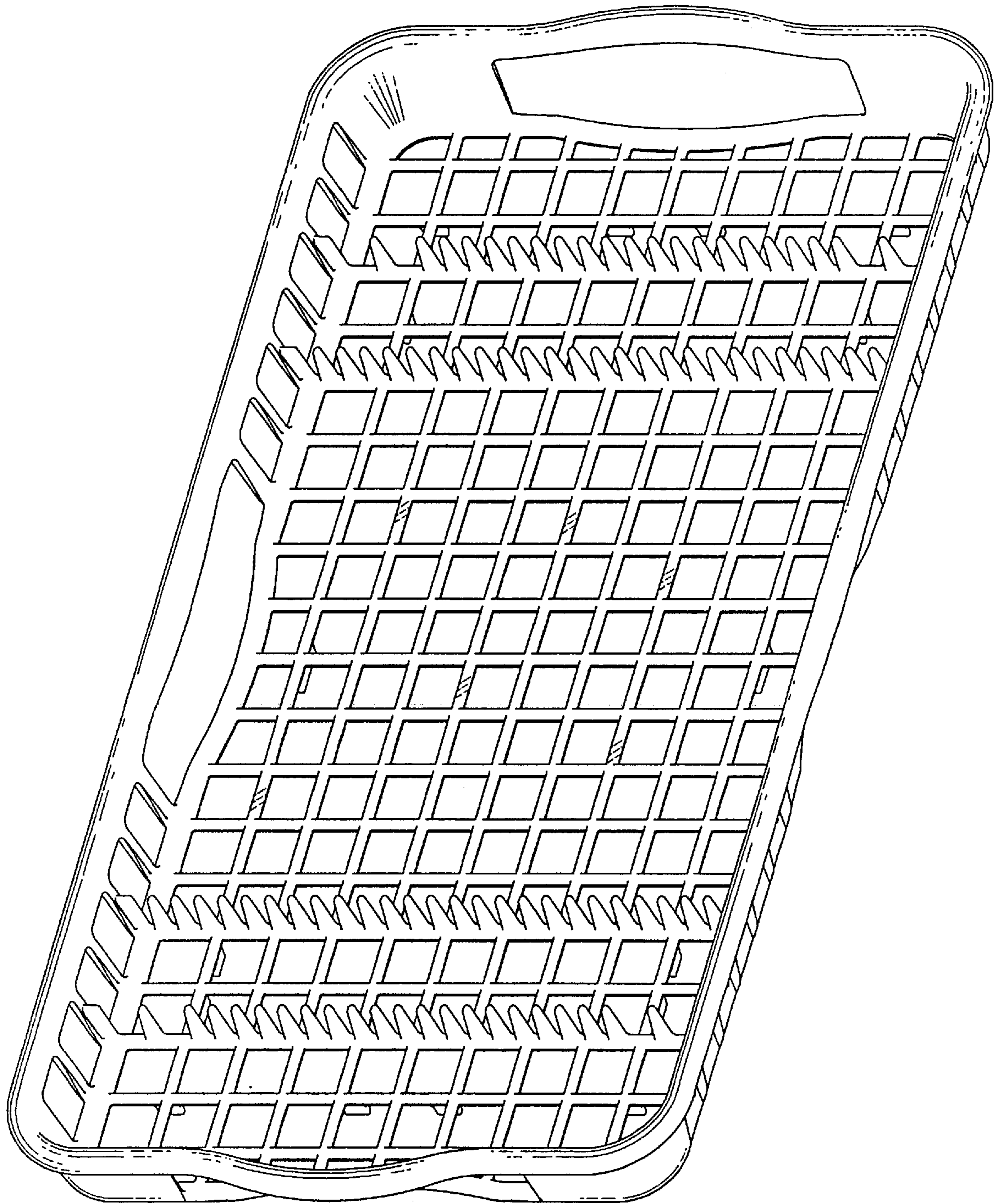


Fig. 1

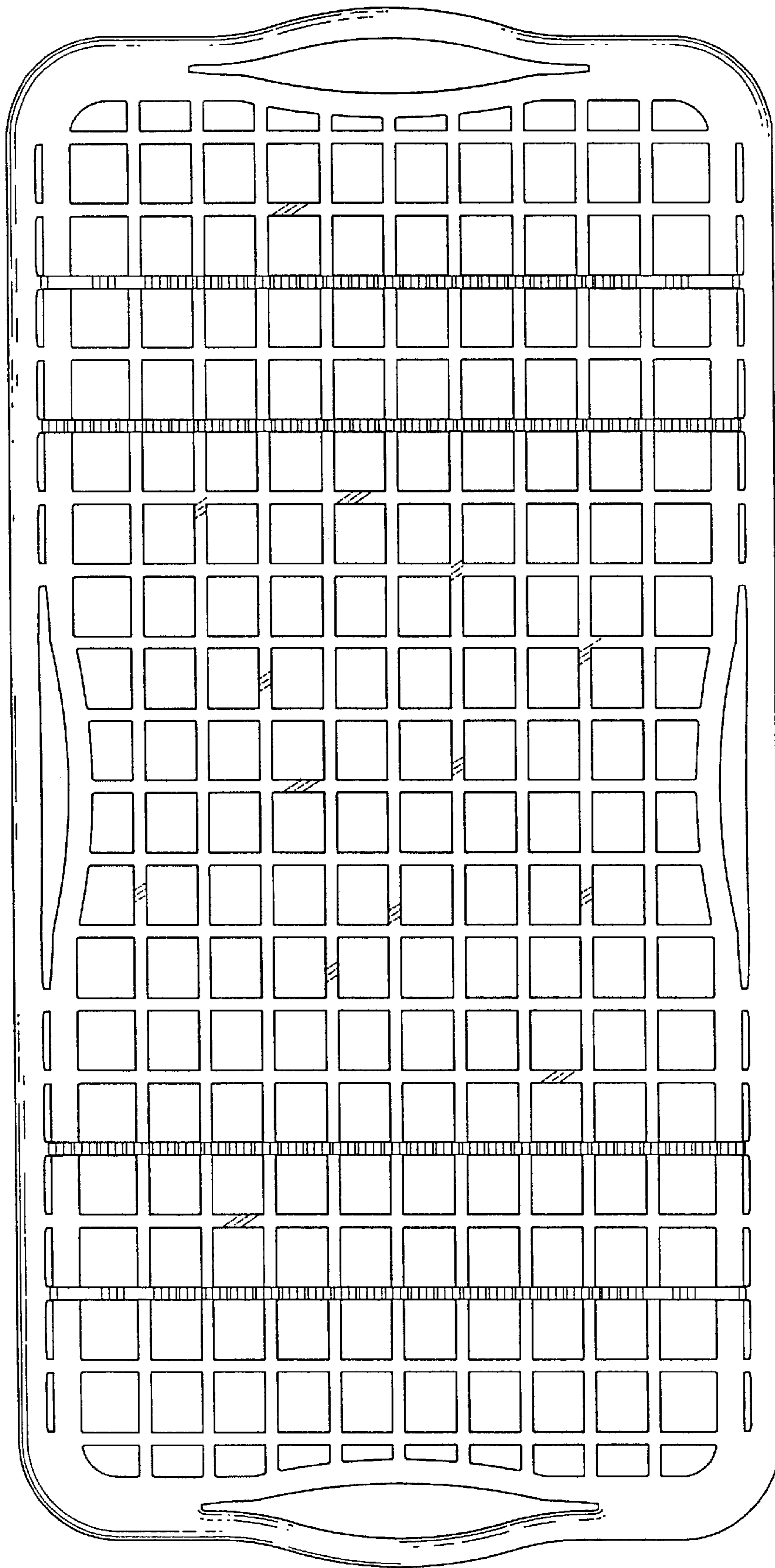


Fig. 2

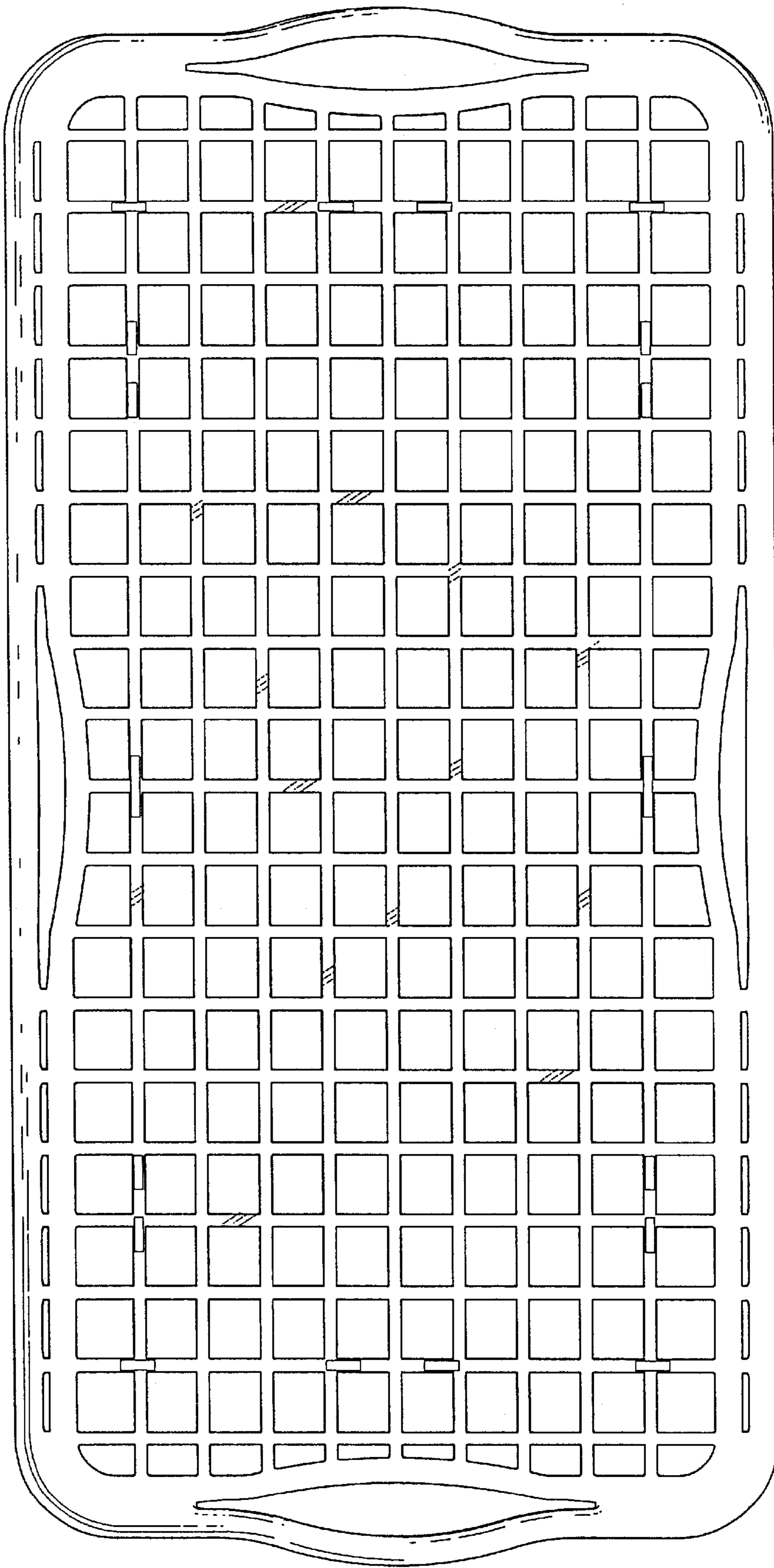


Fig. 3

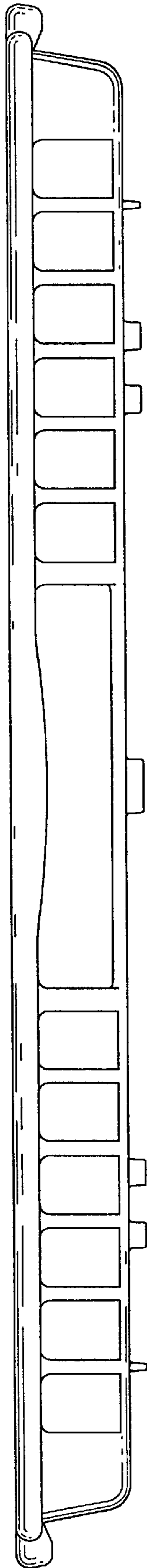


Fig. 4

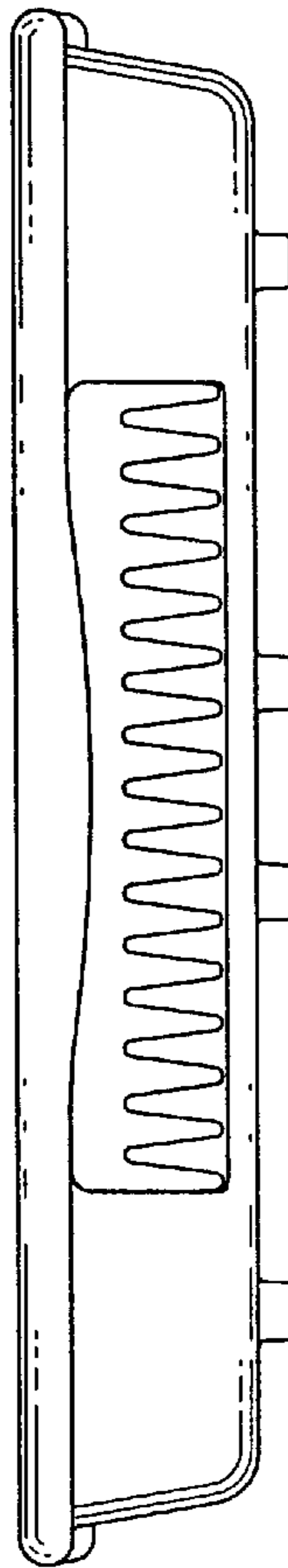


Fig. 5