



US00D481178S

(12) **United States Design Patent**
Wendt et al.

(10) **Patent No.:** **US D481,178 S**

(45) **Date of Patent:** **** Oct. 21, 2003**

(54) **DISHWASHER DETERGENT DISPENSER**

(75) Inventors: **Karl R. C. Wendt**, Jackson, TN (US);
Keith R. Verble, Huntsville, AL (US)

(73) Assignee: **Maytag Corporation**, Newton, IA (US)

(**) Term: **14 Years**

(21) Appl. No.: **29/168,436**

(22) Filed: **Oct. 2, 2002**

(51) **LOC (7) Cl.** **15-05**

(52) **U.S. Cl.** **D32/3**

(58) **Field of Search** D32/2-3, 25, 30;
D23/213; 222/153.01, 153.04; 68/12.18,
212; 34/594; 510/220; 134/93

(56) **References Cited**

U.S. PATENT DOCUMENTS

5,261,432 A * 11/1993 Sandrin 134/93

* cited by examiner

Primary Examiner—Louis S. Zarfaz

Assistant Examiner—Robert A. Delehanty

(74) *Attorney, Agent, or Firm*—McKee, Voorhees & Sease,
P.L.C.

(57) **CLAIM**

We claim the ornamental design for a dishwasher detergent dispenser, or similar article substantially as shown.

DESCRIPTION

FIG. 1 is a perspective view of the dishwasher detergent dispenser of the present invention.

FIG. 2 is a top plan view of the dispenser with the lid in a closed position.

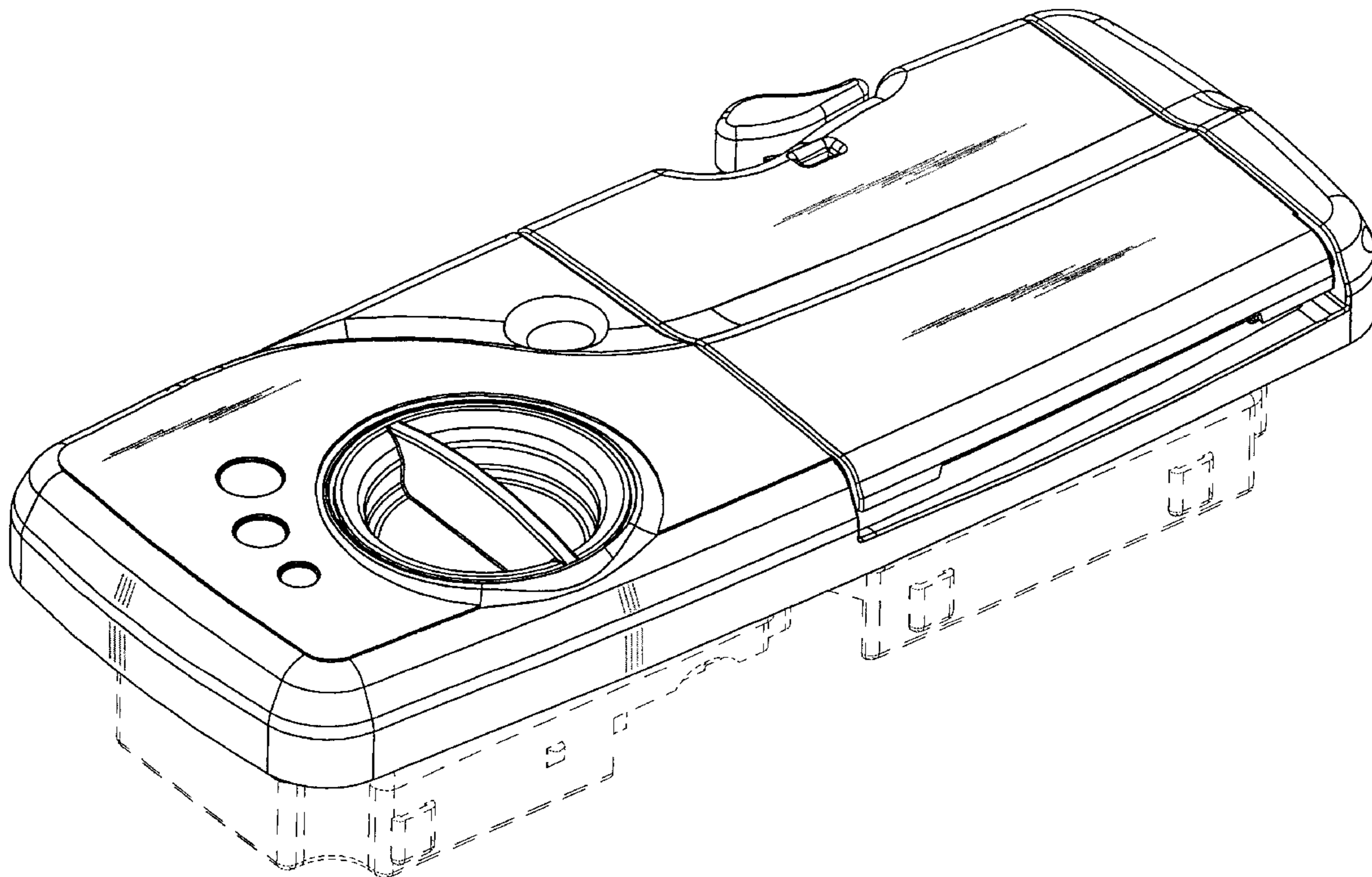
FIG. 3 is a right side elevation view of the dispenser.

FIG. 4 is a left side elevation view of the dispenser.

FIG. 5 is a right end elevation view of the dispenser; and, FIG. 6 is a left end elevation view of the dispenser.

Applicant makes no claim to the bottom of the dispenser which is not visible when the dispenser is mounted in a dishwasher door.

1 Claim, 6 Drawing Sheets



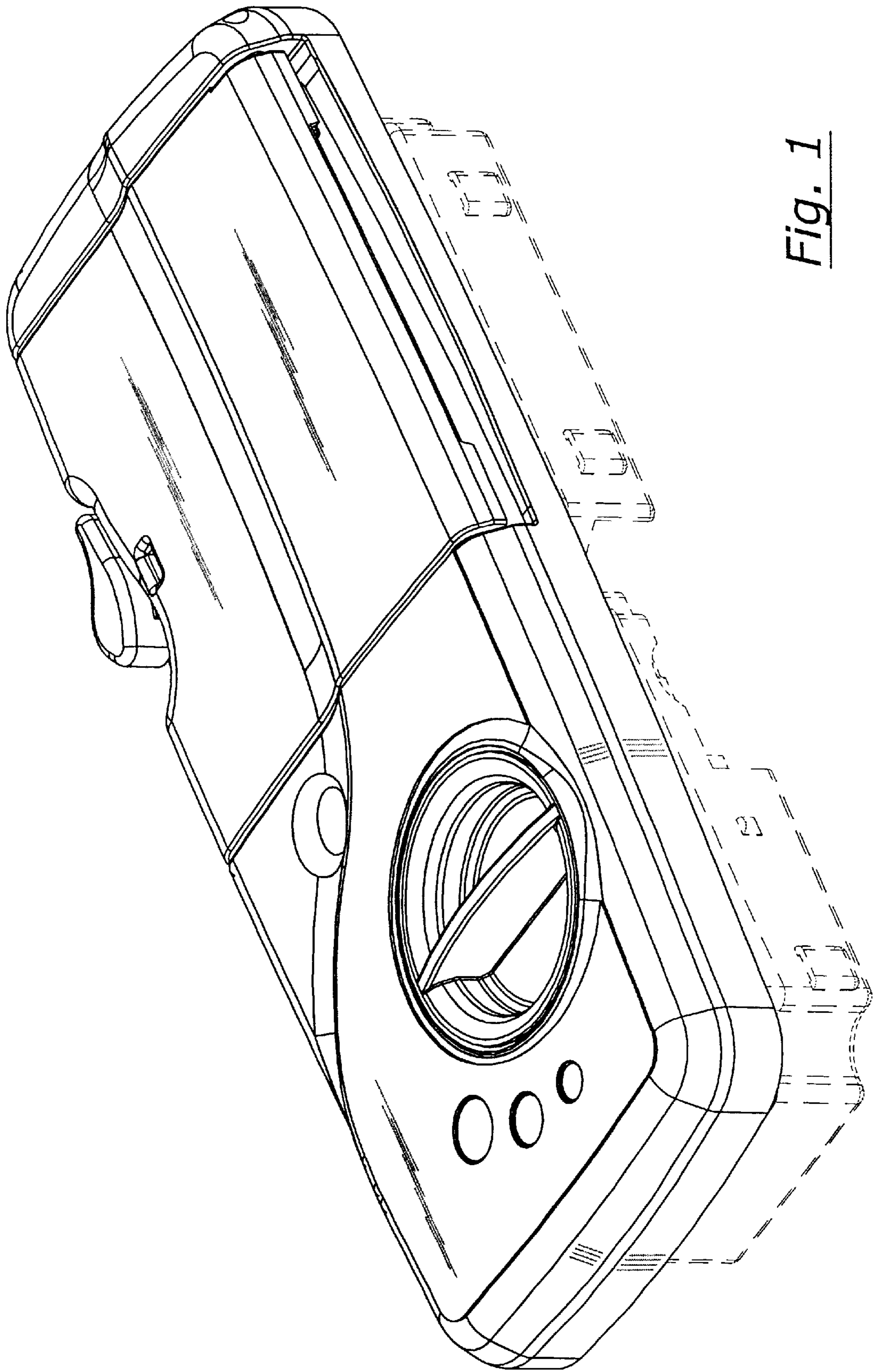


Fig. 1

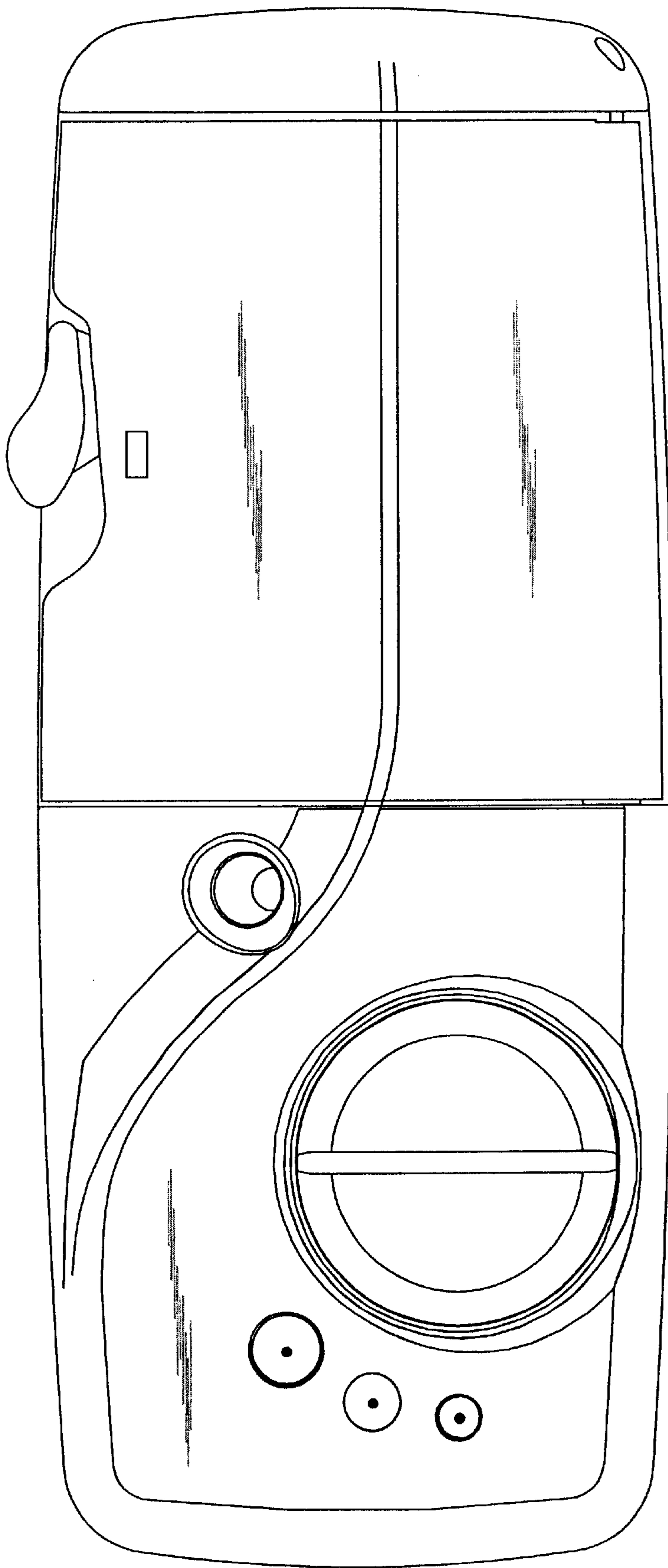


Fig. 2

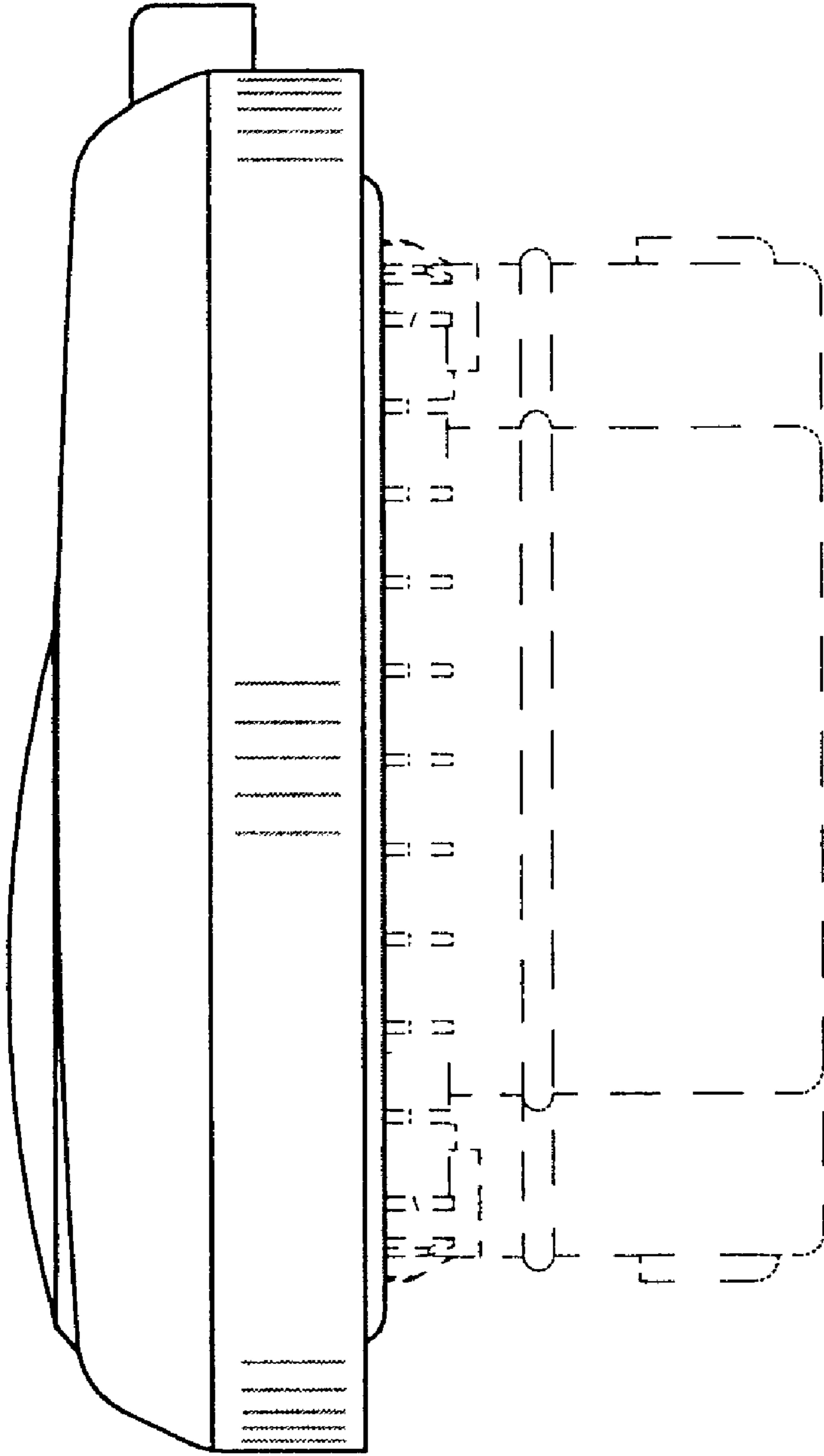


Fig. 3

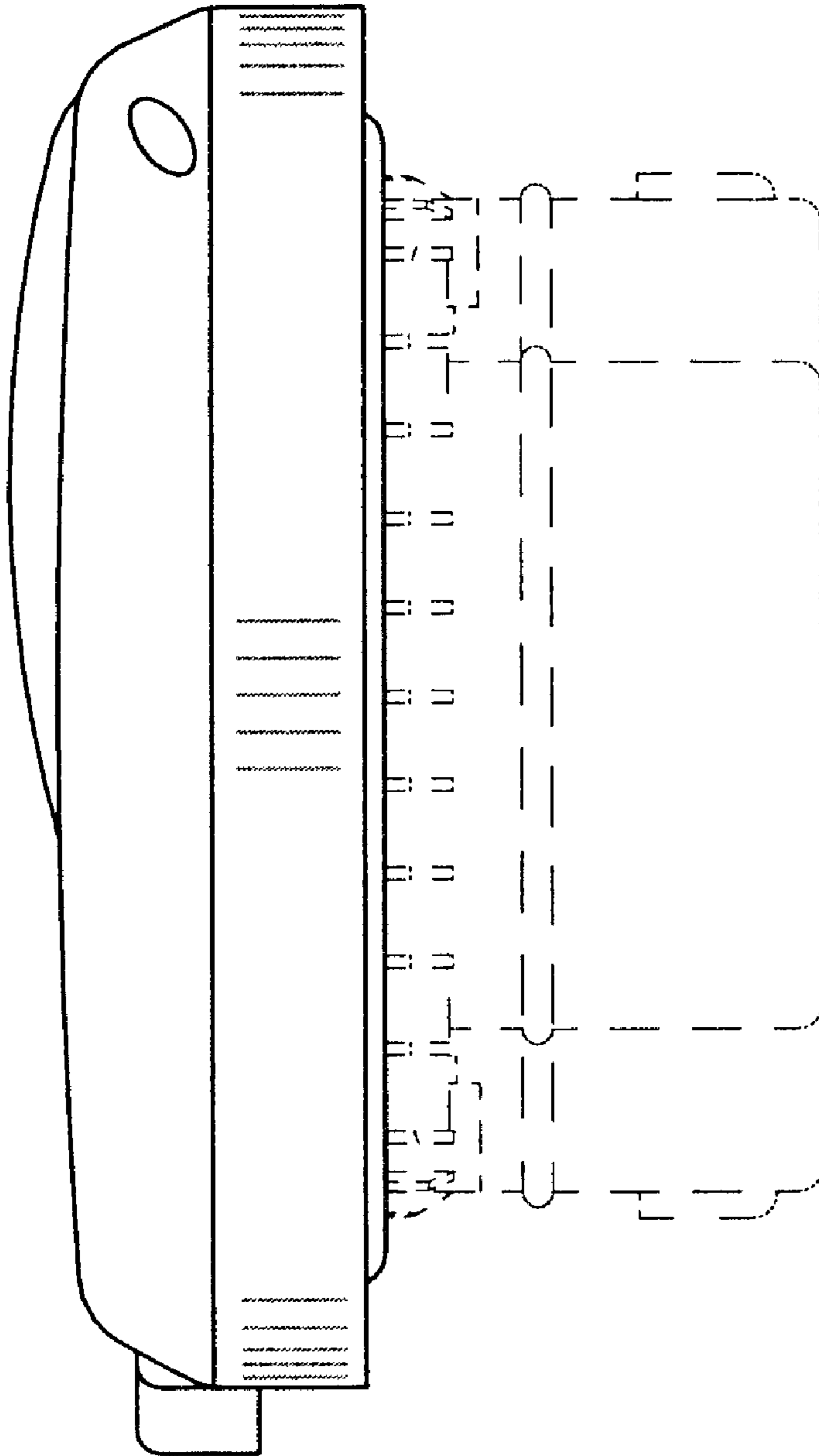


Fig. 4

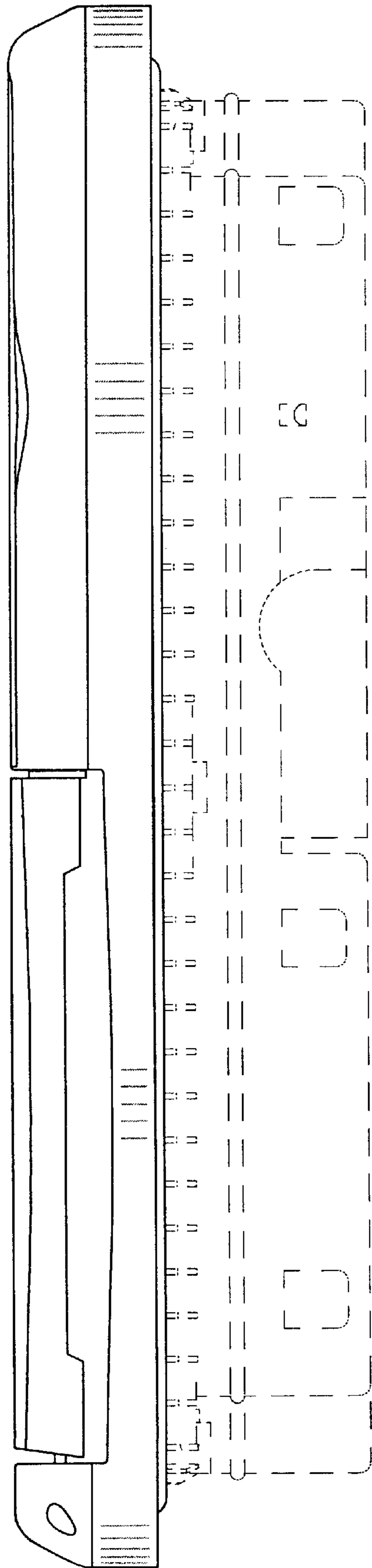


Fig. 5

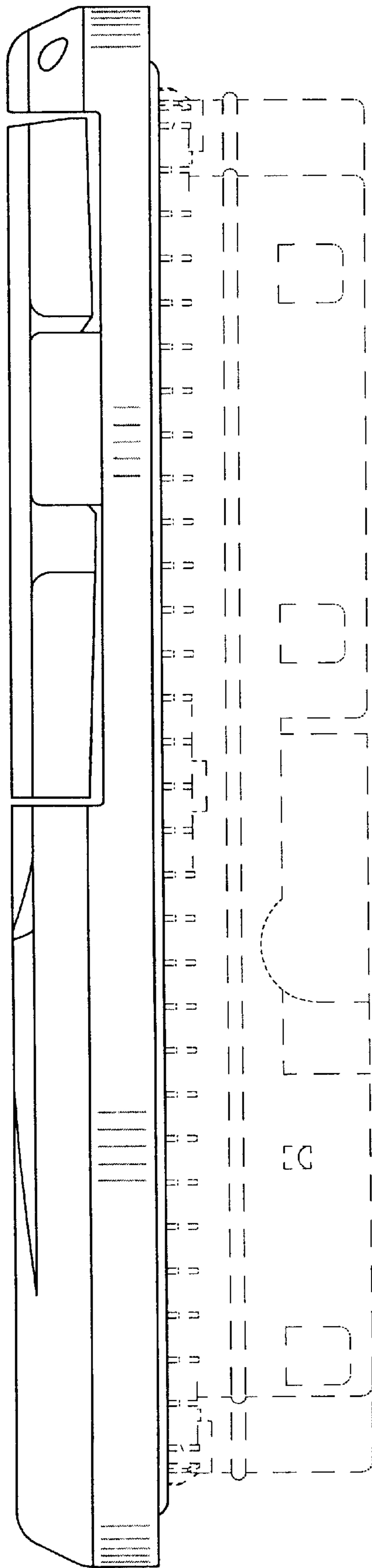


Fig. 6