



US00D481177S

(12) **United States Design Patent**
Dziersk et al.

(10) **Patent No.:** **US D481,177 S**

(45) **Date of Patent:** **** Oct. 21, 2003**

(54) **JEWELRY CLEANER**

(75) Inventors: **Mark Dziersk**, Winnetka, IL (US);
Cheryl Felix Flender, Bedford, MA (US)

(73) Assignee: **Connoisseurs Products Corp.**,
Woburn, MA (US)

(**) Term: **14 Years**

(21) Appl. No.: **29/153,793**

(22) Filed: **Jan. 11, 2002**

(51) **LOC (7) Cl.** **15-05**

(52) **U.S. Cl.** **D32/1**

(58) **Field of Search** D32/1, 25; D24/217-218;
15/1, 1.51, 1.52, 246, 246.5; 206/83; 134/201

(56) **References Cited**

U.S. PATENT DOCUMENTS

D343,704 S * 1/1994 Bucher D32/1
D444,273 S * 6/2001 Minagawa et al. D32/1

* cited by examiner

Primary Examiner—Louis S. Zarfes
Assistant Examiner—Robert A. Delehanty

(74) *Attorney, Agent, or Firm*—Choate, Hall & Stewart

(57) **CLAIM**

An ornamental design for a jewelry cleaner, as shown and described.

DESCRIPTION

FIG. 1 is a front view of a jewelry cleaner with a cylindrical transparent tank in a crescent-shaped base, in which hooks having jewelry hanging therefrom are shown with dotted lines as not forming a part of the claimed design.

FIG. 2 is a side view of a jewelry cleaner with a transparent tank.

FIG. 3 is a back view of a jewelry cleaner with a transparent tank, in which assembly screws are shown with dotted lines as not forming a part of the claimed design.

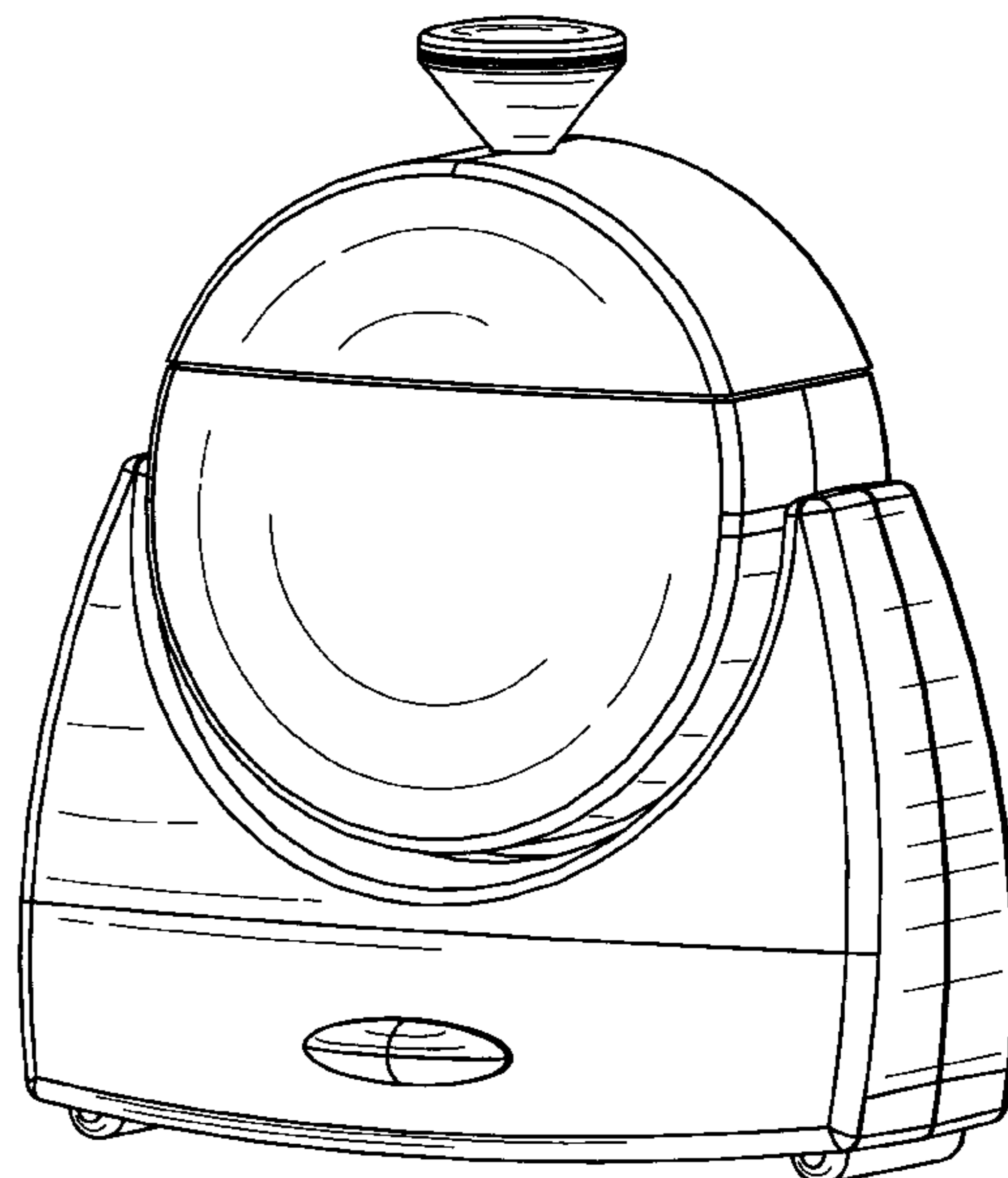
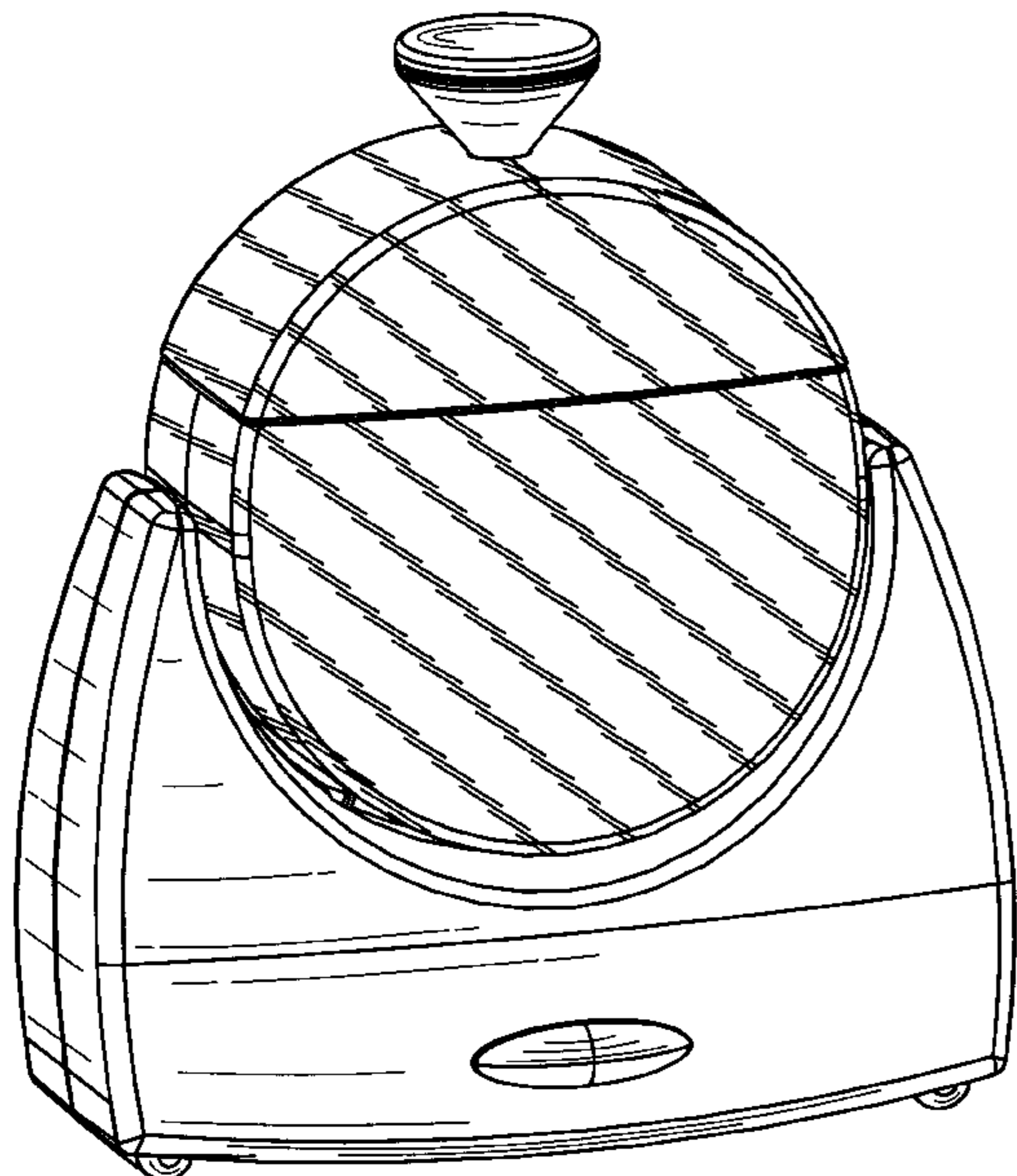
FIG. 4 is a top view of a jewelry cleaner with a transparent tank.

FIG. 5 is a bottom view of a jewelry cleaner, in which assembly screws and plates and battery cover arrows are shown with dotted lines as not forming a part of the claimed design.

FIG. 6 is a perspective view of a jewelry cleaner with a transparent tank; and,

FIG. 7 is a perspective view of an alternate embodiment of the jewelry cleaner having an opaque tank.

1 Claim, 4 Drawing Sheets



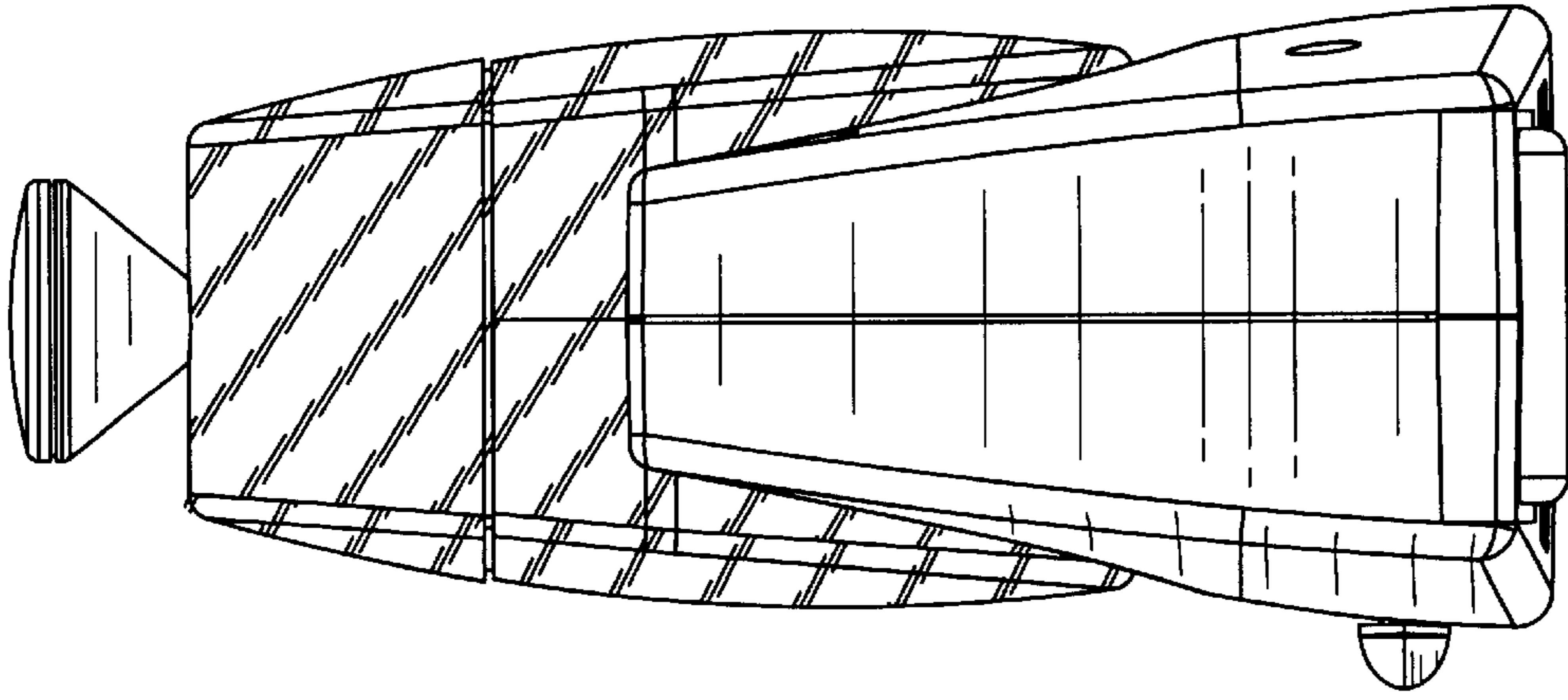


FIG. 2

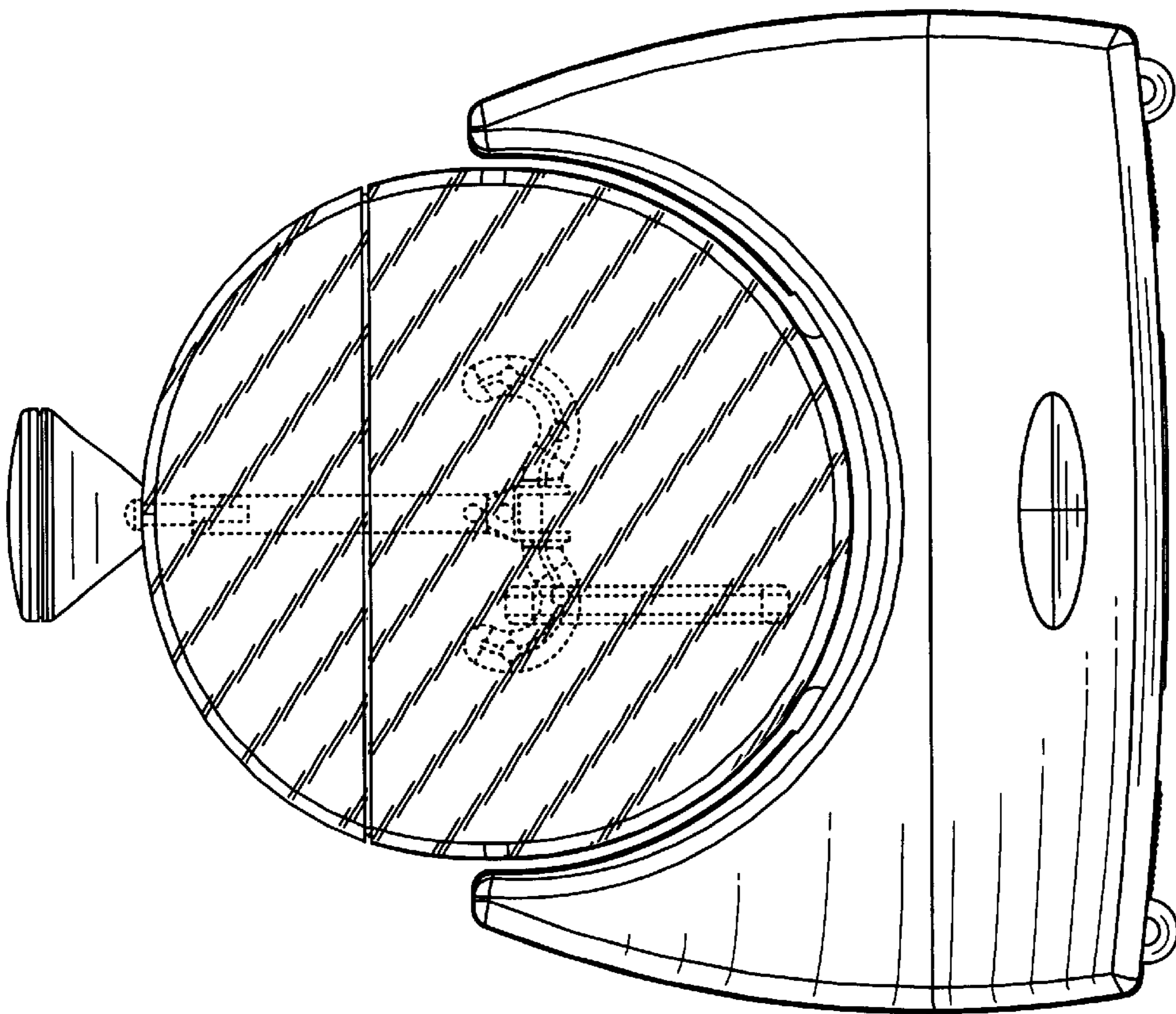


FIG. 1

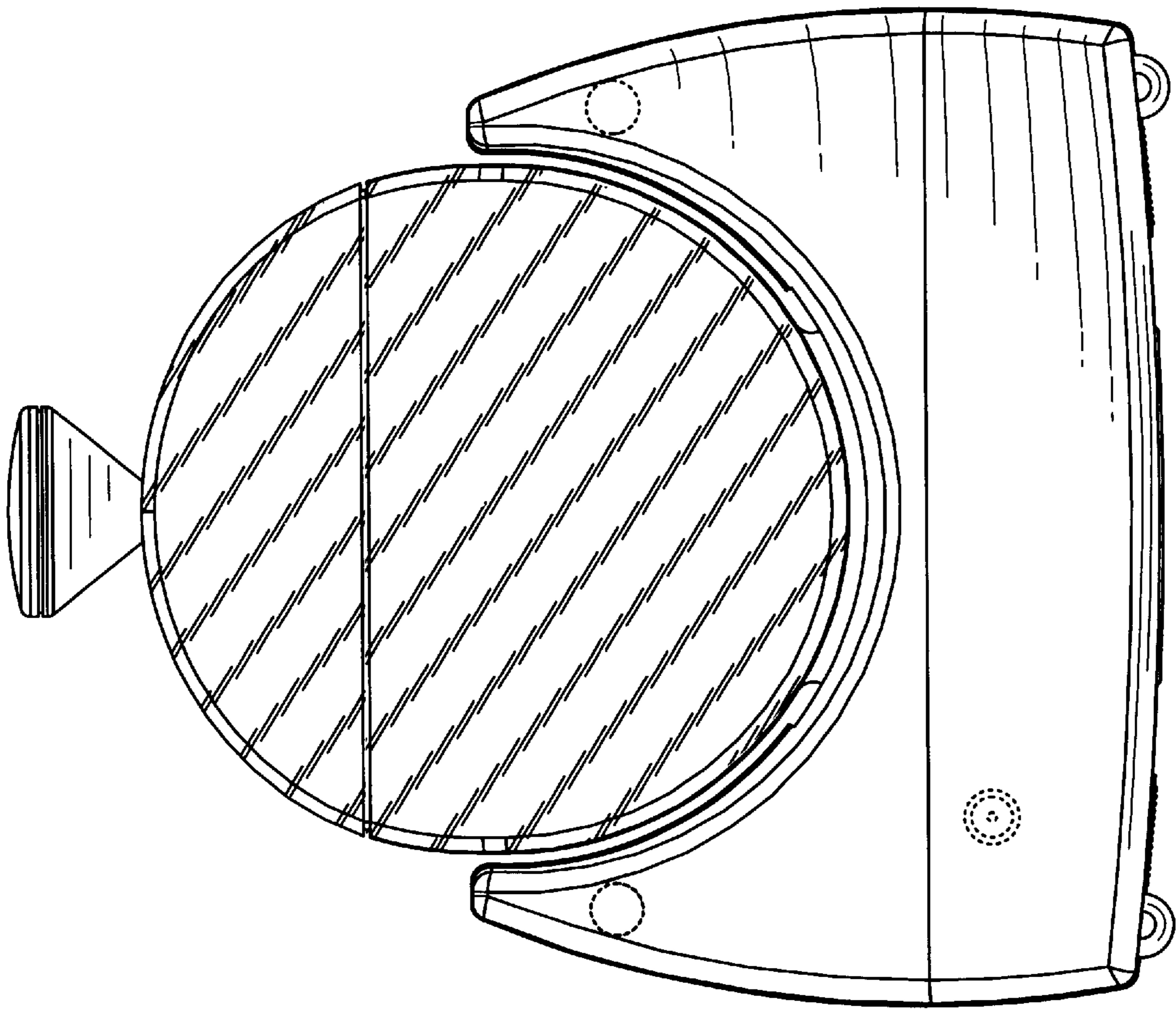


FIG. 3

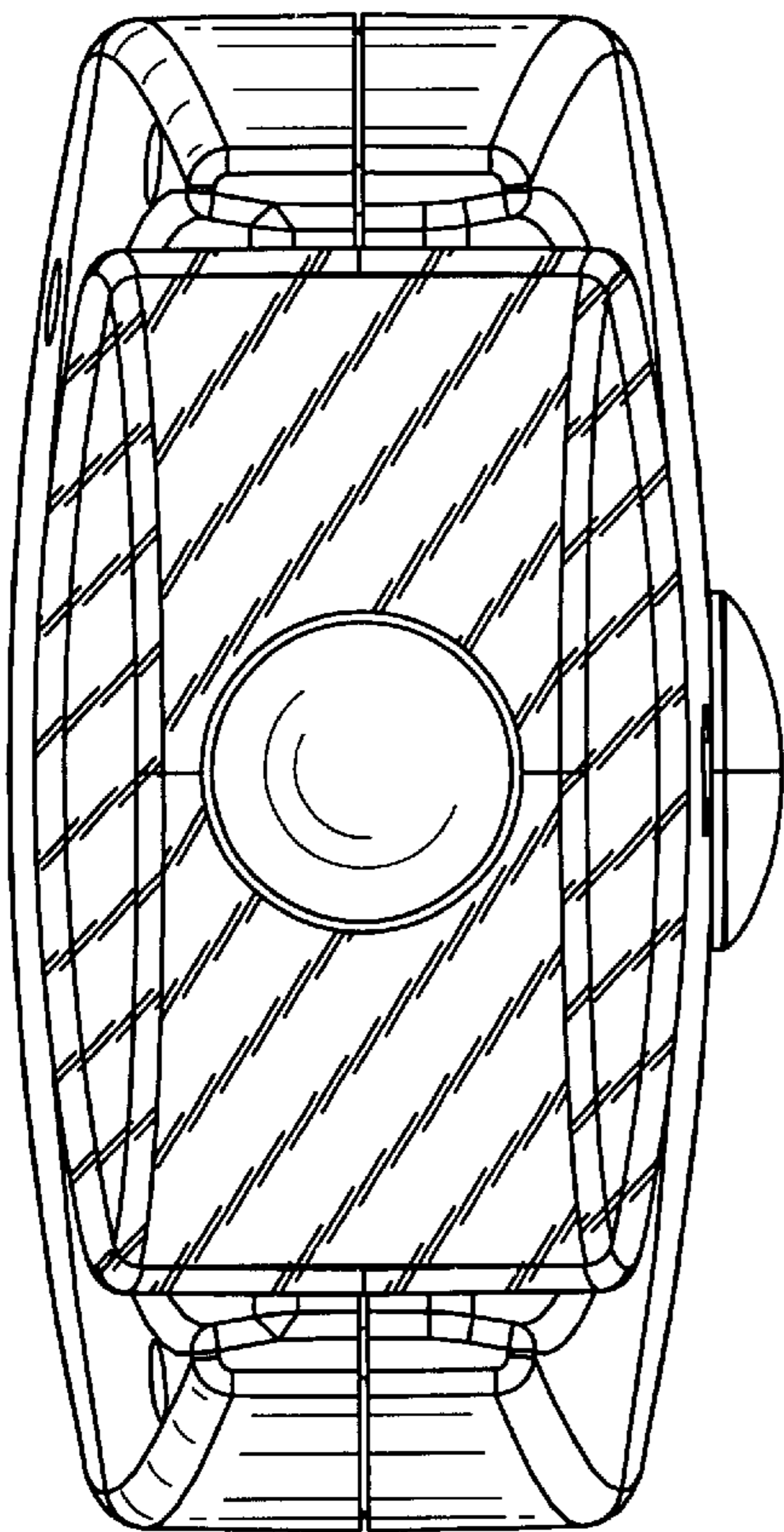


FIG. 4

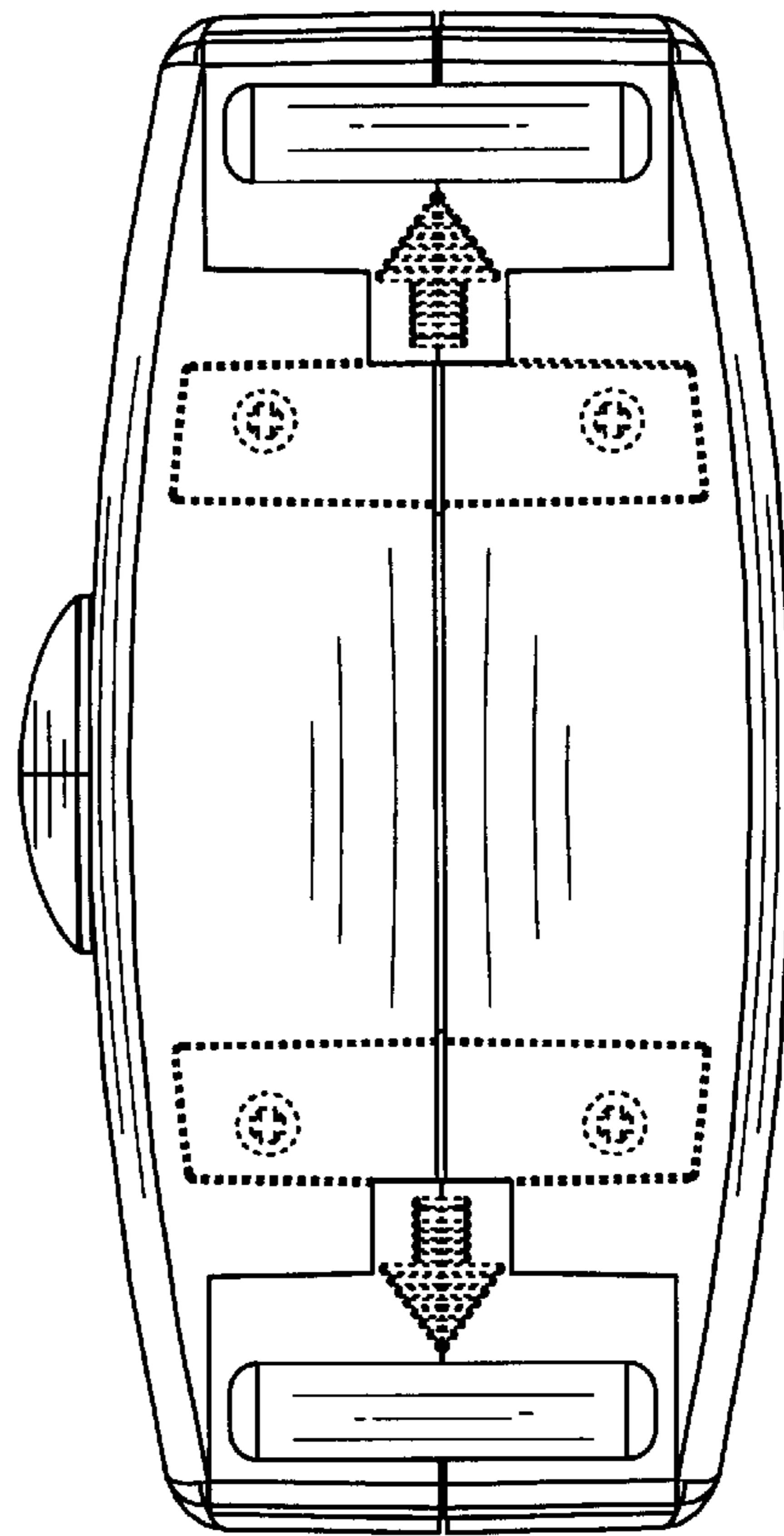


FIG. 5

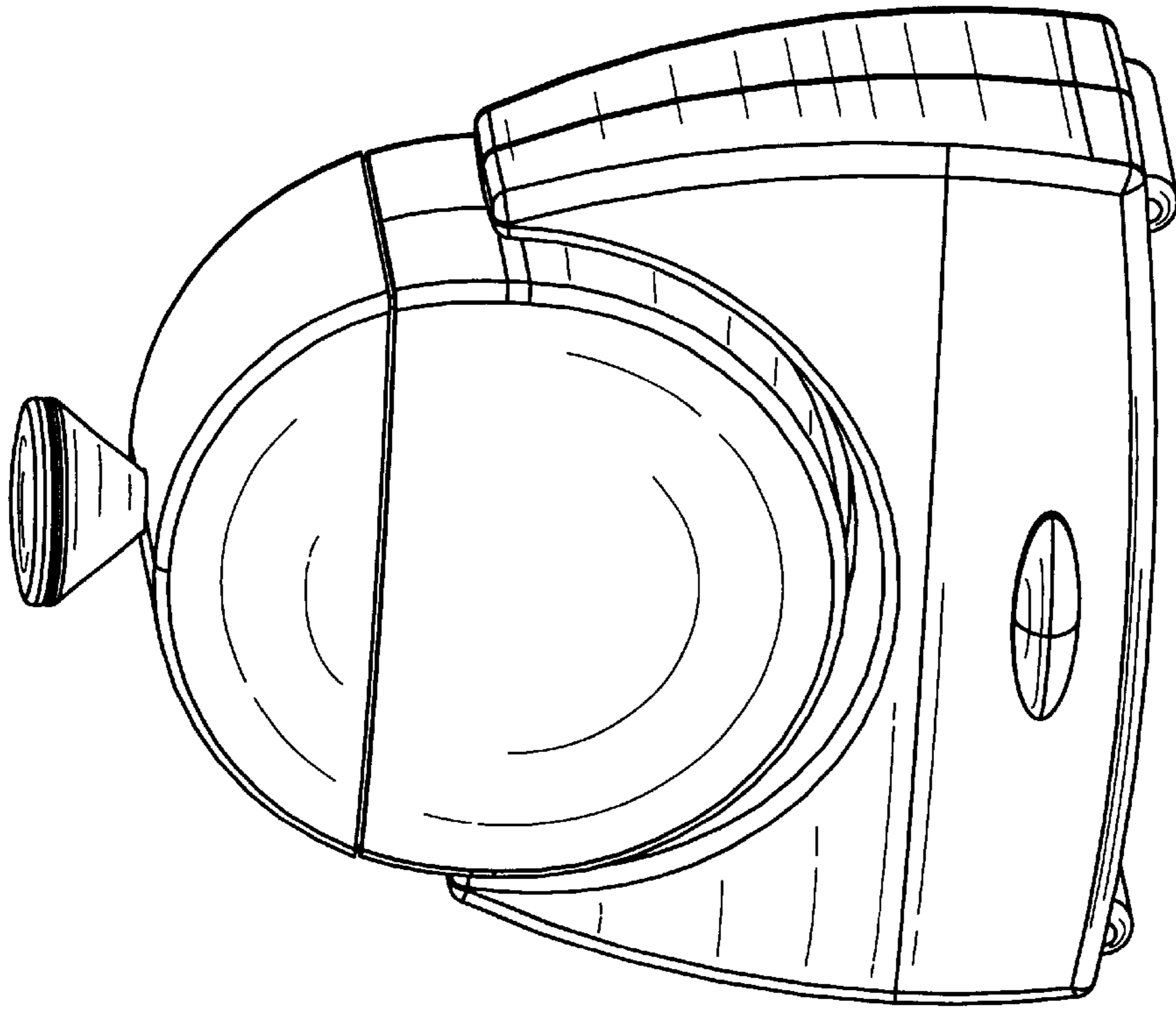


FIG. 7

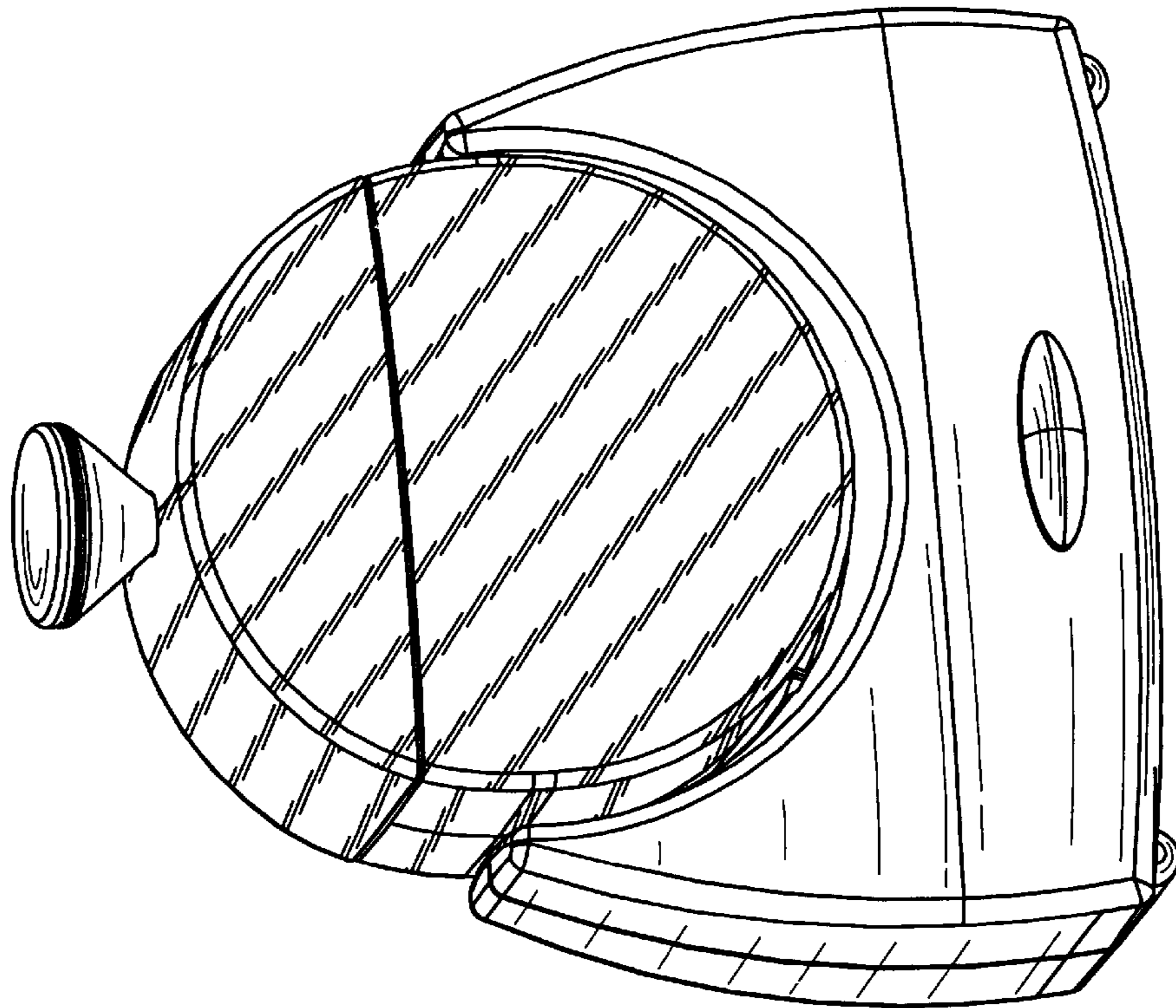


FIG. 6