



US00D481173S

(12) **United States Design Patent**  
**Alexander et al.**

(10) **Patent No.:** **US D481,173 S**

(45) **Date of Patent:** **\*\* Oct. 21, 2003**

(54) **HELMET VISOR**

(75) Inventors: **Garnet Alexander**, Beaconsfield (CA);  
**Eric Lemie Ux**, Piedmont (CA);  
**Simon-Pierre Germain**, Granby (CA)

(73) Assignee: **Sport Maska Inc.** (CA)

(\*\*) Term: **14 Years**

(21) Appl. No.: **29/169,926**

(22) Filed: **Oct. 28, 2002**

(51) **LOC (7) Cl.** ..... **29-02**

(52) **U.S. Cl.** ..... **D29/110**

(58) **Field of Search** ..... D29/102, 104-110,  
D29/122; 2/6.3, 6.4, 6.5, 6.7, 9, 15, 410,  
424, 425

(56) **References Cited**

**U.S. PATENT DOCUMENTS**

D215,137 S	*	9/1969	Fisher	.....	D29/107
D361,868 S	*	8/1995	Raugh	.....	D29/109
D370,310 S	*	5/1996	Reuber et al.	.....	D29/110
D373,223 S	*	8/1996	Pernicka et al.	.....	D29/110
D376,674 S	*	12/1996	Kamata	.....	D29/107

D380,872 S	*	7/1997	Wickland	.....	D29/109
D380,873 S	*	7/1997	Reuber	.....	D29/110
D392,073 S	*	3/1998	Lashley	.....	D29/122
D415,320 S	*	10/1999	Enriquez	.....	D29/110
6,161,225 A	*	12/2000	Arai	.....	2/424
D454,667 S	*	3/2002	Chartrand et al.	.....	D29/110
6,405,373 B1	*	6/2002	Grau	.....	2/15

\* cited by examiner

*Primary Examiner*—Ruth McInroy

(74) *Attorney, Agent, or Firm*—Factor & Partners

(57) **CLAIM**

The ornamental design for a helmet visor, as shown and described.

**DESCRIPTION**

FIG. 1 is a perspective view of a helmet visor showing our new design;

FIG. 2 is a front elevation view thereof;

FIG. 3 is a rear elevation view thereof;

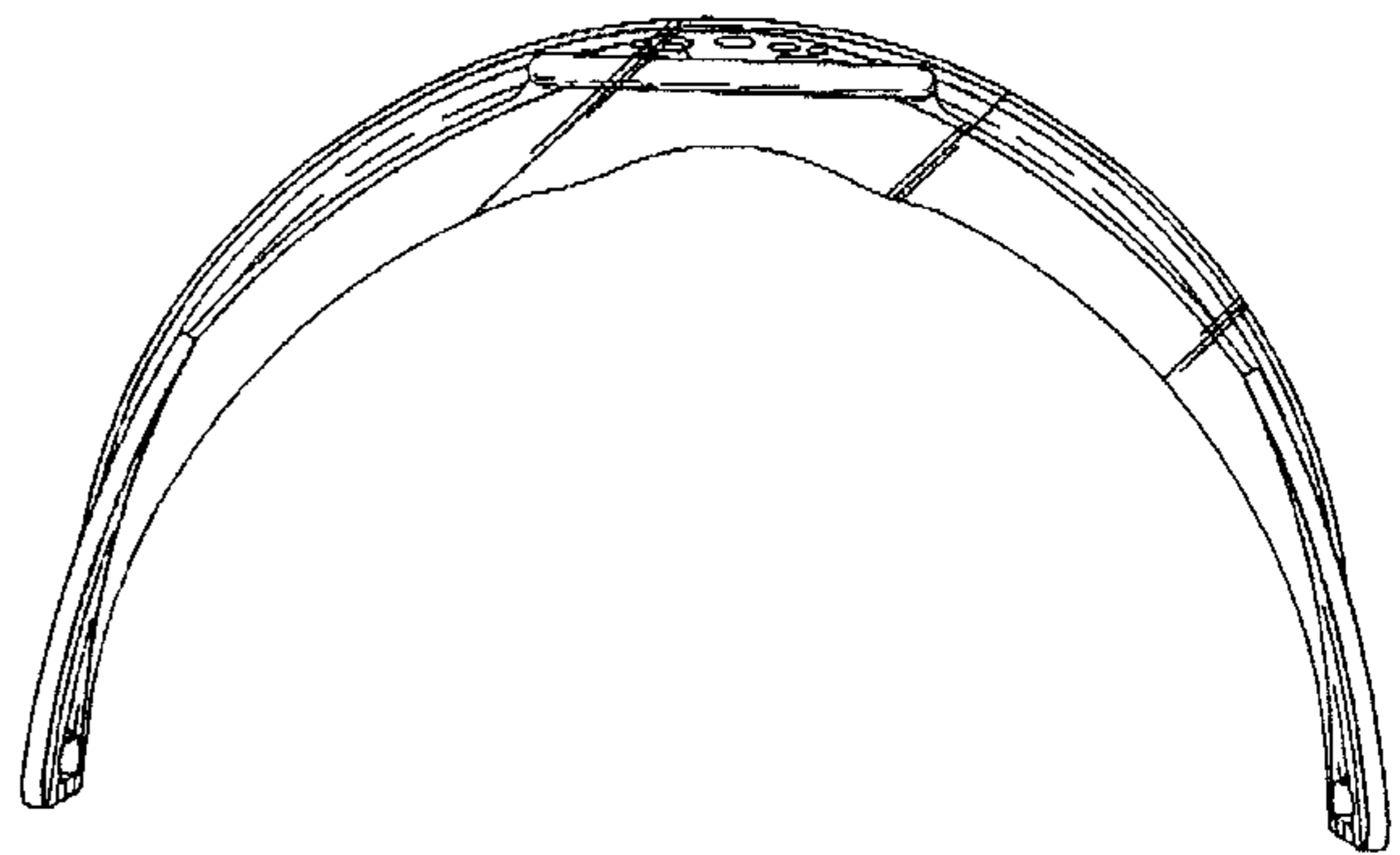
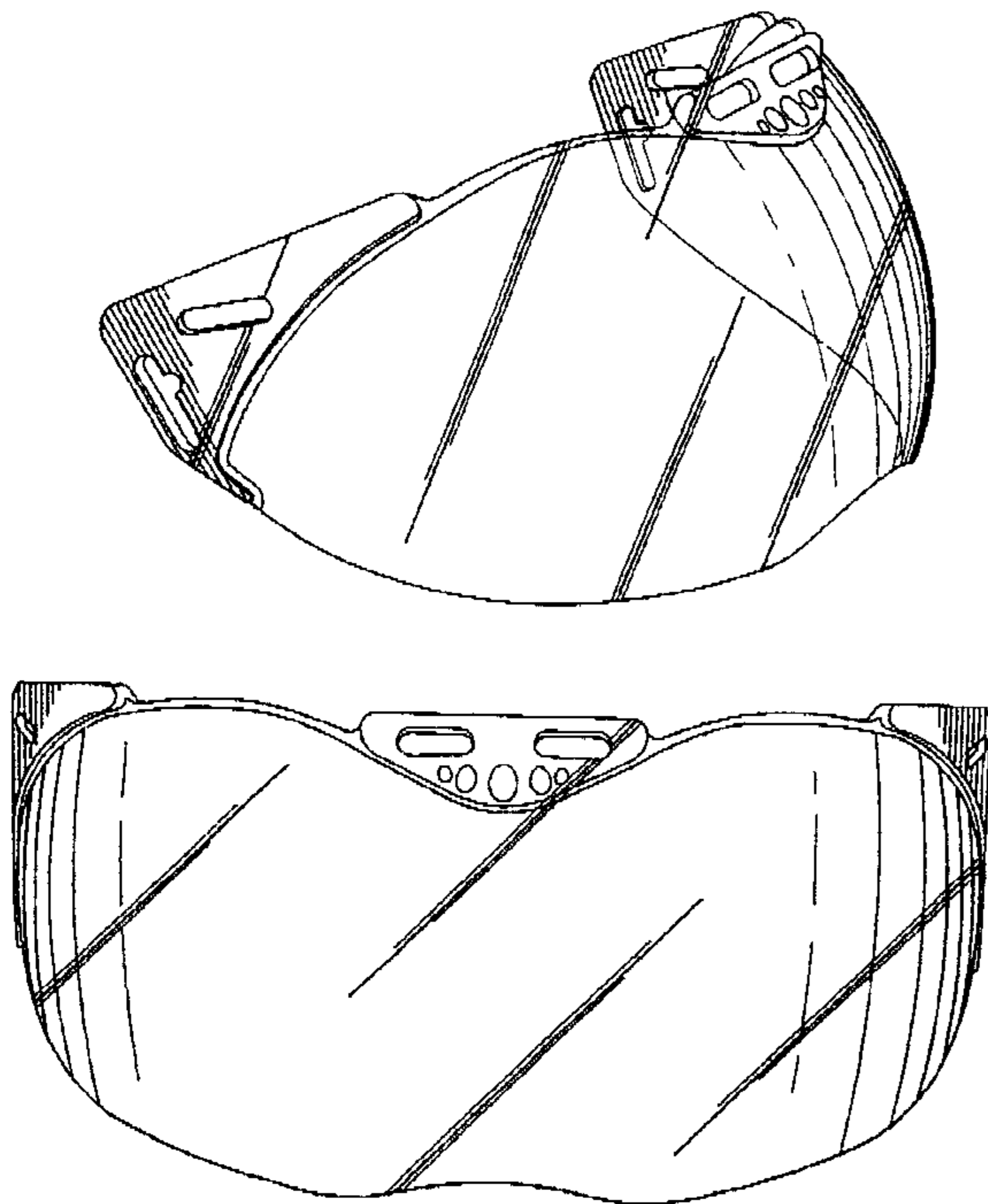
FIG. 4 is a top plan view thereof;

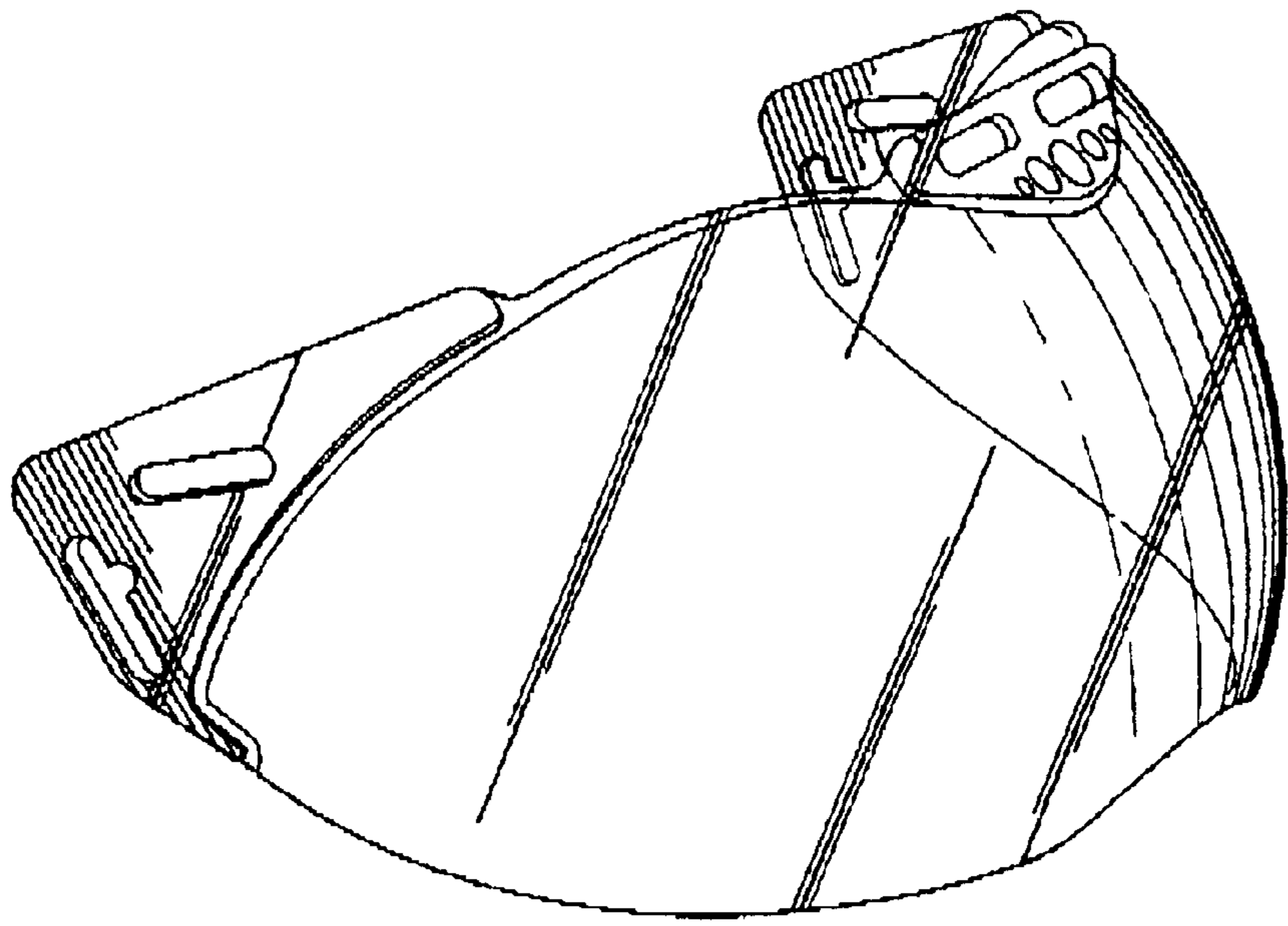
FIG. 5 is a bottom plan view thereof;

FIG. 6 is a right side elevation view thereof; and,

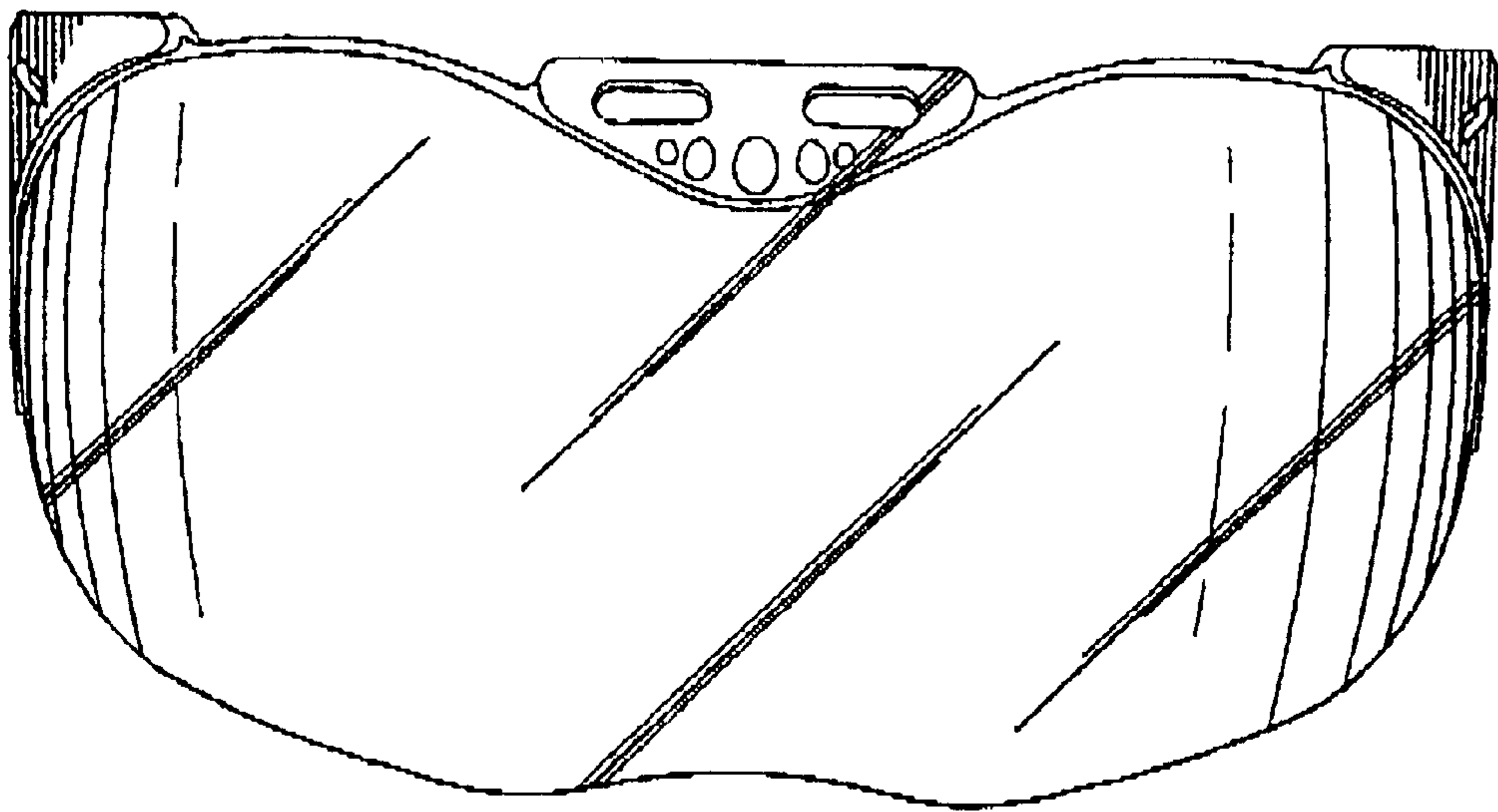
FIG. 7 is a left side elevation view thereof.

**1 Claim, 3 Drawing Sheets**

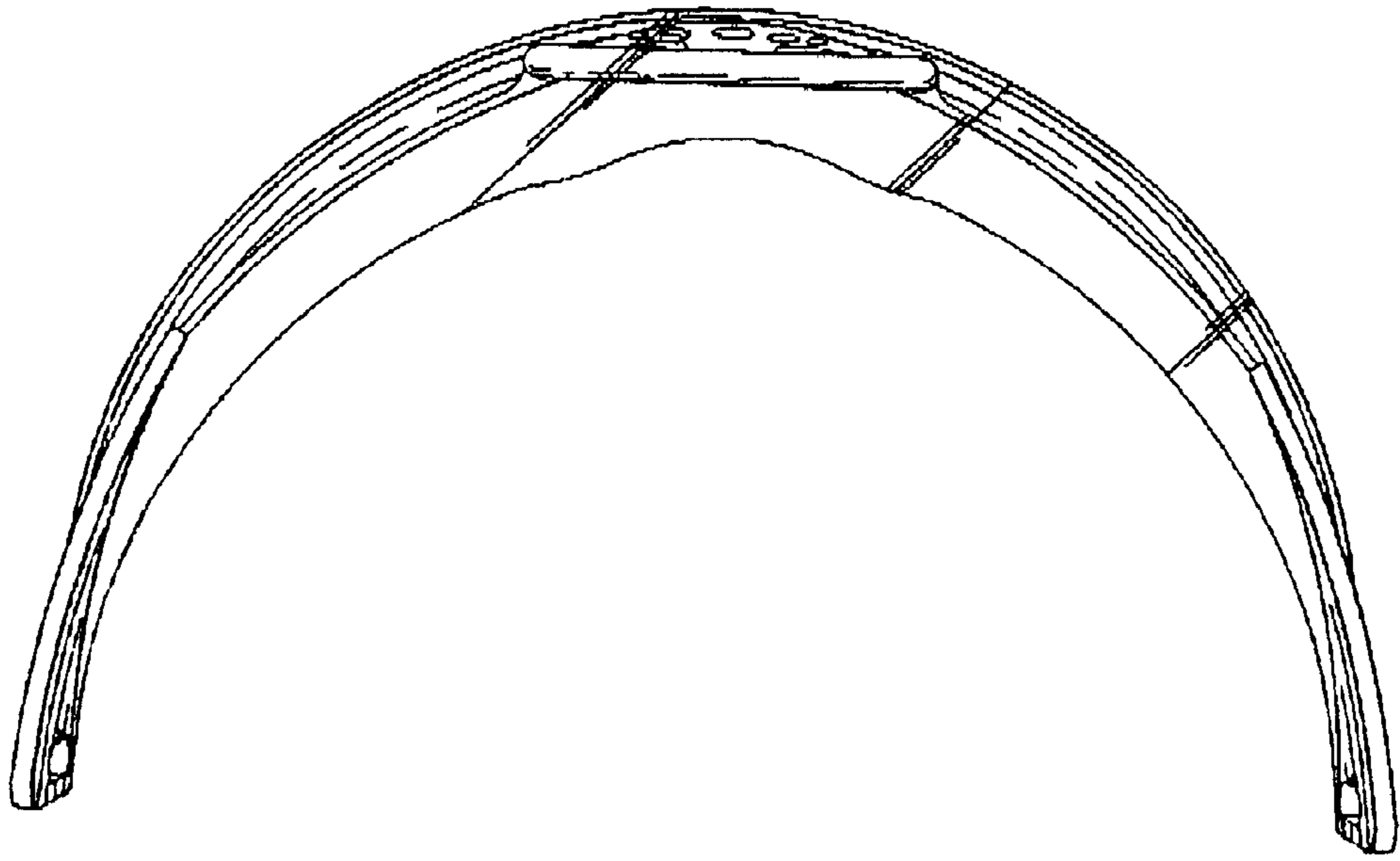




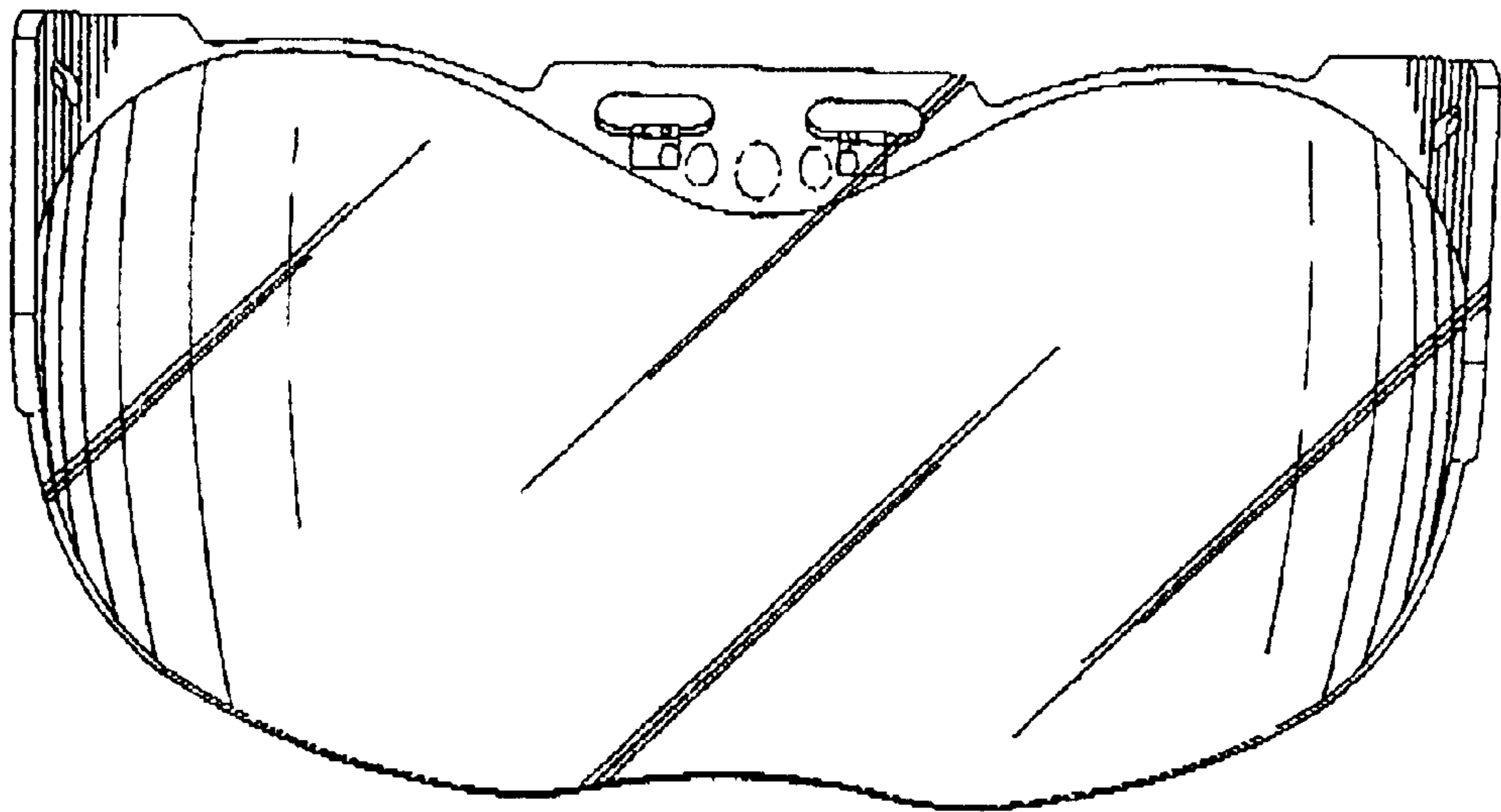
*Fig. 1*



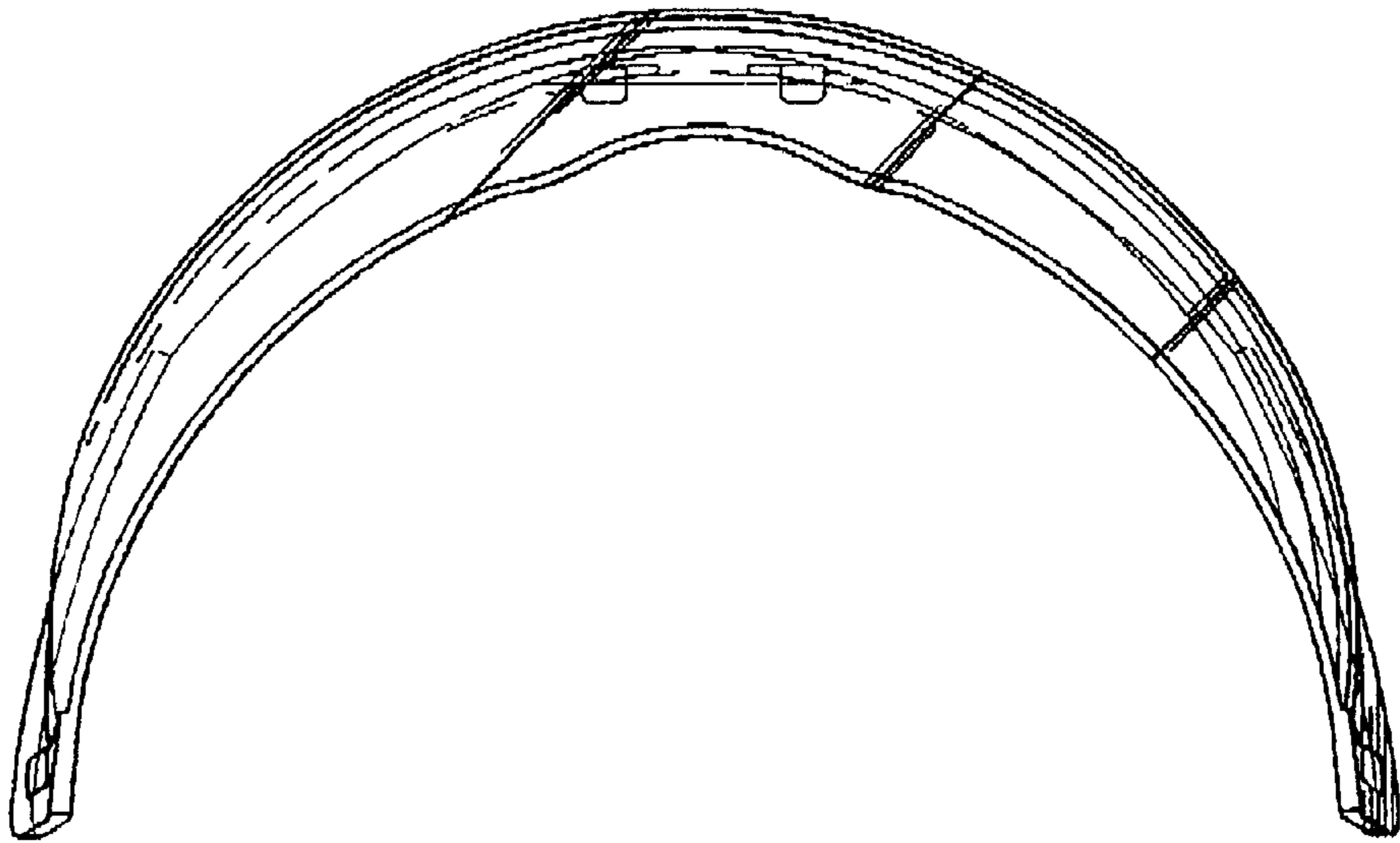
*Fig. 2*



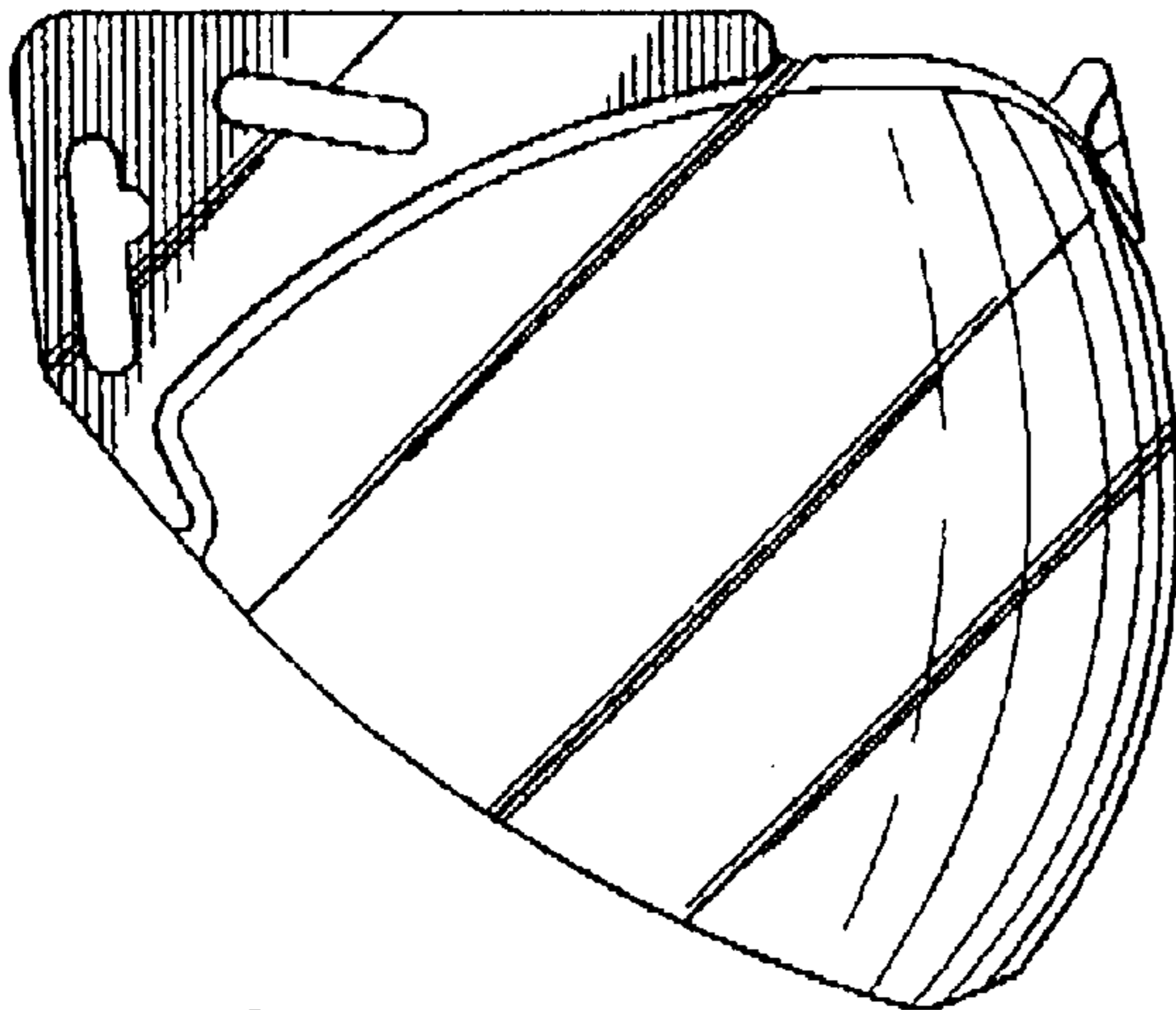
*Fig. 3*



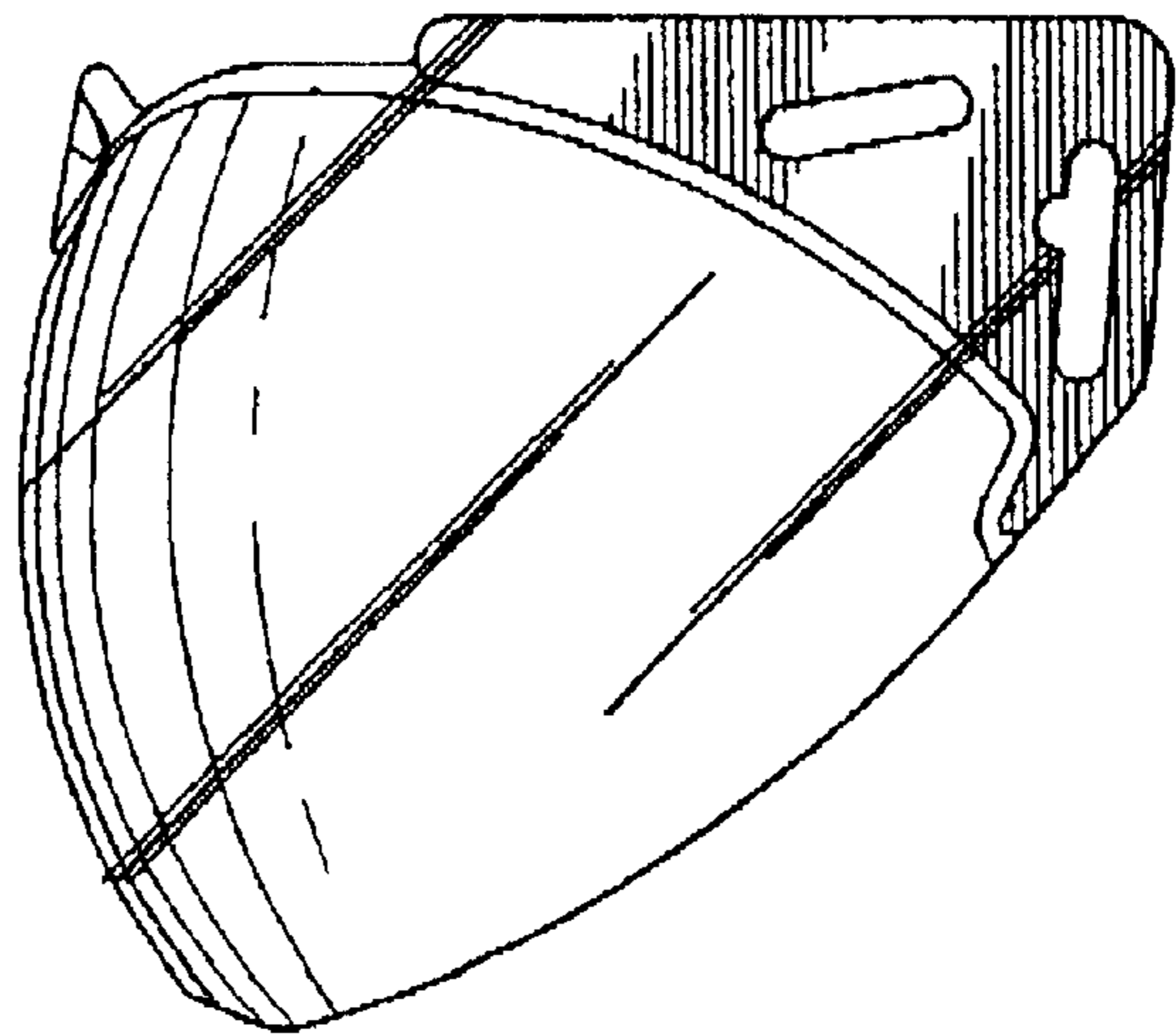
*Fig. 4*



*Fig. 5*



*Fig. 6*



*Fig. 7*