



US00D481169S

(12) **United States Design Patent**  
**Cheung**

(10) **Patent No.:** **US D481,169 S**

(45) **Date of Patent:** **\*\* Oct. 21, 2003**

(54) **FINGER BLADE ASSEMBLY**

2002/0050065 A1 \* 5/2002 Kludjian et al. .... 30/298

(76) Inventor: **Maggie Cheung**, Block A1, 3/F, Tsing Yi Industrial Centre, Phase 1, Tsing Yi N.T. (HK)

\* cited by examiner

*Primary Examiner*—Jennifer Rivard  
(74) *Attorney, Agent, or Firm*—James E. Brunton

(\*\*) Term: **14 Years**

(57) **CLAIM**

(21) Appl. No.: **29/171,920**

The ornamental design for a “finger blade assembly”, as shown.

(22) Filed: **Dec. 2, 2002**

(51) **LOC (7) Cl.** ..... **28-03**

(52) **U.S. Cl.** ..... **D28/44**

(58) **Field of Search** ..... D28/44, 45–48,  
D28/52, 53; 30/526, 298, 32

**DESCRIPTION**

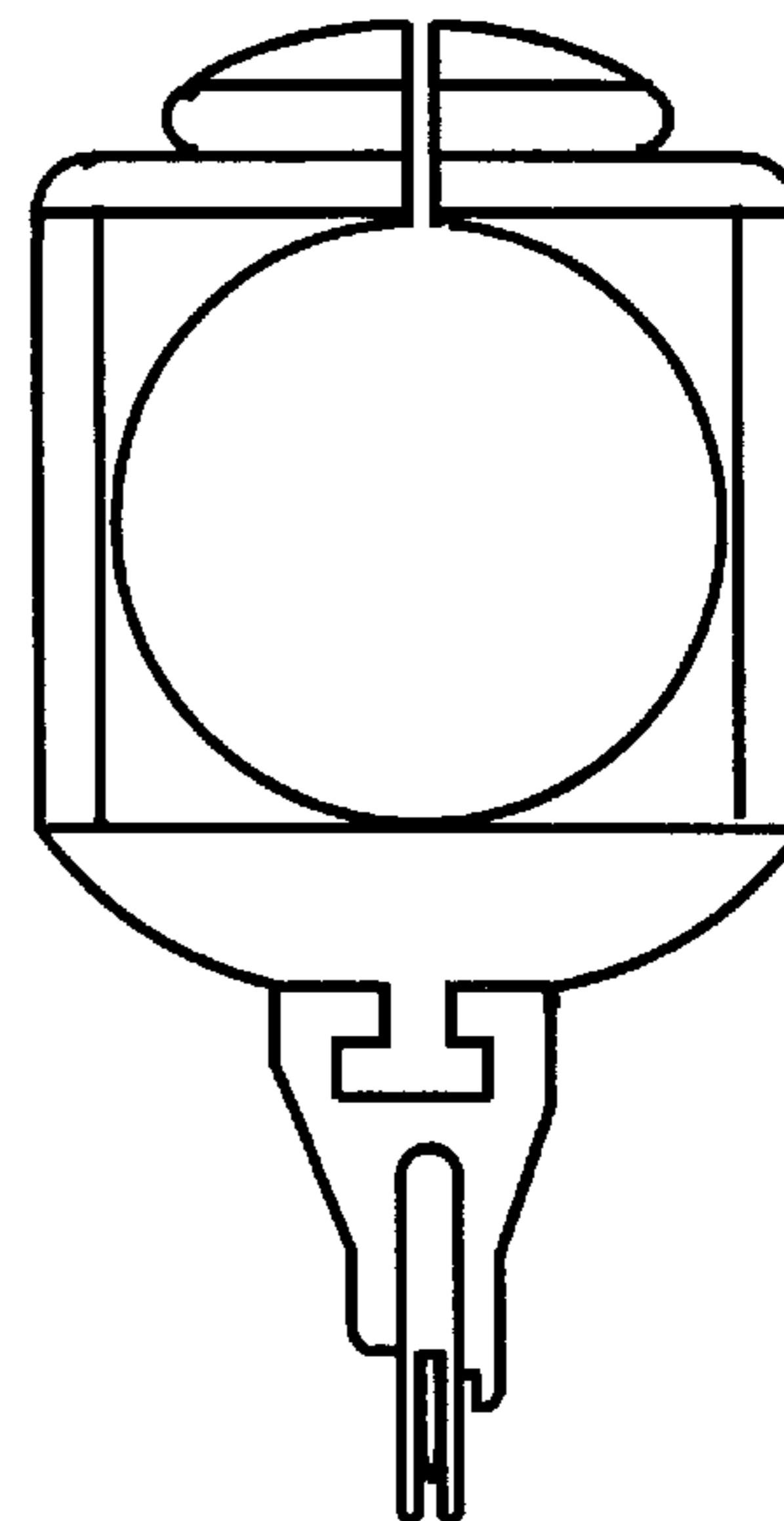
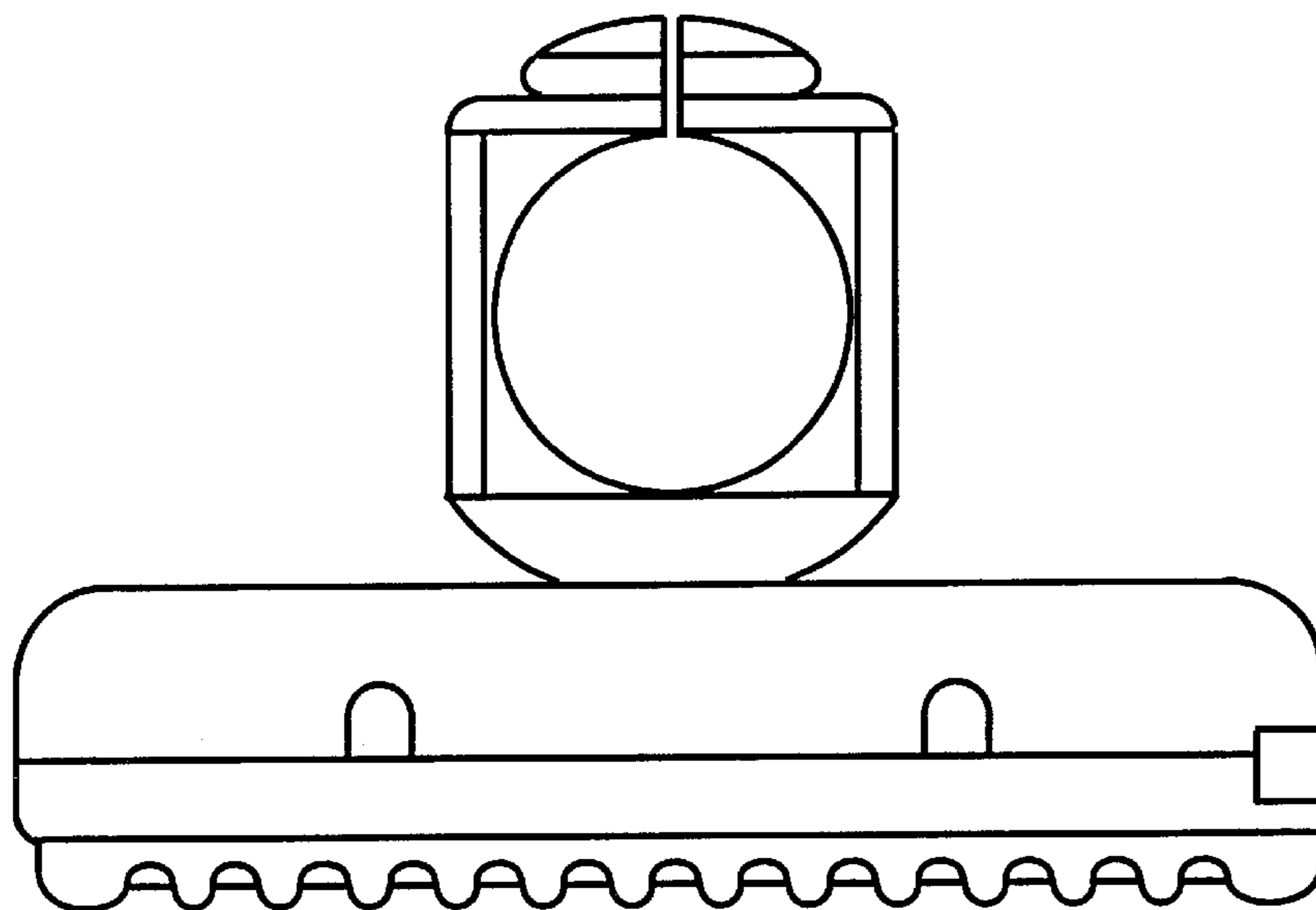
FIG. 1 is a perspective view of a “finger blade assembly” showing my new design;  
FIG. 2 is a front view thereof;  
FIG. 3 is a rear view thereof;  
FIG. 4 is a top plan view thereof;  
FIG. 5 is a right end view thereof; and,  
FIG. 6 is a left end view thereof.

(56) **References Cited**

**U.S. PATENT DOCUMENTS**

D150,189 S \* 7/1948 Zurlinden ..... D28/52  
5,357,680 A \* 10/1994 Monistere ..... 30/298  
6,029,356 A \* 2/2000 Sprinkle ..... 30/298

**1 Claim, 3 Drawing Sheets**



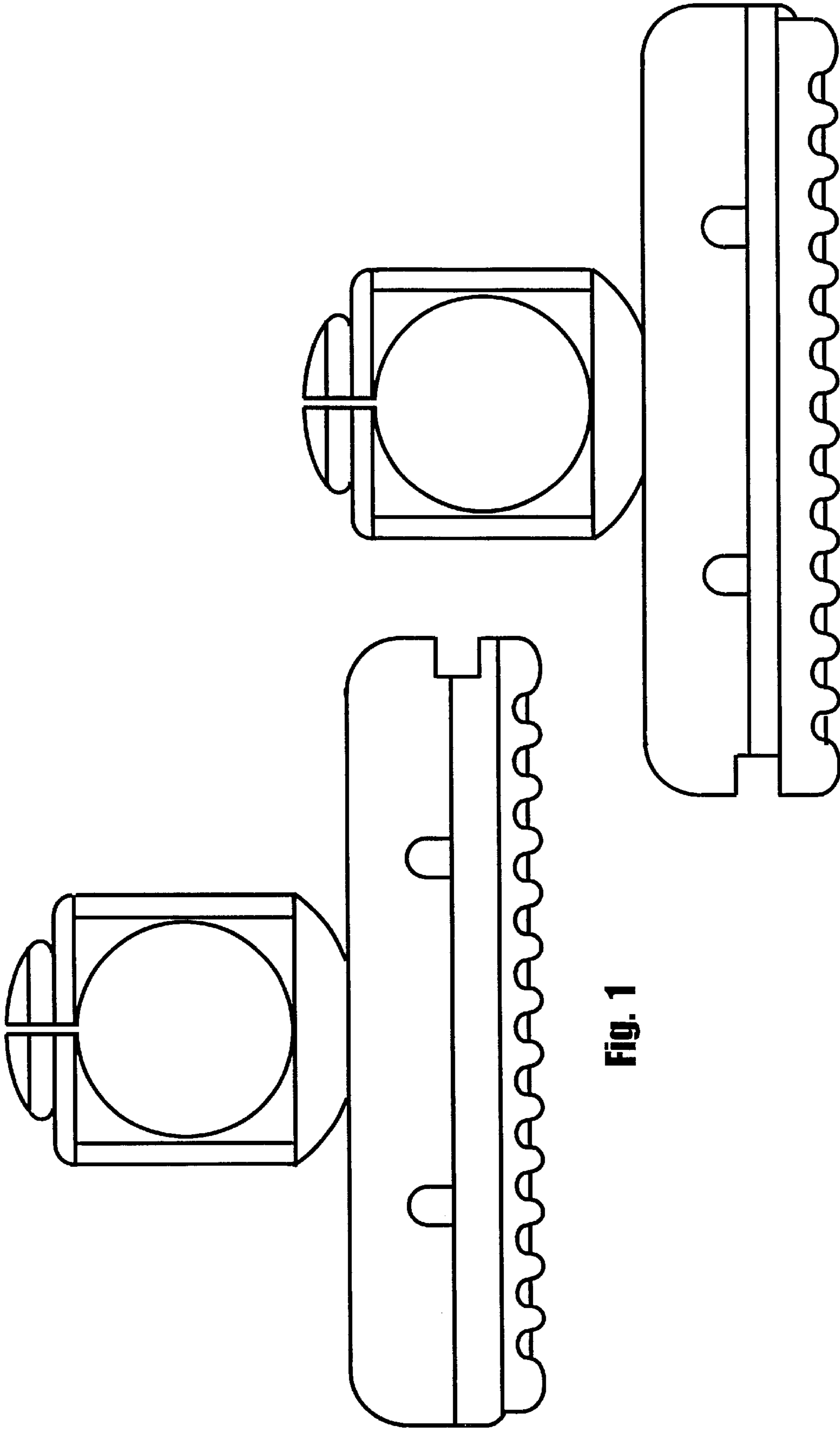
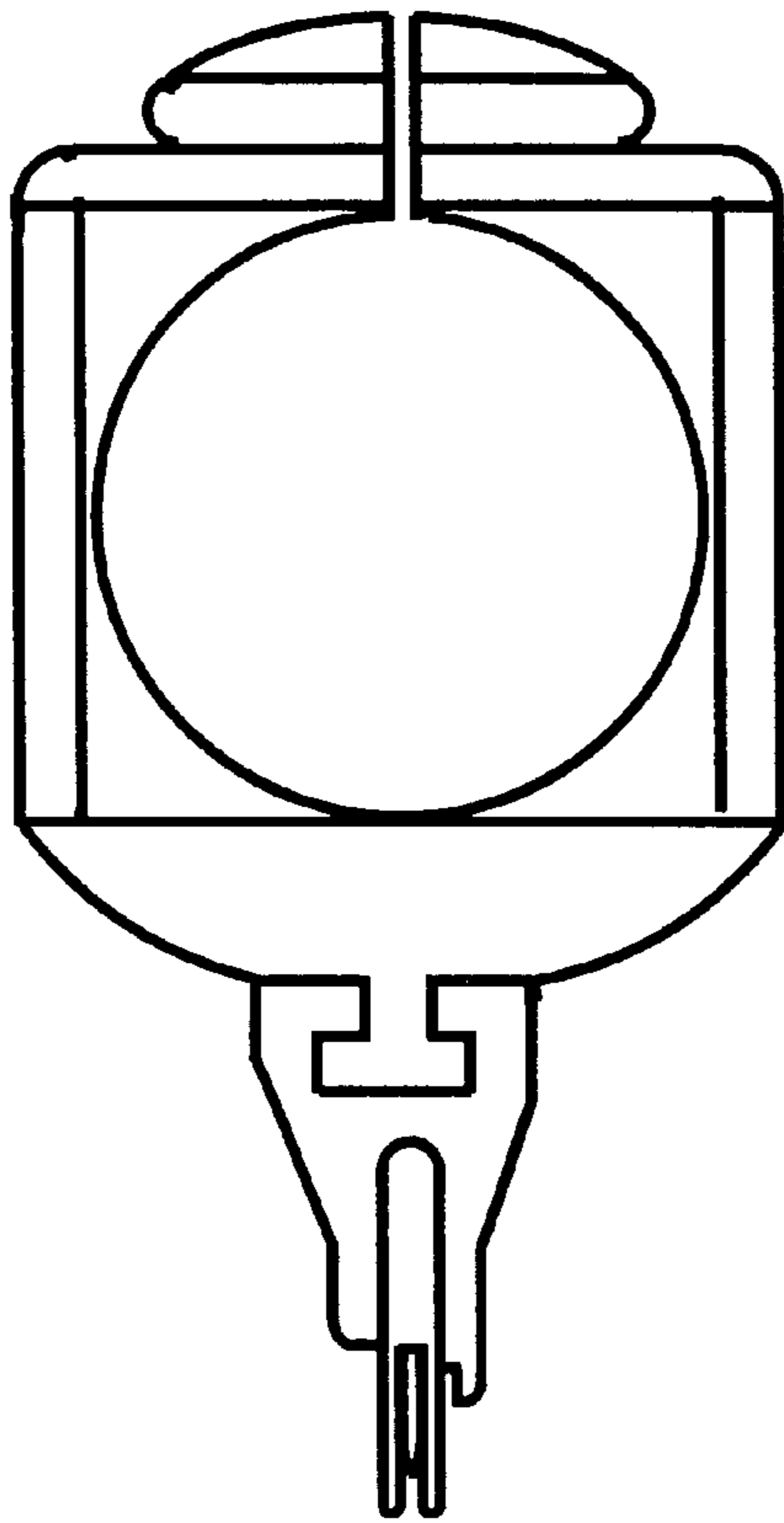
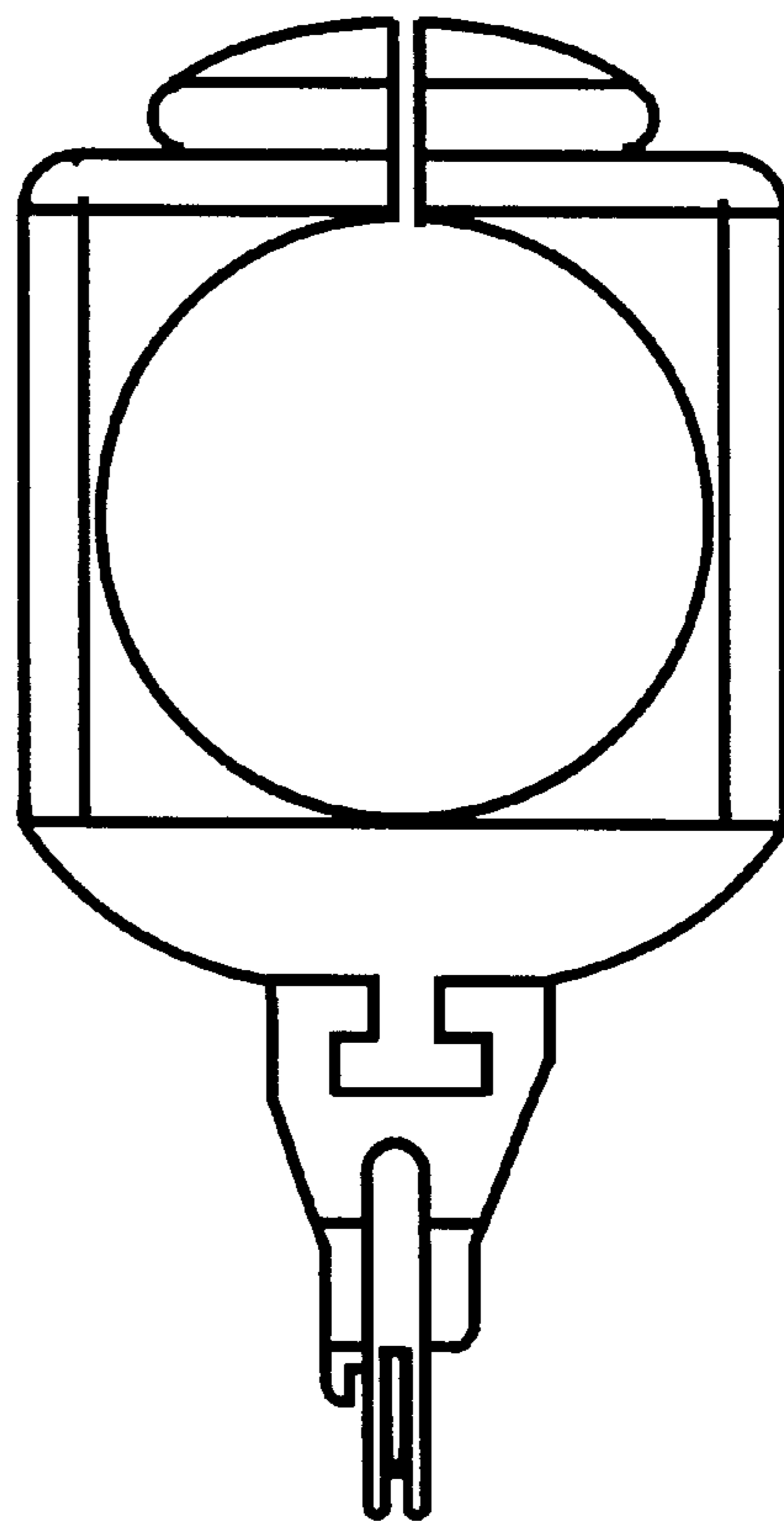


Fig. 1

Fig. 2



**Fig. 3**



**Fig. 4**

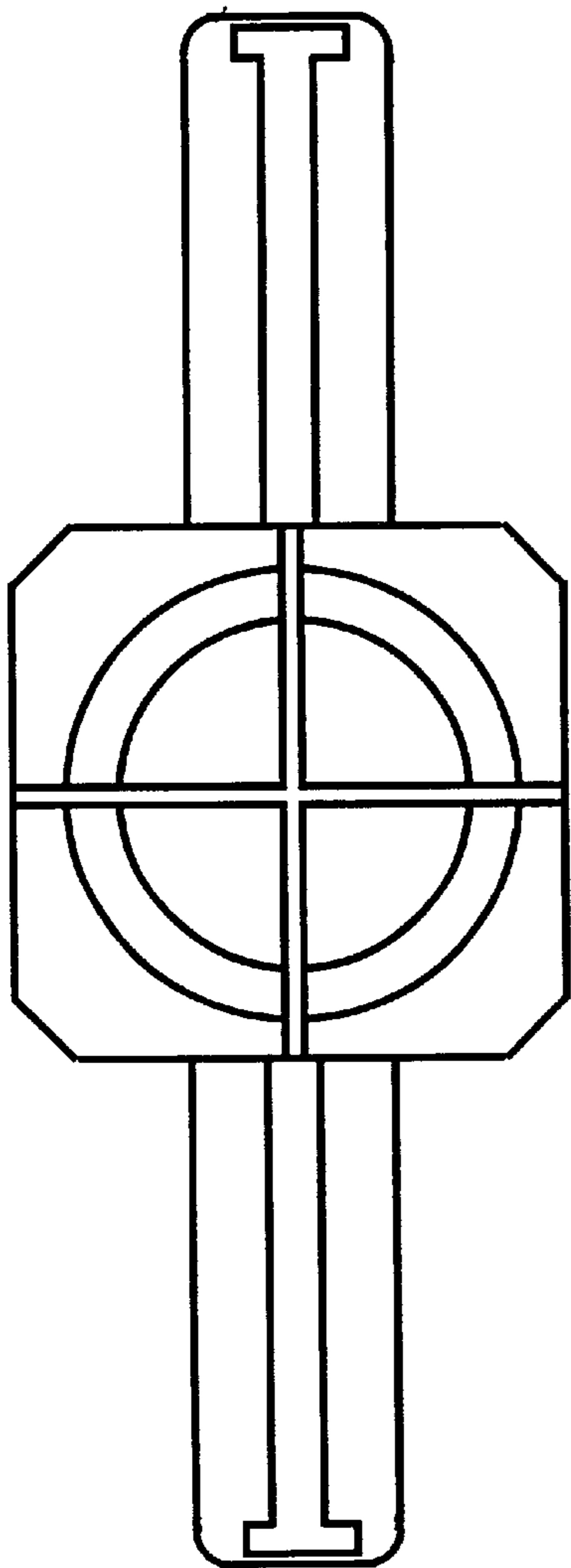


Fig. 5

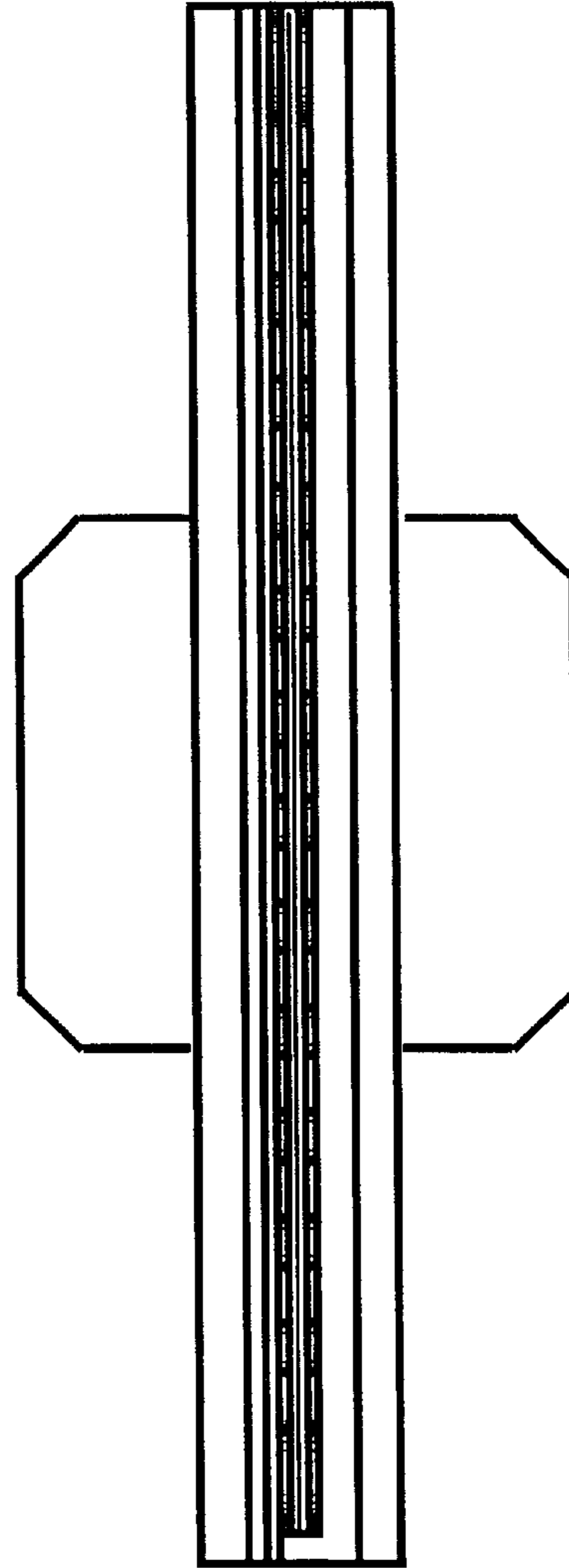


Fig. 6