



US00D481164S

(12) **United States Design Patent**  
**Angeletta**

(10) **Patent No.:** **US D481,164 S**

(45) **Date of Patent:** **\*\* Oct. 21, 2003**

(54) **LIQUID AND LOTION CONTAINER AND APPLICATOR**

(76) Inventor: **Joseph G. Angeletta**, 418 Fifth St., Mamaroneck, NY (US) 10543

(\*\*) Term: **14 Years**

(21) Appl. No.: **29/144,389**

(22) Filed: **Jul. 2, 2001**

(51) **LOC (7) Cl.** ..... **28-02**

(52) **U.S. Cl.** ..... **D28/7; D9/338**

(58) **Field of Search** ..... D28/7; D9/338, D9/529, 435, 436, 445, 500, 503, 504, 521, 520, 558; 401/6, 44, 152, 153, 137, 138, 139, 196, 197, 202-207, 263-266, 260, 270-275

(56) **References Cited**

**U.S. PATENT DOCUMENTS**

2,100,855	A	*	11/1937	Kelly	.....	132/317
D280,385	S	*	9/1985	Dinand		
D287,228	S	*	12/1986	Newton	.....	D10/81
D287,337	S	*	12/1986	Nickel	.....	D9/500
D288,780	S	*	3/1987	Miller	.....	D9/338
D289,143	S	*	4/1987	Guillaume	.....	D9/445
D309,711	S	*	8/1990	Biesecker	.....	D9/500
D356,828	S	*	3/1995	Harris	.....	D9/338
D379,923	S	*	6/1997	De Baschmakoff	.....	D9/529
D391,485	S	*	3/1998	Biesecker et al.	.....	D9/500
D413,799	S	*	9/1999	Schlatter	.....	D9/338
6,336,763	B1	*	1/2002	Losier et al.	.....	401/205

**OTHER PUBLICATIONS**

Drug and Cosmetic Industry, Oct. 1980, p. 125, top photograph on right, closures.\*

\* cited by examiner

*Primary Examiner*—Lucy Lieberman  
(74) *Attorney, Agent, or Firm*—Scully, Scott, Murphy & Presser

(57) **CLAIM**

The ornamental design for a liquid and lotion container and applicator, as shown and described.

**DESCRIPTION**

FIG. 1 is a side view of a first embodiment of a liquid and lotion container and applicator showing my new design;

FIG. 2 is a top plan view thereof;

FIG. 3 is a bottom plan view thereof;

FIG. 4 is a perspective view thereof;

FIG. 5 is a perspective view of a second embodiment of the liquid and lotion container and applicator that differs from the first embodiment only in the addition of a top closure and a bottom cover;

FIG. 6 is a perspective view of the second embodiment shown with the bottom cover applied to the top of the container;

FIG. 7 is a side view of a third embodiment of the liquid and lotion container and applicator;

FIG. 8 is a top plan view of FIG. 7;

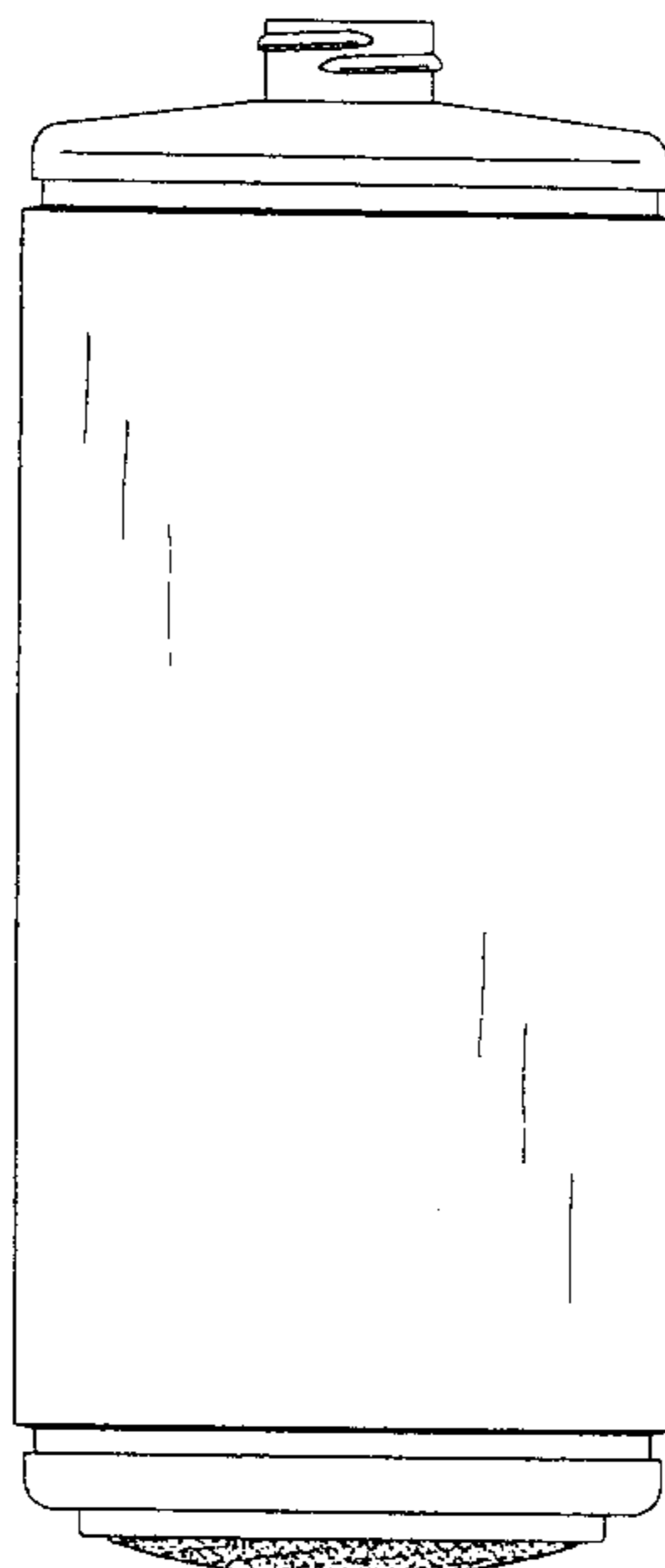
FIG. 9 is a bottom plan view of FIG. 7;

FIG. 10 is a perspective view of FIG. 7;

FIG. 11 is a perspective view of a fourth embodiment of the liquid and lotion container and applicator that differs from the third embodiment only in the addition of a top closure and a bottom cover; and,

FIG. 12 is a perspective view of the fourth embodiment shown with the bottom cover applied to the top of the container.

**1 Claim, 4 Drawing Sheets**



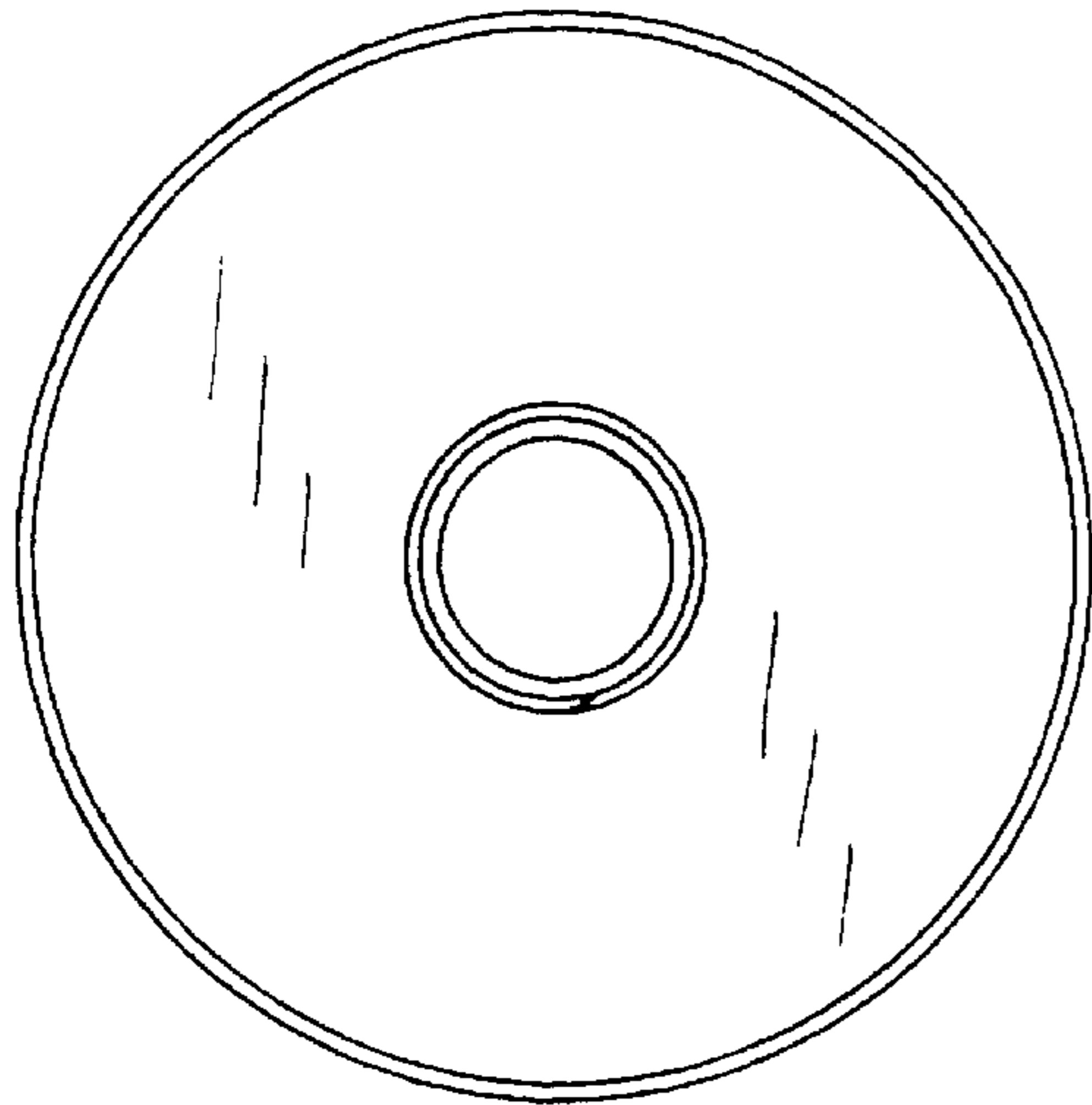


FIG. 2

FIG. 3

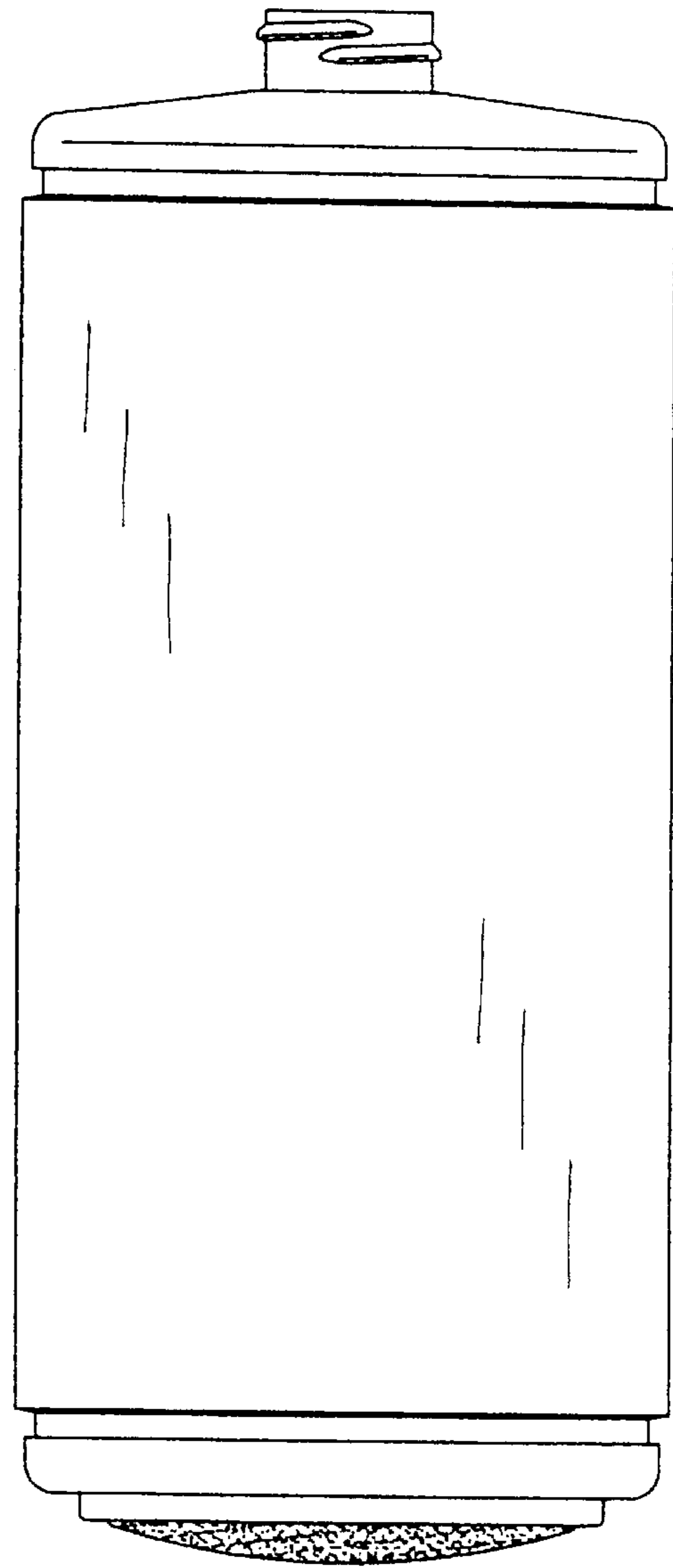
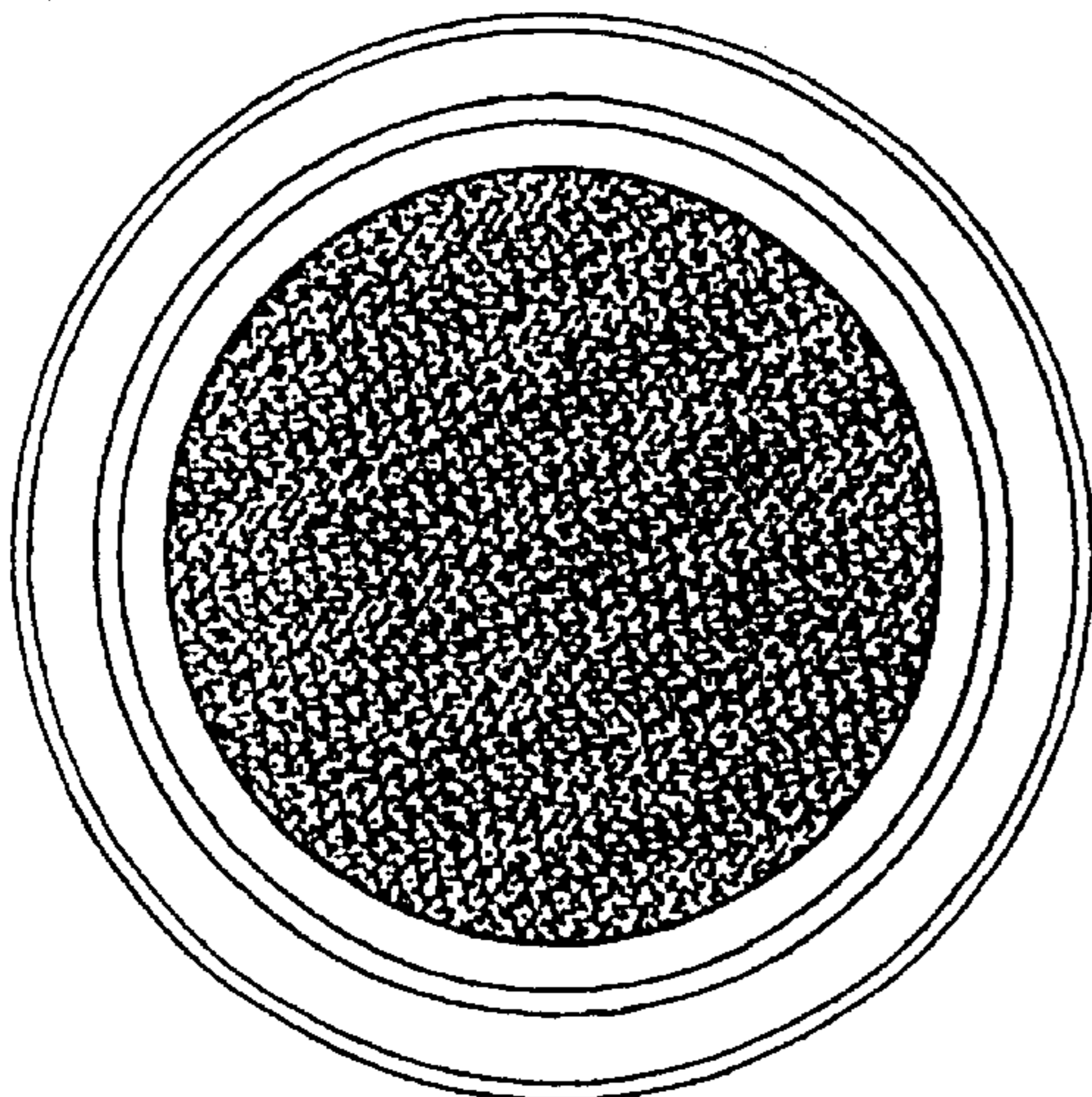


FIG. 1

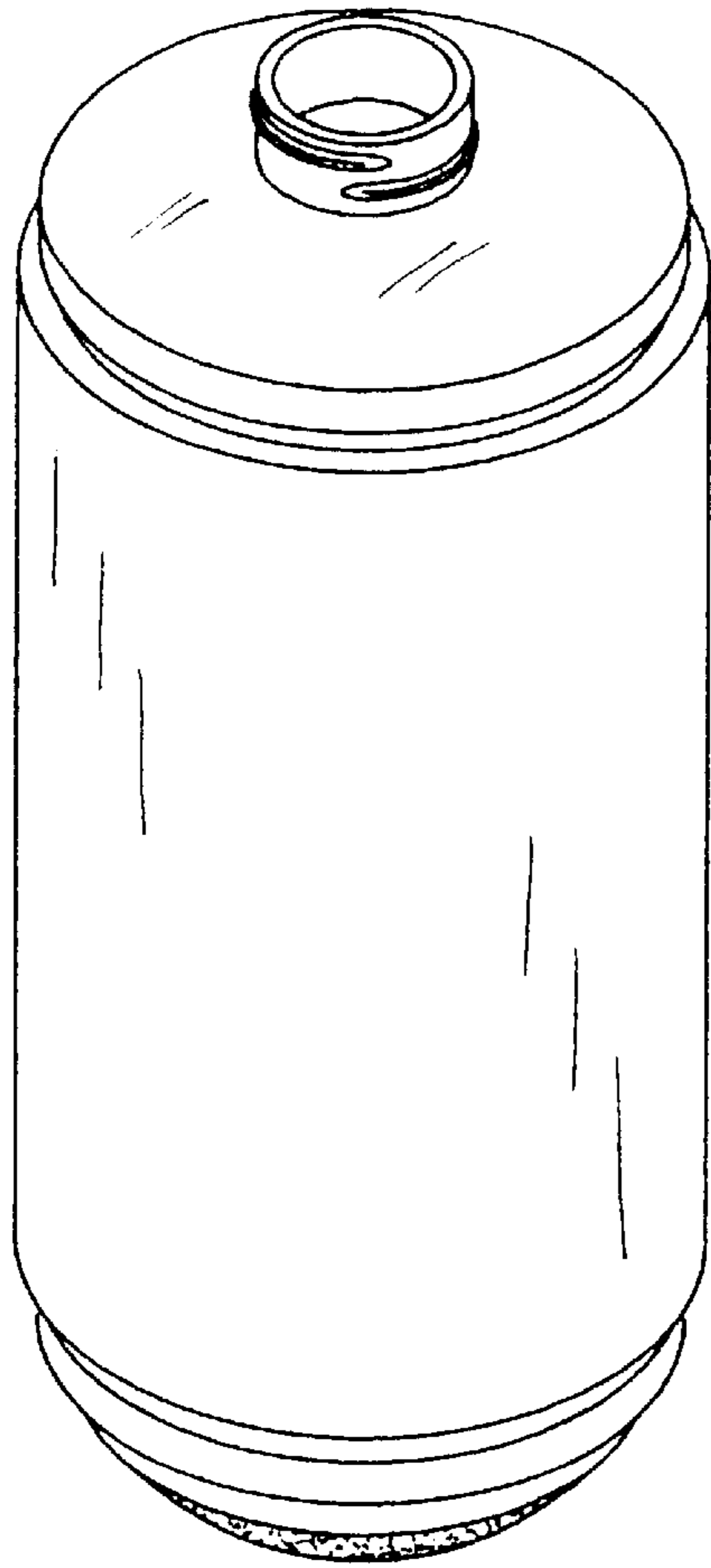


FIG. 4

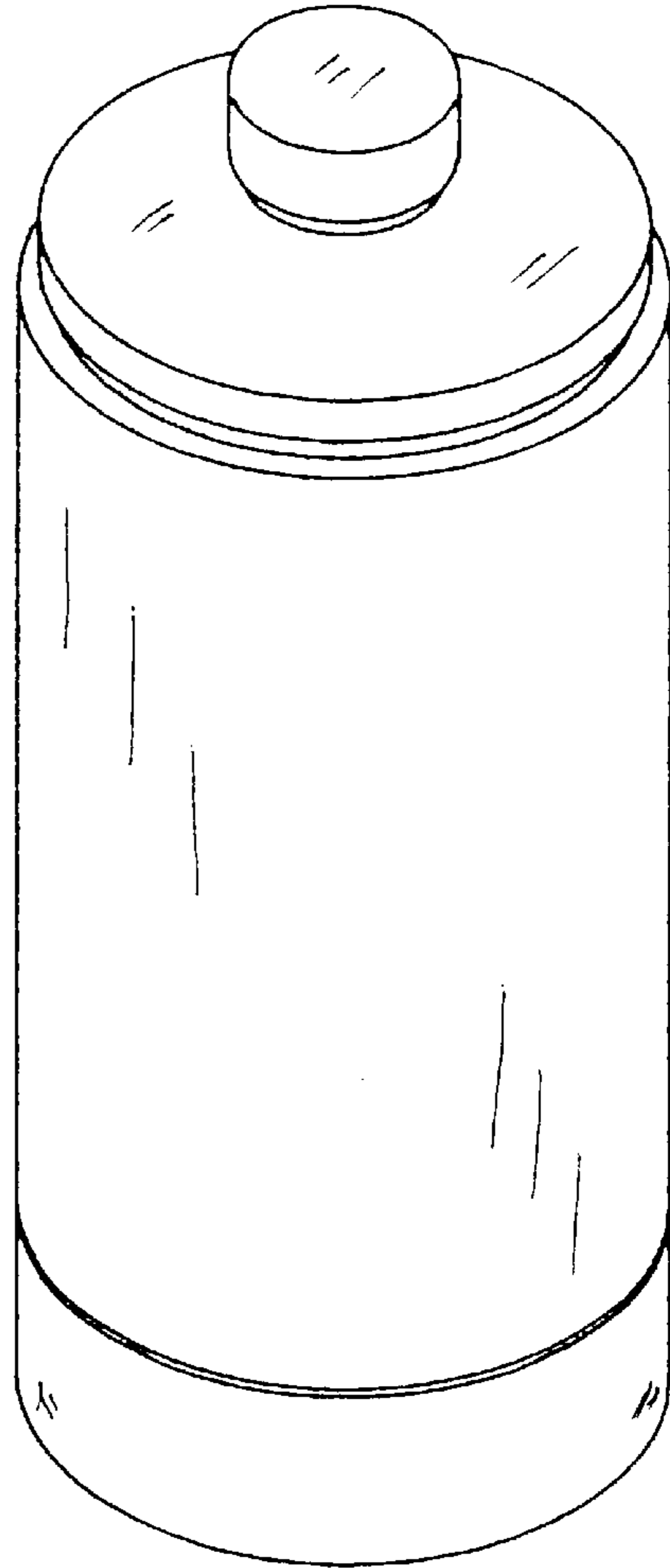


FIG. 5

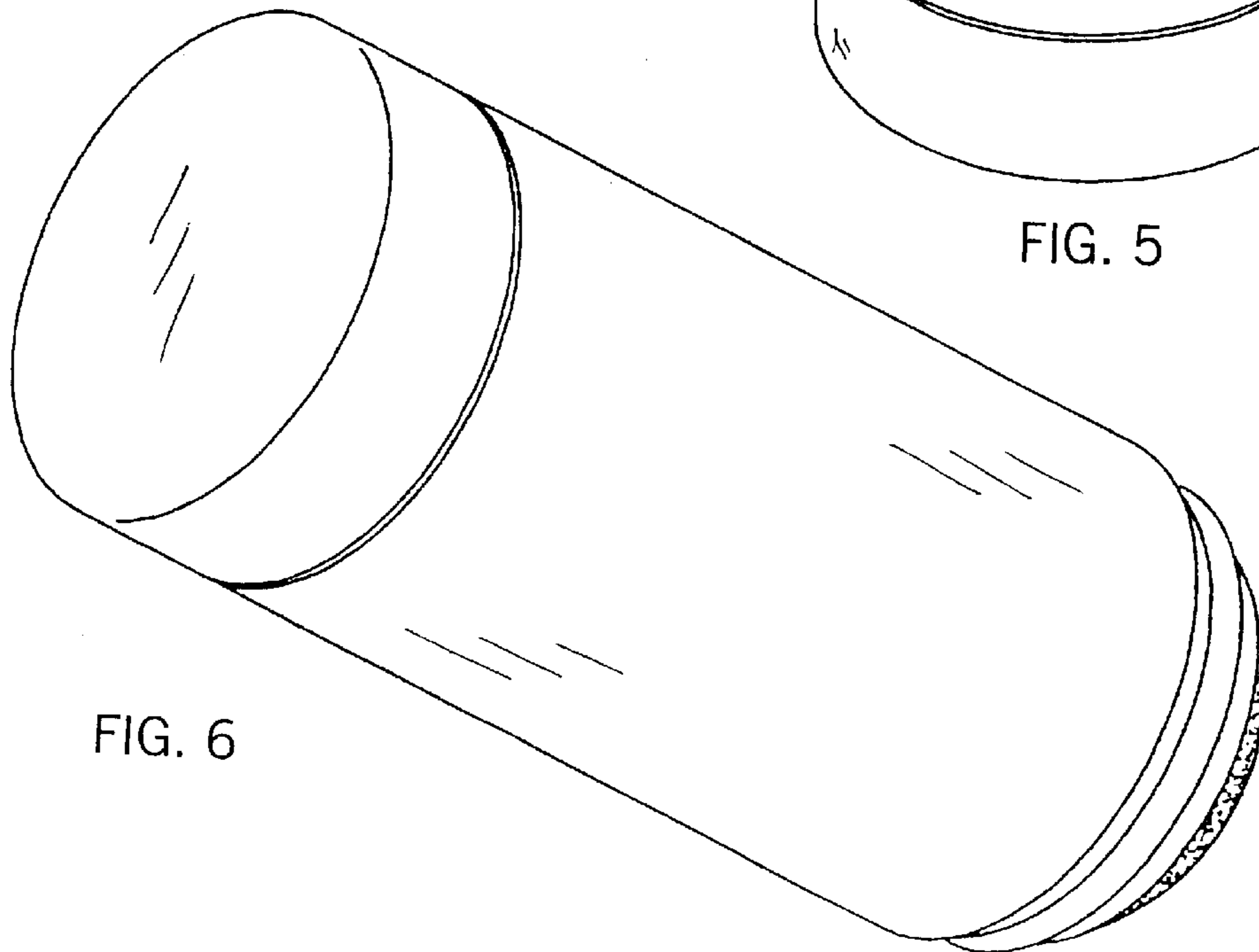


FIG. 6

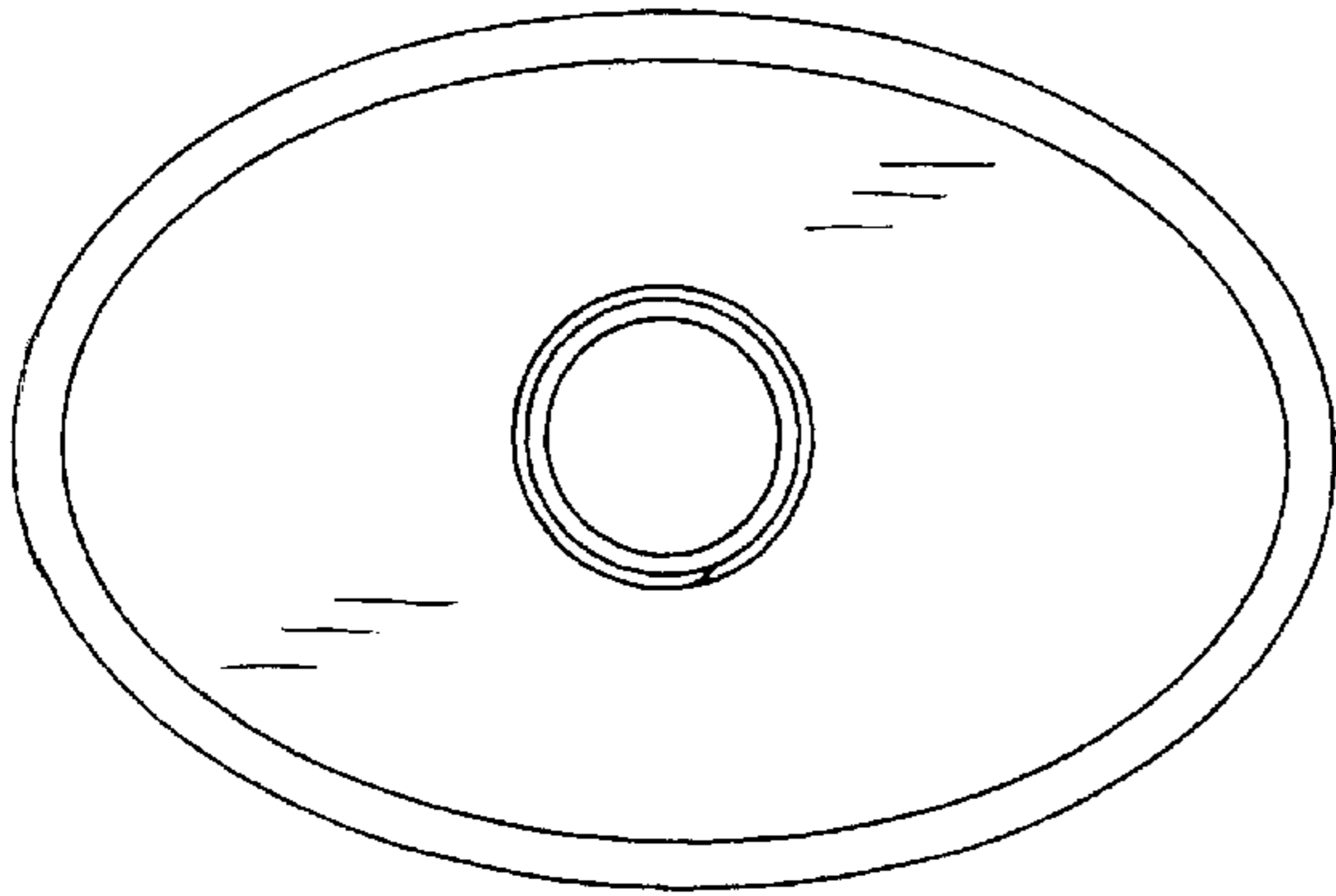


FIG. 8

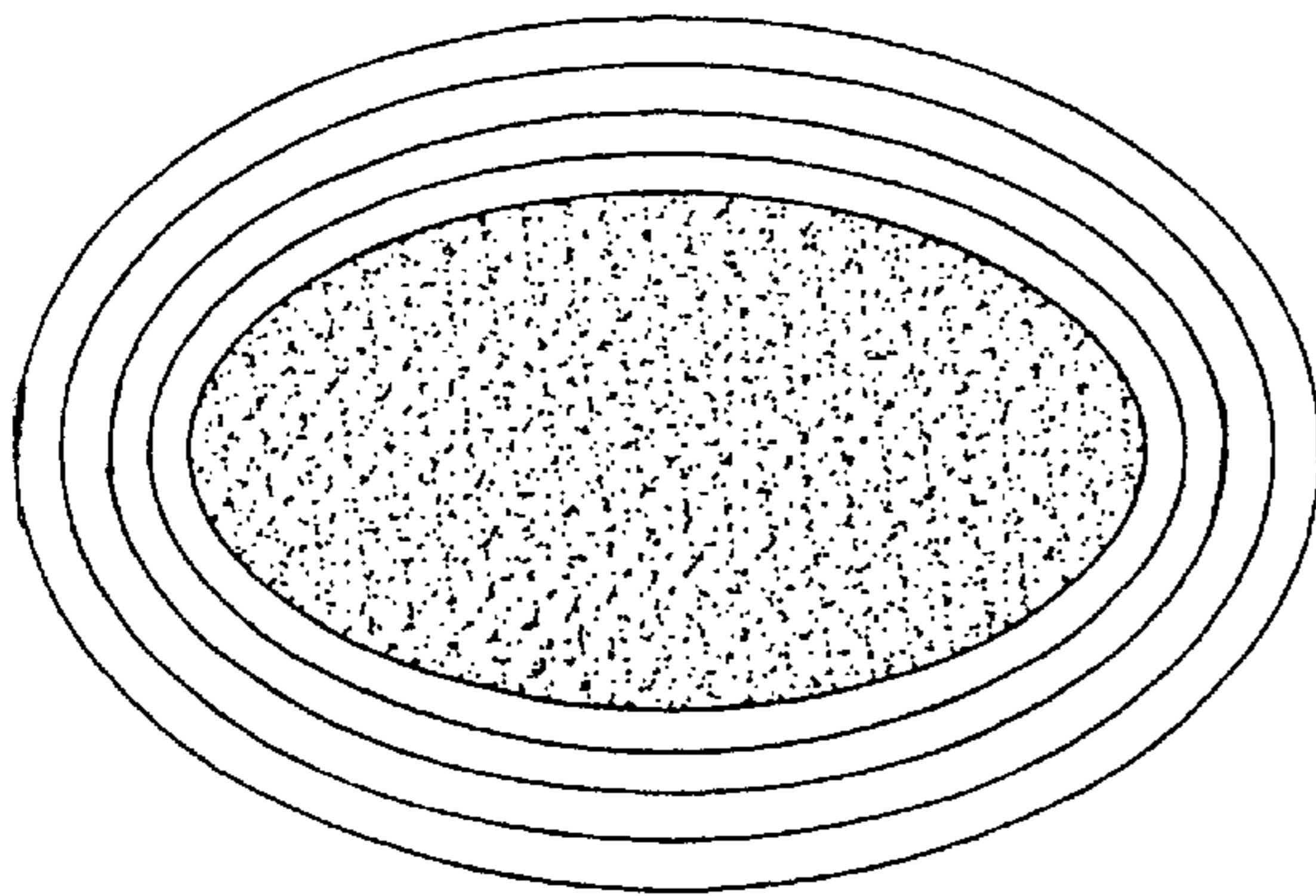


FIG. 9

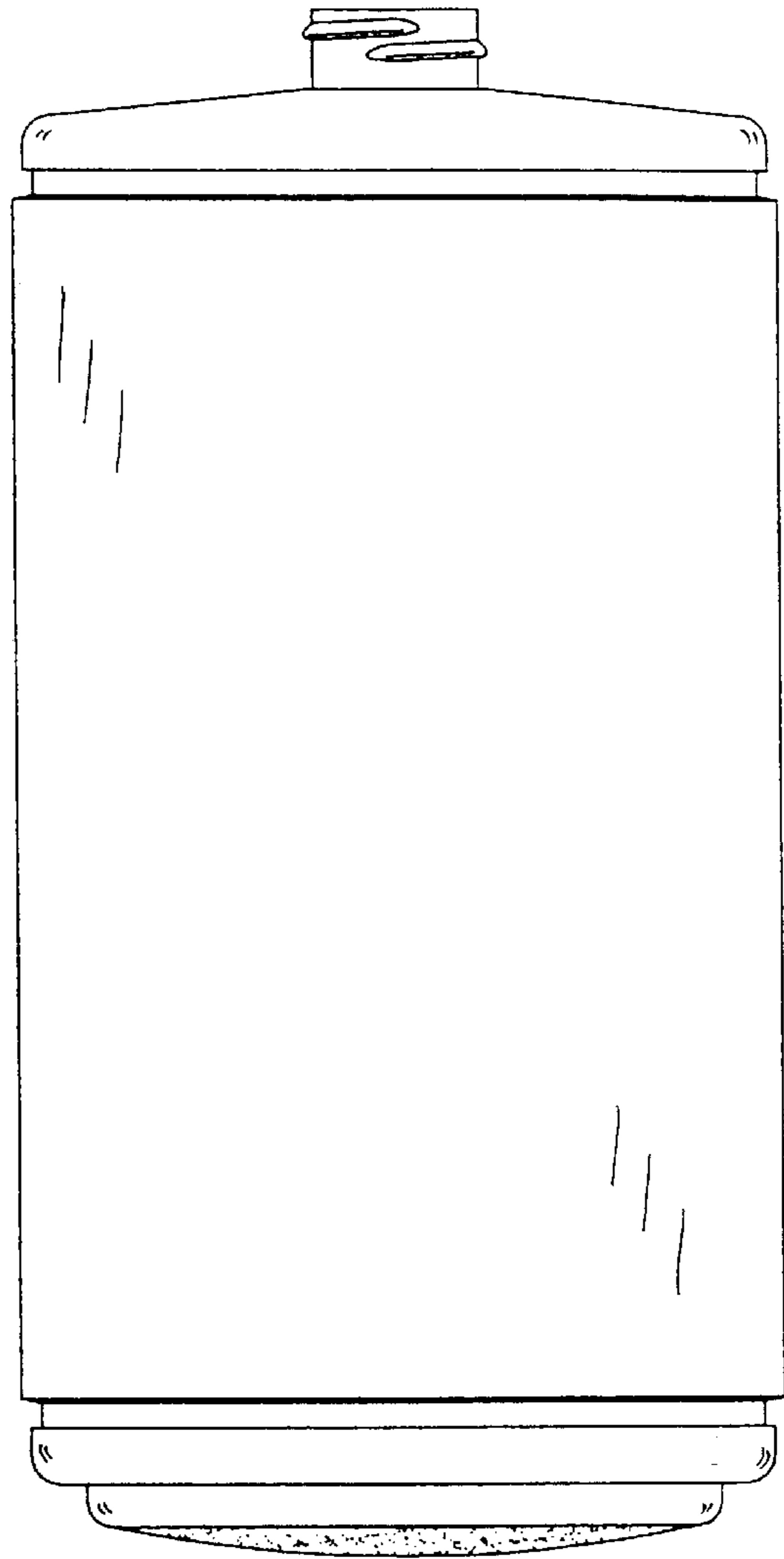


FIG. 7

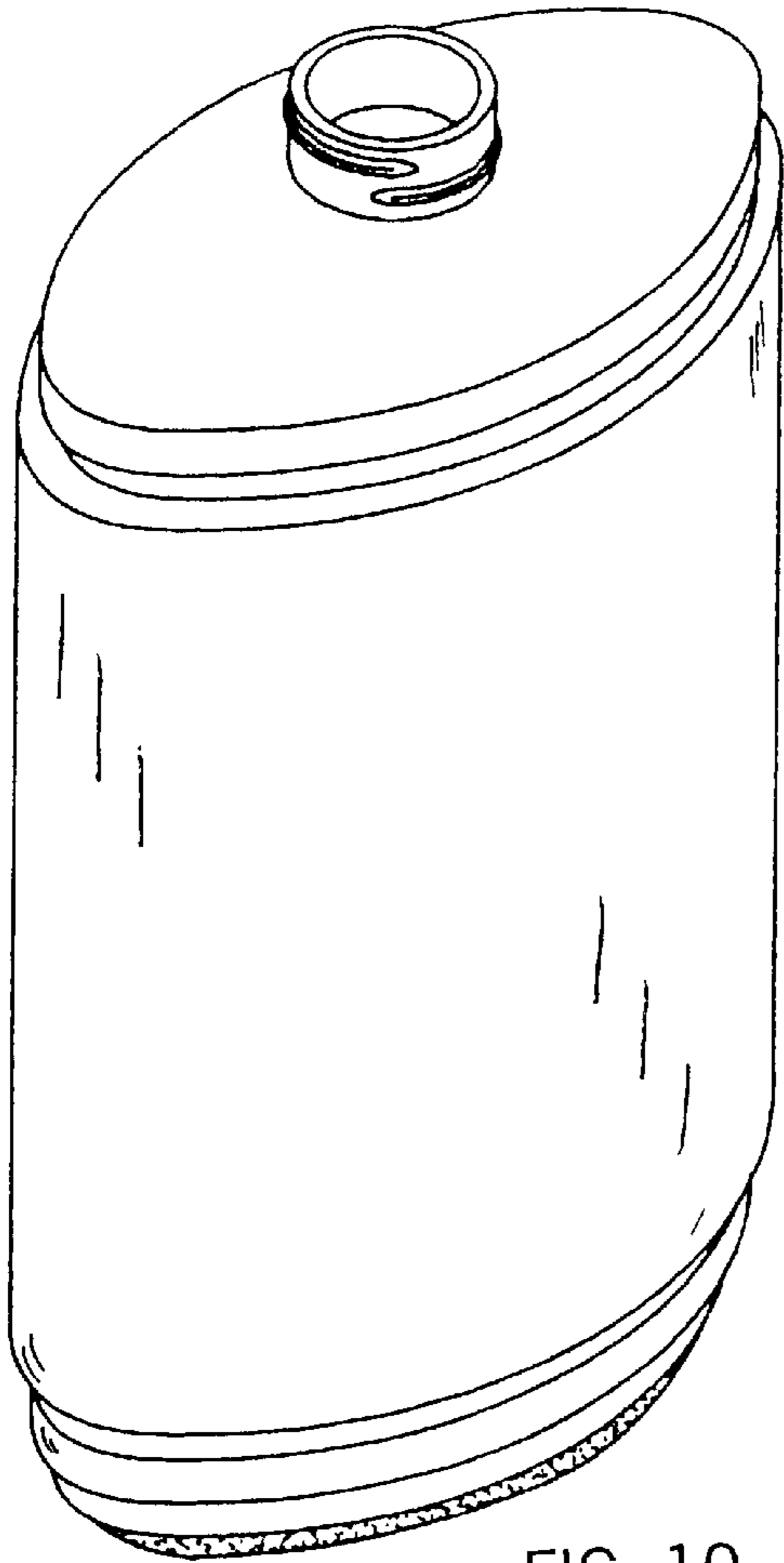


FIG. 10

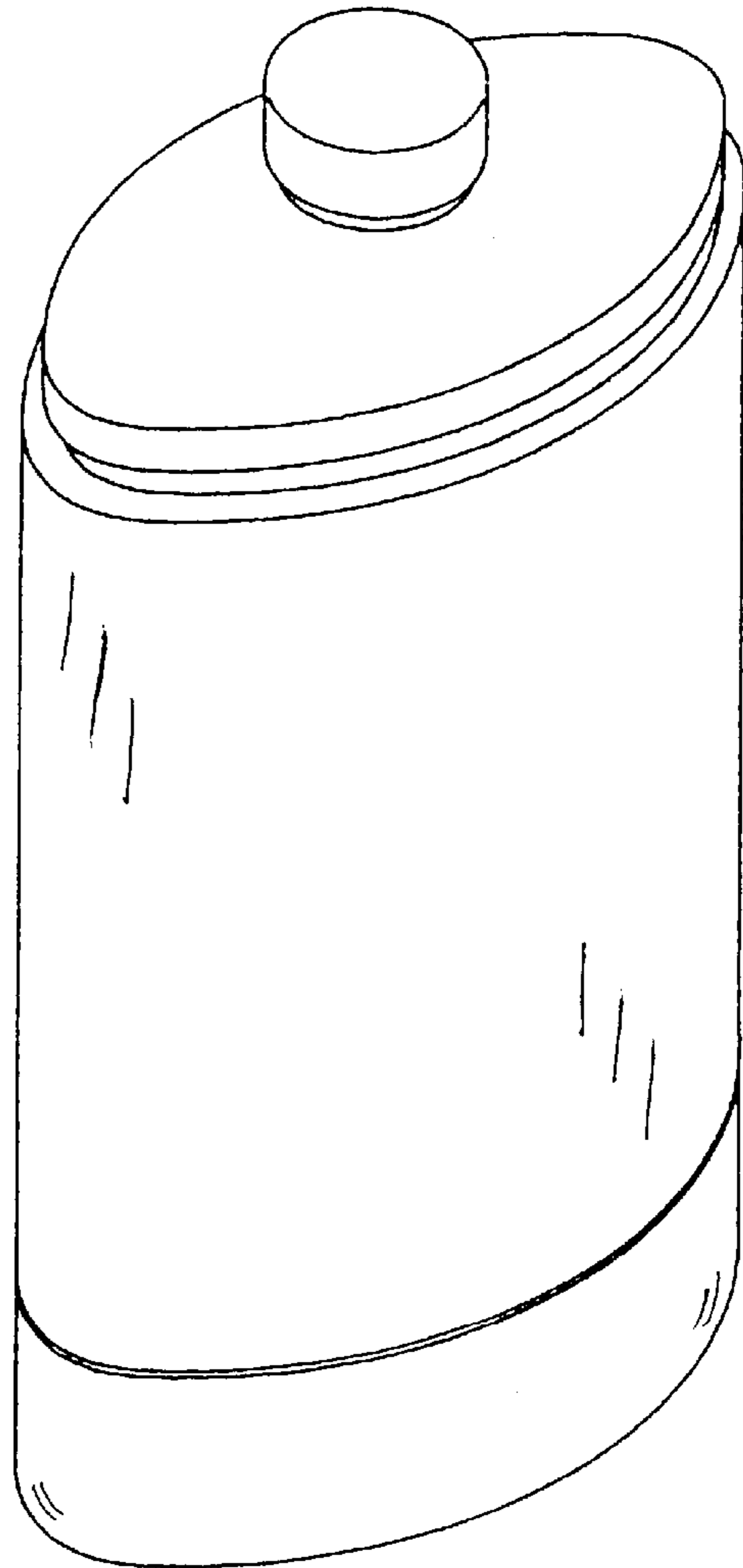


FIG. 11

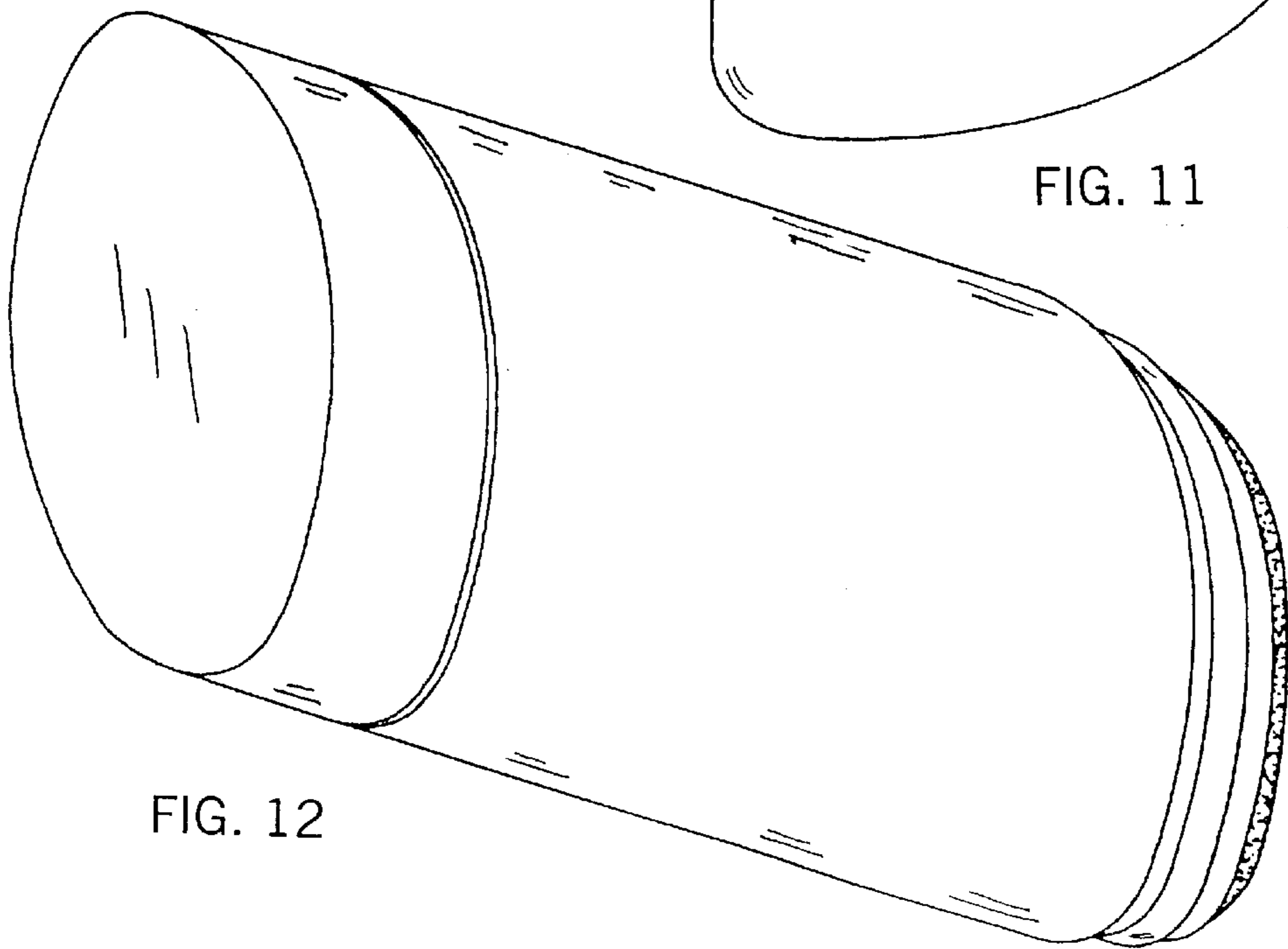


FIG. 12