



US00D481162S

(12) **United States Design Patent**
Lin

(10) **Patent No.:** **US D481,162 S**

(45) **Date of Patent:** **** Oct. 21, 2003**

(54) **FOOTBALL LIGHTER**

(76) **Inventor:** **Rong Lin**, 109 Kings Mountain Dr.,
Greer, SC (US) 29650

(**) **Term:** **14 Years**

(21) **Appl. No.:** **29/169,507**

(22) **Filed:** **Oct. 22, 2002**

(51) **LOC (7) Cl.** **27-05**

(52) **U.S. Cl.** **D27/148; D21/712**

(58) **Field of Search** **D21/712; D27/141,**
D27/142, 148, 152, 160; 431/253

(56) **References Cited**

U.S. PATENT DOCUMENTS

D78,334 S * 4/1929 Brandes D27/148

D228,328 S * 9/1973 Schley D21/712

* cited by examiner

Primary Examiner—Jennifer Rivard

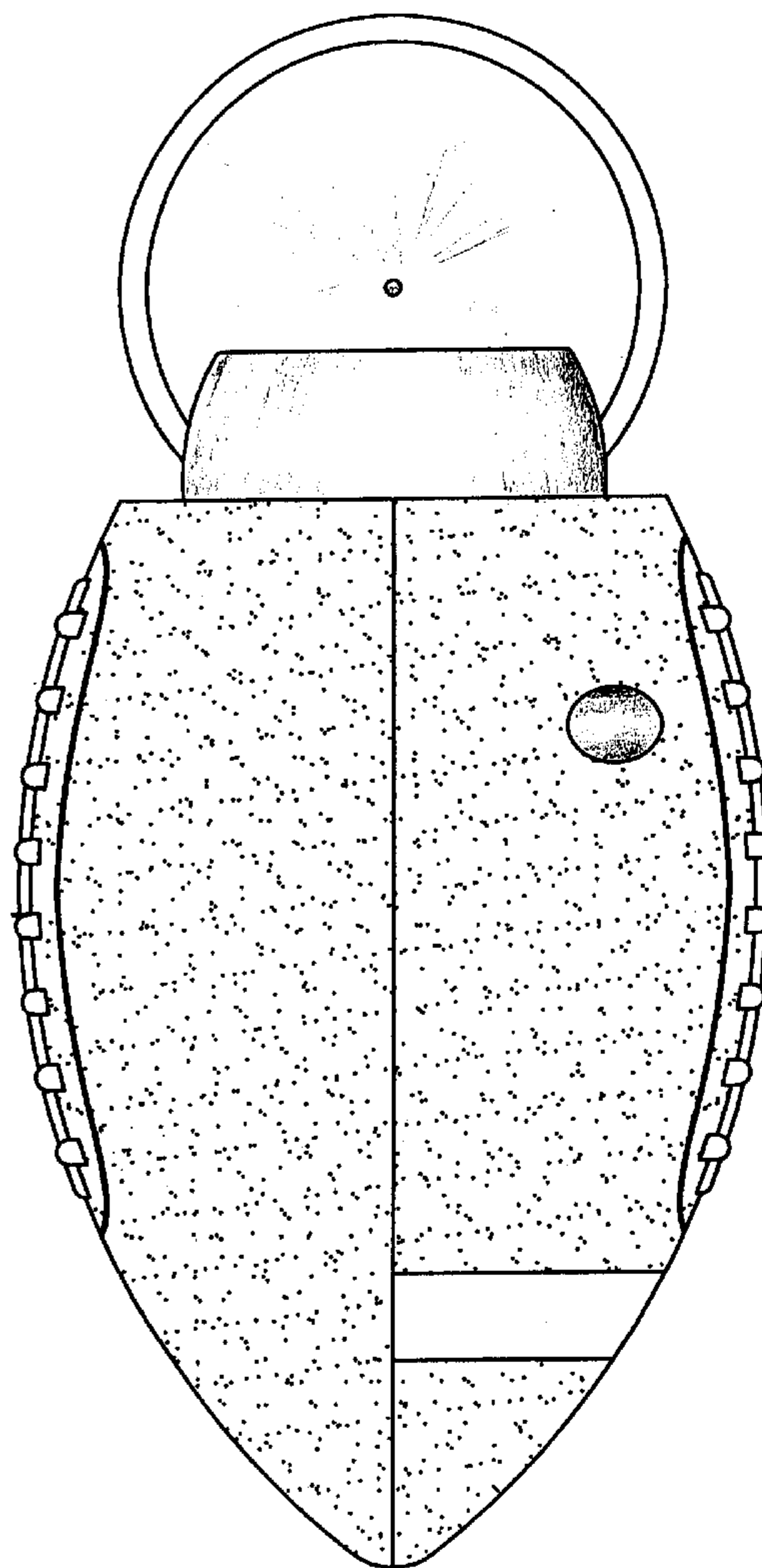
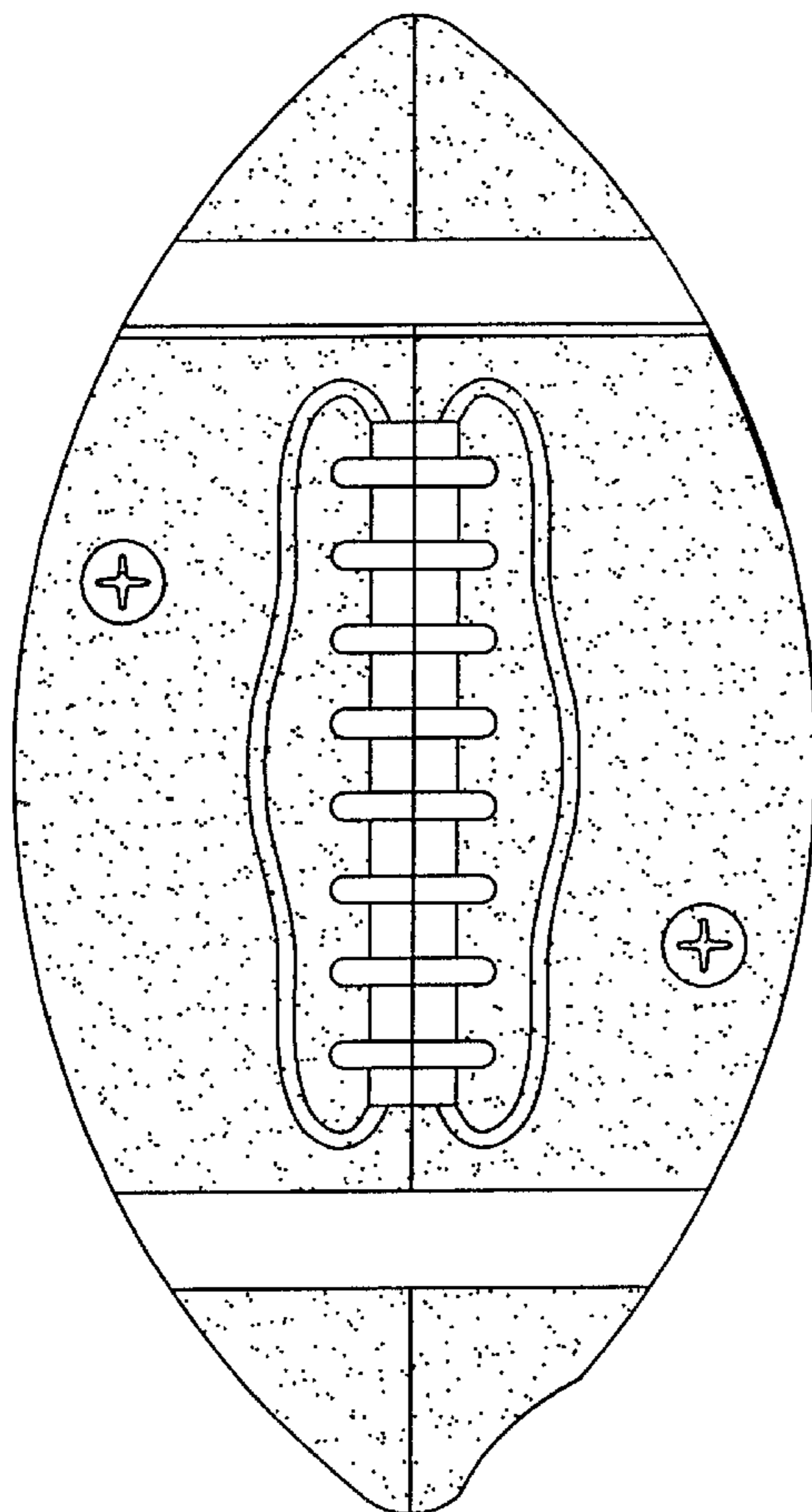
(57) **CLAIM**

The ornamental design for a football lighter, as shown.

DESCRIPTION

FIG. 1 is a front elevation view in a closed position;
FIG. 2 is a rear elevation view thereof;
FIG. 3 is a left side elevation view thereof;
FIG. 4 is a right side elevation view thereof;
FIG. 5 is a top plan view thereof;
FIG. 6 is a bottom plan view thereof;
FIG. 7 is a front elevation view in an open position;
FIG. 8 is a left side elevation view thereof; and,
FIG. 9 is a top plan view thereof.

1 Claim, 9 Drawing Sheets



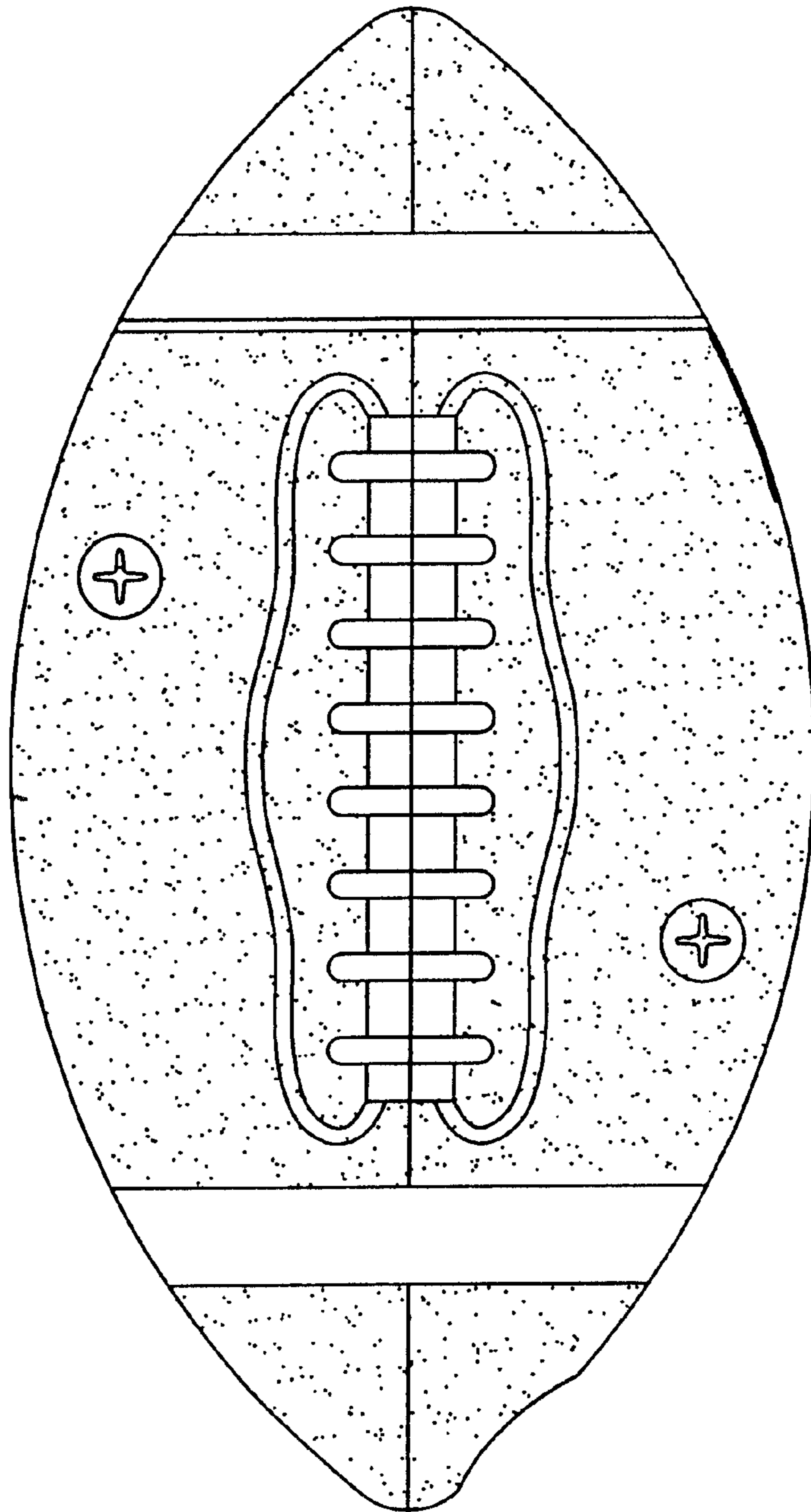


FIG. 1

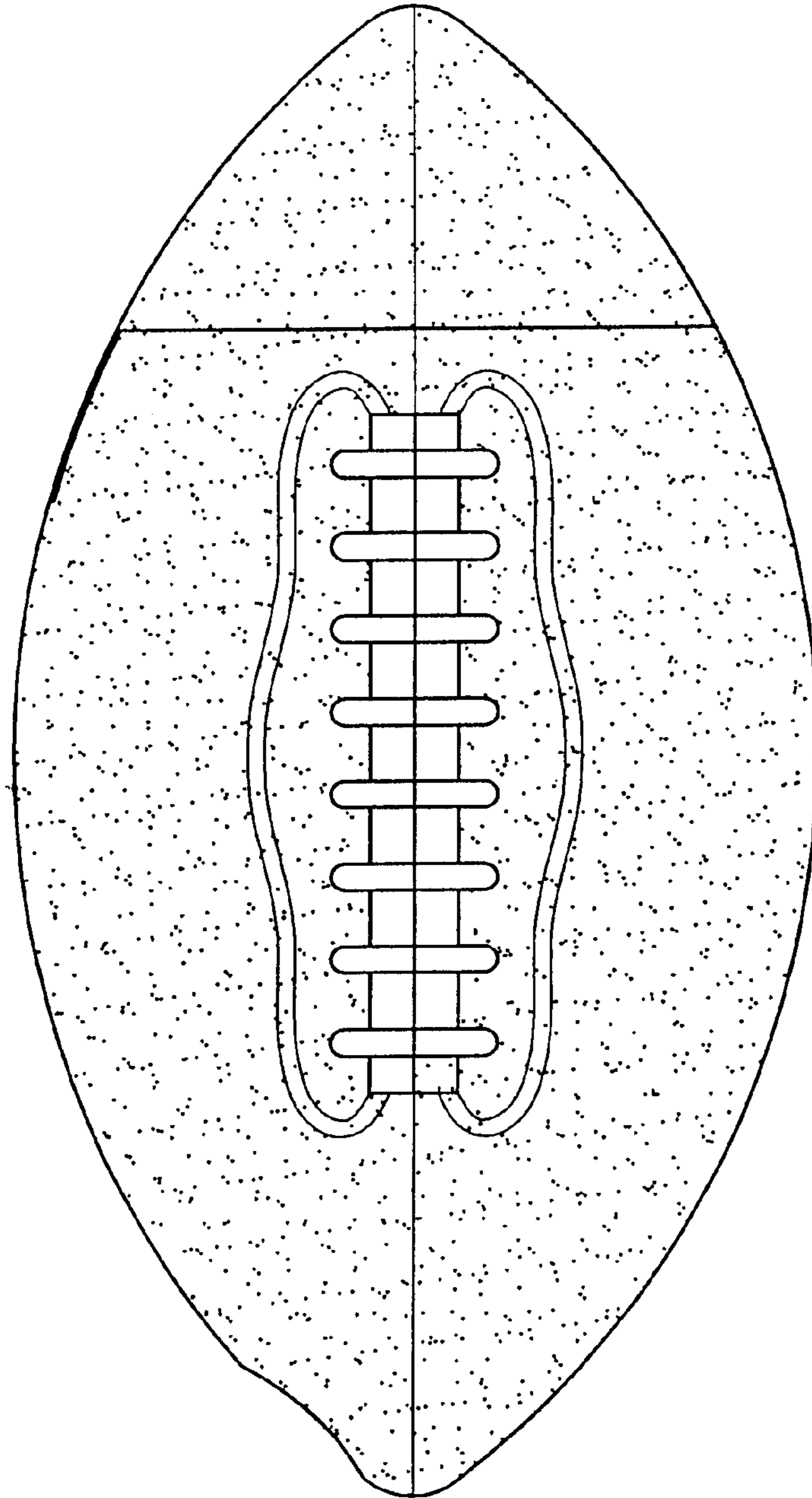


FIG. 2

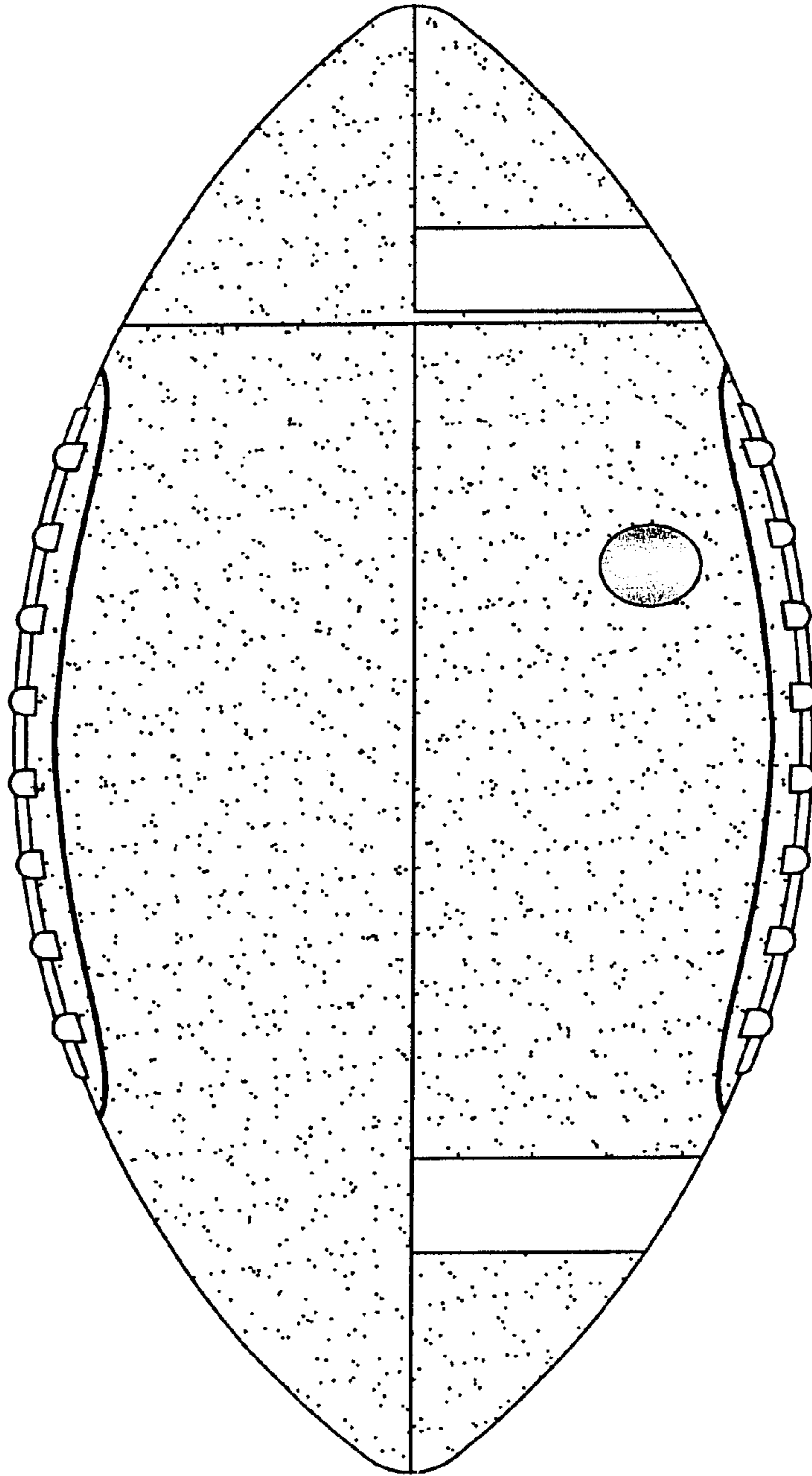


FIG. 3

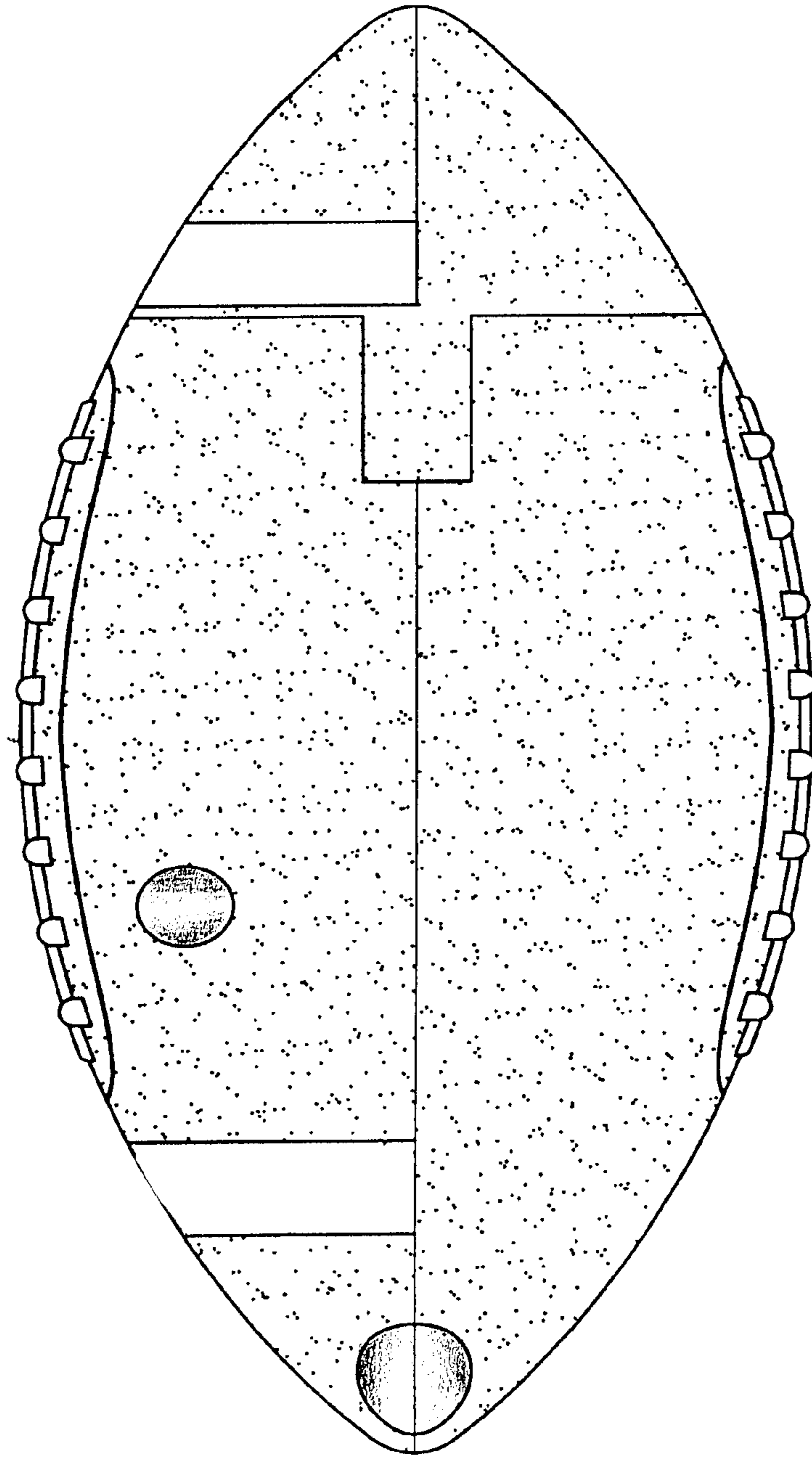


FIG. 4

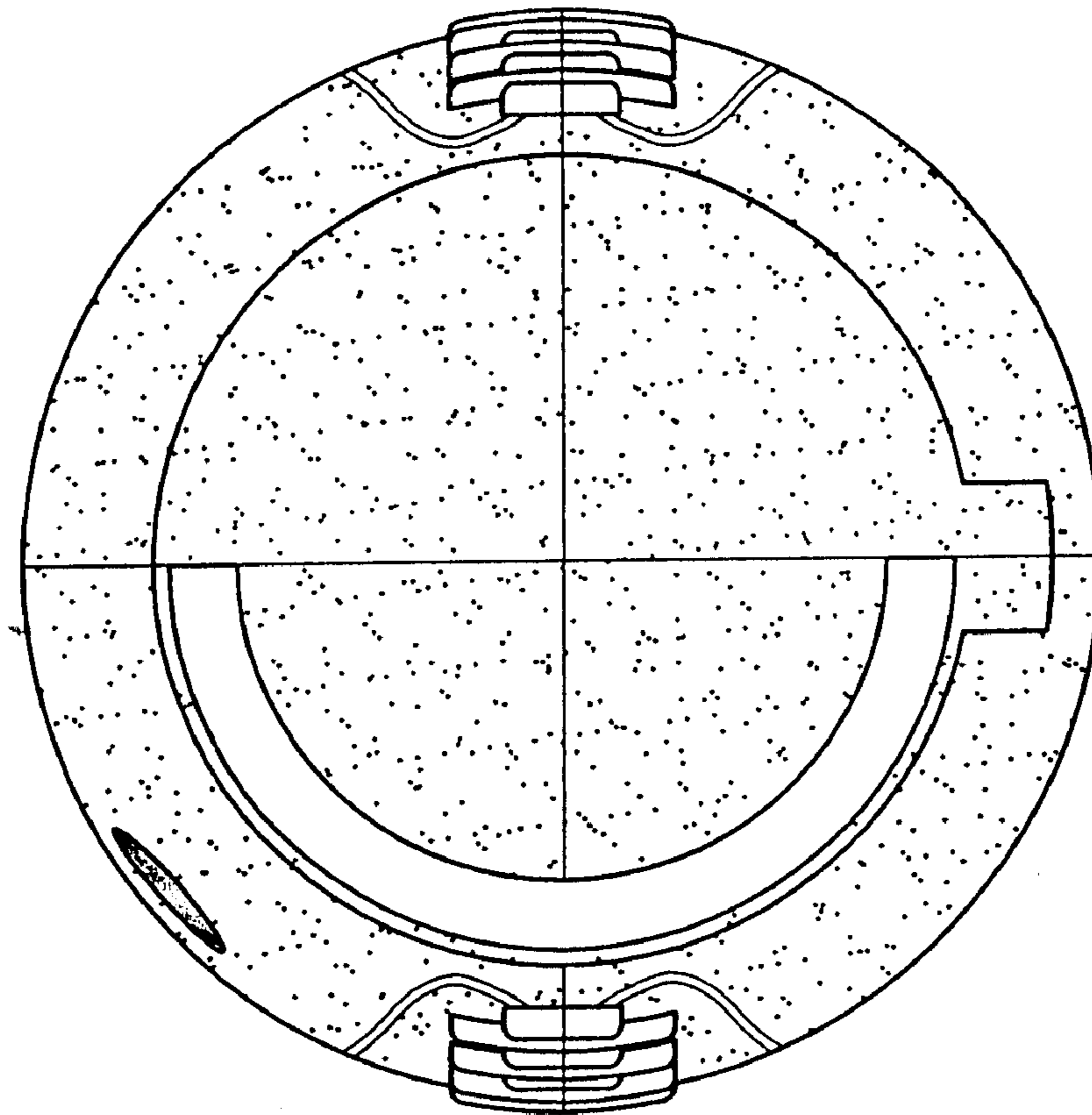


FIG. 5

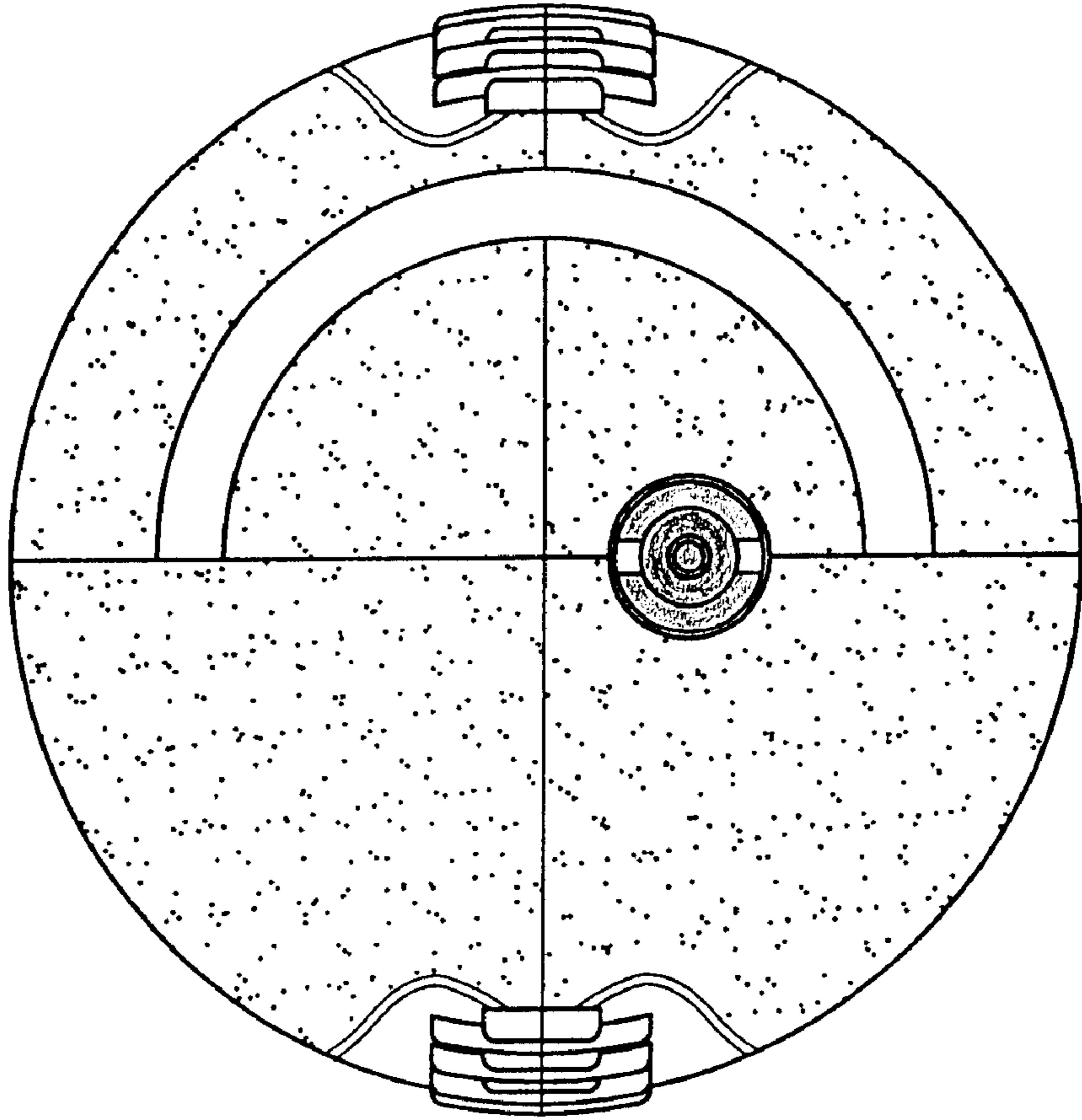


FIG. 6

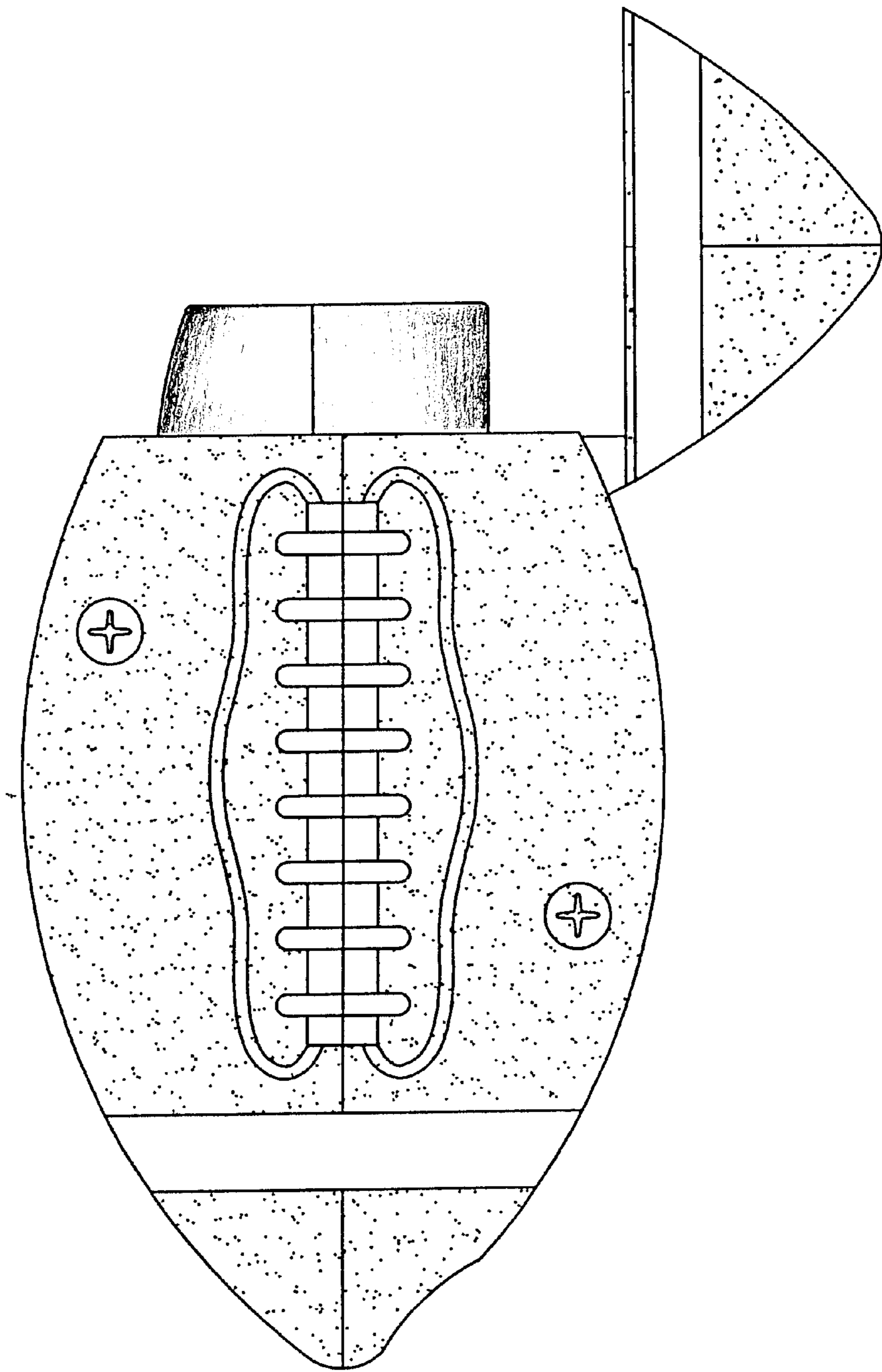


FIG. 7

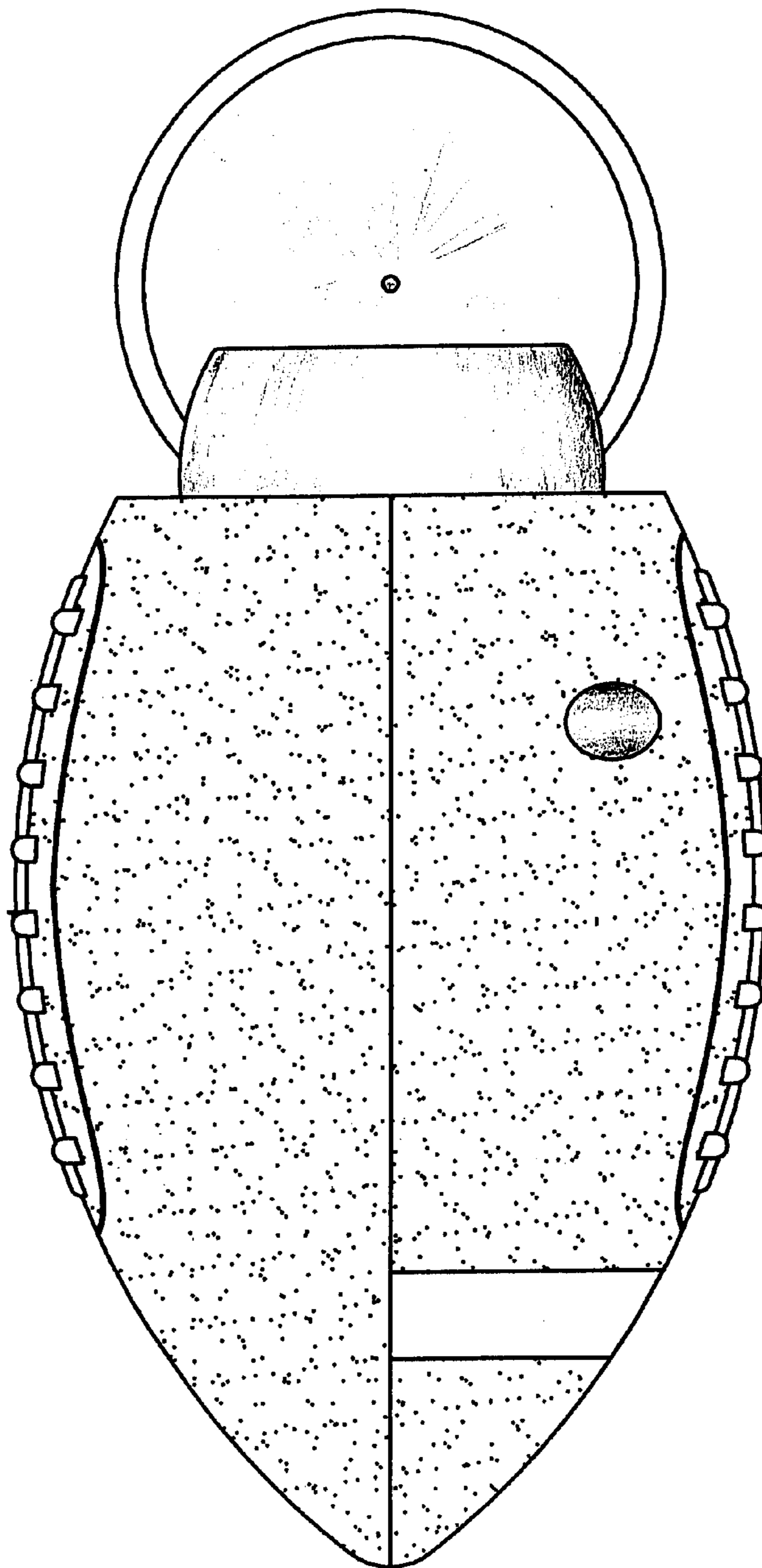


FIG. 8

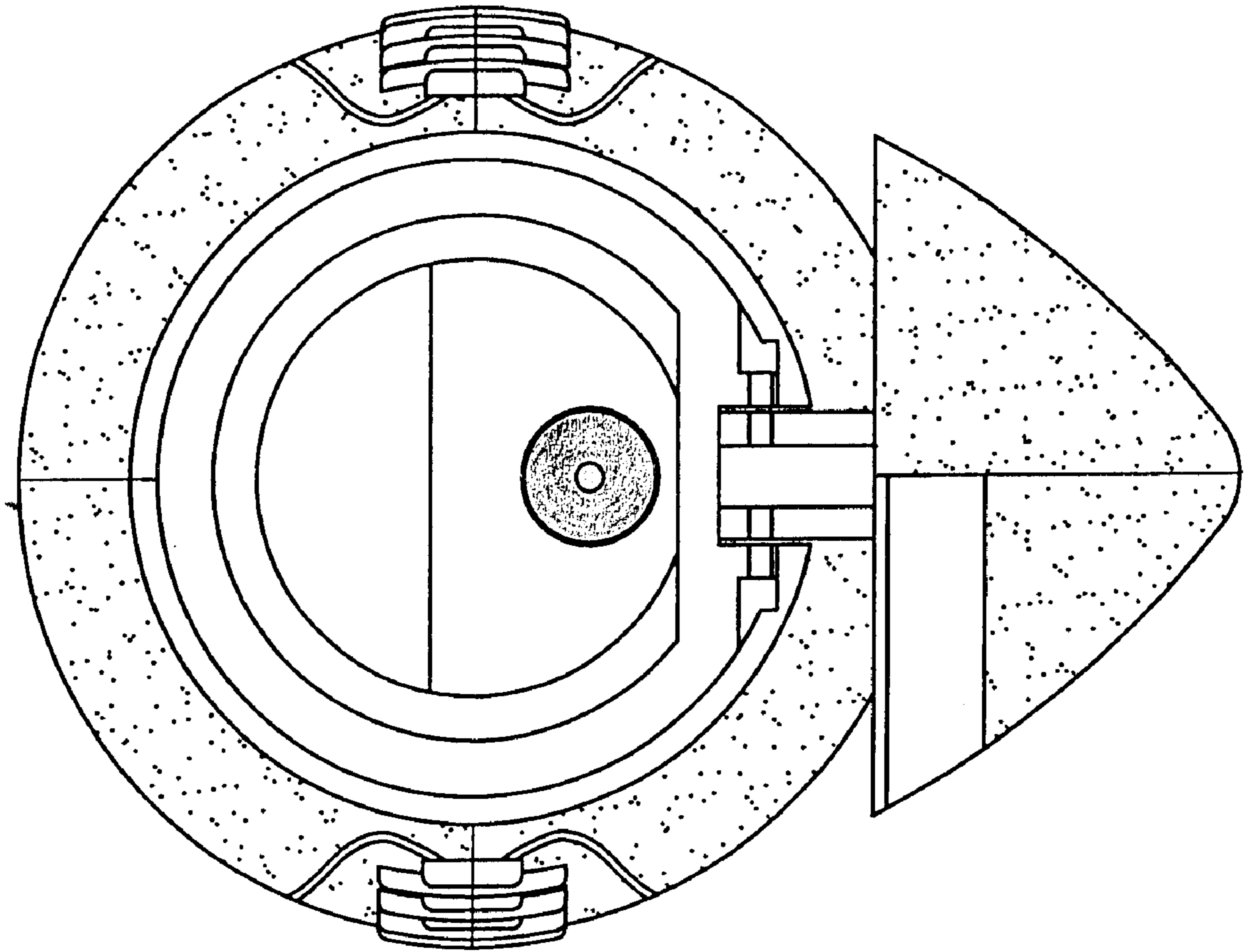


FIG. 9