



US00D481161S

(12) **United States Design Patent**
Hoyle

(10) **Patent No.:** **US D481,161 S**

(45) **Date of Patent:** **** Oct. 21, 2003**

(54) **OBLONG SHAPED LAMP OPENINGS FOR USE IN A VEHICLE AIR DAM**

Primary Examiner—Marcus A. Jackson
(74) *Attorney, Agent, or Firm*—Standley & Gilcrest LLP

(75) **Inventor:** **Frederick L. Hoyle**, Pickerington, OH (US)

(57) **CLAIM**

The ornamental design for oblong shaped lamp openings for use in a vehicle air dam, as shown and described.

(73) **Assignees:** **Frederick L. Hoyle, Jr.**, Pickerington, OH (US); **Superior Production Partnership**, Columbus, OH (US)

DESCRIPTION

(**) **Term:** **14 Years**

FIG. 1 is a front elevational view of oblong shaped lamp openings for use in a vehicle air dam showing my new design;

(21) **Appl. No.:** **29/170,977**

FIG. 2 is a perspective view thereof;

(22) **Filed:** **Nov. 14, 2002**

FIG. 3 is an enlarged, partial front elevational view of a first embodiment of the oblong shaped lamp openings for use in a vehicle air dam;

(51) **LOC (7) Cl.** **26-99**

(52) **U.S. Cl.** **D26/139**

(58) **Field of Search** D26/28-36, 120, D26/139; 362/61, 80, 81, 82, 83, 326, 329-340

FIG. 4 is a first sectional view taken along line 4-4 of FIG. 3;

(56) **References Cited**

U.S. PATENT DOCUMENTS

D120,209 S	4/1940	Aché	D12/169
D186,160 S	9/1959	Schemansky	D12/92
D187,368 S	3/1960	MacKichan	D12/92
D288,137 S	2/1987	Hirano	D26/120
D354,363 S	1/1995	Tsai	D26/28
D364,239 S	11/1995	Sacco et al.	D26/28
5,482,336 A	1/1996	Rouse et al.	293/115
D382,659 S	8/1997	Kaloustian	D26/28
D409,126 S	5/1999	Hoyle, Jr.	D12/169
D411,330 S	6/1999	Goebert et al.	D26/139
D435,314 S	* 12/2000	Hoyle, Jr.	D26/139
D465,860 S	* 11/2002	Huang	D26/139
D465,861 S	* 11/2002	Huang	D26/139

FIG. 5 is a second sectional view taken along line 5-5 of FIG. 3;

FIG. 6 is an enlarged, partial front elevational view of a second embodiment of the oblong shaped lamp openings for use in a vehicle air dam;

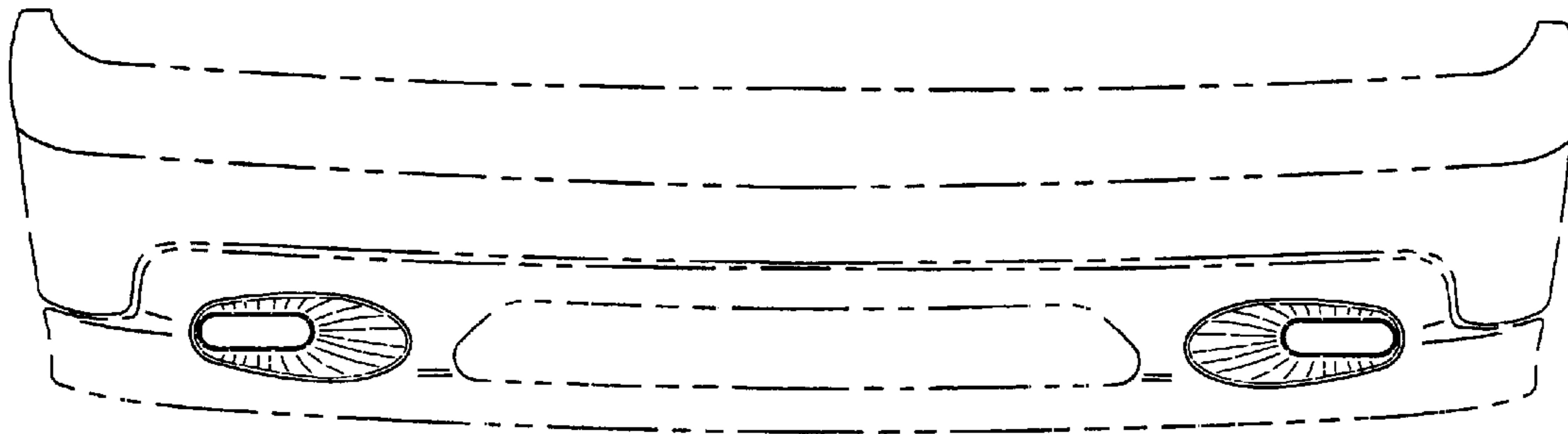
FIG. 7 is a first sectional view taken along line 7-7 of FIG. 6; and,

FIG. 8 is a second sectional view taken along line 8-8 of FIG. 6.

The vehicle bumper and air dam is shown in broken lines for illustrative purposes only, and forms no part of the claimed design.

* cited by examiner

1 Claim, 3 Drawing Sheets



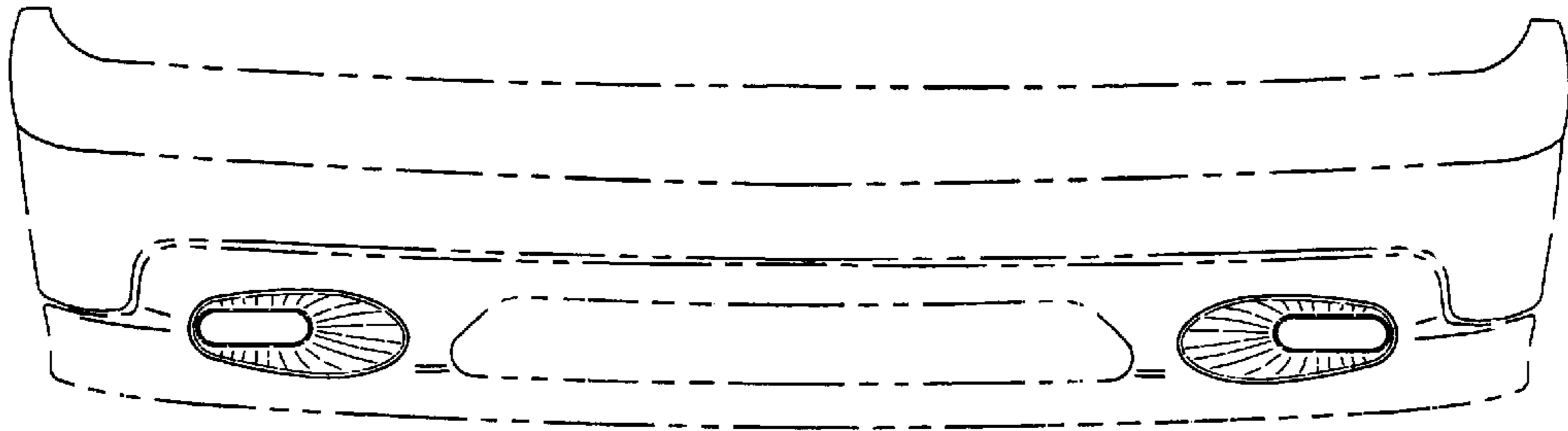


FIG. 1

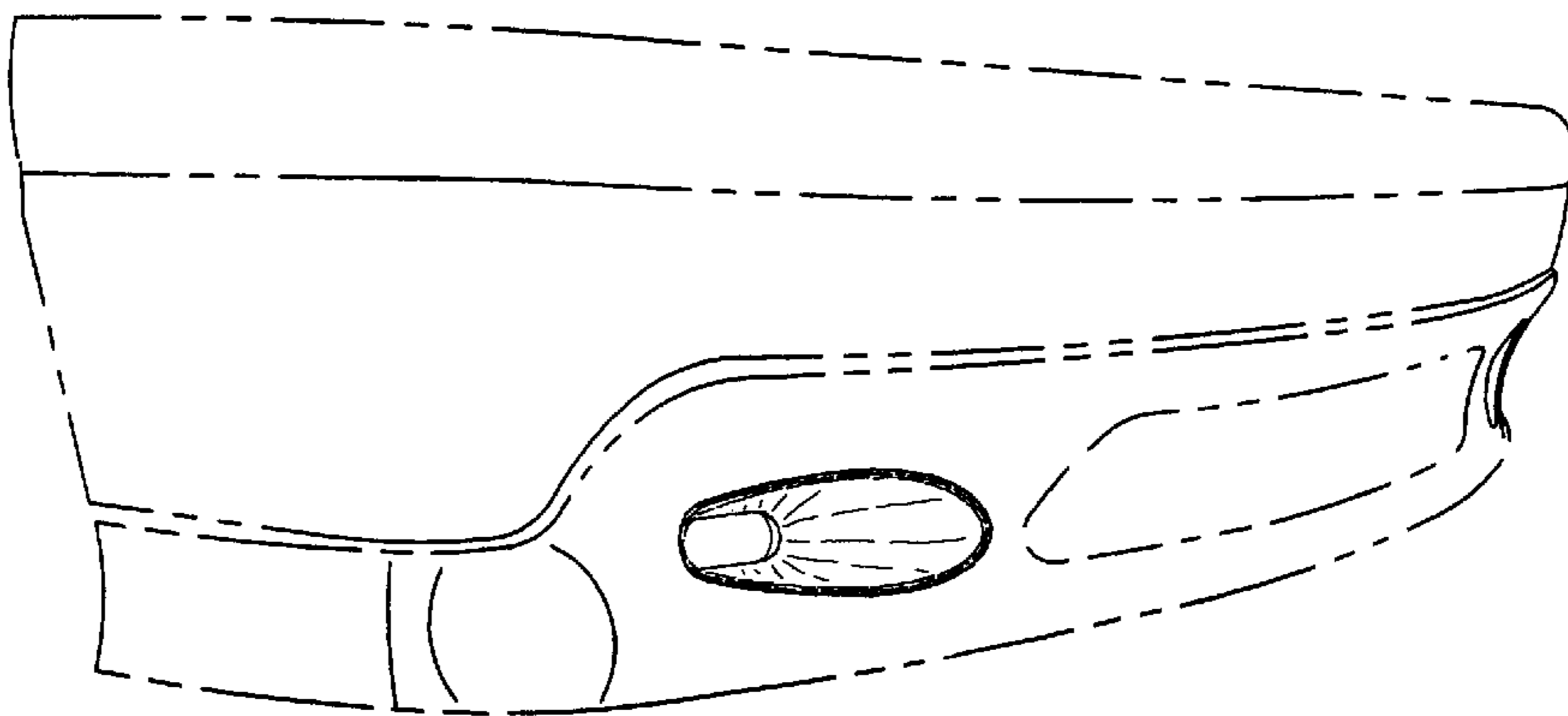


FIG. 2

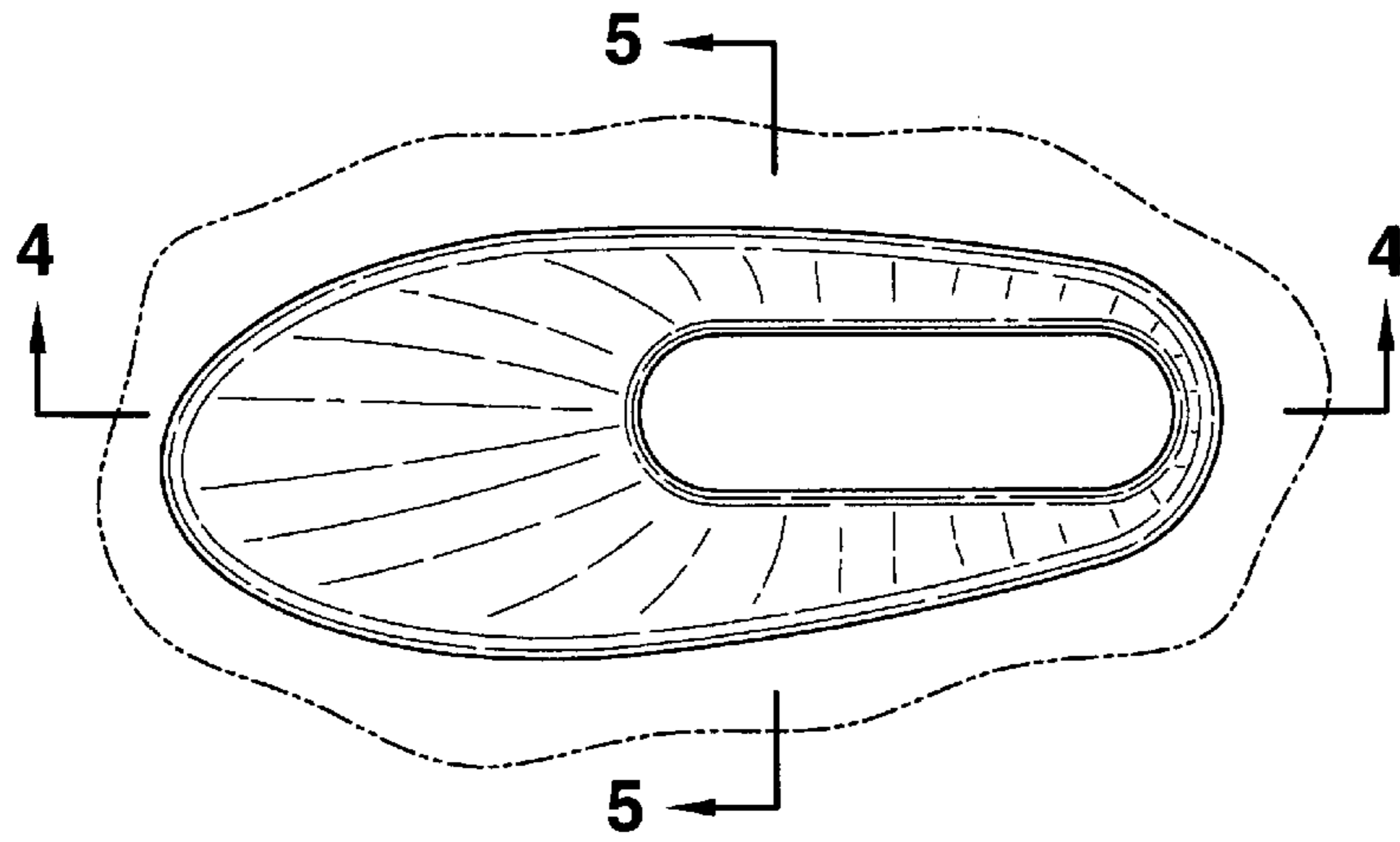


FIG. 3

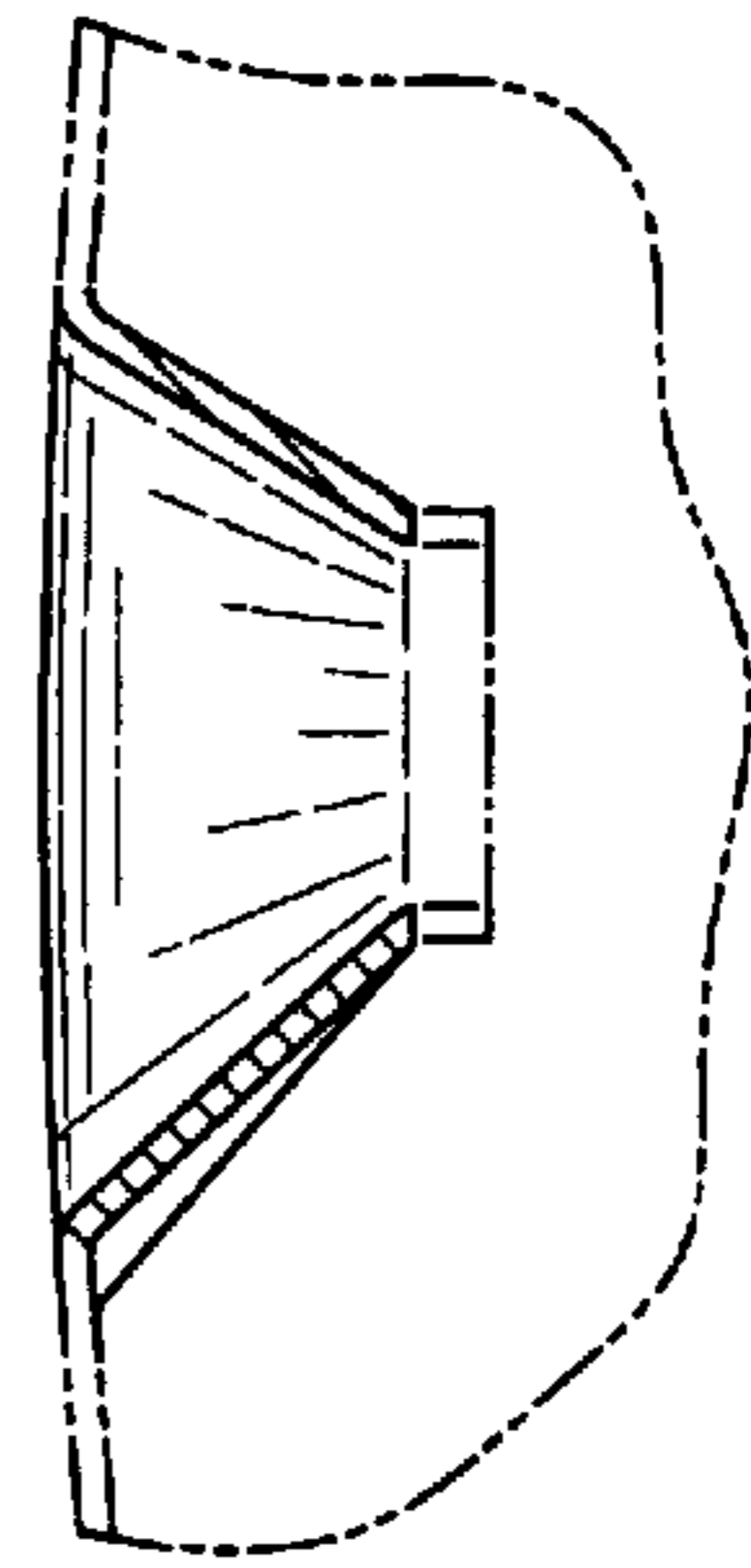


FIG. 5

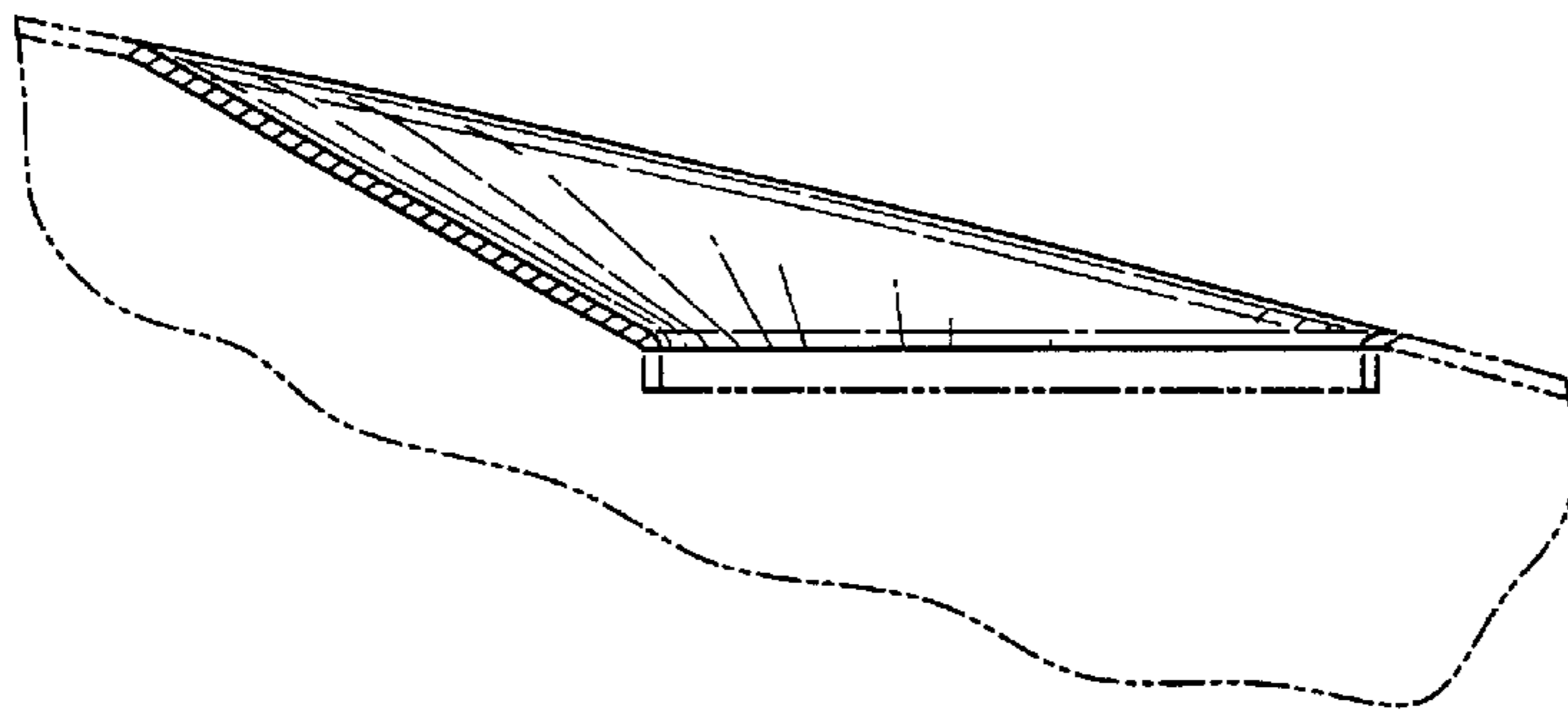


FIG. 4

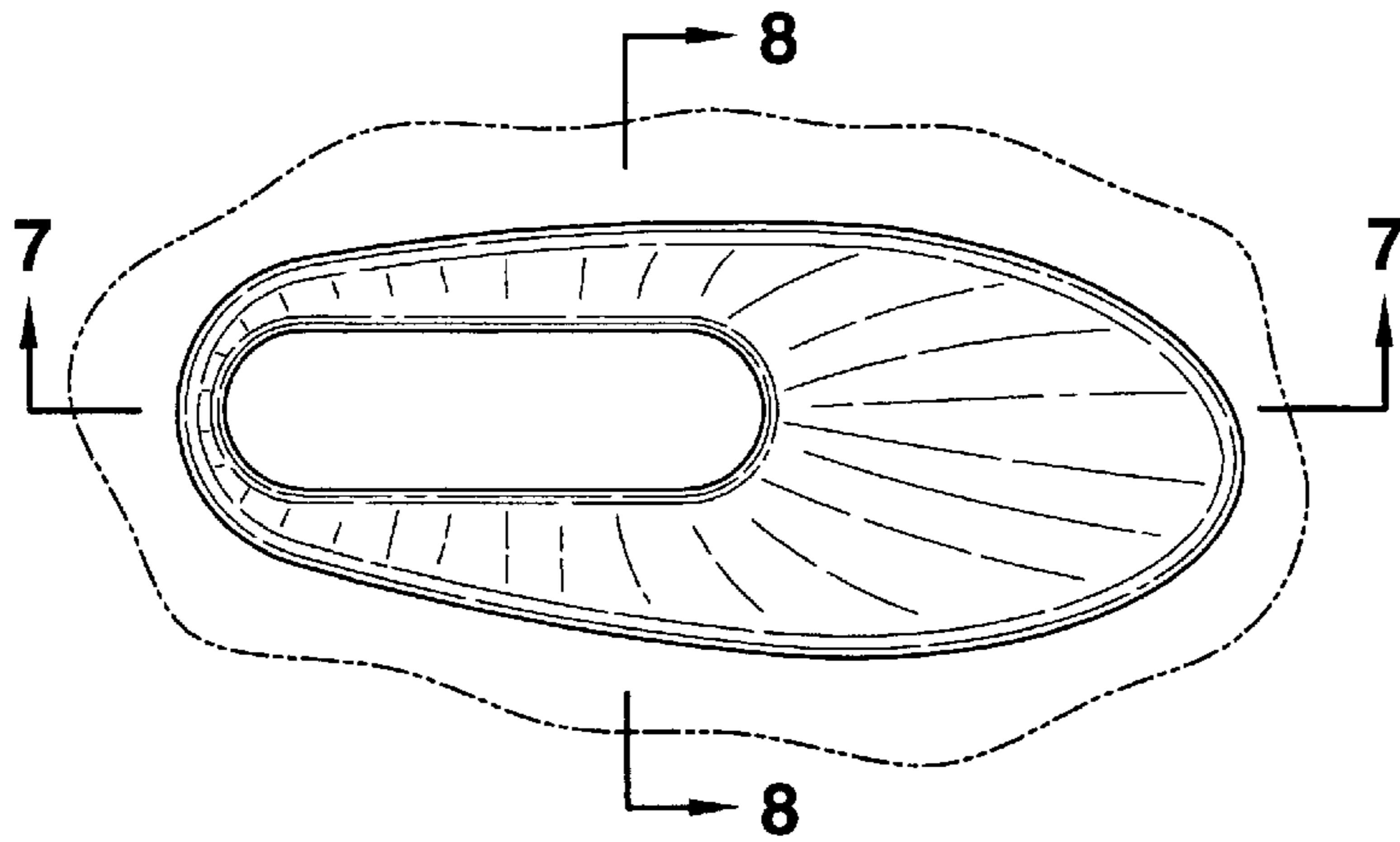


FIG. 6

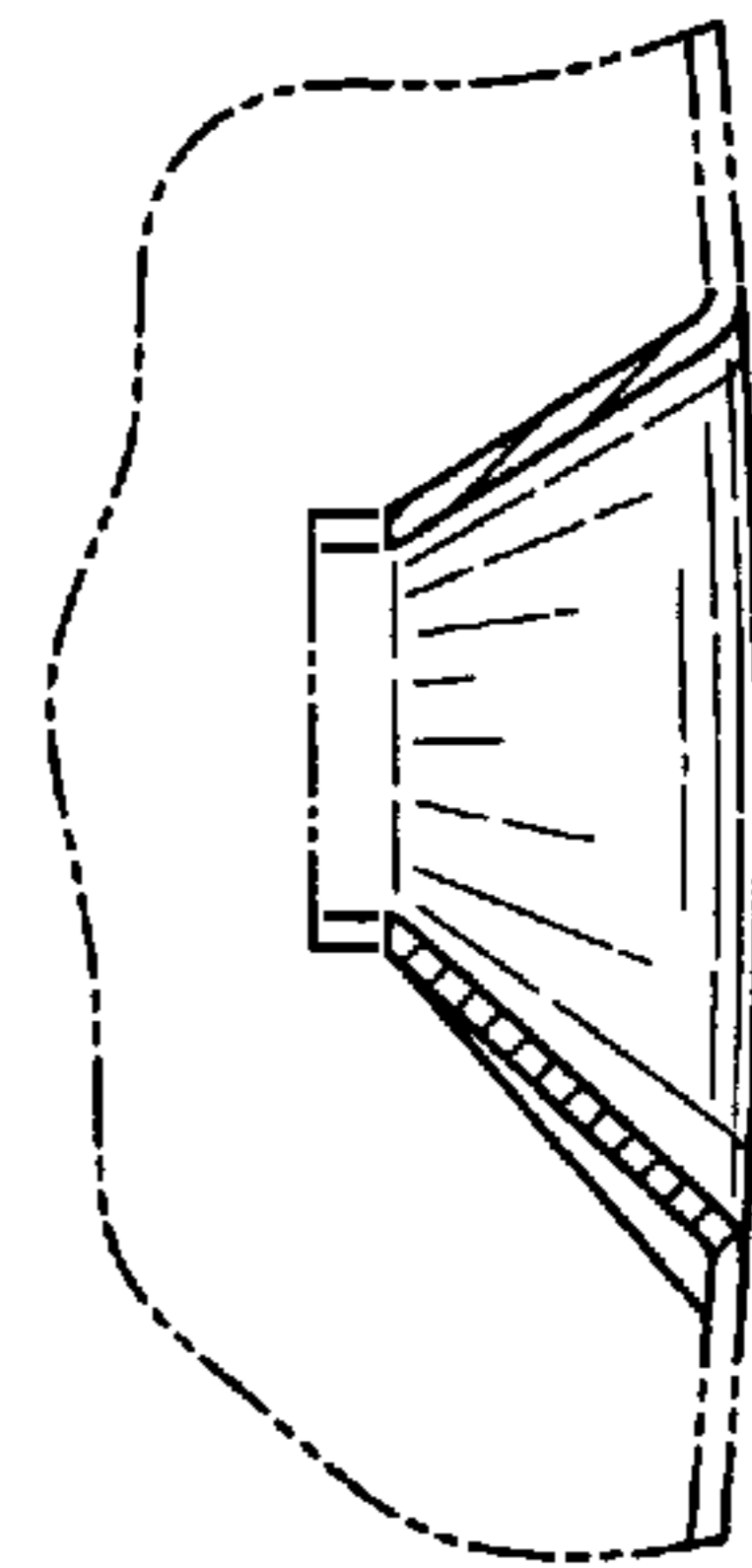


FIG. 8

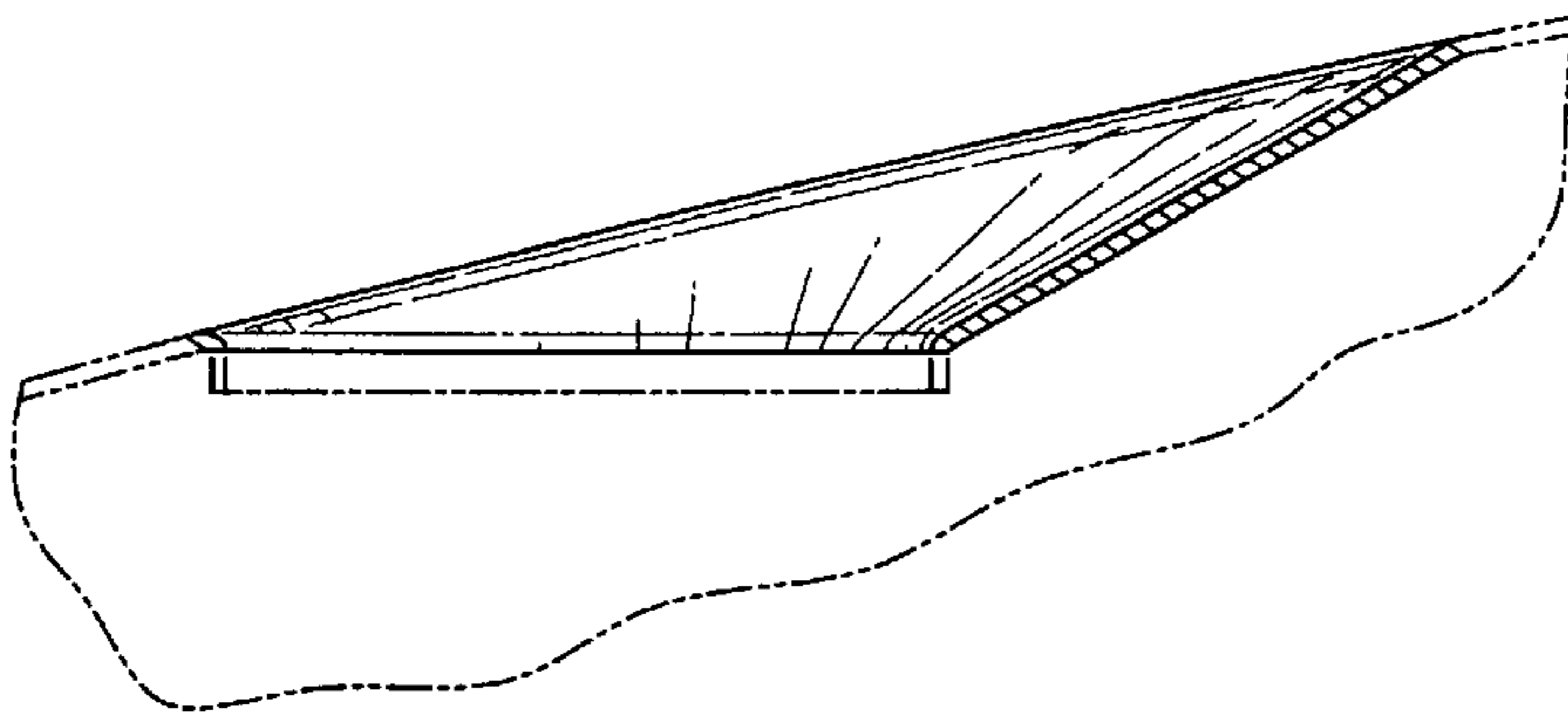


FIG. 7