



US00D481160S

(12) **United States Design Patent**
Hoyle, Jr.

(10) **Patent No.:** **US D481,160 S**

(45) **Date of Patent:** **** *Oct. 21, 2003**

(54) **OBLONG SHAPED LAMP OPENINGS FOR USE IN A VEHICLE BUMPER ASSEMBLY**

D435,314 S * 12/2000 Hoyle, Jr. D26/139
D465,860 S * 11/2002 Huang D26/139
D465,861 S * 11/2002 Huang D26/139

(75) **Inventor:** **Frederick L. Hoyle, Jr.**, 9836 Meadow Wood Dr., Pickerington, OH (US) 43147

* cited by examiner

Primary Examiner—Marcus A. Jackson

(73) **Assignees:** **Frederick L. Hoyle, Jr.**, Pickerington, OH (US); **Superior Production Partnership**, Columbus, OH (US)

(74) *Attorney, Agent, or Firm*—Standley & Gilcrest LLP

(*) **Notice:** This patent is subject to a terminal disclaimer.

(57) **CLAIM**

The ornamental design for oblong shaped lamp openings for use in a vehicle bumper assembly, as shown and described.

(**) **Term:** **14 Years**

DESCRIPTION

(21) **Appl. No.:** **29/170,421**

FIG. 1 is a perspective view of oblong shaped lamp openings for use in a vehicle bumper assembly showing my new design;

(22) **Filed:** **Nov. 6, 2002**

FIG. 2 is a front elevational view thereof;

(51) **LOC (7) Cl.** **26-99**

(52) **U.S. Cl.** **D26/139**

(58) **Field of Search** D26/28-36, 120, D26/139; 362/61, 80, 81, 82, 83, 326, 329-340

FIG. 3 is an enlarged, partial front elevational view of a first embodiment of the oblong shaped lamp openings for use in a vehicle bumper assembly;

FIG. 4 is a first sectional view taken along line 4-4 of FIG. 3;

FIG. 5 is a second sectional view taken along line 5-5 of FIG. 3;

(56) **References Cited**

U.S. PATENT DOCUMENTS

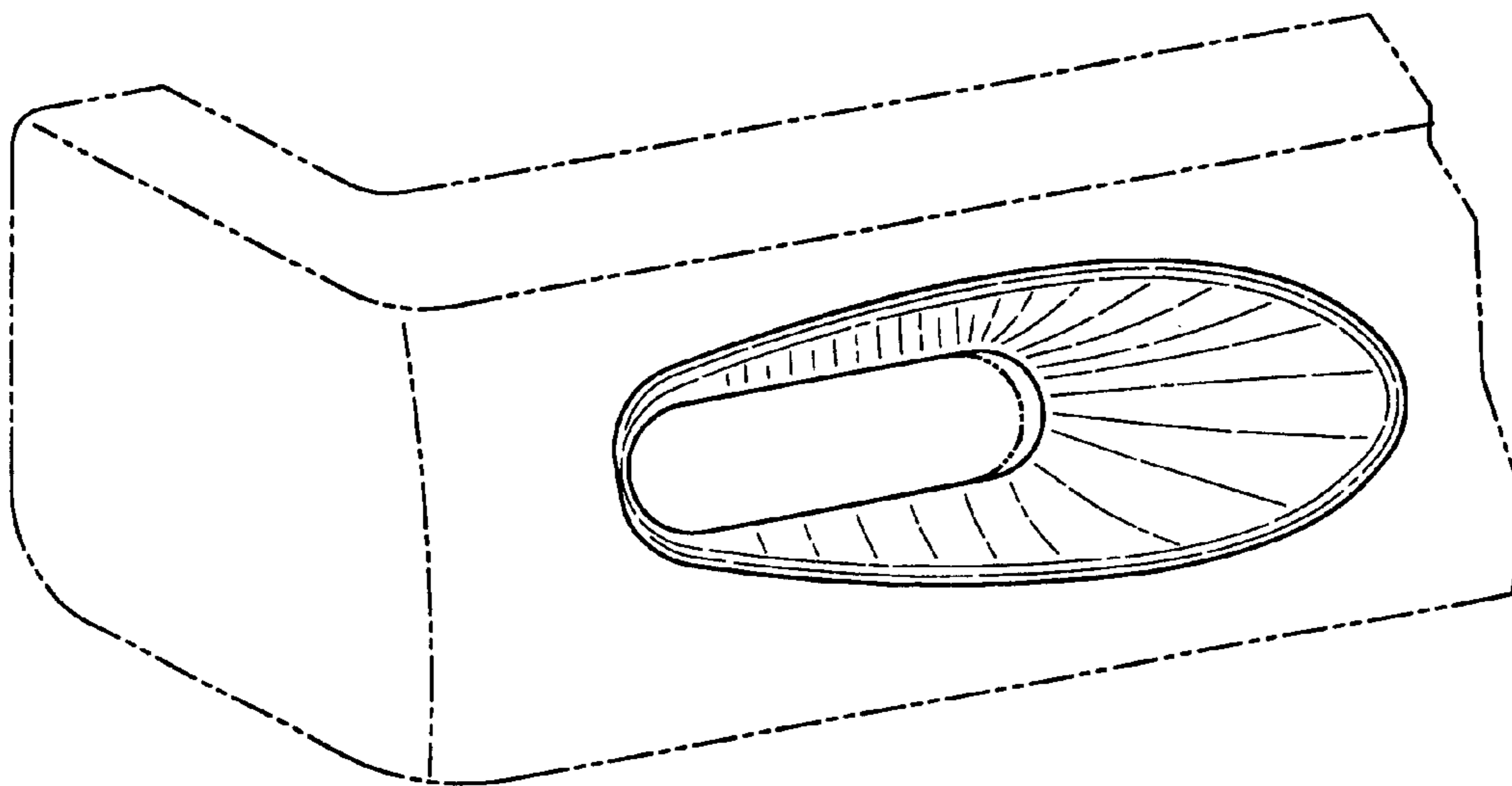
D120,209 S	4/1940	Aché	D12/169
D186,160 S	9/1959	Schemansky	D12/92
D187,368 S	3/1960	MacKichan	D12/92
D228,137 S	8/1973	Hirano	D26/120
D354,363 S	1/1995	Tsai	D26/28
D364,239 S	11/1995	Sacco et al.	D26/28
5,482,336 A	1/1996	Rouse et al.	293/115
D382,659 S	8/1997	Kaloustian	D26/28
D409,126 S	5/1999	Hoyle, Jr.	D12/169
D411,330 S	6/1999	Goebert et al.	D26/139

FIG. 6 is an enlarged, partial front elevational view of a second embodiment of the oblong shaped lamp openings for use in a vehicle bumper assembly;

FIG. 7 is a first sectional view taken along line 7-7 of FIG. 6; and,

FIG. 8 is a second sectional view taken along line 8-8 of FIG. 6. The vehicle bumper is shown in broken lines for illustrative purposes only, and forms no part of the claimed design.

1 Claim, 2 Drawing Sheets



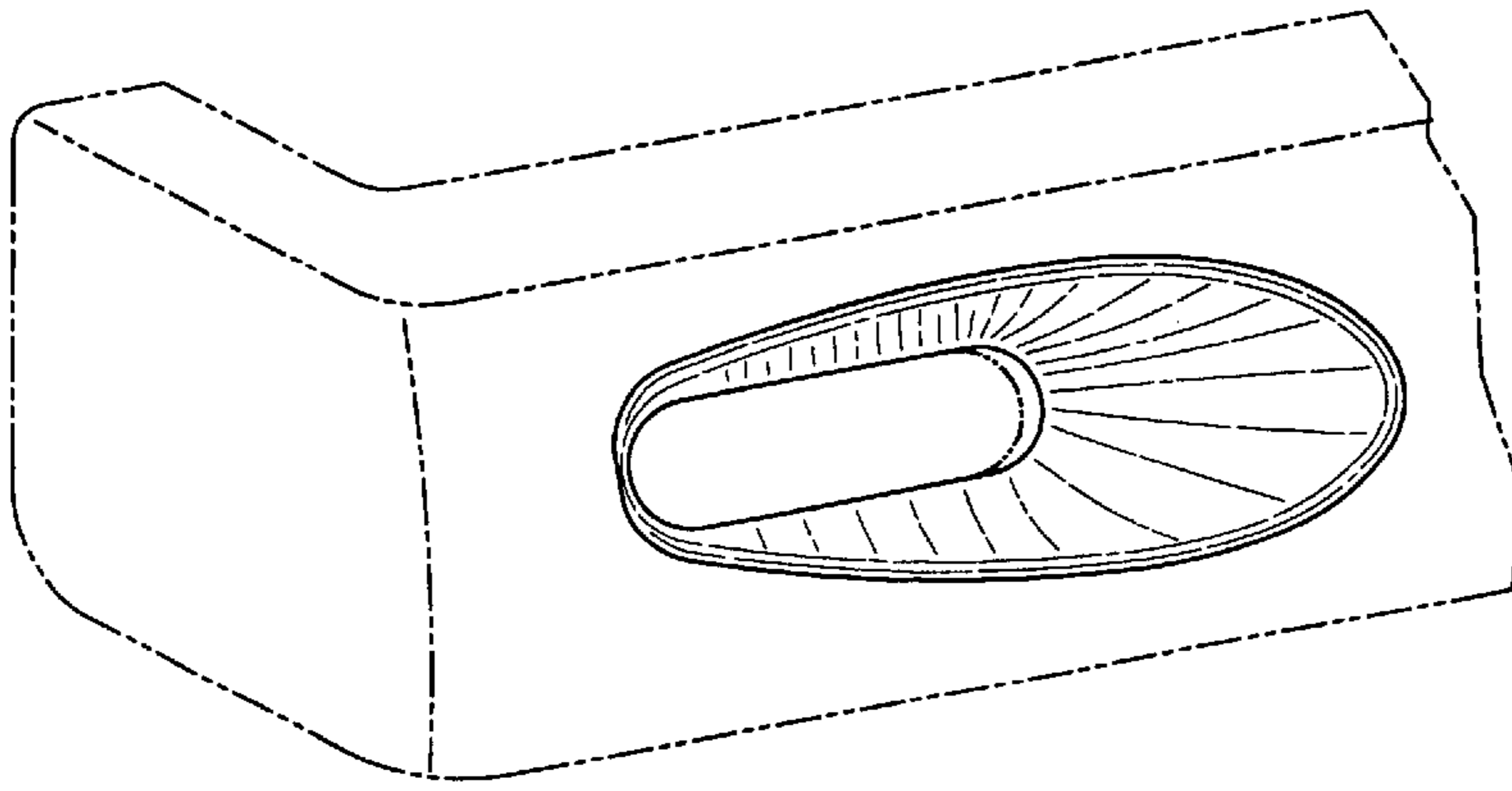


FIG-1

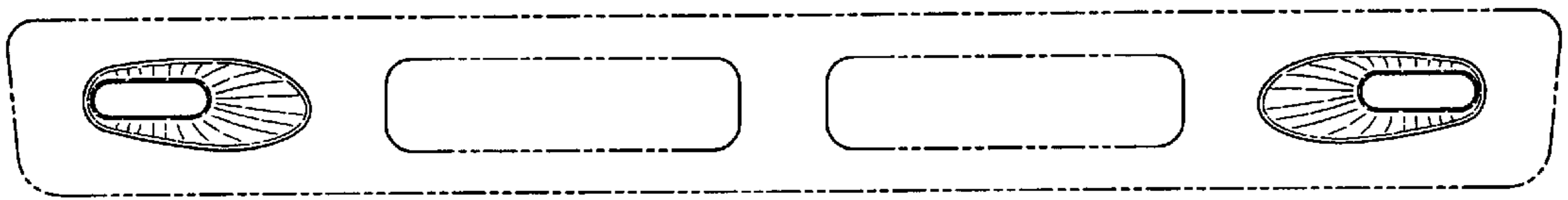


FIG-2

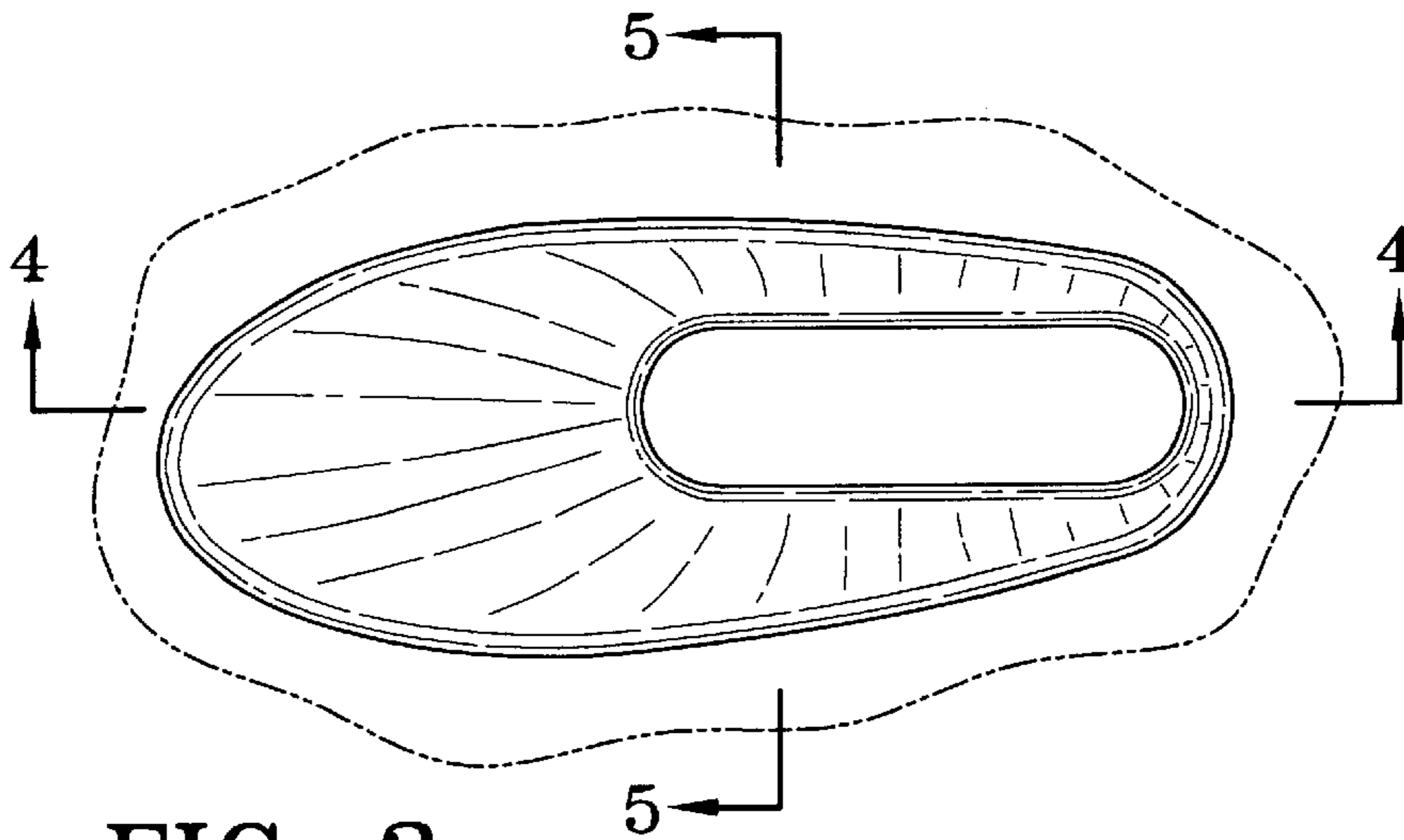


FIG-3

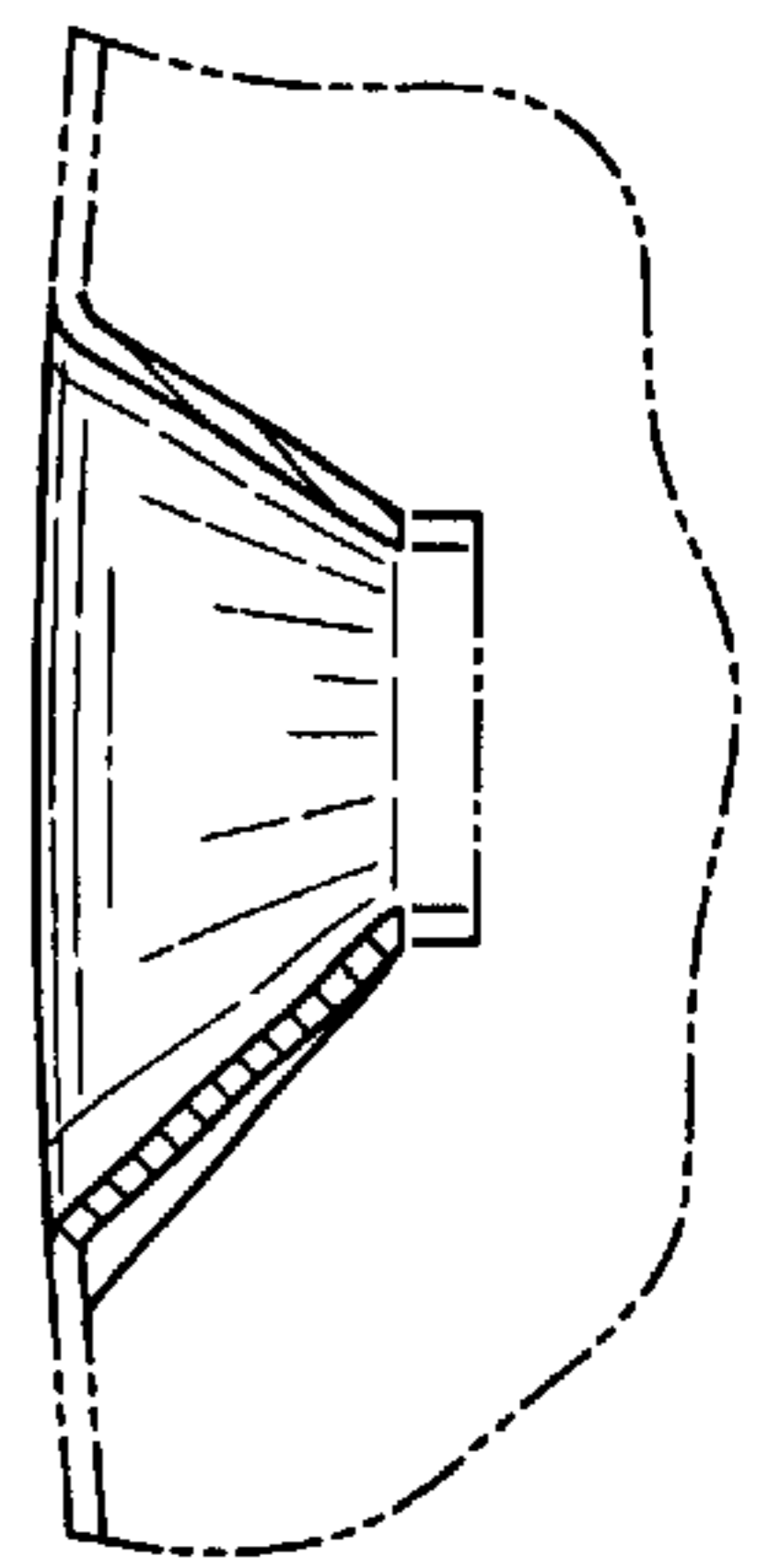


FIG-5

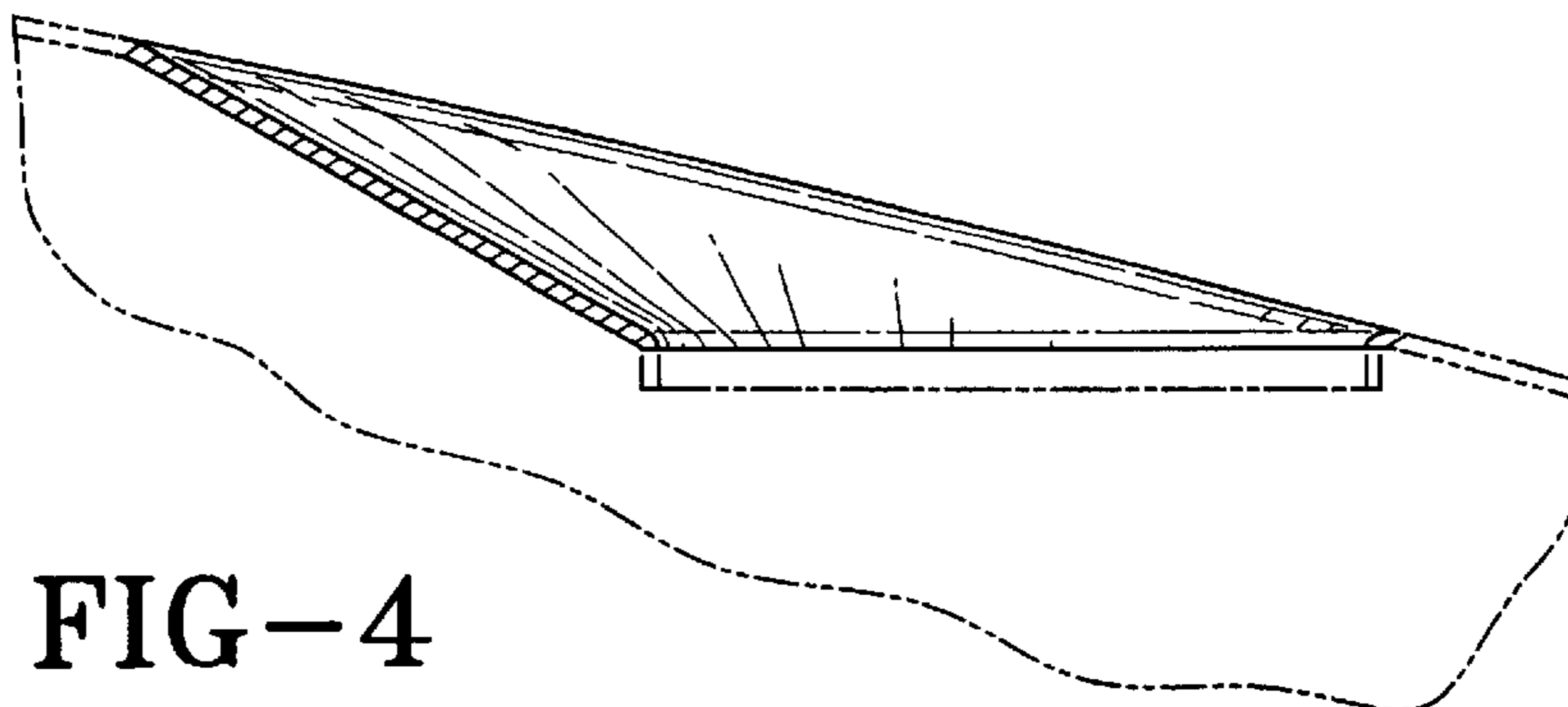


FIG-4

