



US00D481159S

(12) **United States Design Patent**  
**Walker**

(10) **Patent No.:** **US D481,159 S**

(45) **Date of Patent:** **\*\* Oct. 21, 2003**

(54) **LUMINAIRE BRACKET**

D421,663 S \* 3/2000 Von Kluck ..... D26/14  
D445,940 S \* 7/2001 Davis, Jr. .... D26/81

(75) Inventor: **Patrick R. Walker**, Pataskala, OH (US)

\* cited by examiner

(73) Assignee: **Acuity Brands, Inc.**, Atlanta, GA (US)

*Primary Examiner*—Pamela Burgess

(\*\*) Term: **14 Years**

(74) *Attorney, Agent, or Firm*—Kenneth E. Darnell

(21) Appl. No.: **29/169,447**

(57) **CLAIM**

(22) Filed: **Oct. 18, 2002**

The ornamental design for a luminaire bracket, as shown and described.

(51) **LOC (7) Cl.** ..... **26-99**

**DESCRIPTION**

(52) **U.S. Cl.** ..... **D26/138; D26/144; D8/373**

(58) **Field of Search** ..... D8/373; D6/556;  
D26/72, 80-90, 138, 144, 147, 149, 142,  
143; 362/147, 404-409; 248/317-318, 343,  
342, 906, 344

FIG. 1 is a bottom perspective view of a luminaire bracket showing my new design;  
FIG. 2 is a top perspective view thereof;  
FIG. 3 is a first side elevational view thereof;  
FIG. 4 is a second side elevational view seen rotated 45° from the first elevational view of FIG. 3;  
FIG. 5 is a top plan view thereof; and,  
FIG. 6 is a bottom view thereof.

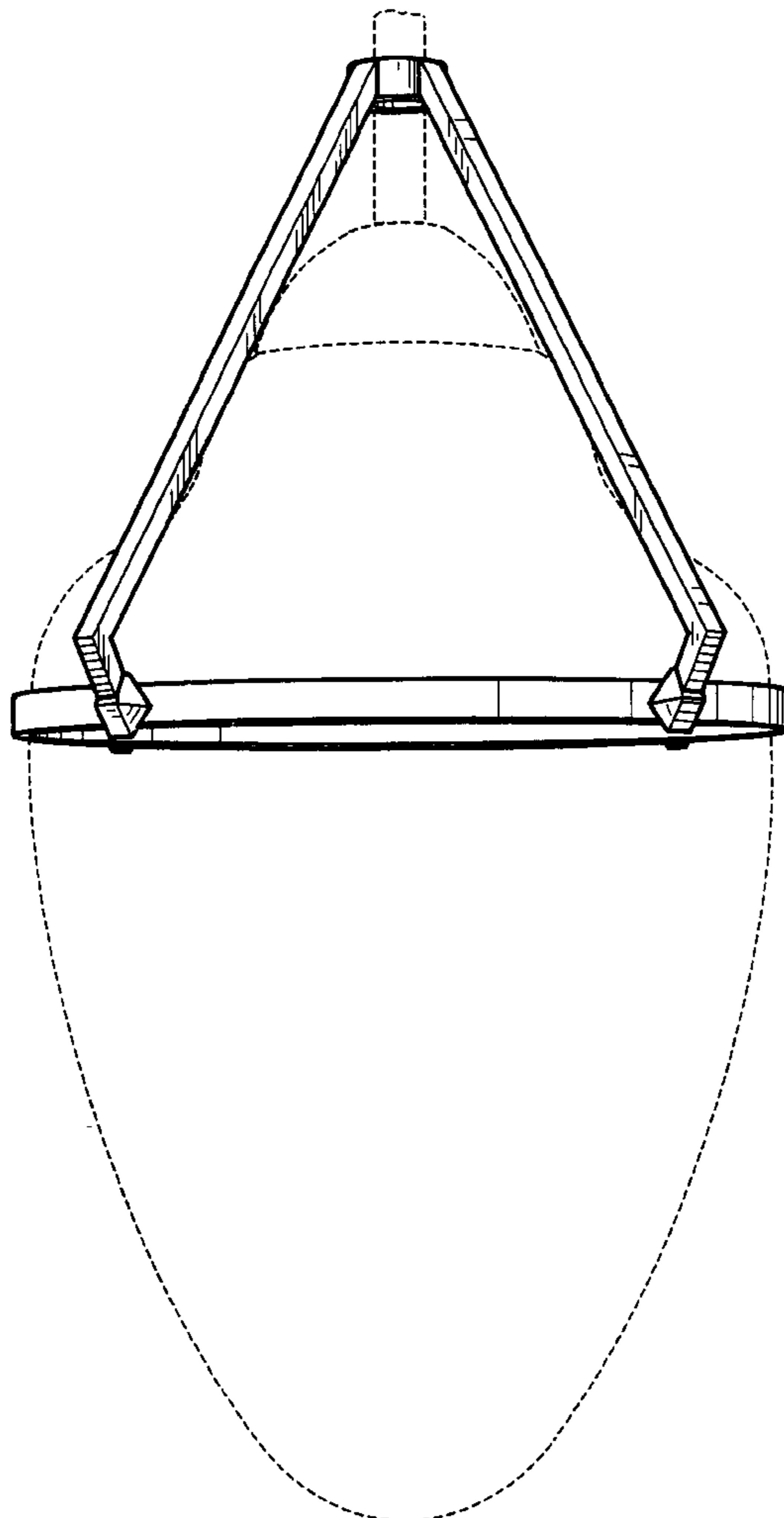
(56) **References Cited**

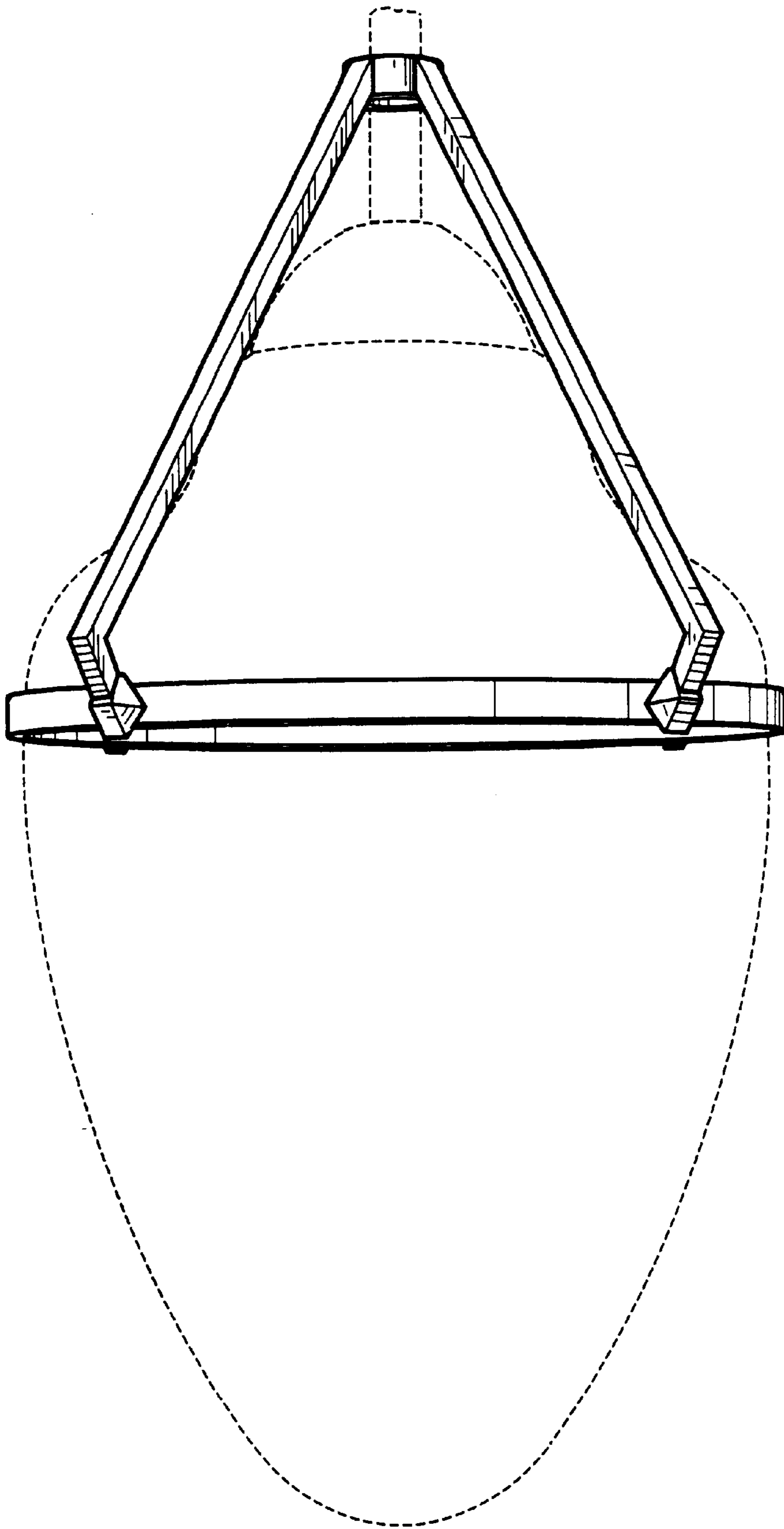
**U.S. PATENT DOCUMENTS**

D70,159 S \* 5/1926 Crumley ..... D26/144  
D311,679 S \* 10/1990 Morris ..... D8/373  
D391,011 S \* 2/1998 Kluck ..... D26/142

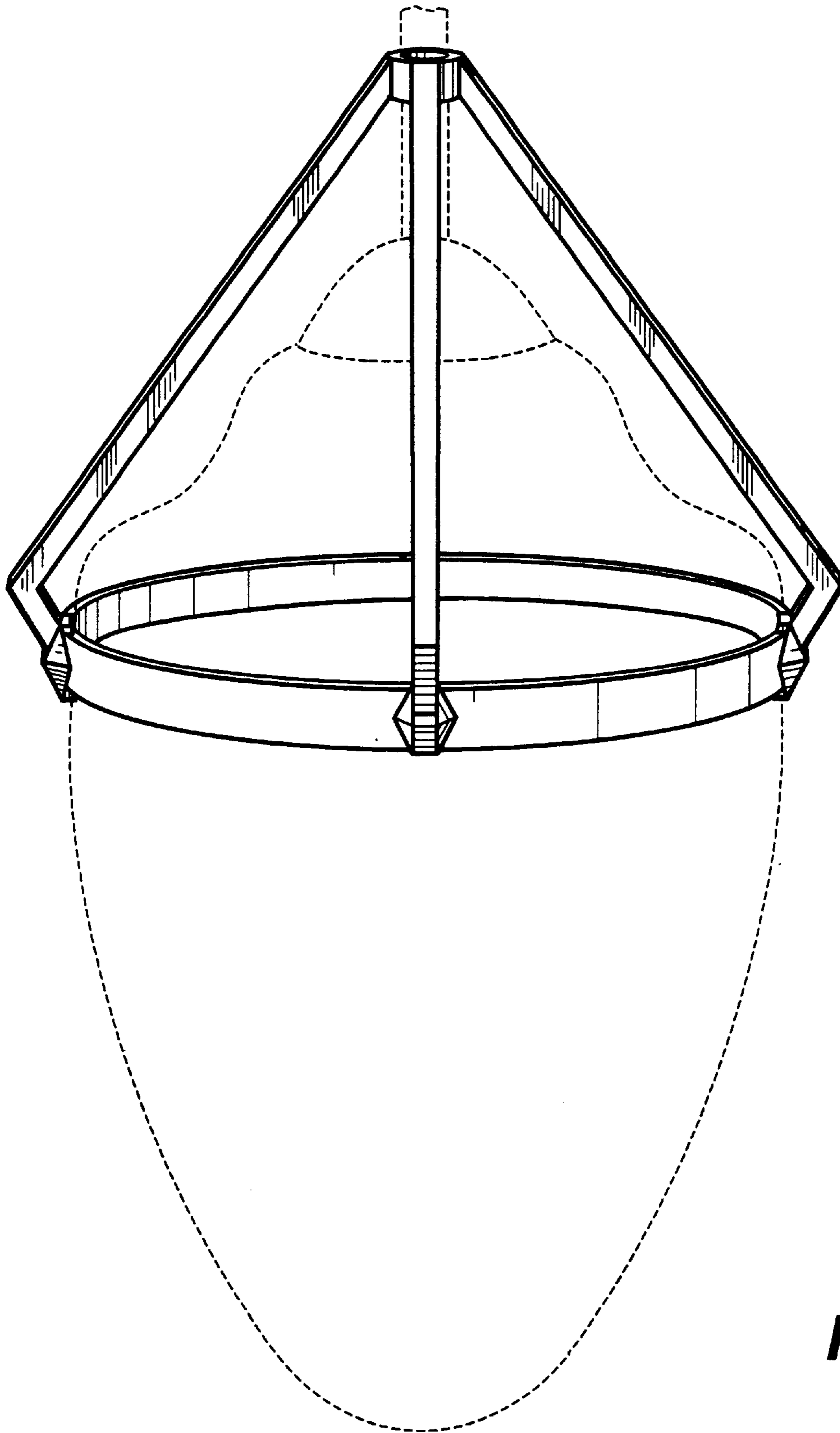
The broken lines shown in the drawings are for illustrative purposes only and form no part of the claimed design.

**1 Claim, 4 Drawing Sheets**

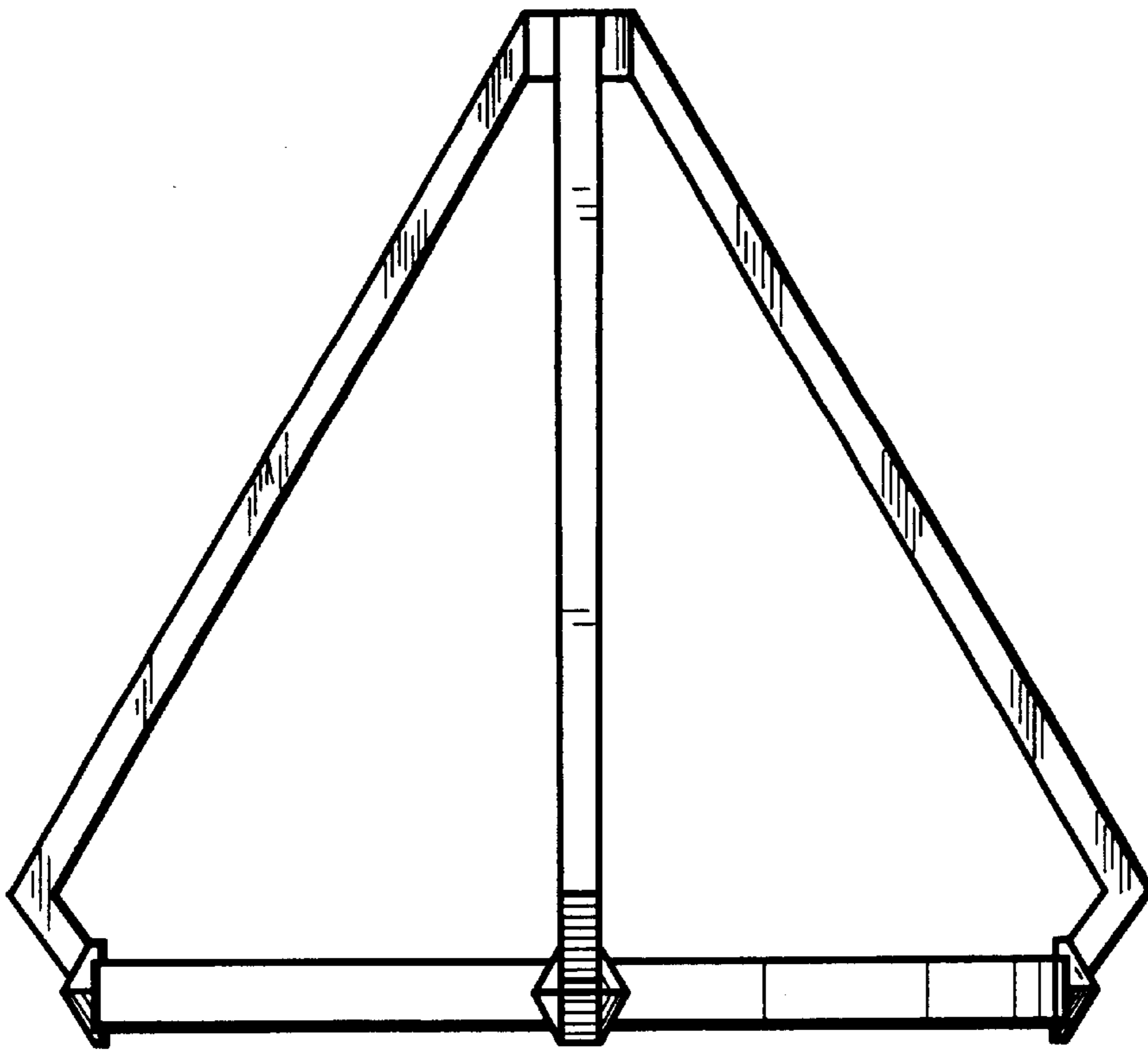




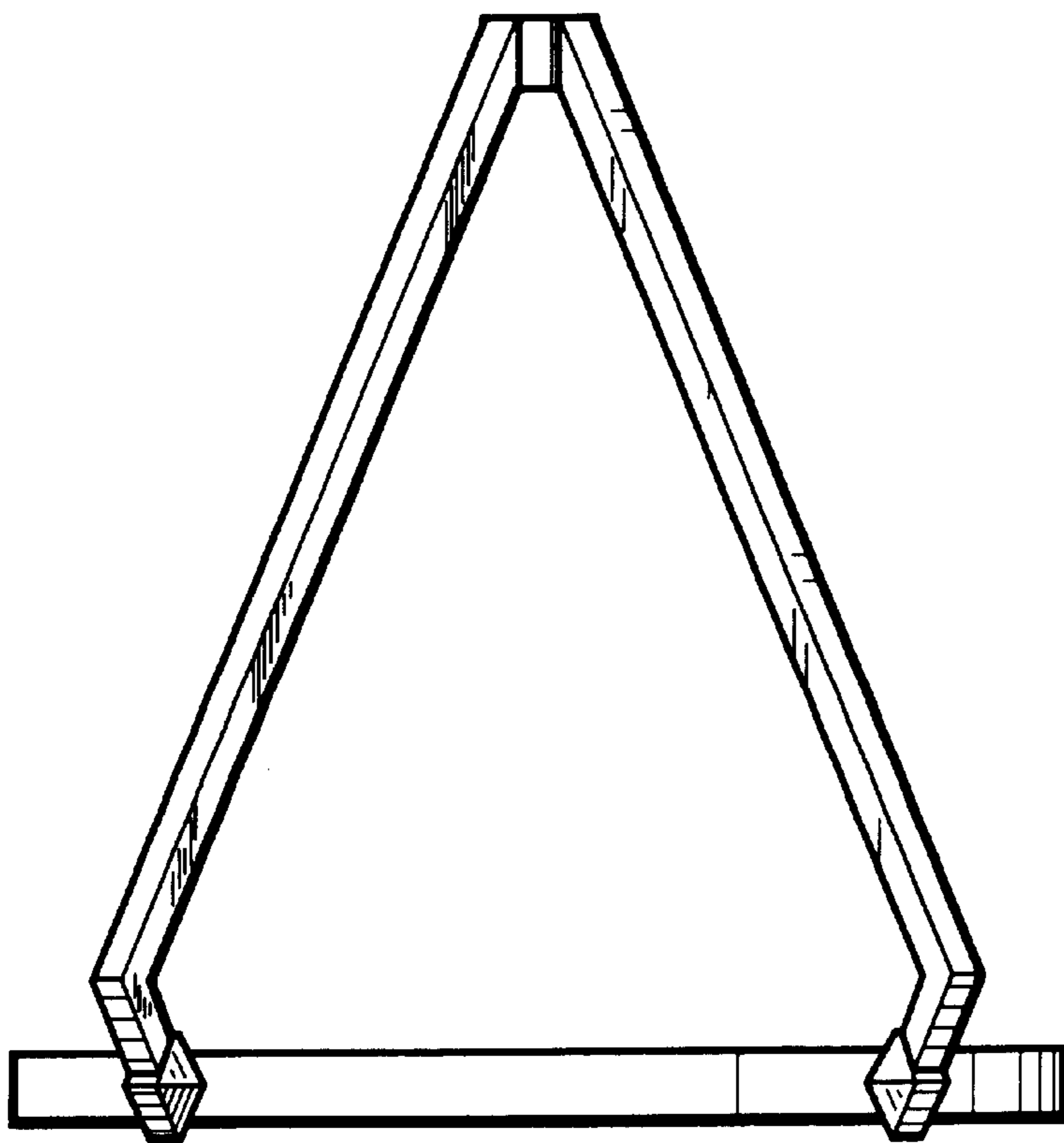
**Fig. 1**



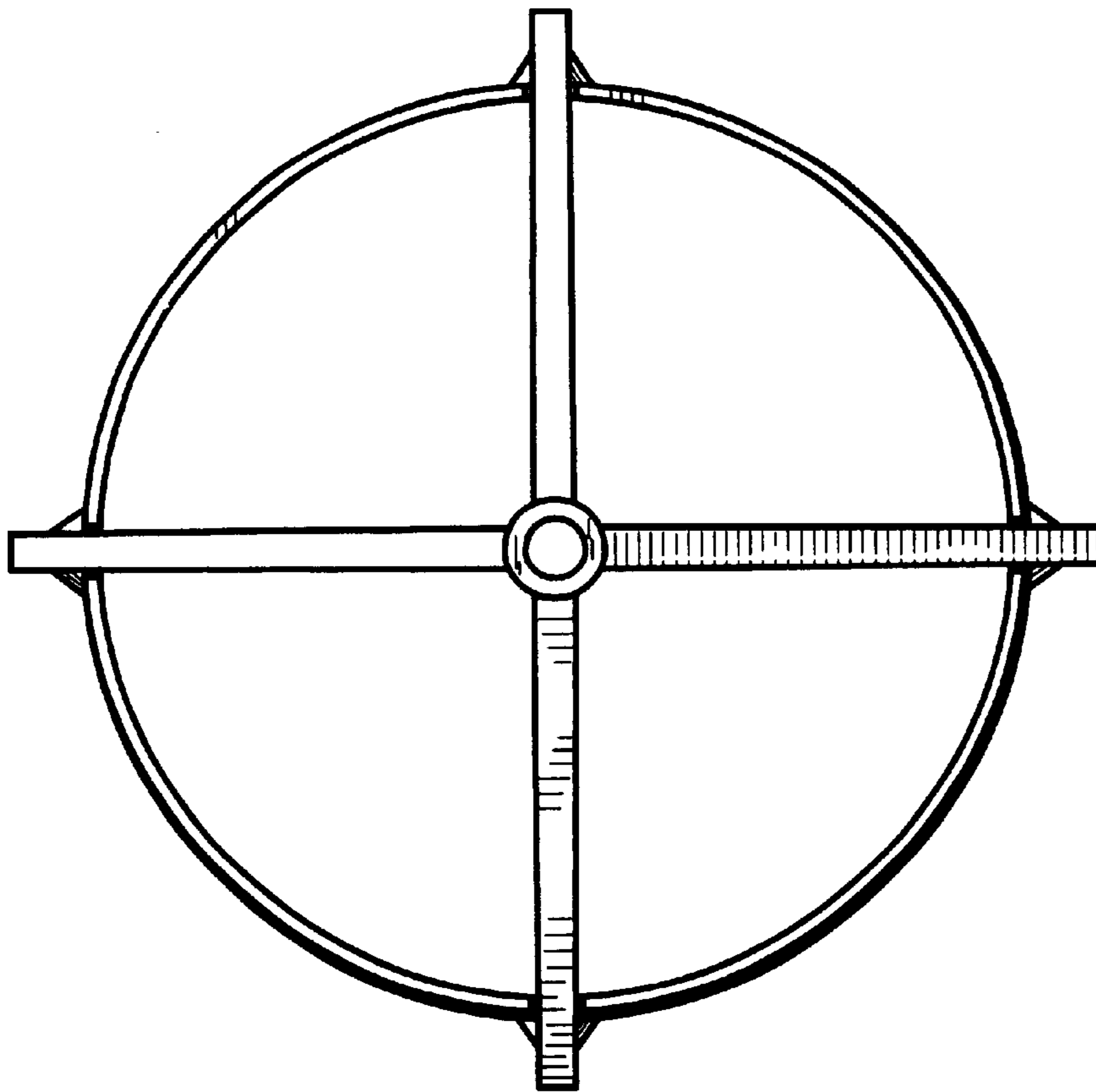
**Fig. 2**



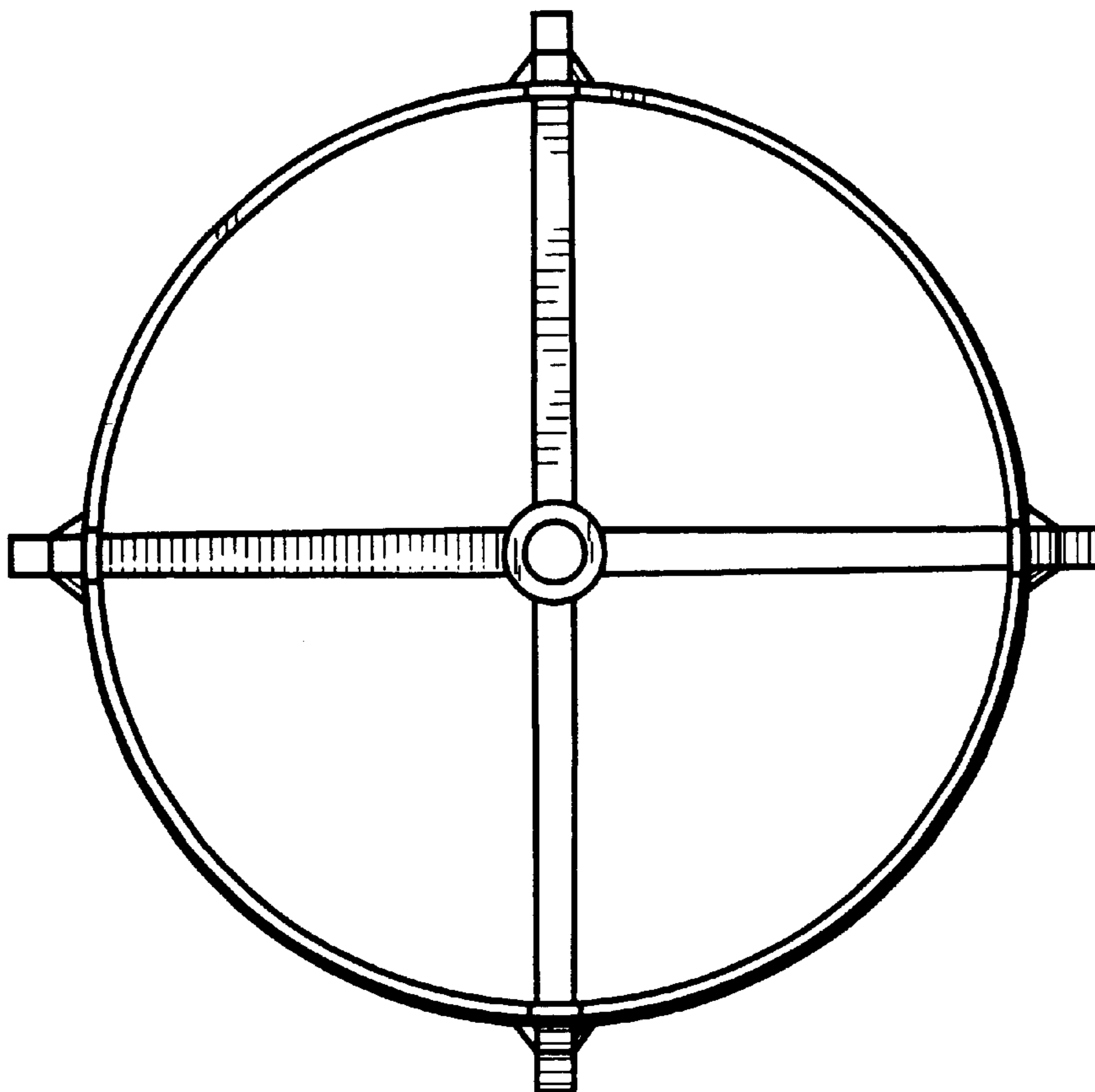
***Fig. 3***



***Fig. 4***



**Fig. 5**



**Fig. 6**