



US00D481156S

(12) **United States Design Patent**
Packer et al.

(10) **Patent No.:** **US D481,156 S**

(45) **Date of Patent:** **** Oct. 21, 2003**

(54) **SUSPENDED LUMINAIRE**

(75) Inventors: **Michael Packer**, Grandview Heights, OH (US); **Jeffrey D. McClow**, Newark, OH (US); **James M. Pacocha**, Westerville, OH (US)

(73) Assignee: **Acuity Brands, Inc.**, Atlanta, GA (US)

(**) Term: **14 Years**

(21) Appl. No.: **29/169,359**

(22) Filed: **Oct. 18, 2002**

(51) **LOC (7) Cl.** **26-99**

(52) **U.S. Cl.** **D26/128**

(58) **Field of Search** D26/113, 118-137;
362/311, 351, 355, 356, 359, 362, 360,
363

(56) **References Cited**

U.S. PATENT DOCUMENTS

D50,208 S	*	1/1917	Peck	D26/131
D76,846 S	*	11/1928	Arthur	D26/131
D101,557 S	*	10/1936	Rolph	D26/133
3,350,557 A	*	10/1967	Szymanski	362/355
D461,267 S	*	8/2002	Arumugasaamy	D26/85

OTHER PUBLICATIONS

Sphere Globe. Taiwan Lighting, Feb. 2001.*

* cited by examiner

Primary Examiner—Jennifer Rivard

(74) *Attorney, Agent, or Firm*—Kenneth E. Darnell

(57) **CLAIM**

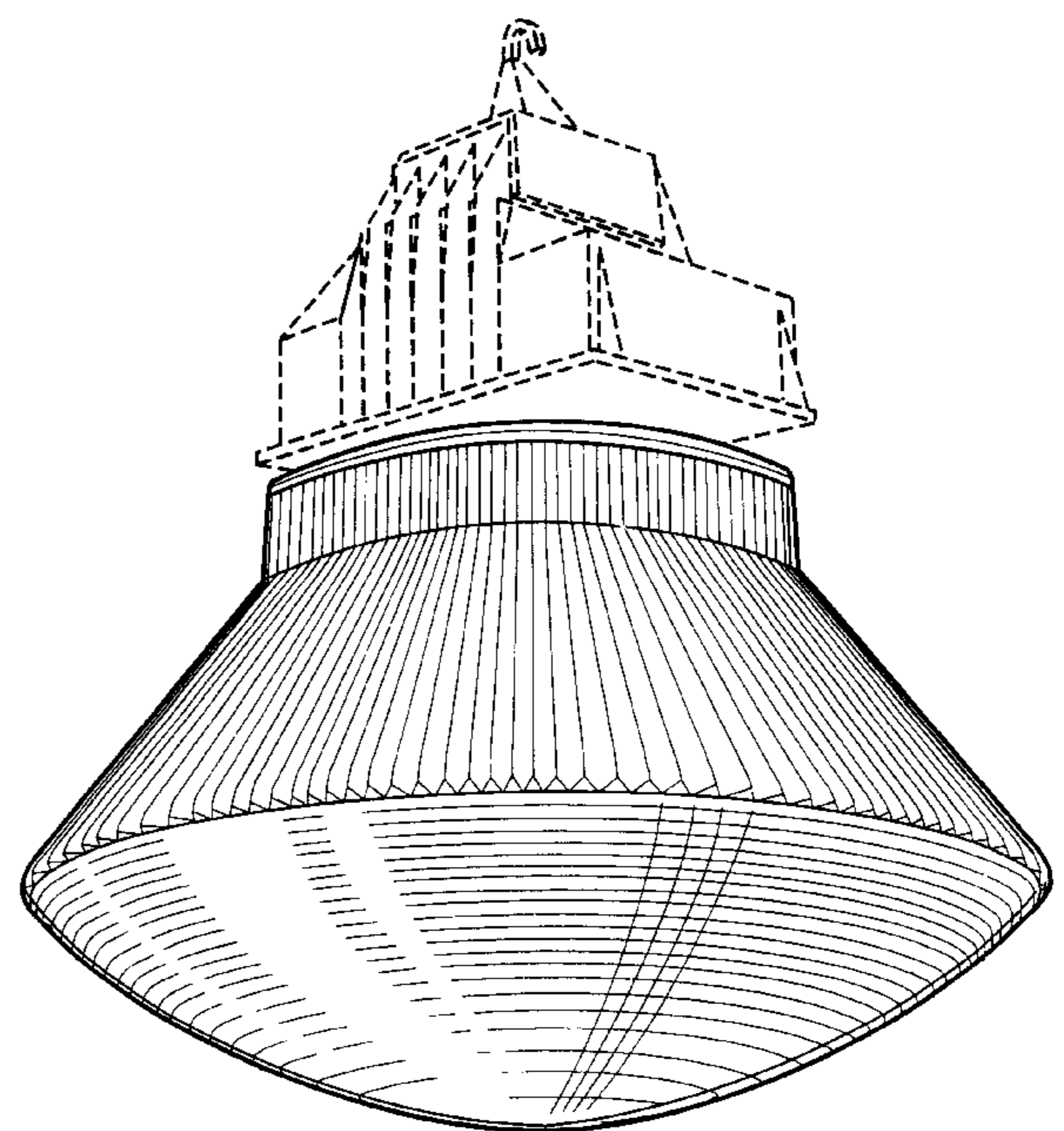
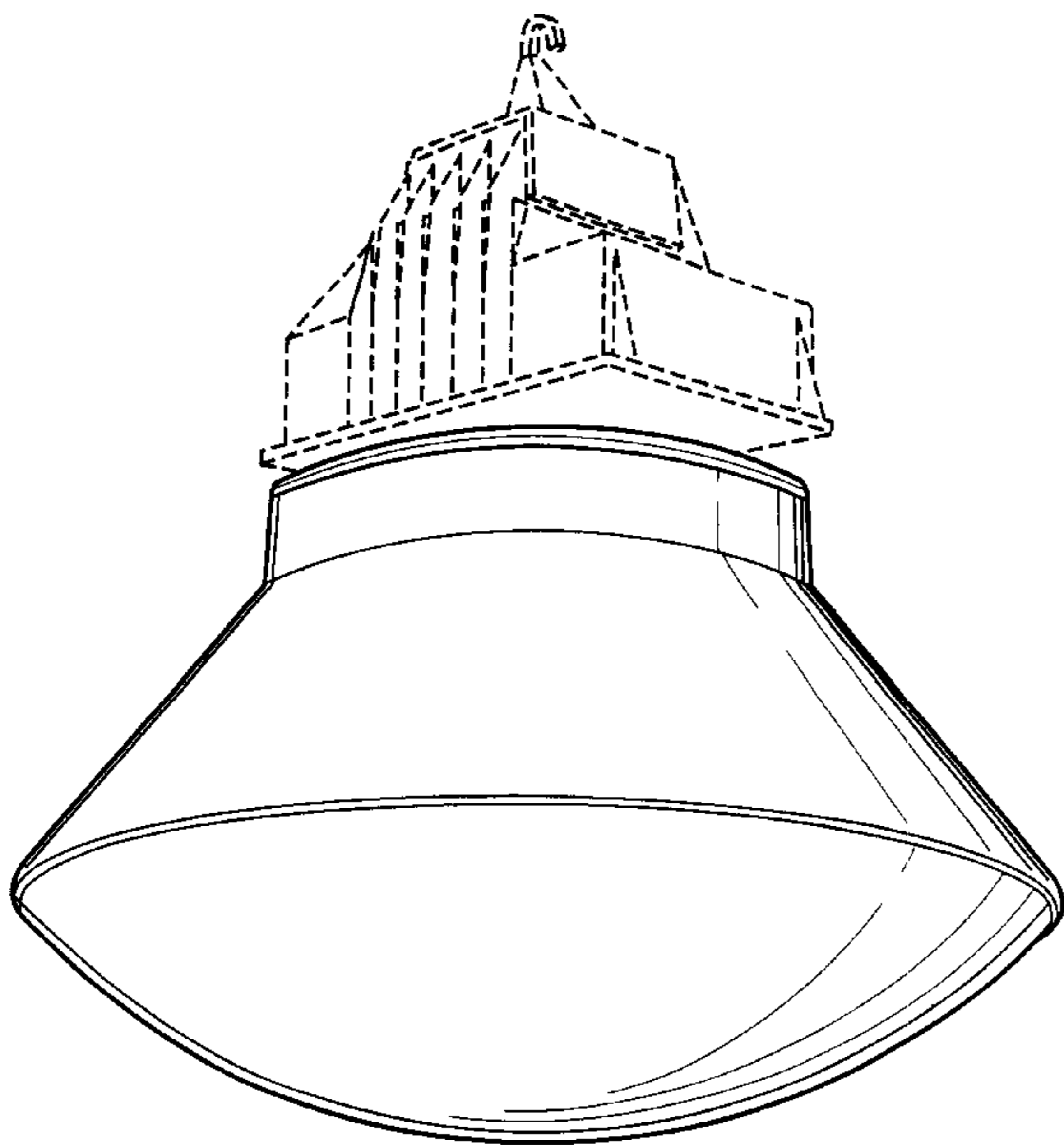
The ornamental design for a suspended luminaire, as shown and described.

DESCRIPTION

FIG. 1 is a perspective view of a first embodiment of the luminaire showing the new design; FIG. 2 is an elevational view thereof; FIG. 3 is a bottom view thereof; FIG. 4 is a top plan view thereof; FIG. 5 is a perspective view of a second embodiment of a luminaire showing the new design; FIG. 6 is an elevational view thereof; FIG. 7 is a bottom view thereof; and, FIG. 8 is a top plan view thereof.

The broken line environmental showing is for illustrative purposes only and forms no part of the claimed design.

1 Claim, 6 Drawing Sheets



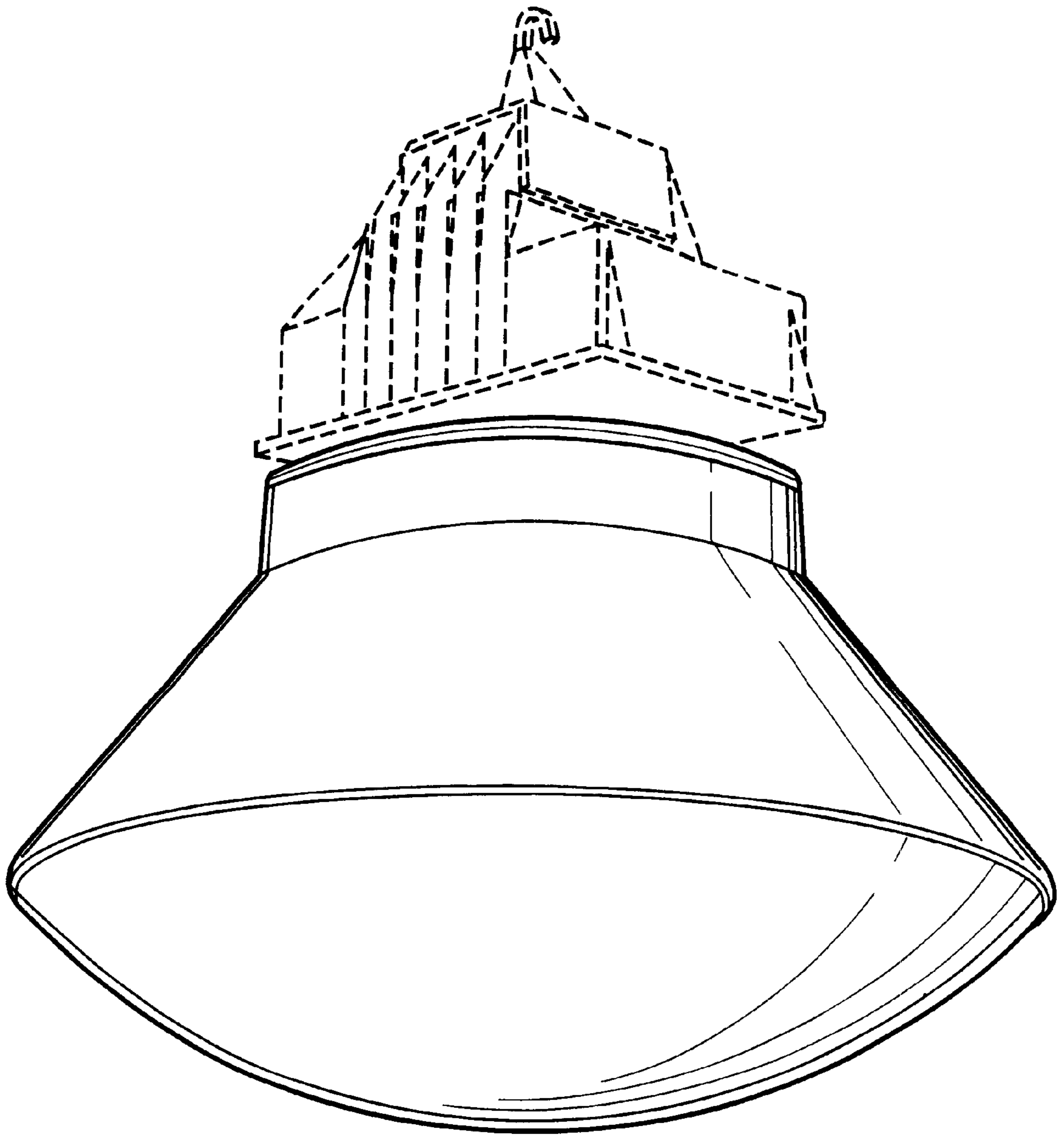


Fig. 1

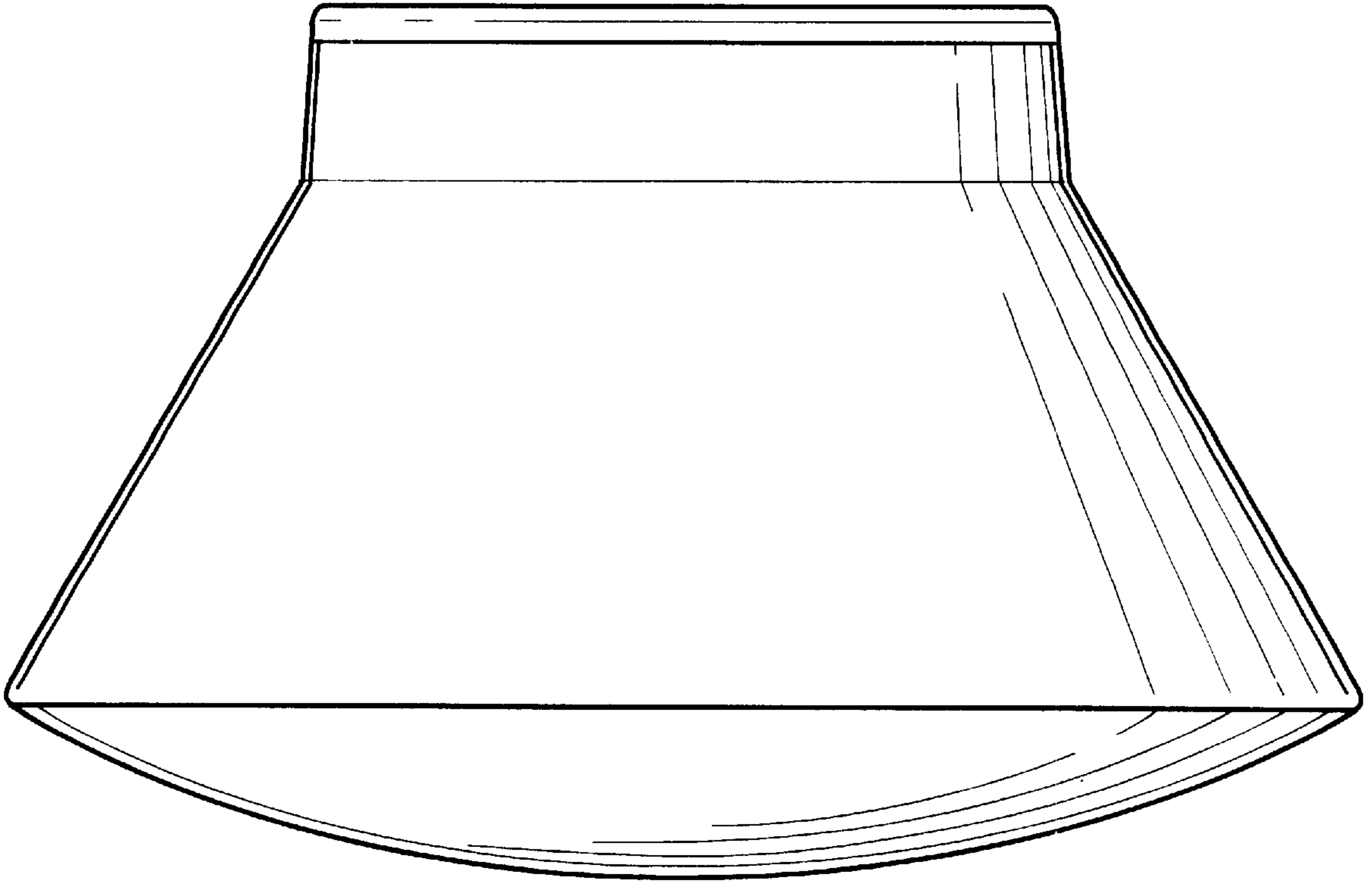


Fig. 2

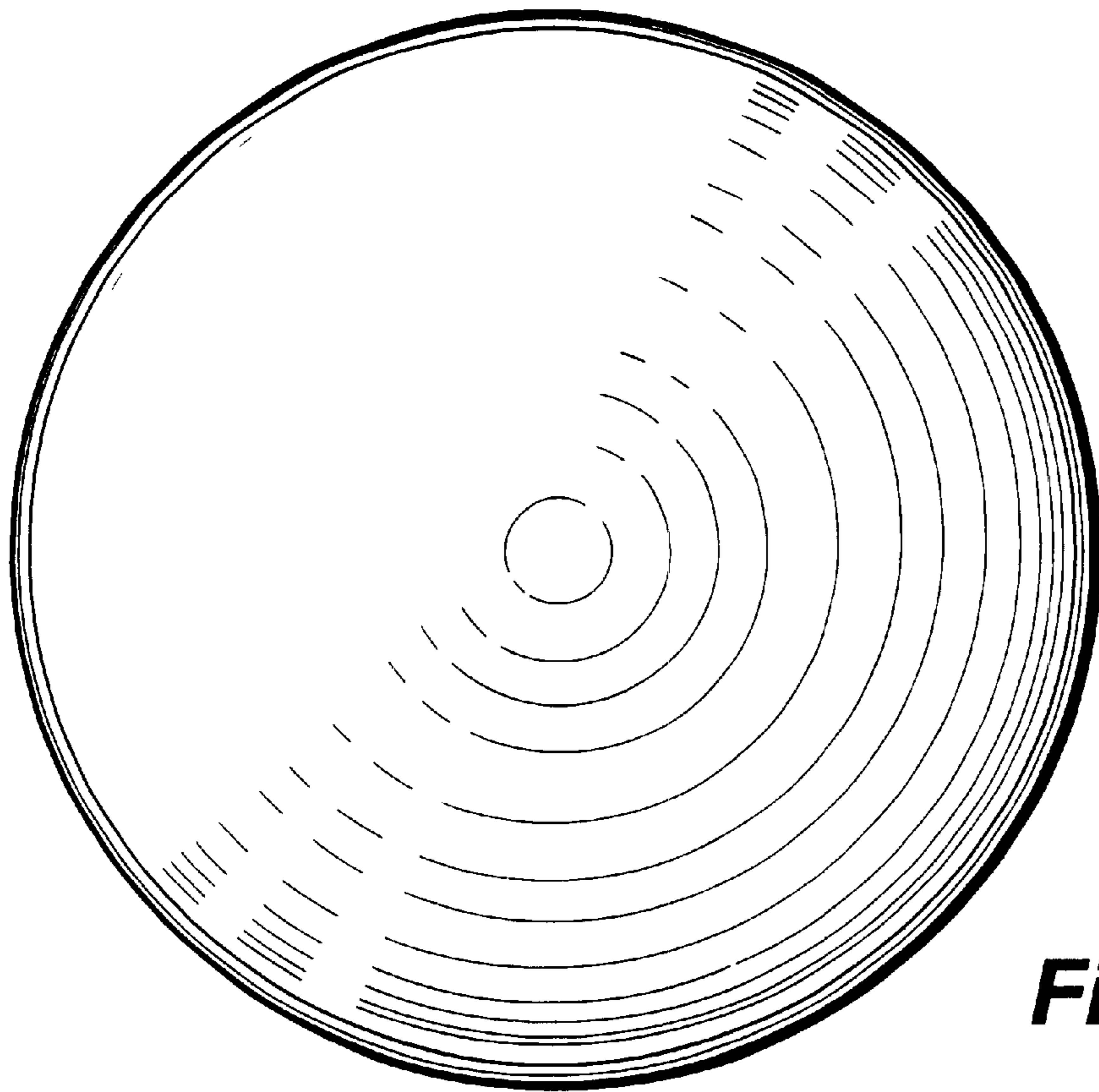


Fig. 3

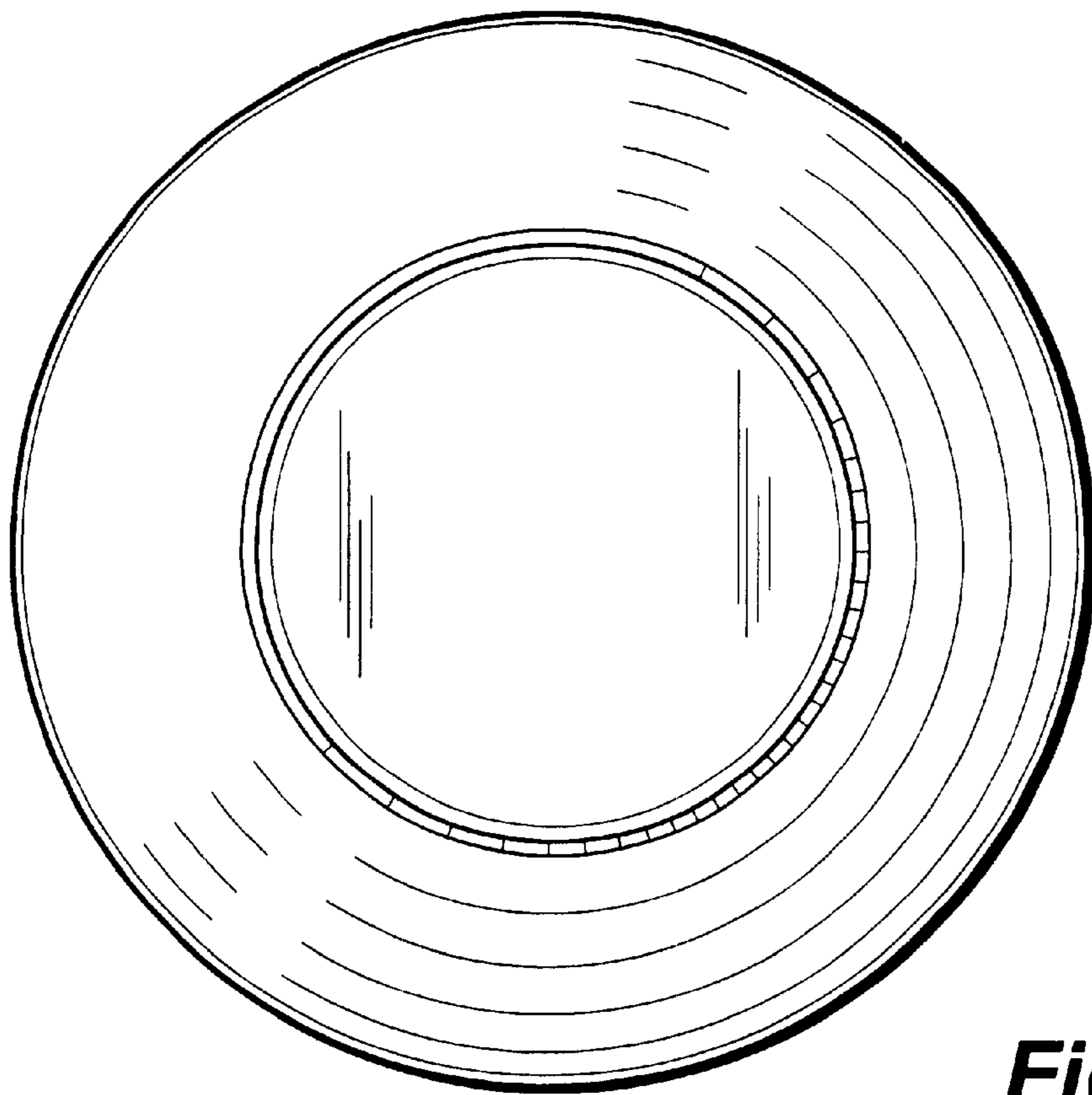


Fig. 4

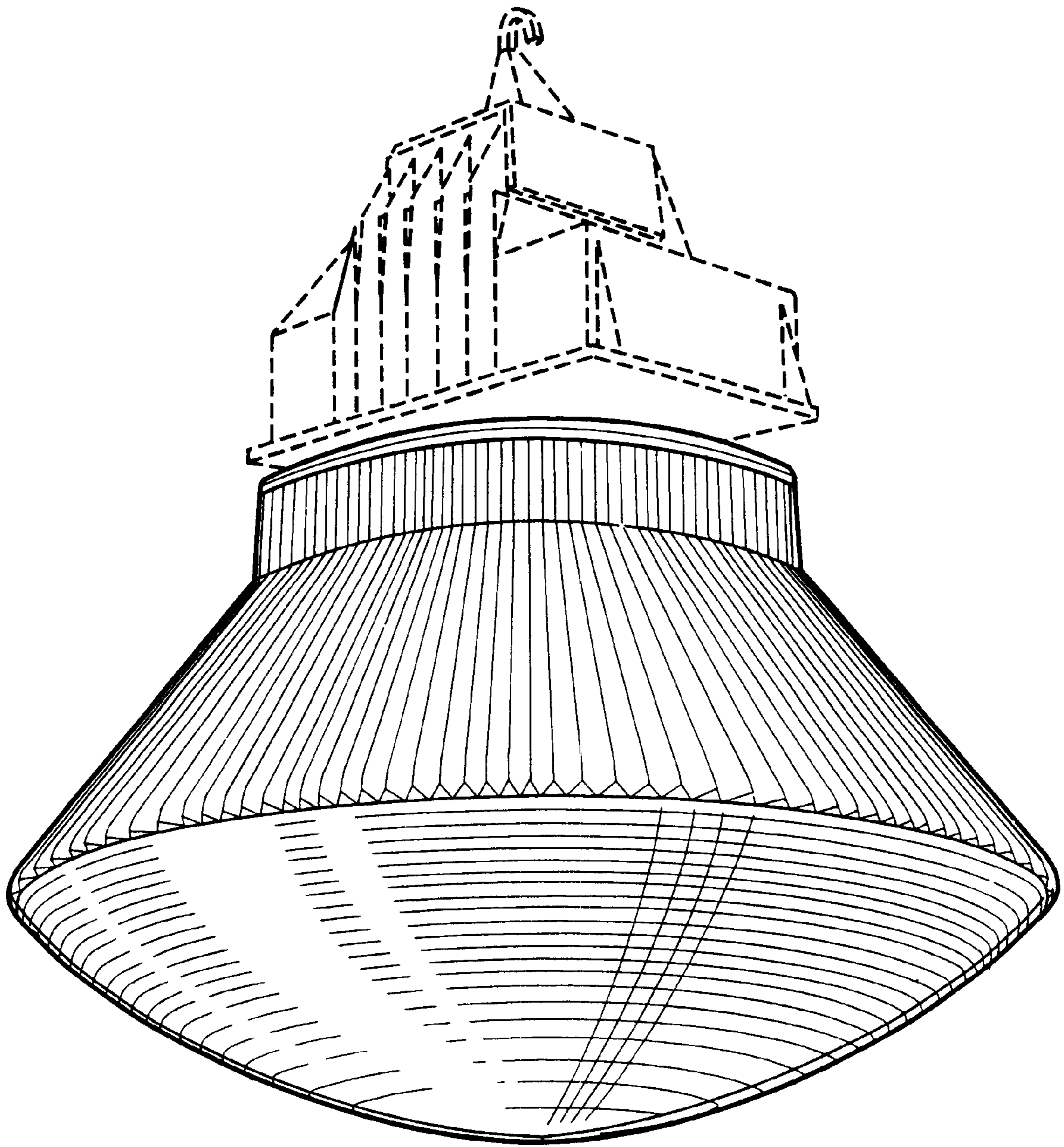


Fig. 5

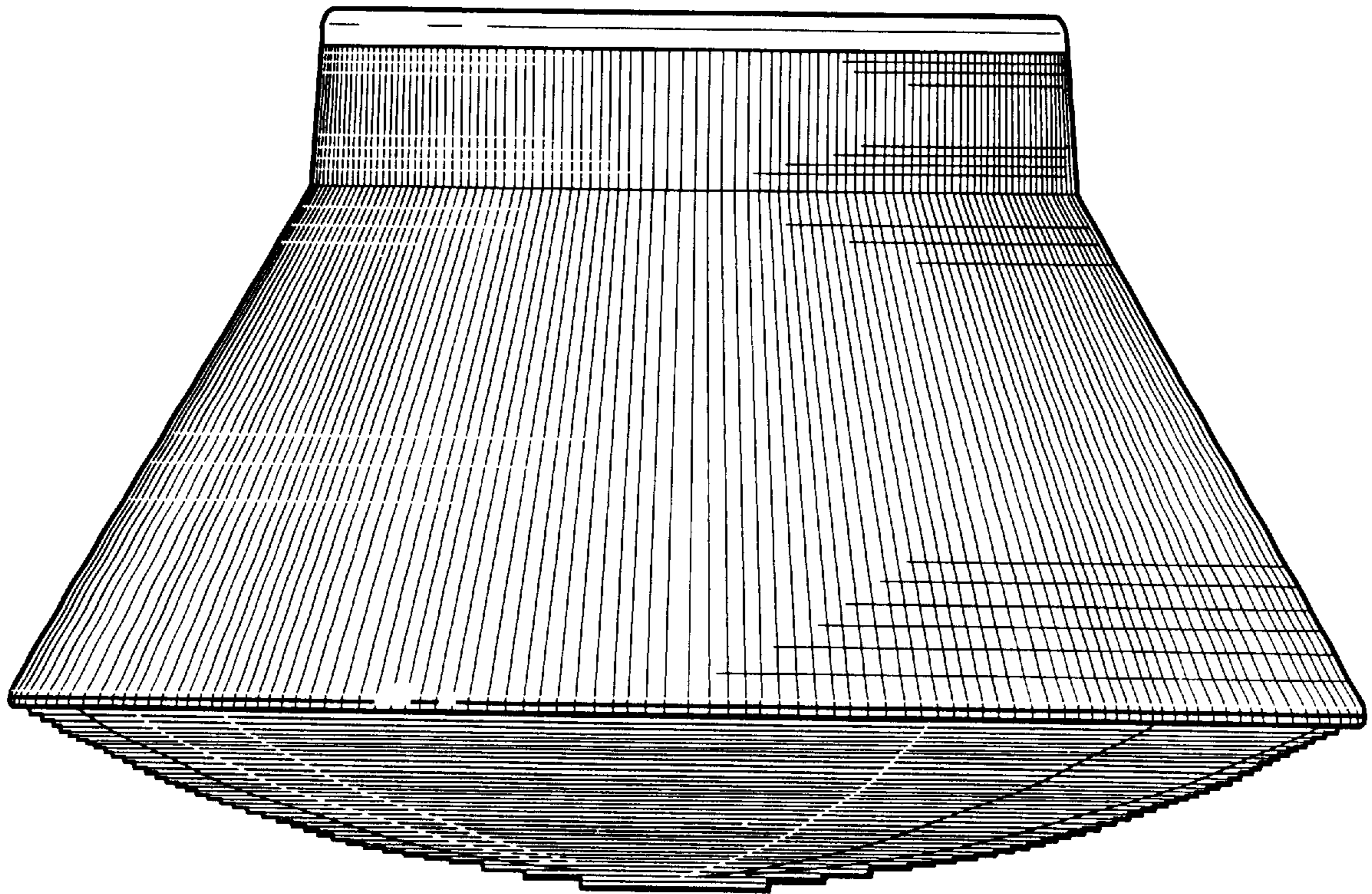


Fig. 6

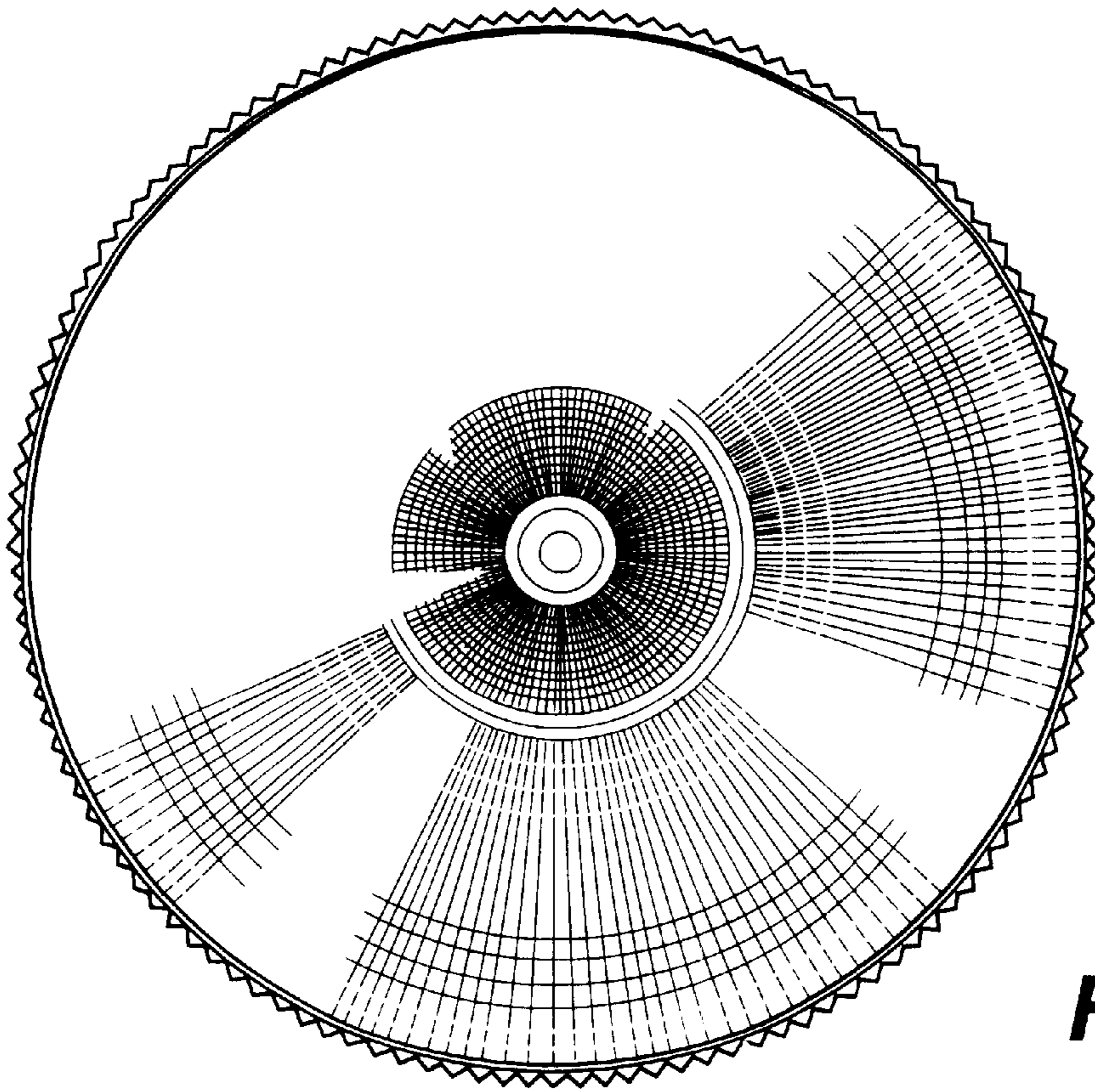


Fig. 7

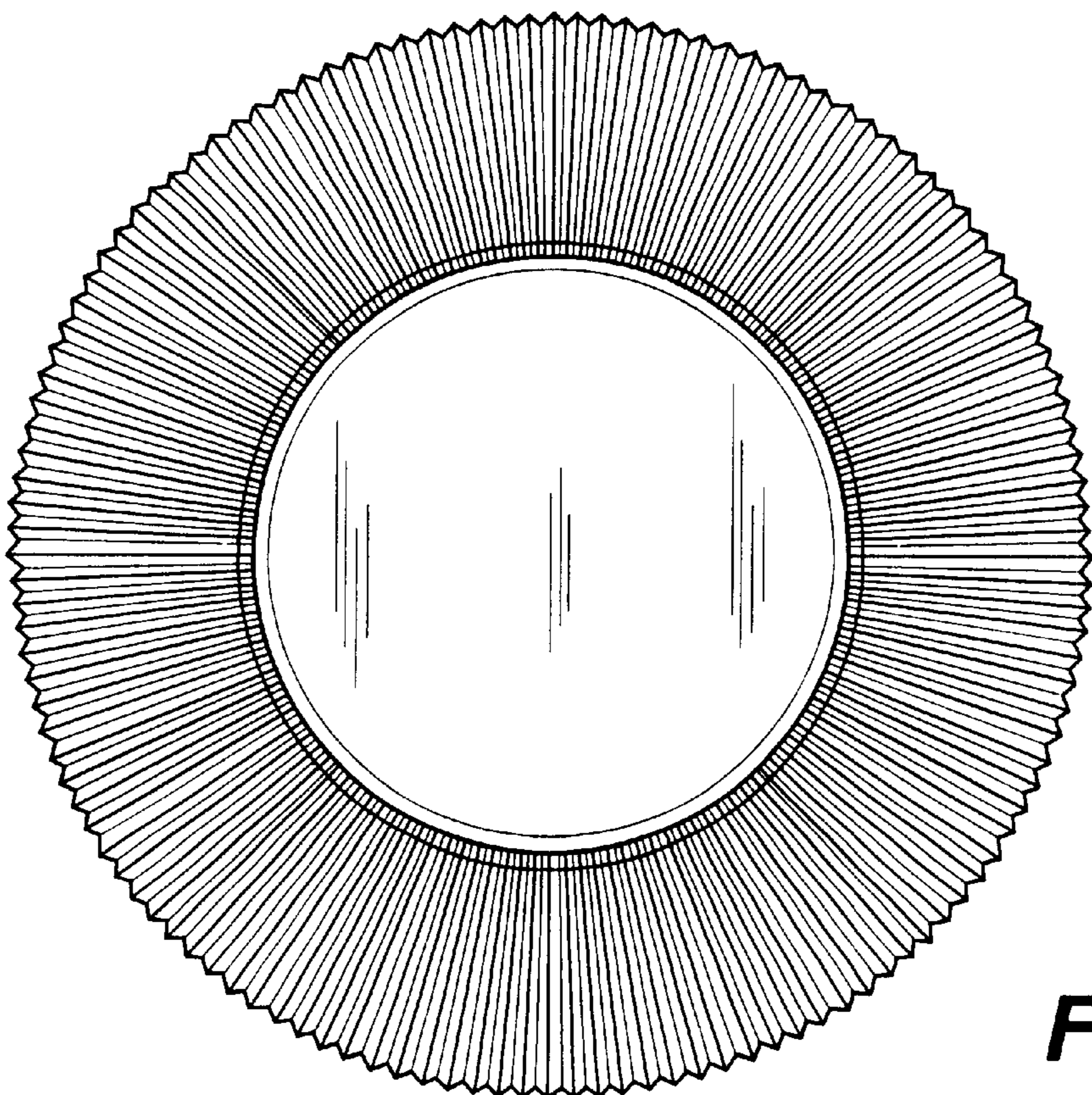


Fig. 8