



US00D481153S

(12) **United States Design Patent**
Wilson

(10) **Patent No.:** **US D481,153 S**

(45) **Date of Patent:** **** Oct. 21, 2003**

(54) **FIRE TRUCK LAMP**

(76) **Inventor:** **Paul Douglas Wilson**, c/o Design Transformations, Inc., 4130 Linden Ave., Dayton, OH (US) 45420

(**) **Term:** **14 Years**

(21) **Appl. No.:** **29/166,110**

(22) **Filed:** **Aug. 22, 2002**

(51) **LOC (7) Cl.** **26-03**

(52) **U.S. Cl.** **D26/97**

(58) **Field of Search** D26/93-112, 118, D26/123, 124, 128-137; D12/13; D21/555; 280/4, 6.153; 182/66.1; 169/24; 362/341-361, 410-414, 806

(56) **References Cited**

U.S. PATENT DOCUMENTS

D50,027 S	*	12/1916	Mohr	D26/134
D72,377 S		4/1927	Lundahl		
D90,929 S		10/1933	Smith		
D166,003 S		2/1952	Sly et al.		
D201,841 S		8/1965	Douglas		
D201,842 S		8/1965	Douglas		
D205,529 S		8/1966	Palmer		
D210,229 S		2/1968	Scarsdale et al.		
3,368,300 A		2/1968	Balthazor		
D220,507 S		4/1971	Peterson		
D227,282 S		6/1973	Schreckengost		
3,789,869 A		2/1974	Morris		
D252,224 S		6/1979	Asano		
D252,229 S		6/1979	Asano		

D258,457 S	3/1981	Pape
D263,325 S	3/1982	Kanaoki
D272,928 S	3/1984	Fisher
D277,688 S	2/1985	Wilkes
D289,535 S	4/1987	Wilkes
D297,034 S	8/1988	Matsumoto
D308,351 S	6/1990	Fry et al.
D380,992 S	7/1997	McDaniel
D436,893 S	1/2001	Kastner

* cited by examiner

Primary Examiner—Alan P. Douglas
Assistant Examiner—Linda Brooks
(74) *Attorney, Agent, or Firm*—Jacox, Meckstroth & Jenkins

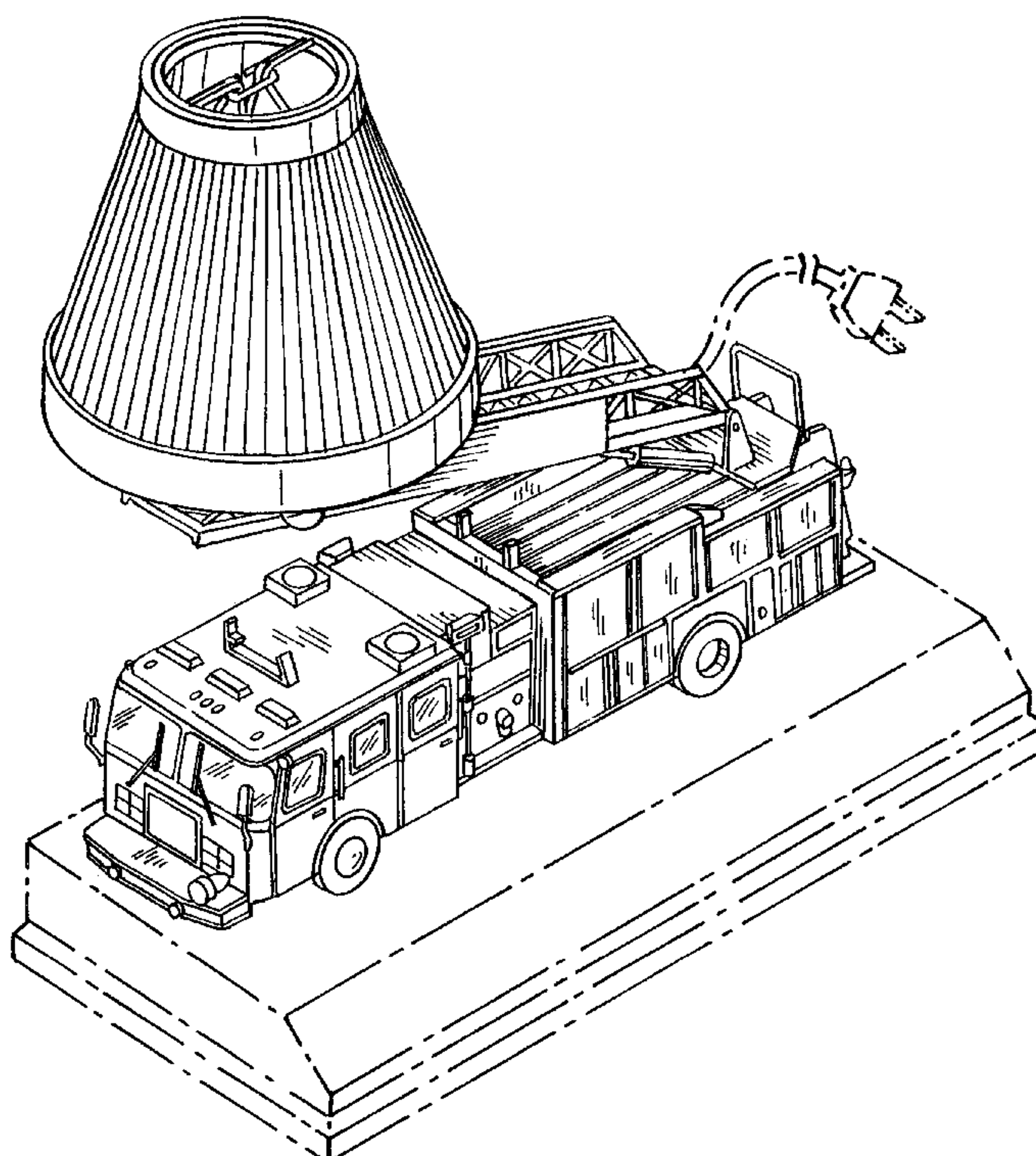
(57) **CLAIM**

The ornamental design for a fire truck lamp, as shown and described.

DESCRIPTION

FIG. 1 is a perspective view of the fire truck lamp; FIG. 2 is a top view of the fire truck lamp; FIG. 3 is a side view of the fire truck lamp, with the opposite side of the simulative ladder and the harp element being a mirror image thereof; FIG. 4 is a front view of the fire truck lamp; FIG. 5 is a rear view of the fire truck lamp; and, FIG. 6 is a bottom view of the fire truck lamp. The broken lines shown are for illustrative purposes only and form no part of the claimed design.

1 Claim, 3 Drawing Sheets



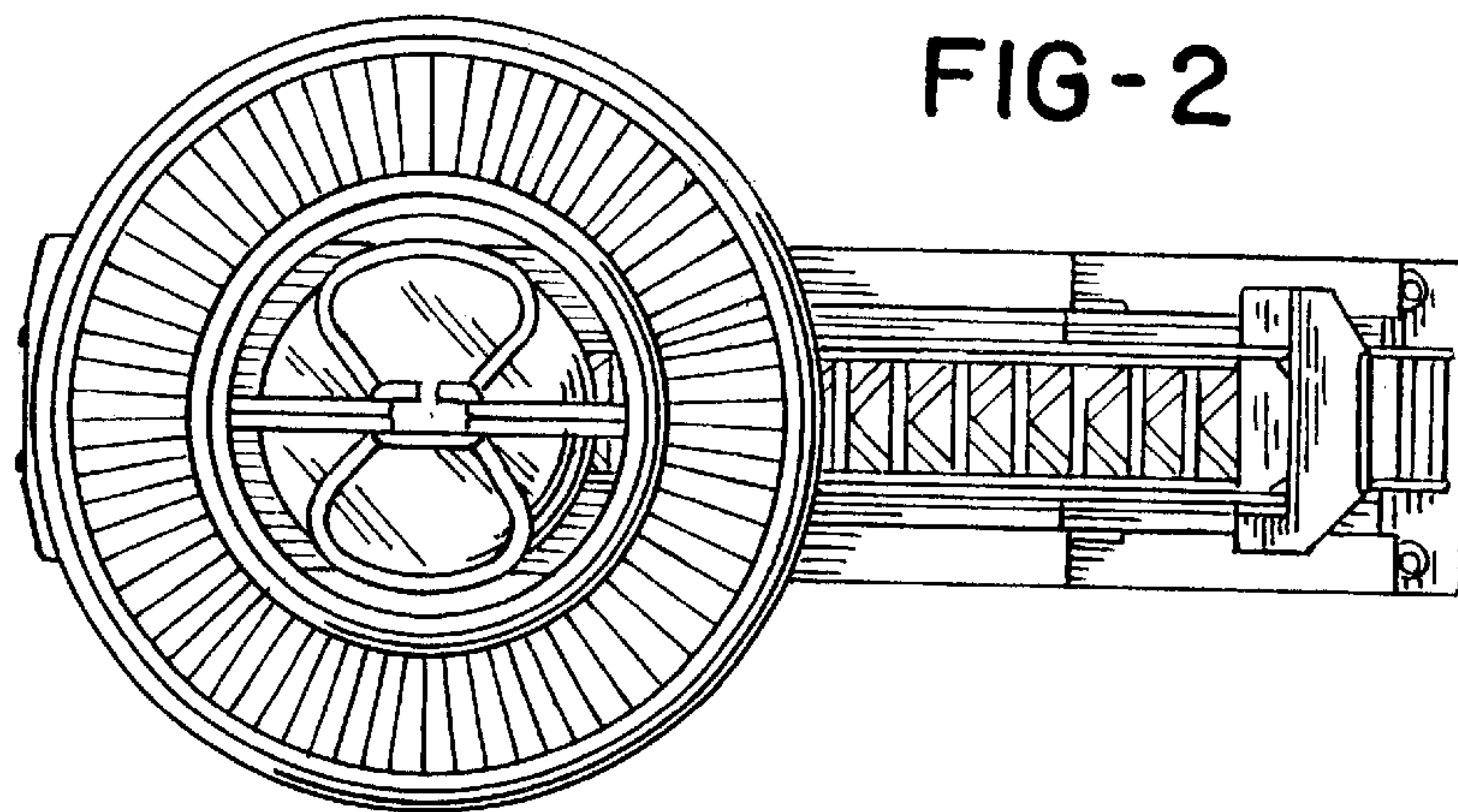
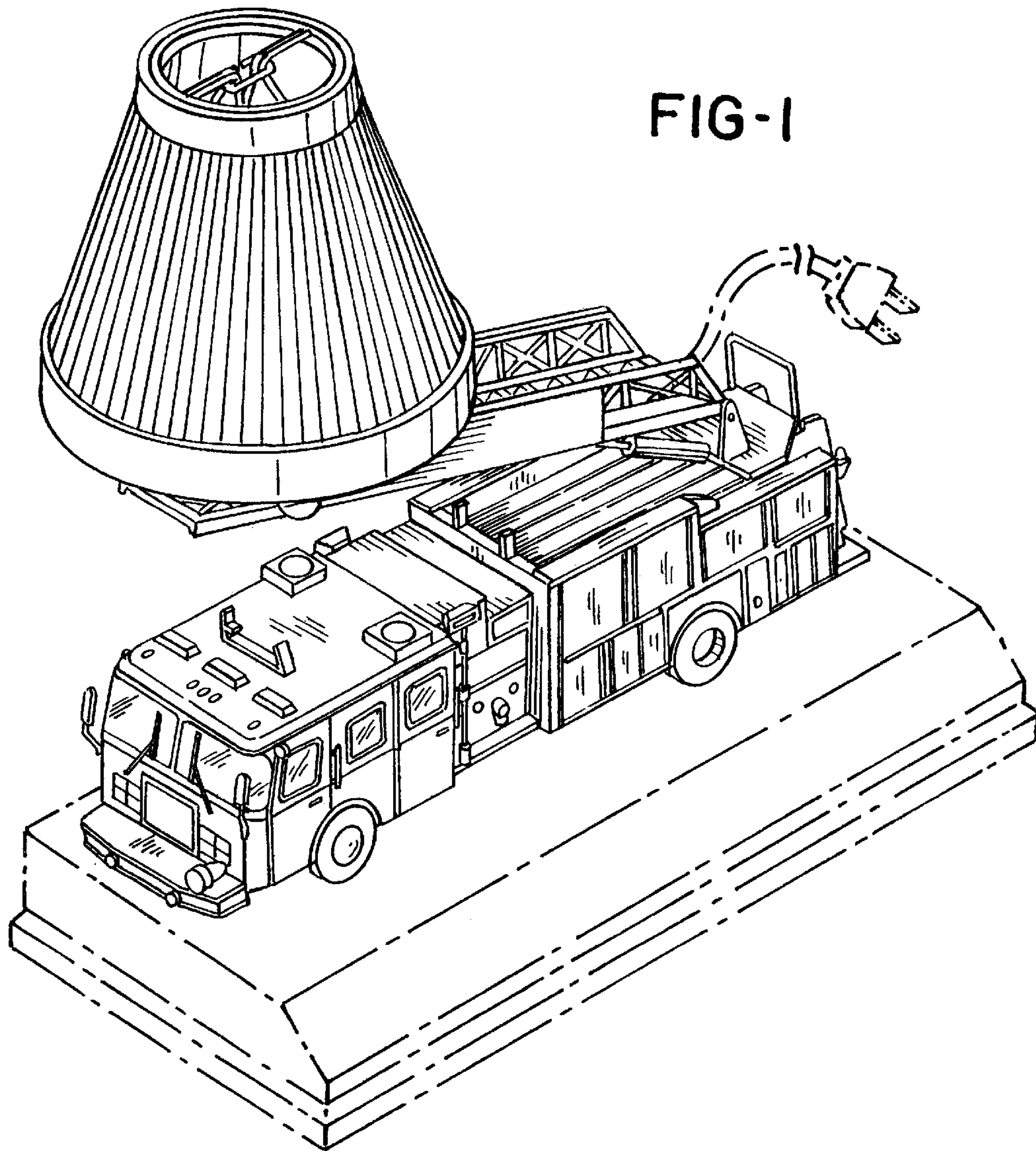


FIG-3

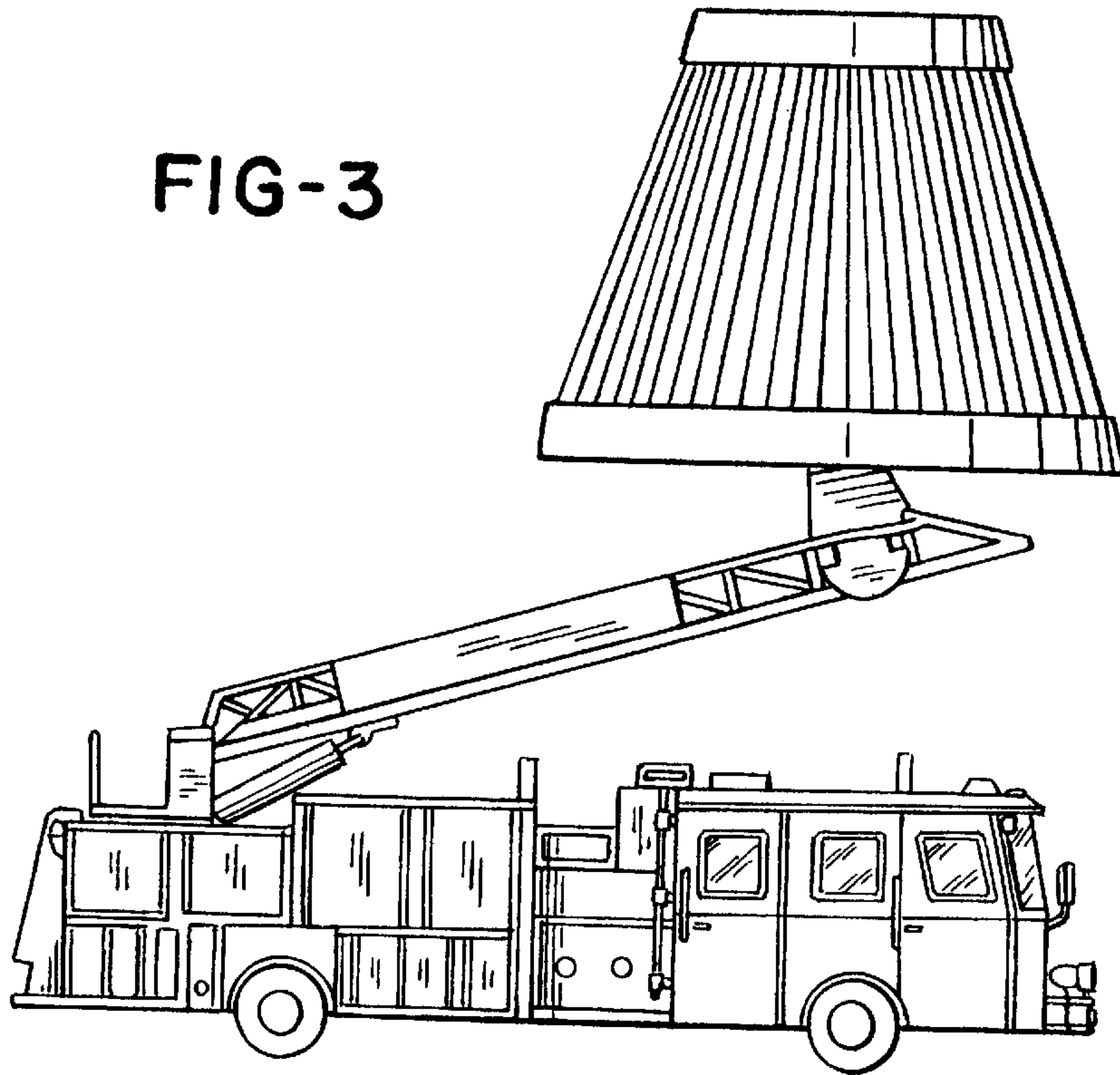


FIG-4

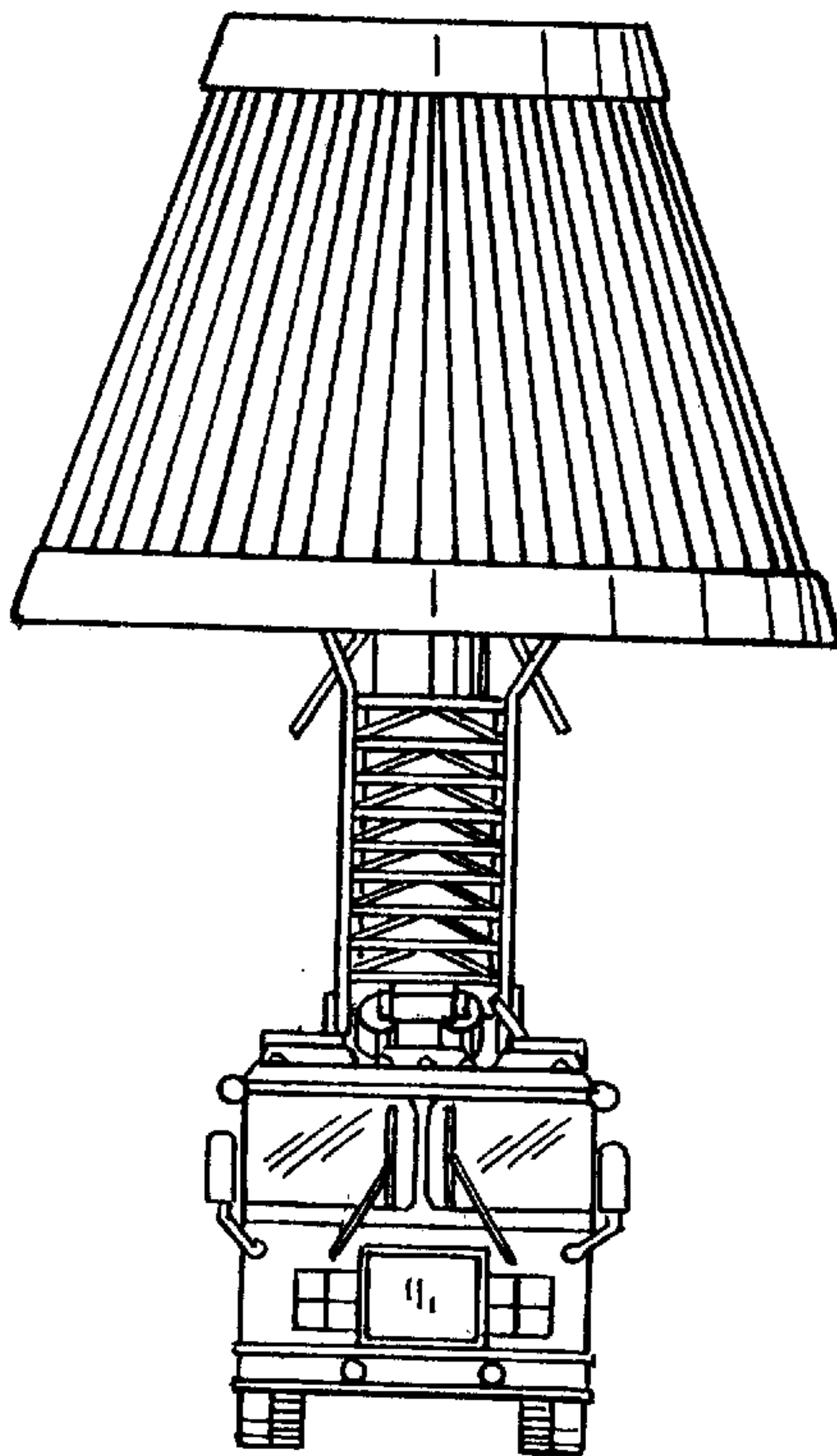


FIG-5

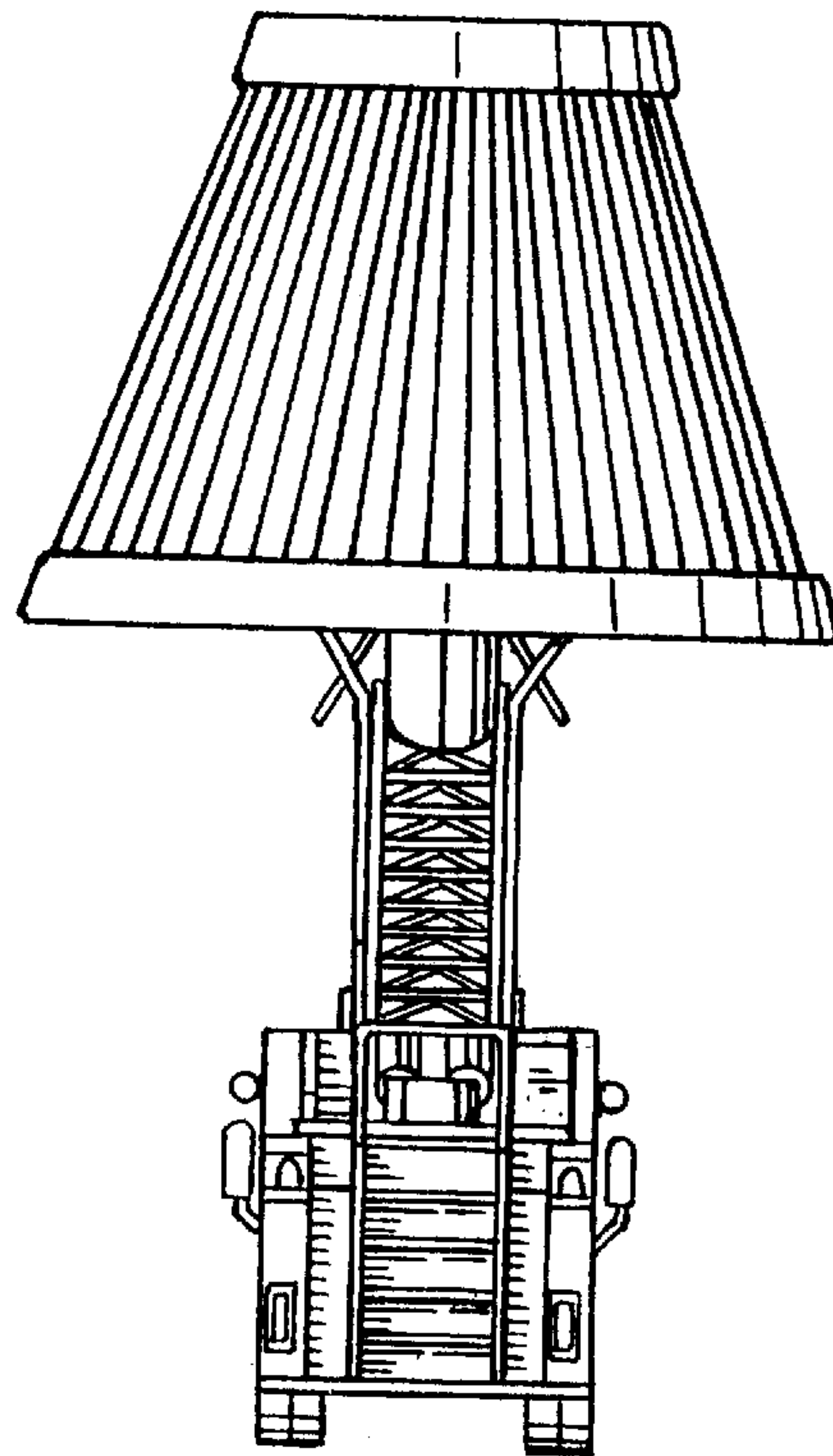


FIG-6

