



US00D481151S

(12) **United States Design Patent**
Brunner

(10) **Patent No.:** **US D481,151 S**

(45) **Date of Patent:** **** Oct. 21, 2003**

(54) **CHANDELIER**

(75) Inventor: **Richard L. Brunner**, Louisville, KY (US)

(73) Assignee: **Genlyte Thomas Group LLC**, Louisville, KY (US)

(**) Term: **14 Years**

(21) Appl. No.: **29/164,338**

(22) Filed: **Jul. 23, 2002**

(51) **LOC (7) Cl.** **26-03**

(52) **U.S. Cl.** **D26/84; D26/86**

(58) **Field of Search** D26/72, 80-92, D26/141, 144, 155; 362/147, 237, 404-406, 432, 806

(56) **References Cited**

U.S. PATENT DOCUMENTS

D430,689 S * 9/2000 Chiang D26/80
D465,870 S * 11/2002 Dolan D26/84

OTHER PUBLICATIONS

Home Lighting and Accessories, Jun. 2001, p. 83, two chandeliers in top left of page.*

Home Lighting and Accessories, Jun. 2001, p. 9, chandelier in bottom left photo.*

* cited by examiner

Primary Examiner—Clare E. Heflin

(74) *Attorney, Agent, or Firm*—Jeffrey A. Haeberlin; Middleton Reutlinger

(57) **CLAIM**

The ornamental design for a chandelier, as shown and described.

DESCRIPTION

FIG. 1 is a front view of a chandelier showing my design. The back view is identical to the front view and, therefore, has been omitted.

FIG. 2 is a side view of the chandelier of FIG. 1. The view taken from the opposite side is identical to this view and, therefore, has been omitted.

FIG. 3 is an alternative view of the chandelier of FIG. 1, taken from a 45 degree angle to the side of the side view of FIG. 2.

FIG. 4 is a top view of the chandelier of FIG. 1.

FIG. 5 is a bottom view thereof; and,

FIG. 6 is a perspective view of the chandelier of FIG. 1.

The broken line showing of the shades is for illustrative purposes only and forms no part of the claimed design.

1 Claim, 6 Drawing Sheets

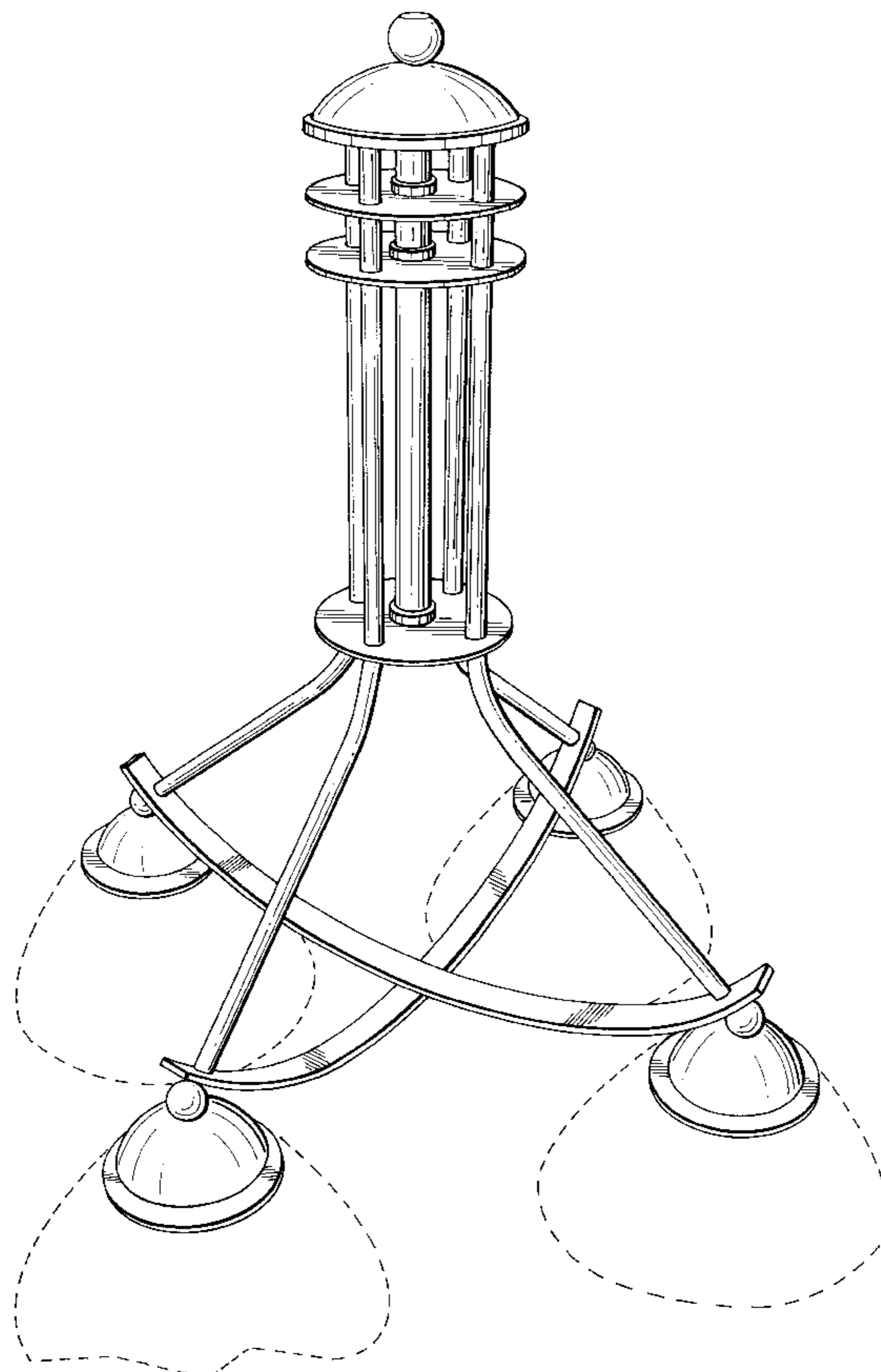


FIG. 1

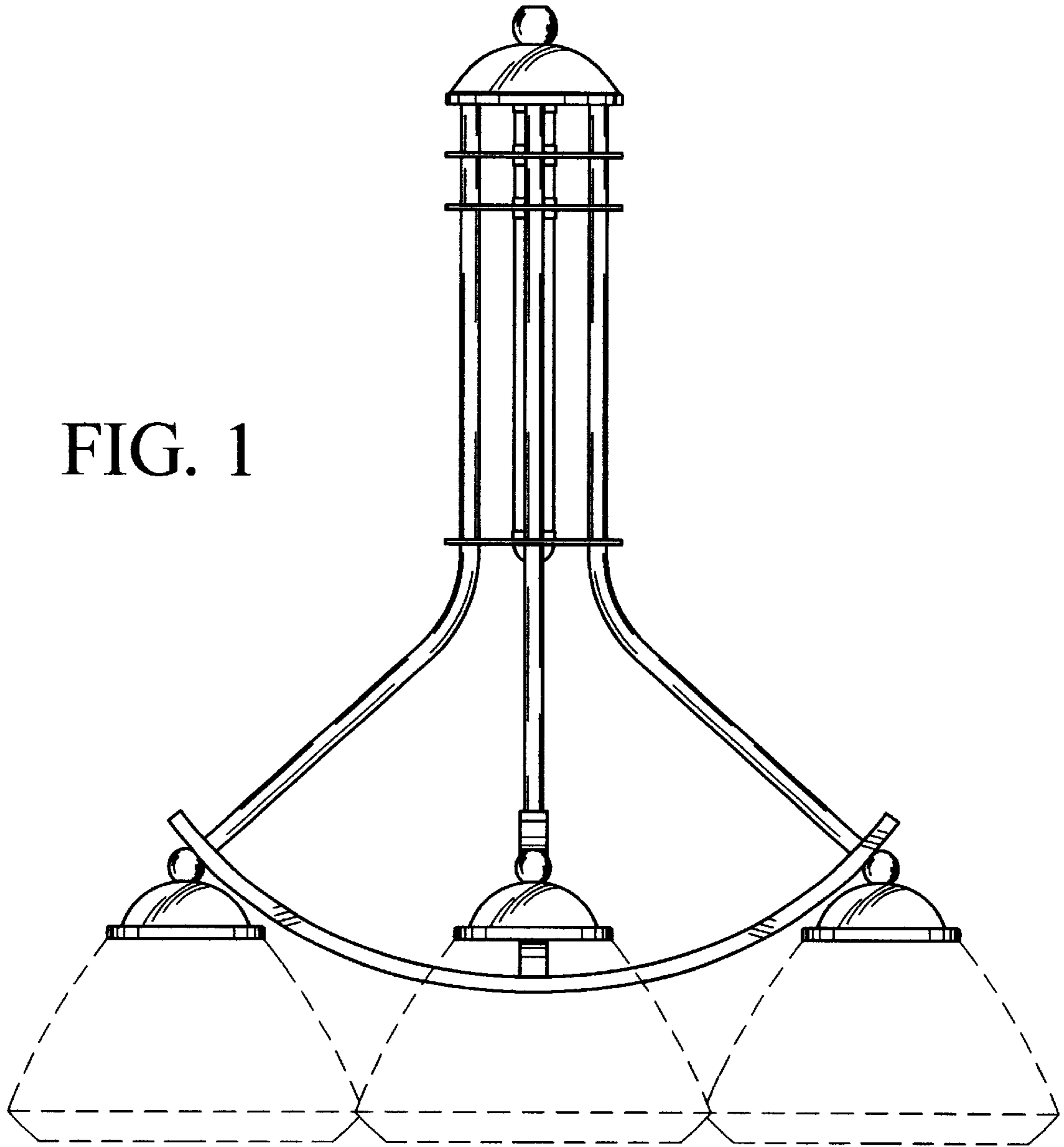
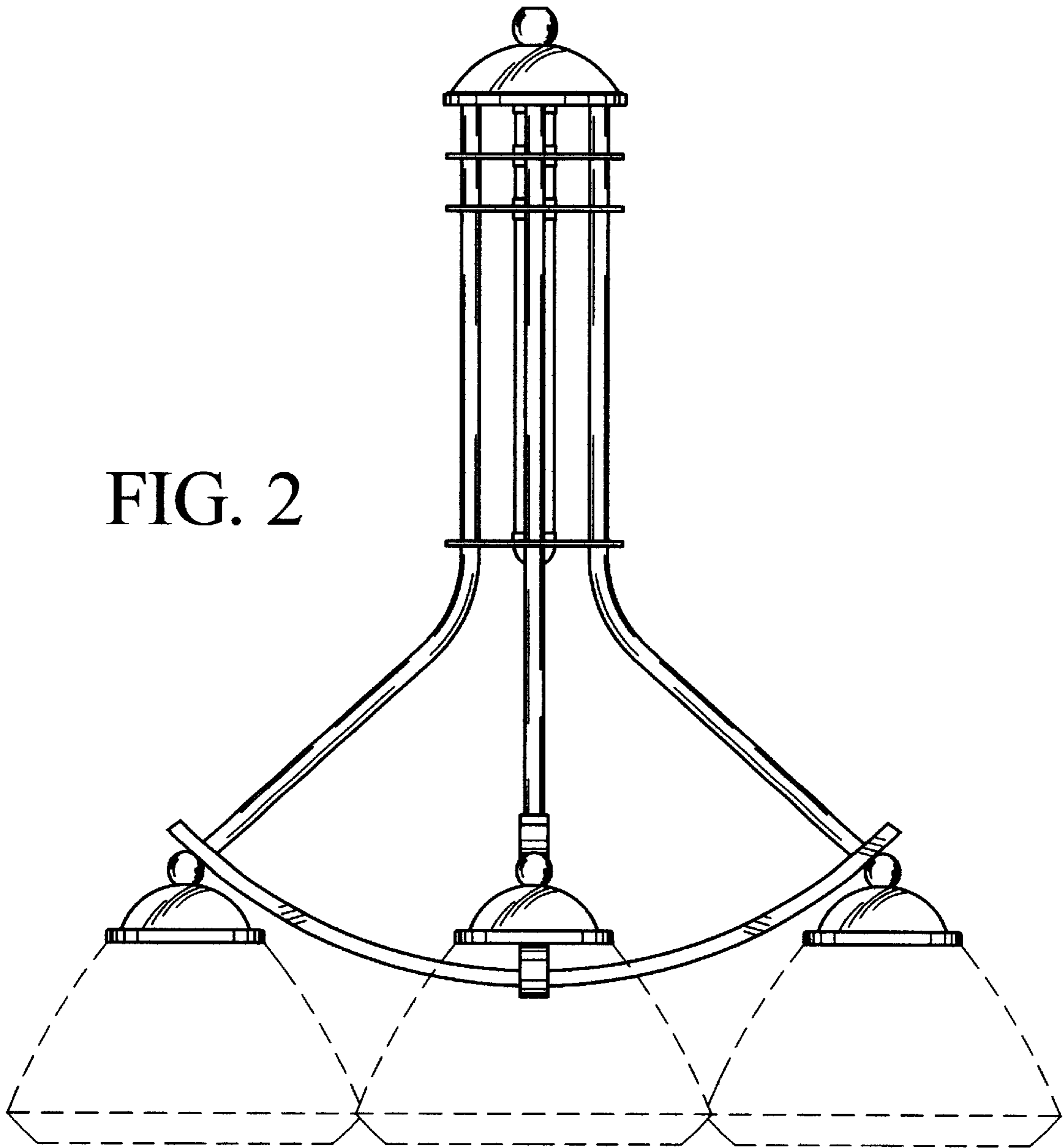
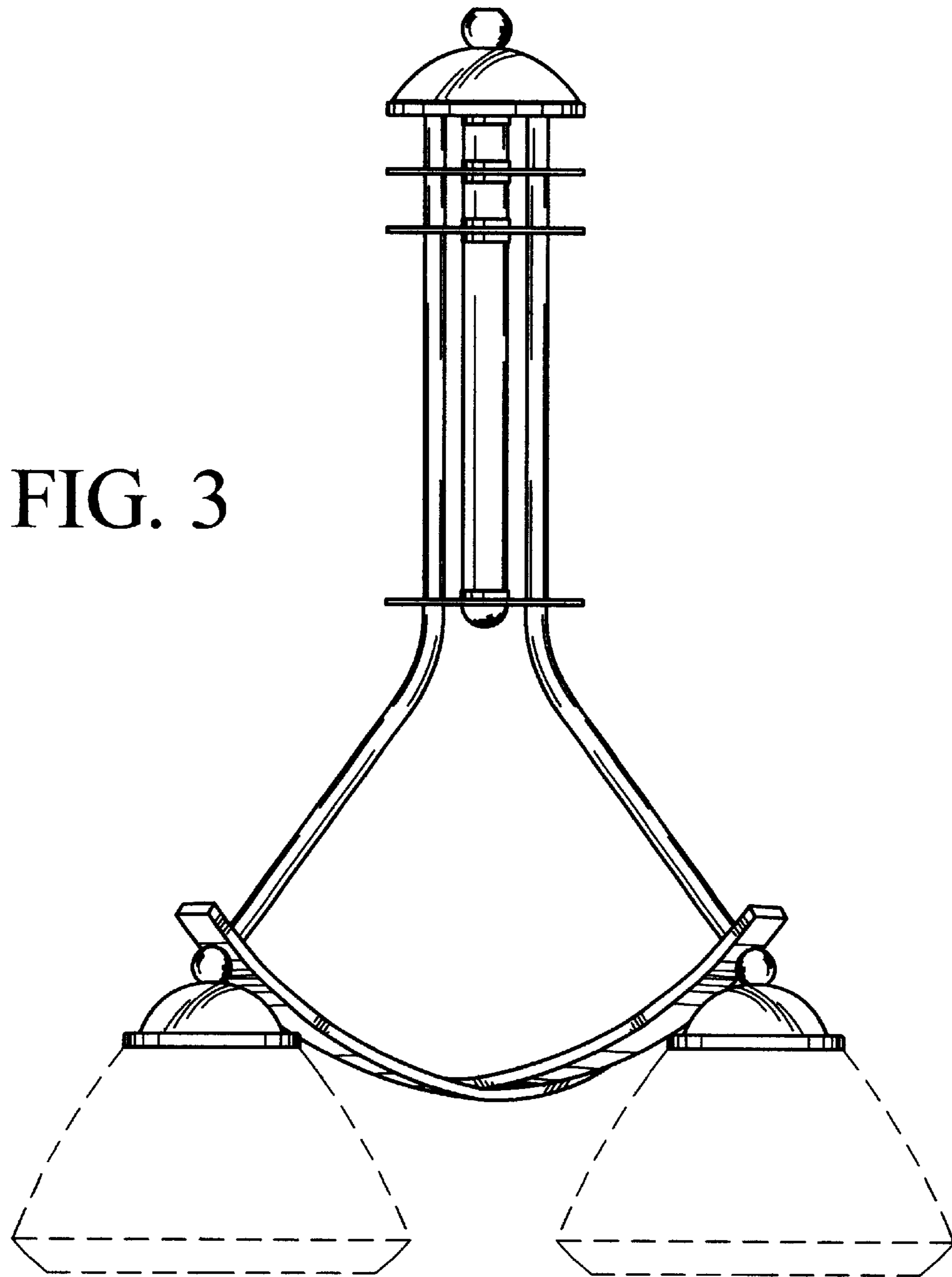


FIG. 2





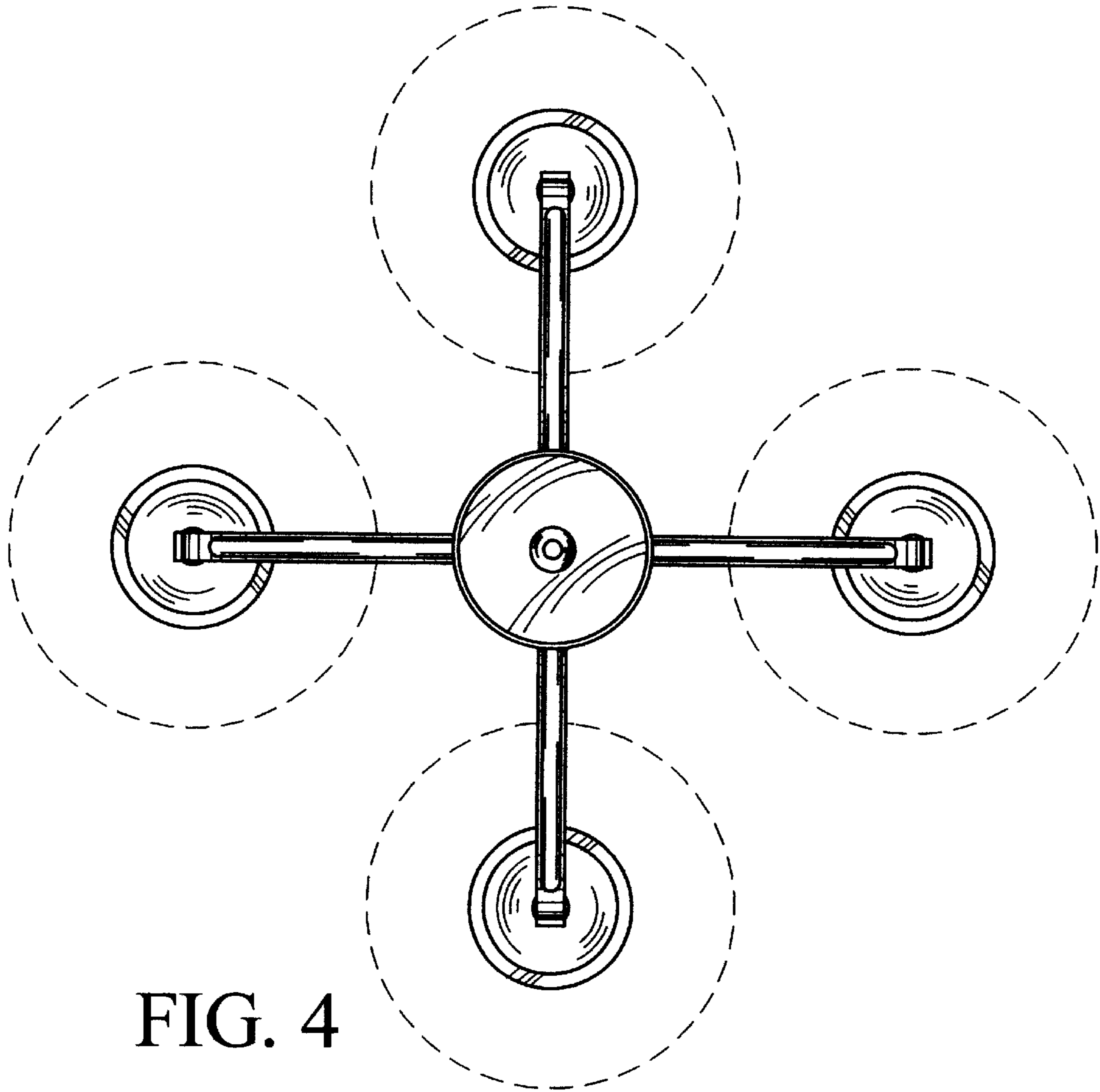


FIG. 4

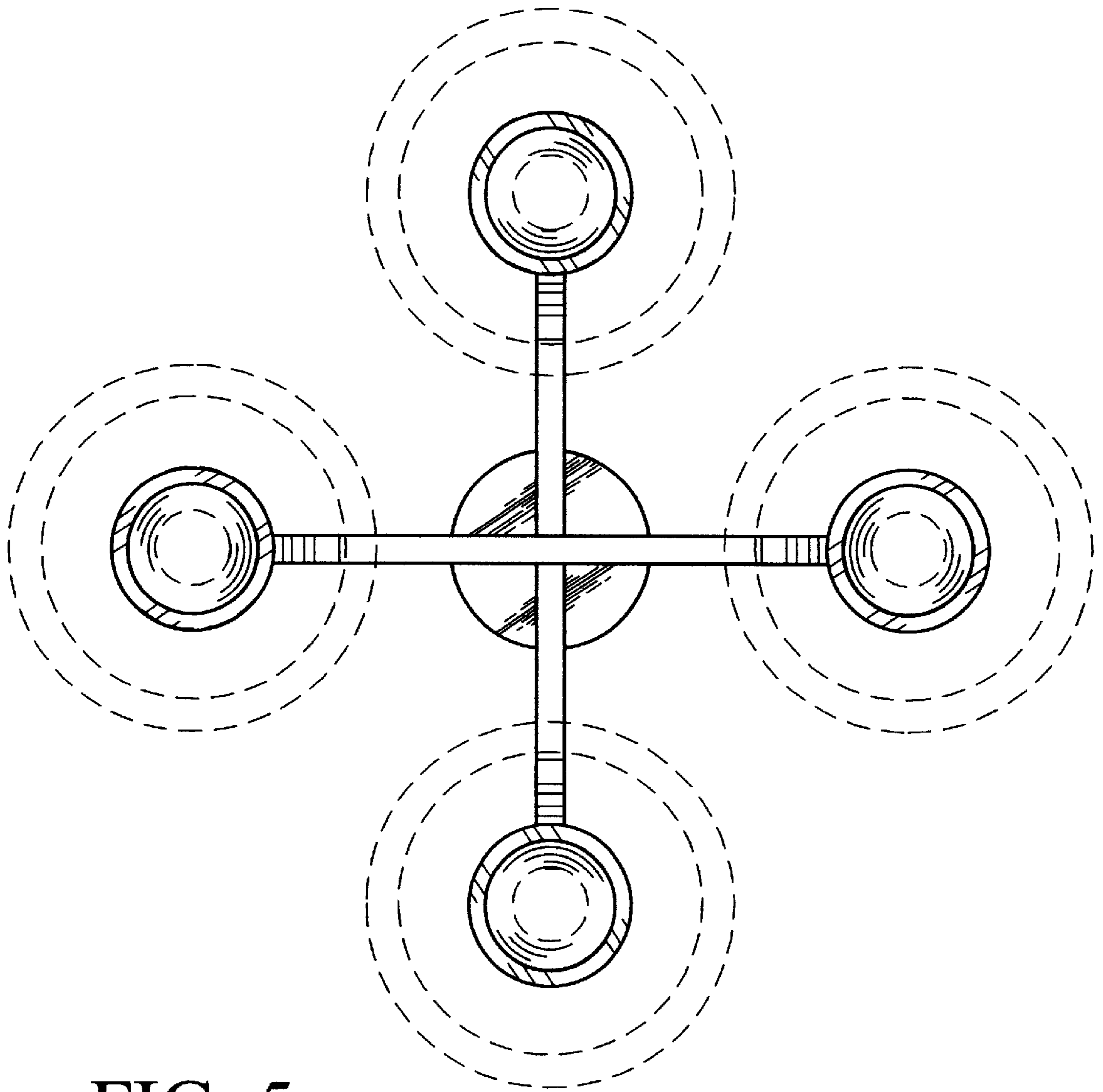


FIG. 5

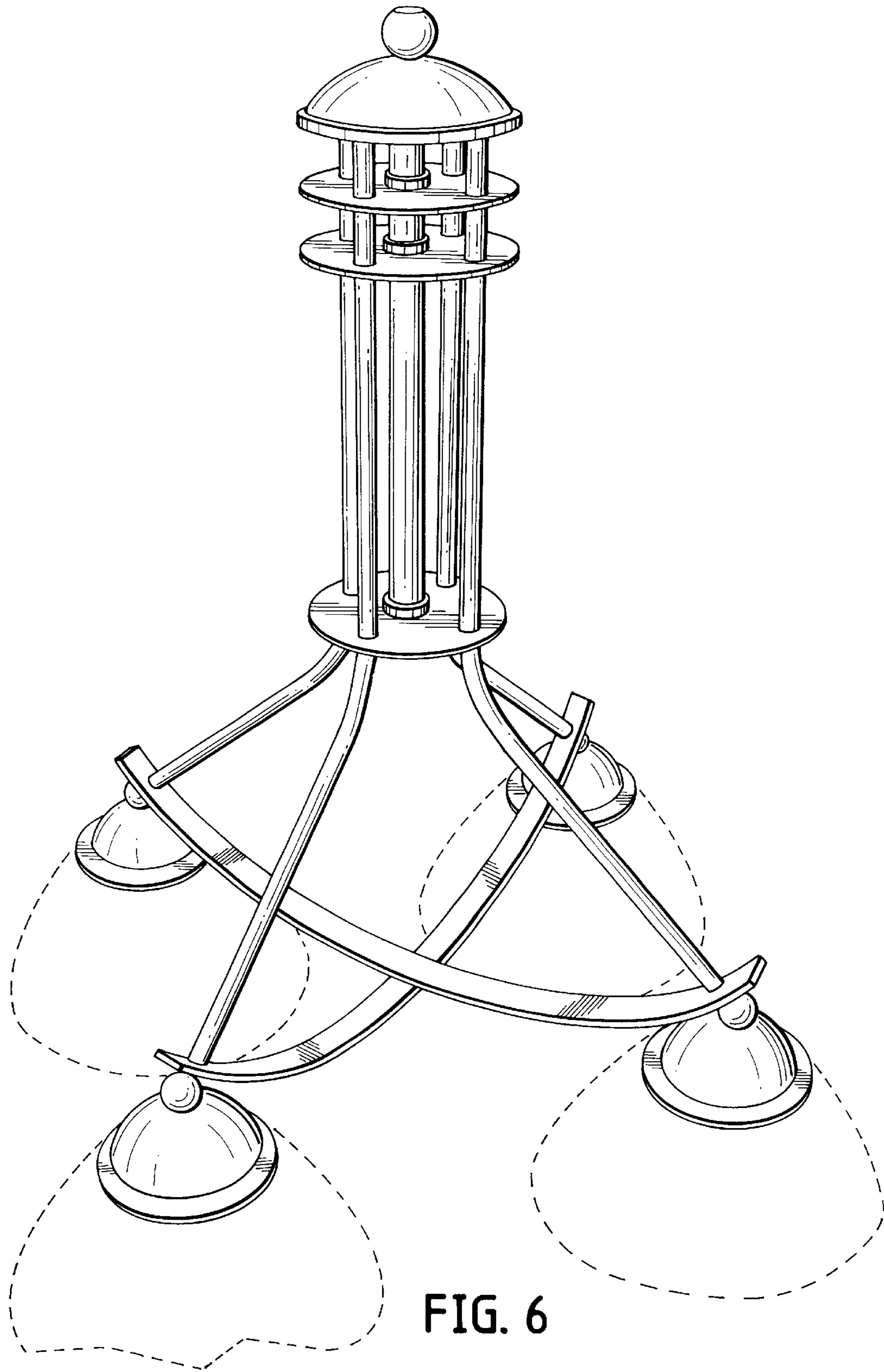


FIG. 6