



US00D481149S

(12) **United States Design Patent**
Engel

(10) **Patent No.:** **US D481,149 S**

(45) **Date of Patent:** **** Oct. 21, 2003**

(54) **LIGHT**

(76) Inventor: **Hartmut S. Engel**, Monrepos Strasse 7,
Ludwigsburg (DE), 71634

(**) Term: **14 Years**

(21) Appl. No.: **29/151,120**

(22) Filed: **Oct. 25, 2001**

Related U.S. Application Data

(63) Continuation-in-part of application No. 29/147,032, filed on
Aug. 20, 2001, now abandoned.

(30) **Foreign Application Priority Data**

Feb. 20, 2001 (DE) 401 01 913

(51) **LOC (7) Cl.** **26-03**

(52) **U.S. Cl.** **D26/76**

(58) **Field of Search** D26/63, 72, 75-78,
D26/84, 90; 362/217-220, 432, 147, 247

(56) **References Cited**

U.S. PATENT DOCUMENTS

- 2,195,114 A * 3/1940 McCarthy 362/225
- D294,067 S * 2/1988 Ambasz D26/76
- D402,763 S * 12/1998 Bring D26/78
- D431,086 S * 9/2000 Cole, Jr. D26/76

OTHER PUBLICATIONS

Peerless Lighting Corporation Catalog (c)1988; "Applica-
tions and Recommendations" Insert. p. 7, suspended fluo-
rescent fixture in all four photographs.*

Illuminotecnica, Sep./Oct. 1997, p. 178, suspended fixture in
top of photograph.*

* cited by examiner

Primary Examiner—Clare E. Heflin

(74) *Attorney, Agent, or Firm*—Townsend and Townsend
and Crew LLP

(57) **CLAIM**

The ornamental design for a light, as shown and described.

DESCRIPTION

FIG. 1 is a view from below of a light design in accordance
with the present invention;

FIG. 2 is a left side view thereof;

FIG. 3 is a left end view thereof;

FIG. 4 is a right end view thereof;

FIG. 5 is a view from above of the light illustrated in FIG.
1;

FIG. 6 is a right side view of the light illustrated in FIG. 1;

FIG. 7 is an enlarged end view of the light illustrated in FIG.
1;

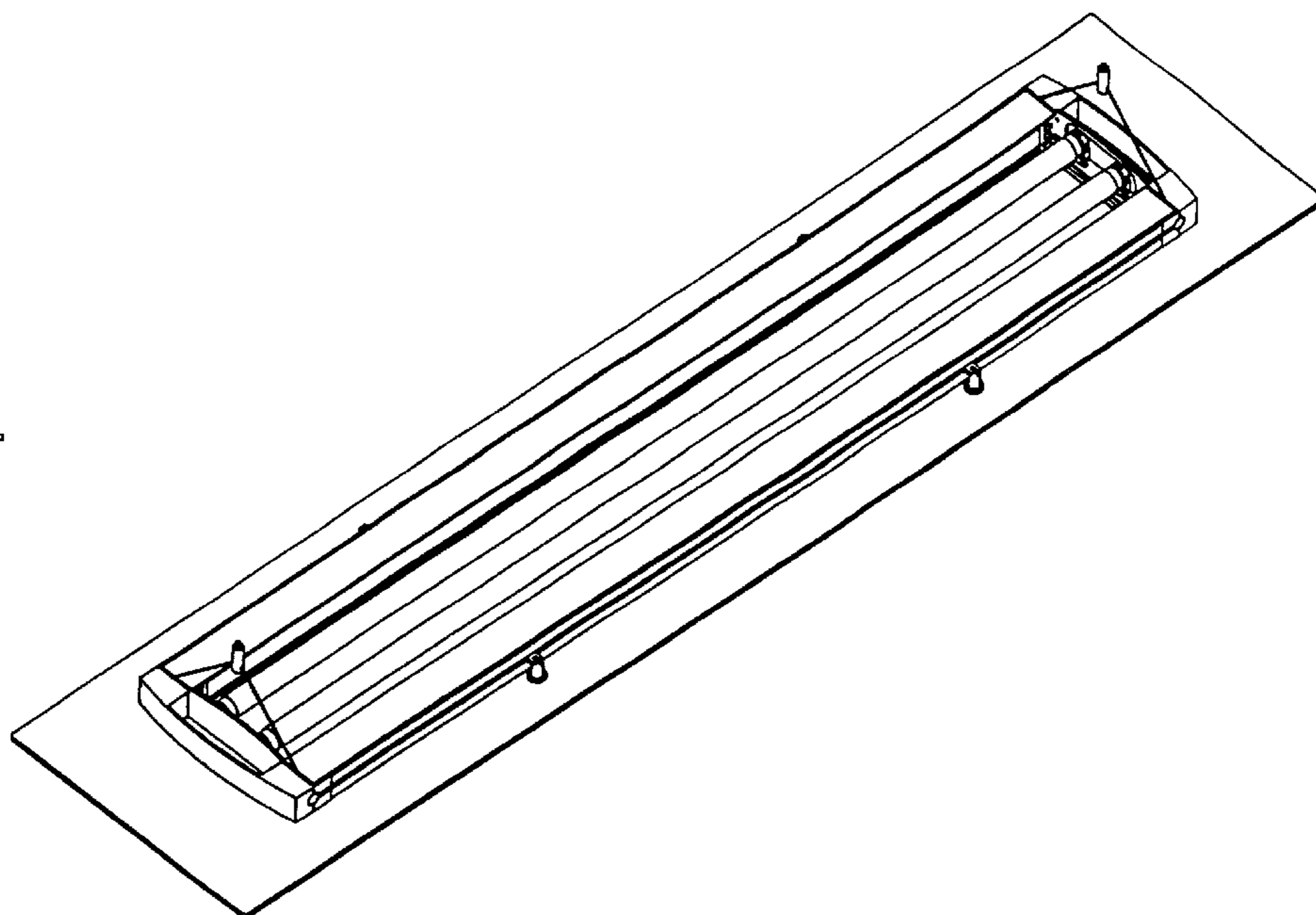
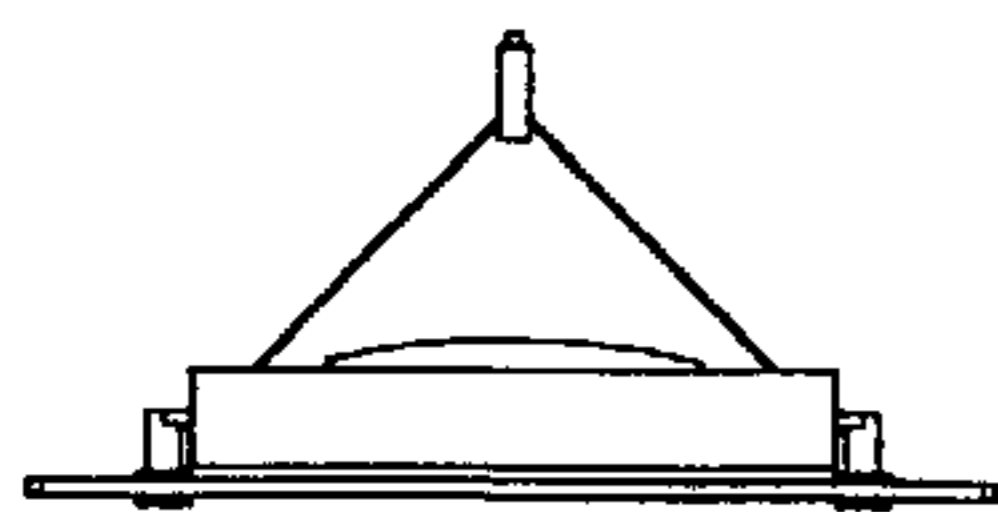
FIG. 8 is a perspective view from the left end, from the right
and from above of the light illustrated in FIG. 1;

FIG. 9 is a perspective view from the right, from the left end
and from below of the light illustrated in FIG. 1; and,

FIG. 10 is an end perspective view of the light in FIG. 1 seen
obliquely from below.

The broken lines shown on the drawings are for illustrative
purposes only and form no part of the claimed design.

1 Claim, 3 Drawing Sheets



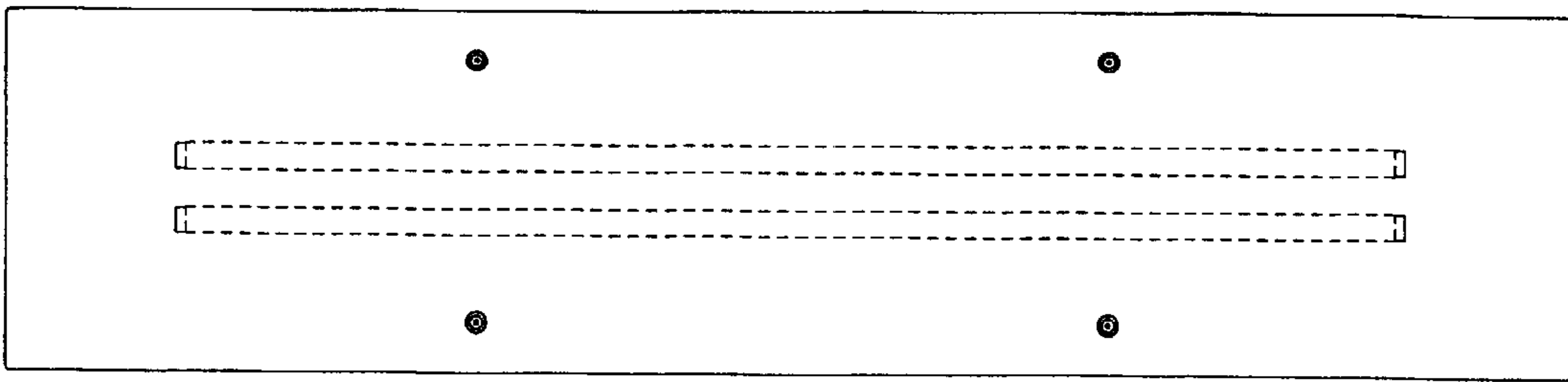


FIG. 1

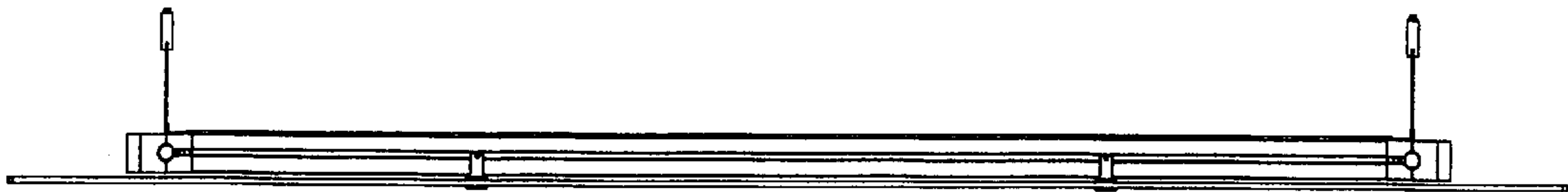


FIG. 2

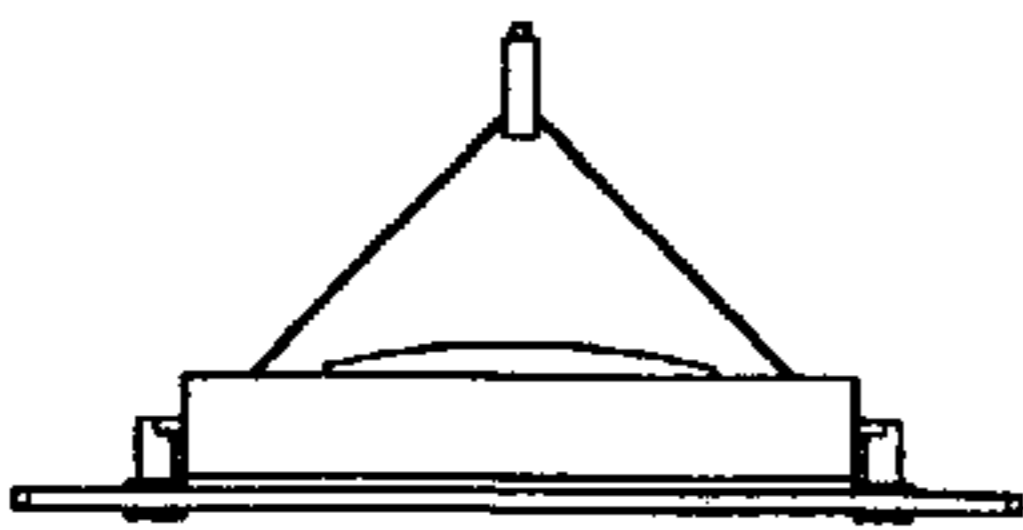


FIG. 3

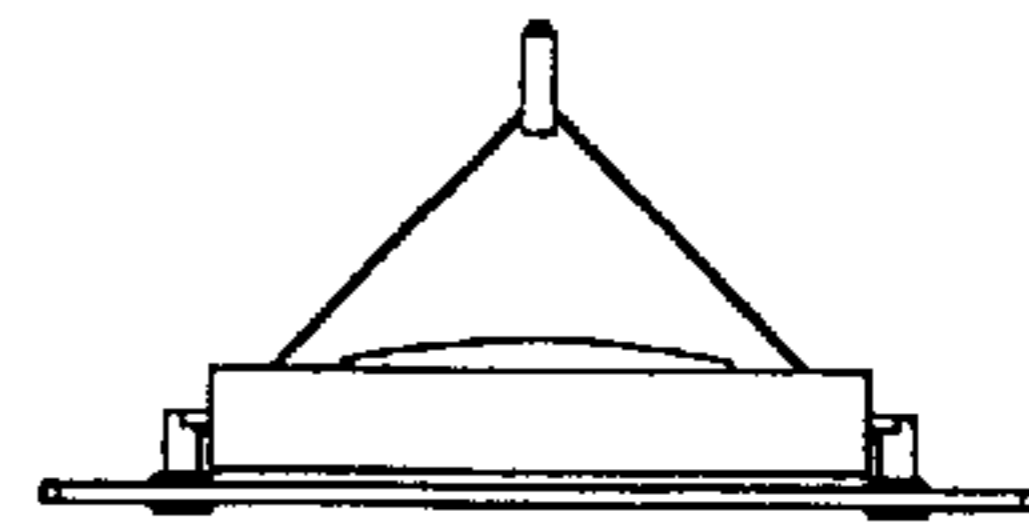


FIG. 4

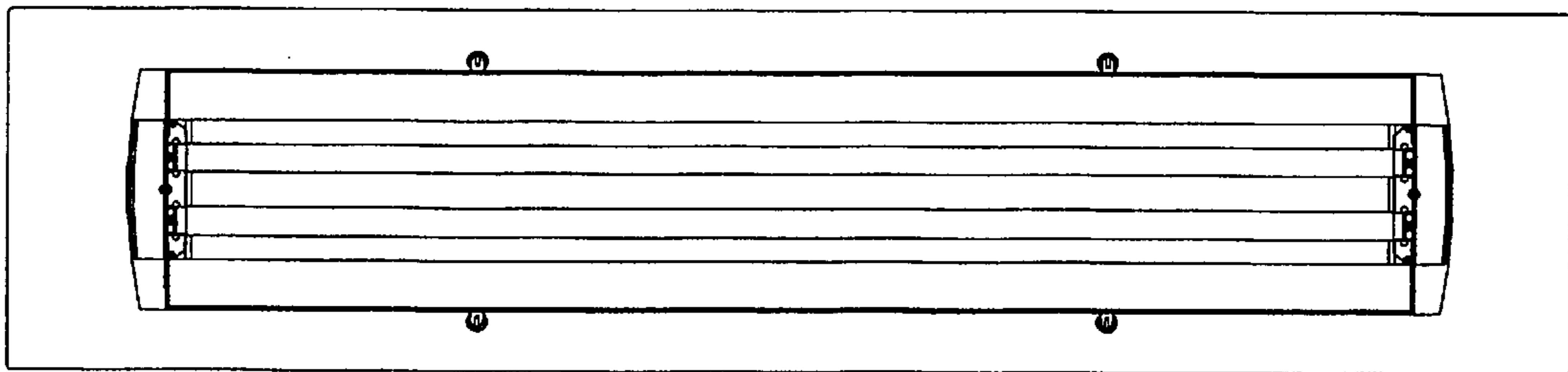


FIG. 5



FIG. 6

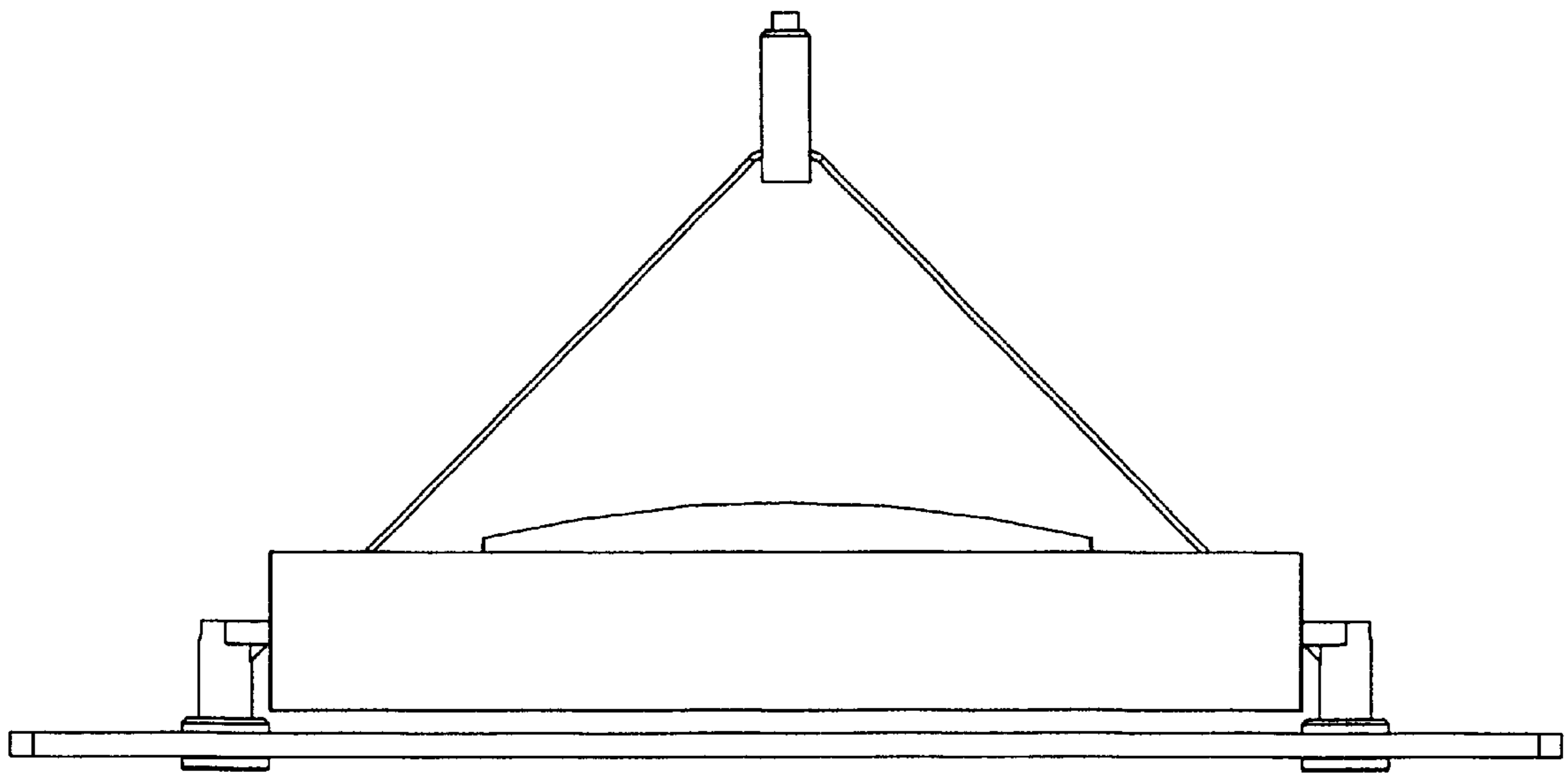


FIG. 7

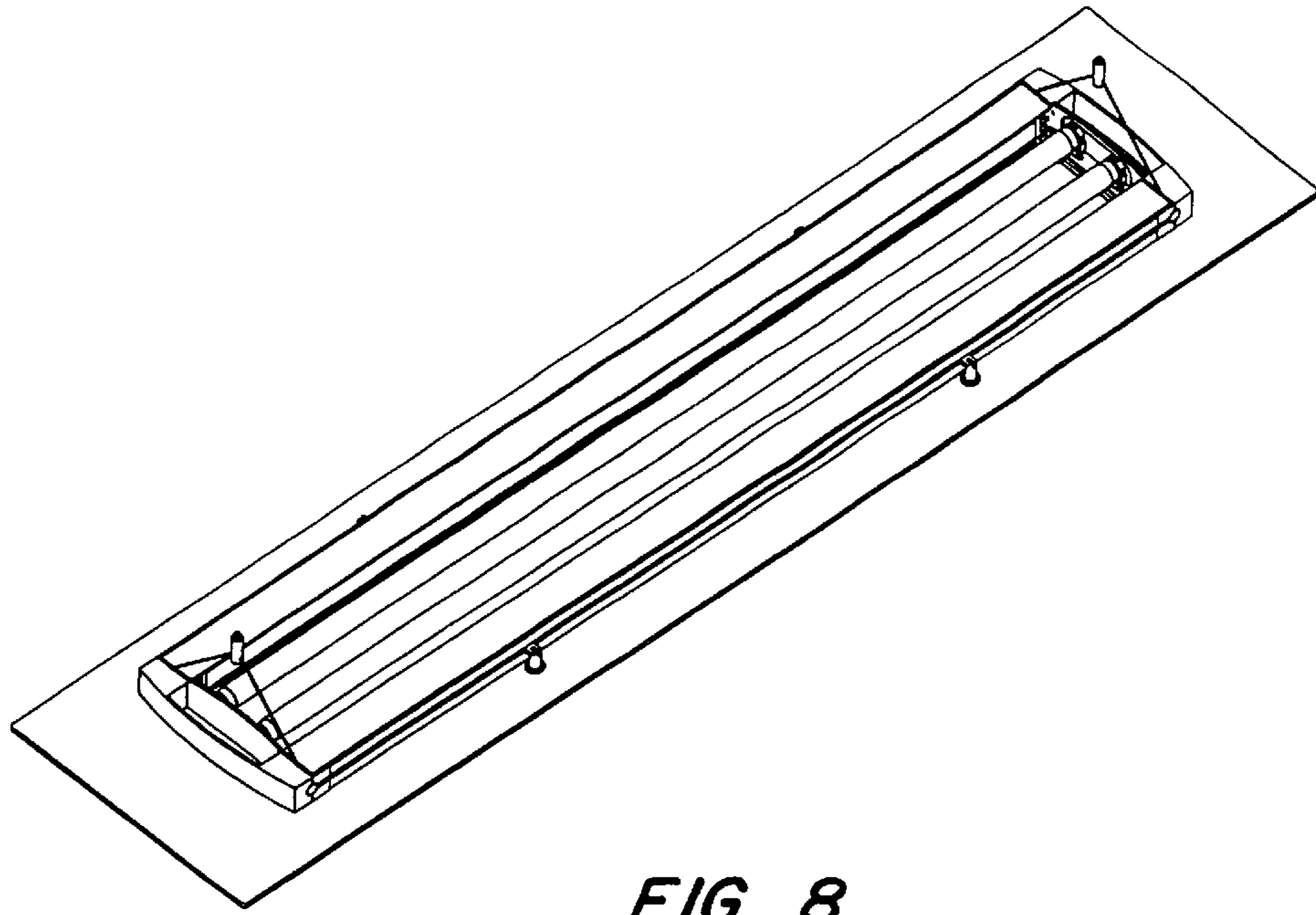


FIG. 8

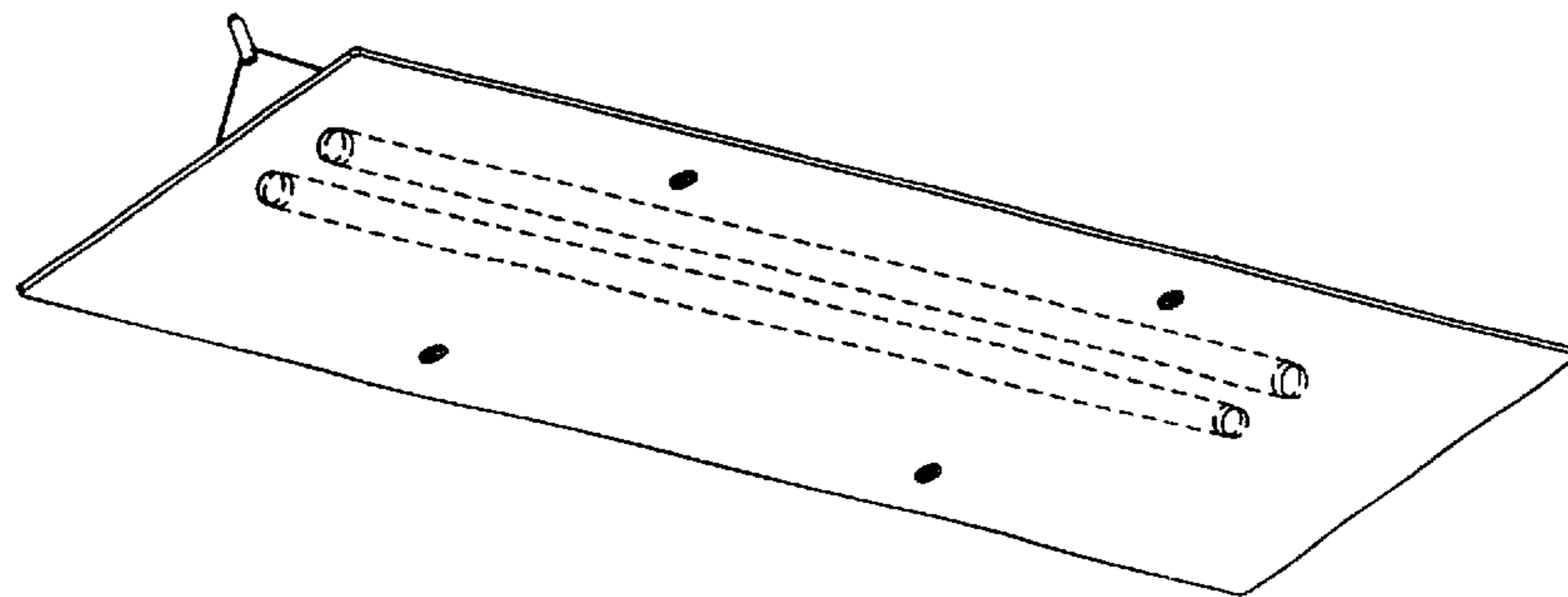


FIG. 9

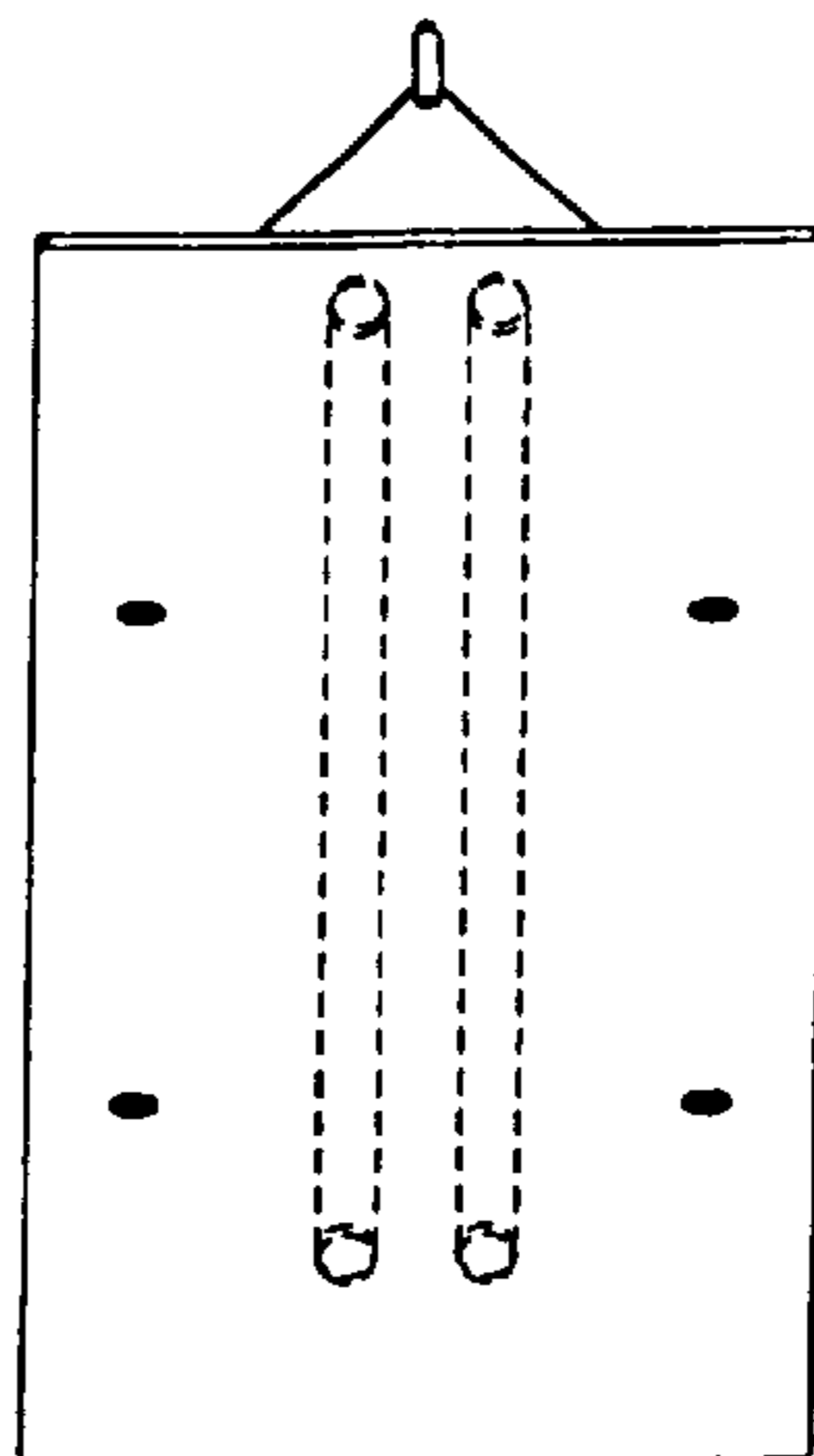


FIG. 10