



US00D481148S

(12) **United States Design Patent** (10) **Patent No.:** **US D481,148 S**
Brown (45) **Date of Patent:** **** *Oct. 21, 2003**

(54) **EXTENDABLE FLASHLIGHT**

(75) Inventor: **John Robert Brown**, Mosman (AU)

(73) Assignee: **Eveready Battery Company, Inc.**, St. Louis, MO (US)

(*) Notice: This patent is subject to a terminal disclaimer.

(**) Term: **14 Years**

(21) Appl. No.: **29/110,742**

(22) Filed: **Sep. 10, 1999**

(30) **Foreign Application Priority Data**

Mar. 12, 1999 (AU) 775/99

(51) **LOC (7) Cl.** **26-02**

(52) **U.S. Cl.** **D26/50**

(58) **Field of Search** D26/37-50; 362/157, 362/158, 171, 172, 173, 183-208

(56) **References Cited**

U.S. PATENT DOCUMENTS

D284,106 S	*	6/1986	Drane	D26/50
D352,565 S	*	11/1994	Yau	D26/50
D404,158 S	*	1/1999	Yuen	D26/50

* cited by examiner

Primary Examiner—Marcus A. Jackson

(74) *Attorney, Agent, or Firm*—Robert W. Welsh; Stewart A. Fraser

(57) **CLAIM**

I claim the ornamental design for extendable flashlight, as shown and described.

DESCRIPTION

FIG. 1 is a perspective view showing the bottom, front, and first side of the extendable flashlight of the present invention in its retracted position;

FIG. 2 is a perspective view showing the top, rear, and second side of the extendable flashlight of the present invention in its retracted position;

FIG. 3 is a perspective view showing the top of the extendable flashlight of the present invention in its retracted position;

FIG. 4 is a perspective view showing the bottom of the extendable flashlight of the present invention in its retracted position;

FIG. 5 is a perspective view showing the first side of the extendable flashlight of the present invention in its retracted position;

FIG. 6 is a perspective view showing the second side of the extendable flashlight of the present invention in its retracted position;

FIG. 7 is a perspective view showing the front of the extendable flashlight of the present invention in its retracted position;

FIG. 8 is a perspective view showing the rear of the extendable flashlight of the present invention in its retracted position;

FIG. 9 is a perspective view showing the bottom, front, and first side of the extendable flashlight of the present invention in its extended position;

FIG. 10 is a perspective view showing the top, rear, and second side of the extendable flashlight of the present invention in its extended position;

FIG. 11 is a perspective view showing the top of the extendable flashlight of the present invention in its extended position;

FIG. 12 is a perspective view showing the bottom of the extendable flashlight of the present invention in its extended position;

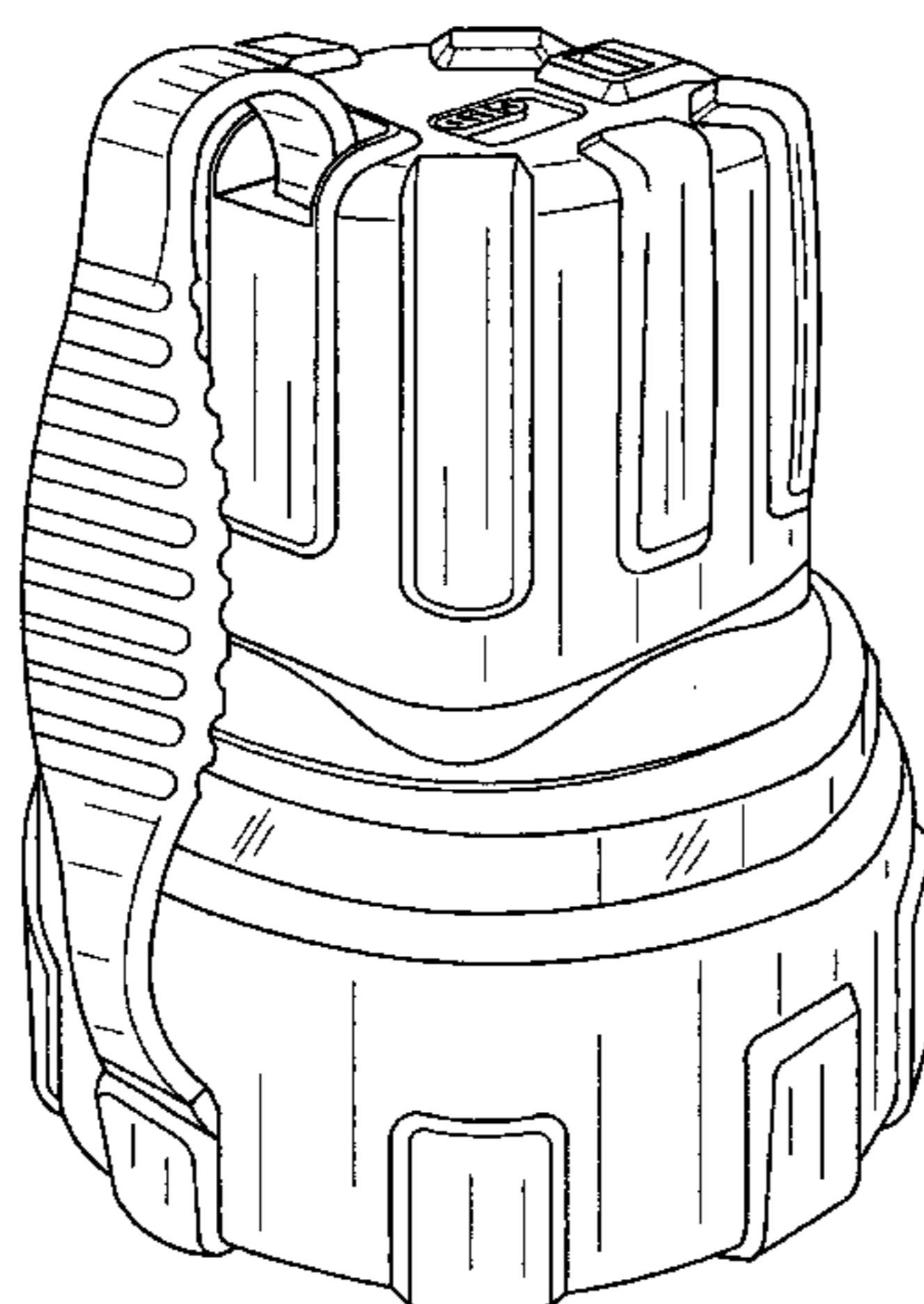
FIG. 13 is a perspective view showing the second side of the extendable flashlight of the present invention in its extended position;

FIG. 14 is a perspective view showing the first side of the extendable flashlight of the present invention in its extended position;

FIG. 15 is a perspective view showing the front of the extendable flashlight of the present invention in its extended position; and,

FIG. 16 is a perspective view showing the rear of the extendable flashlight of the present invention in its extended position.

1 Claim, 14 Drawing Sheets



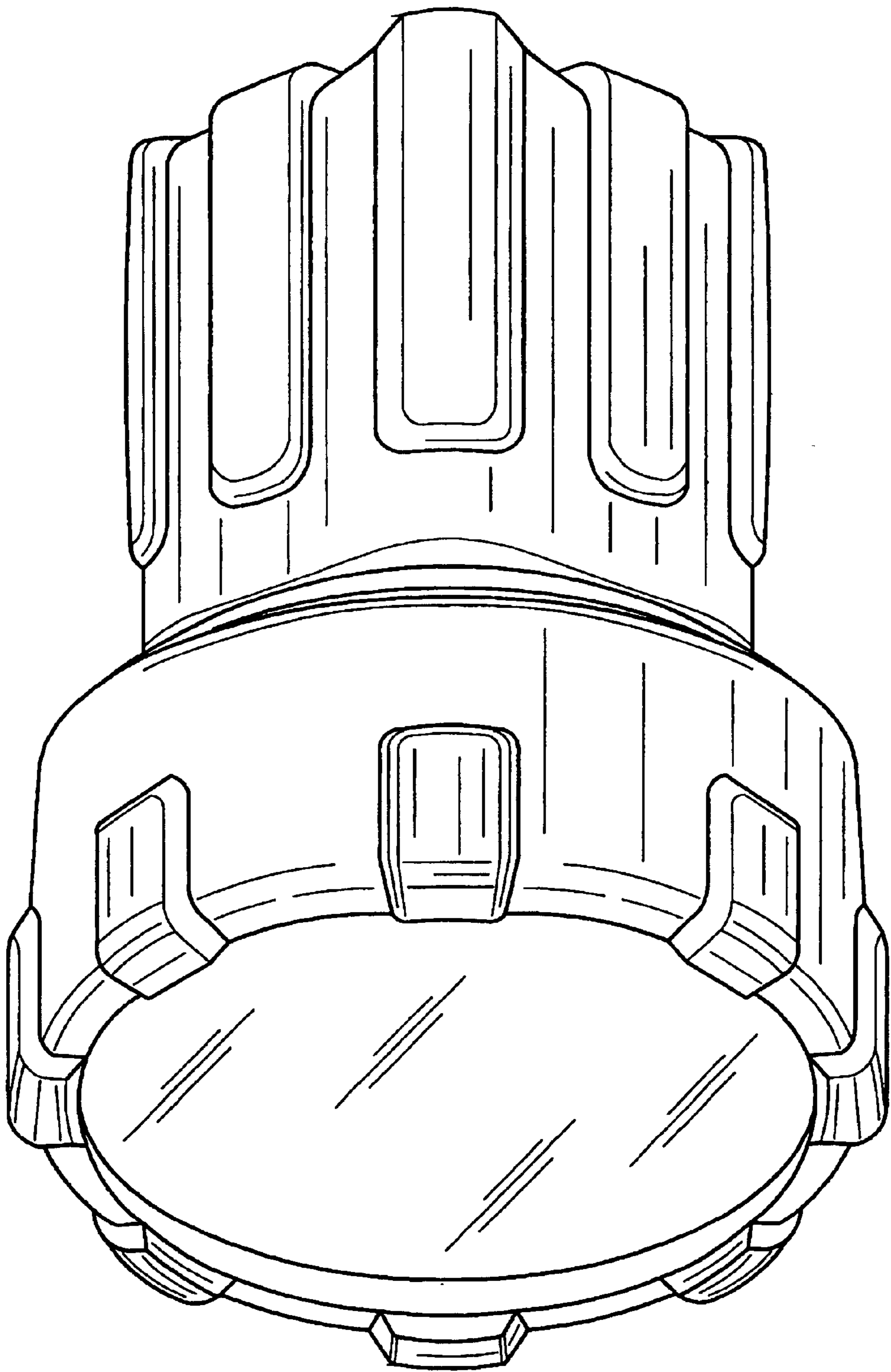


Fig. 1

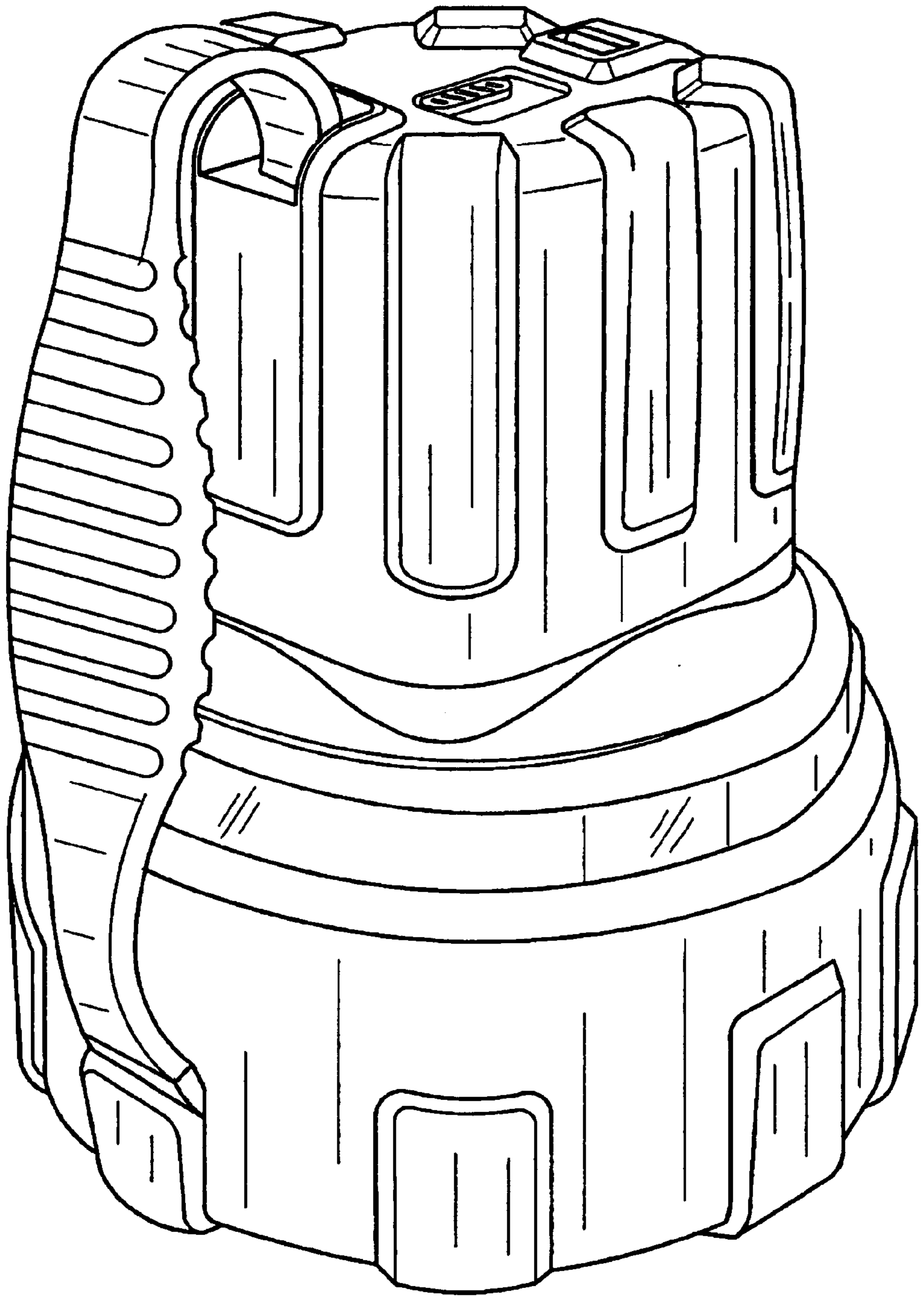


Fig. 2

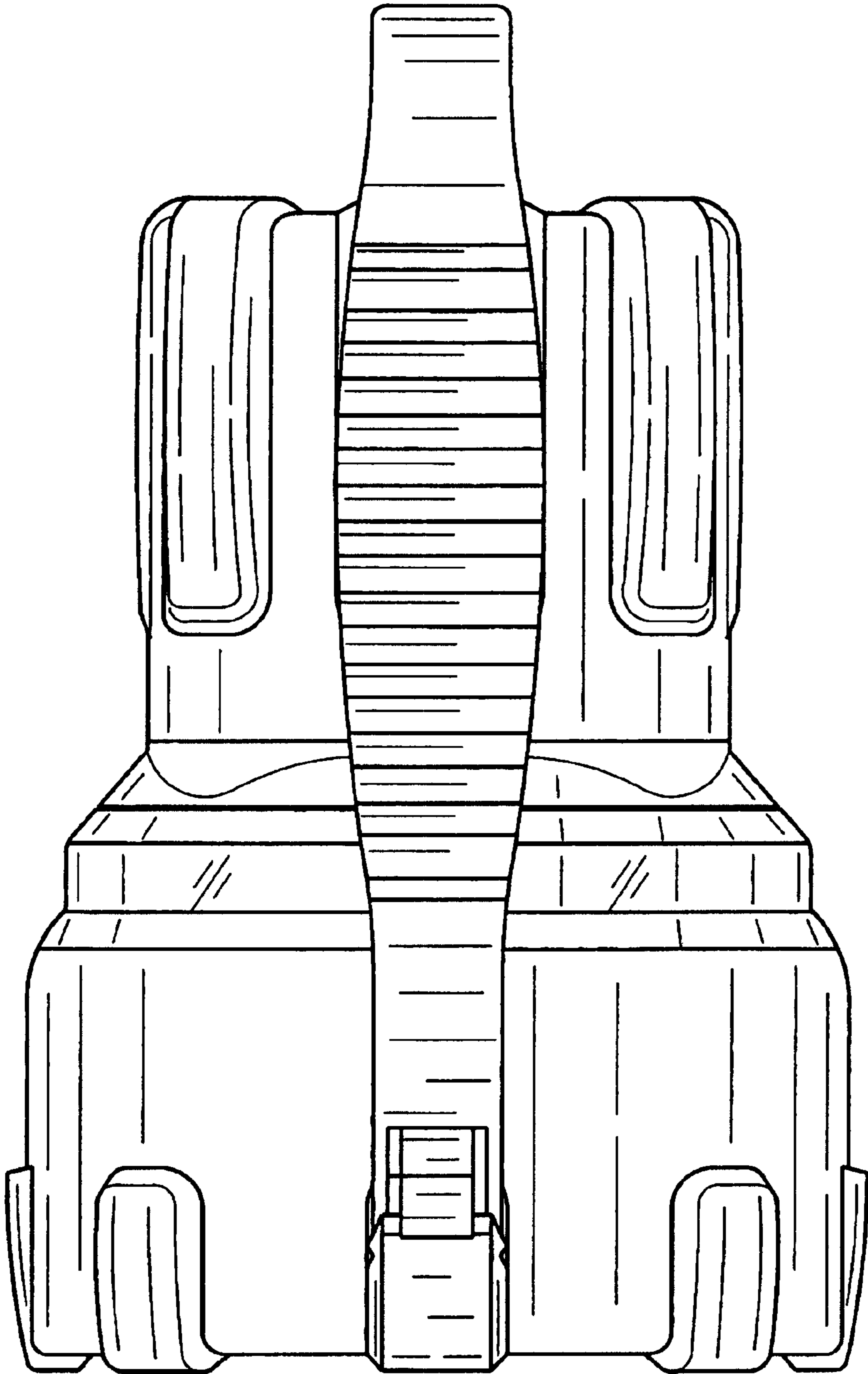


Fig. 3

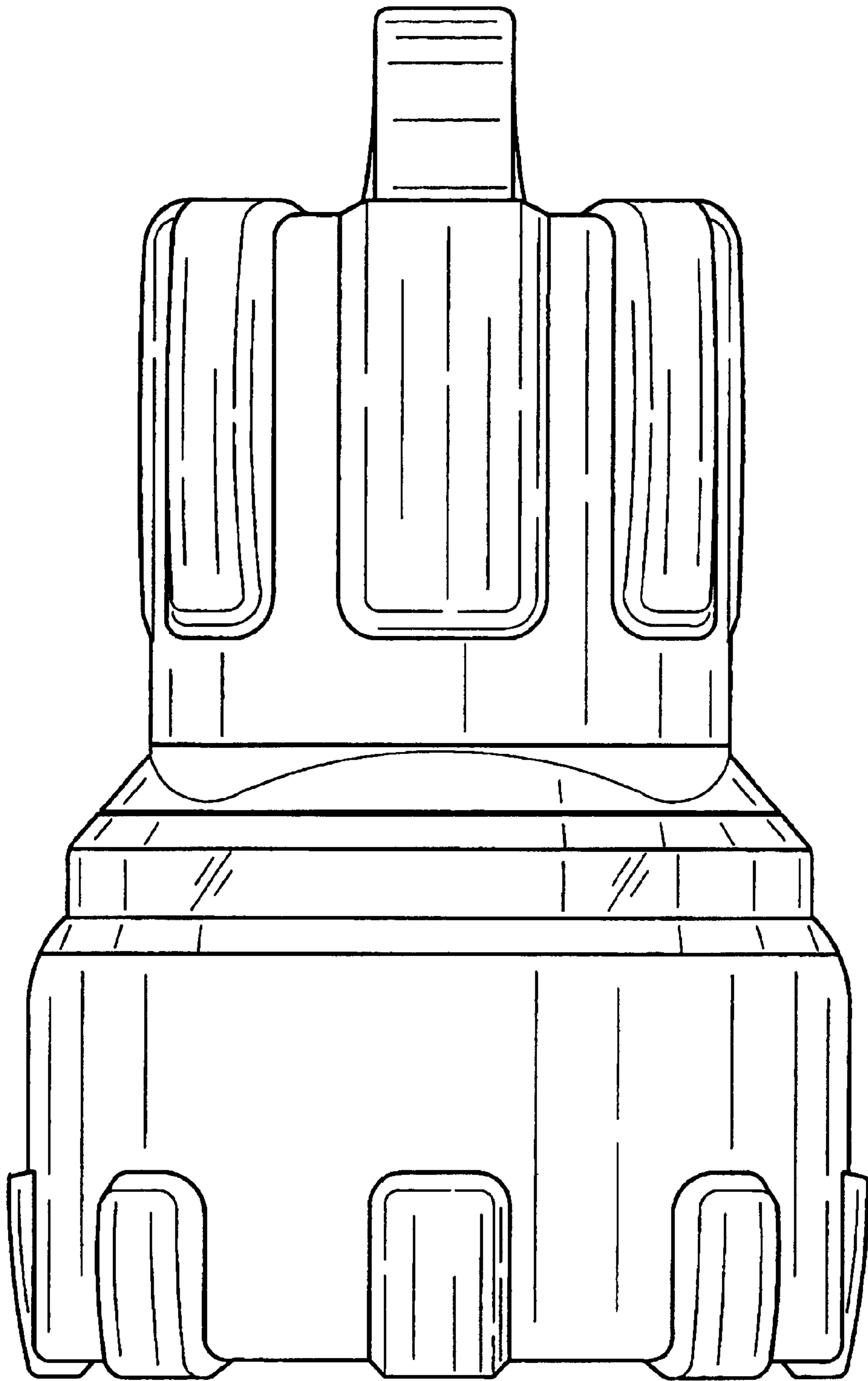


Fig. 4

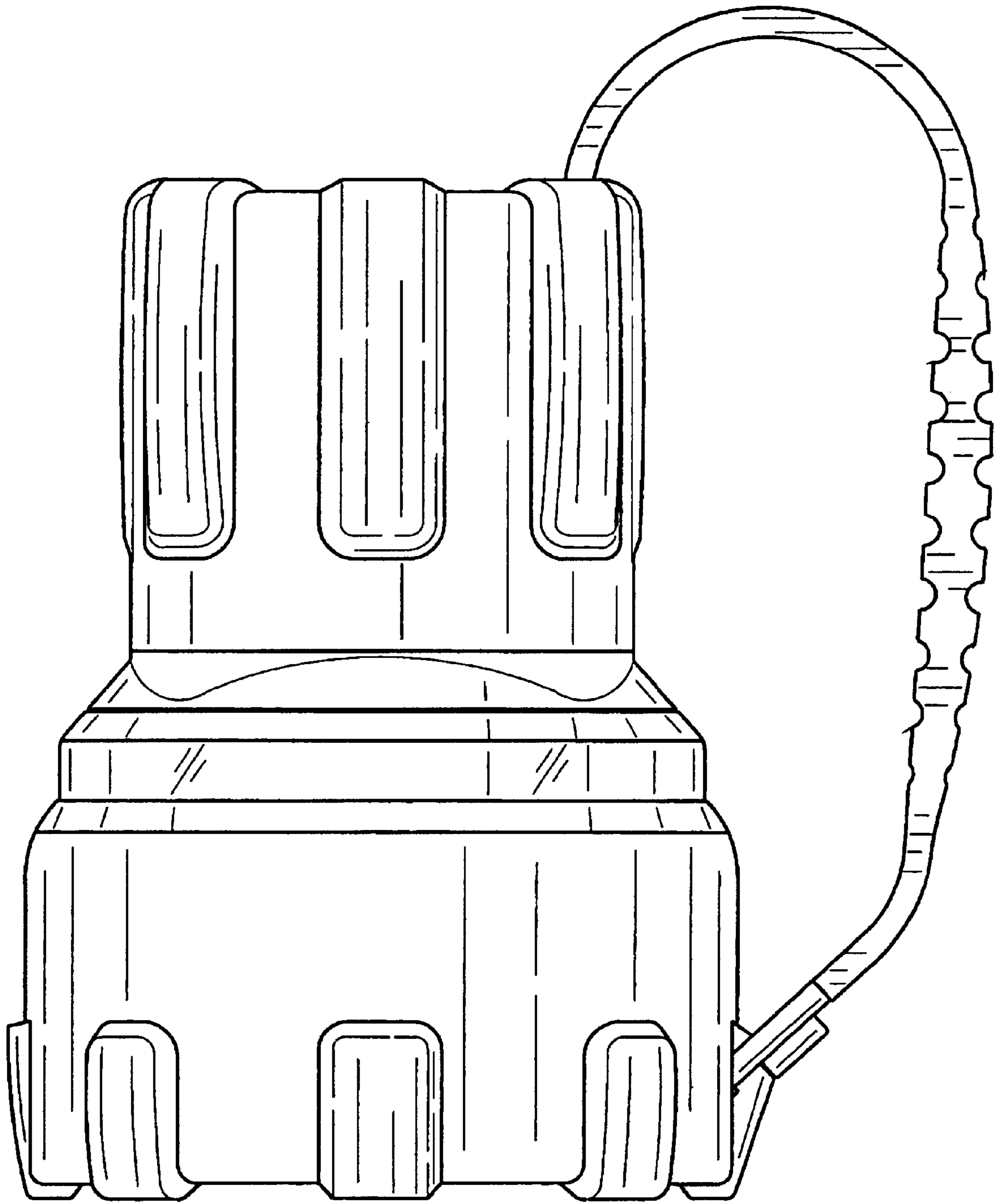


Fig. 5

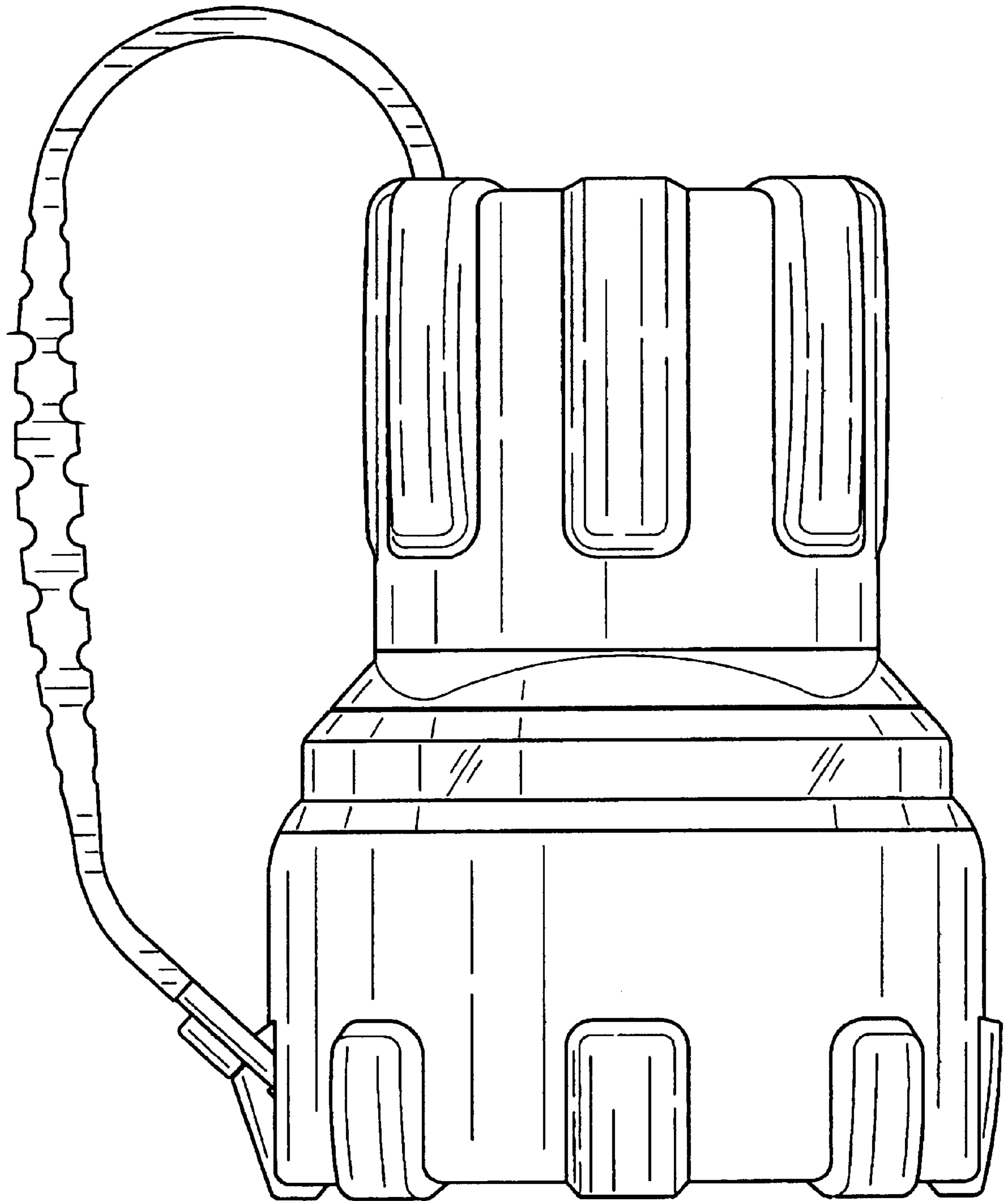


Fig. 6

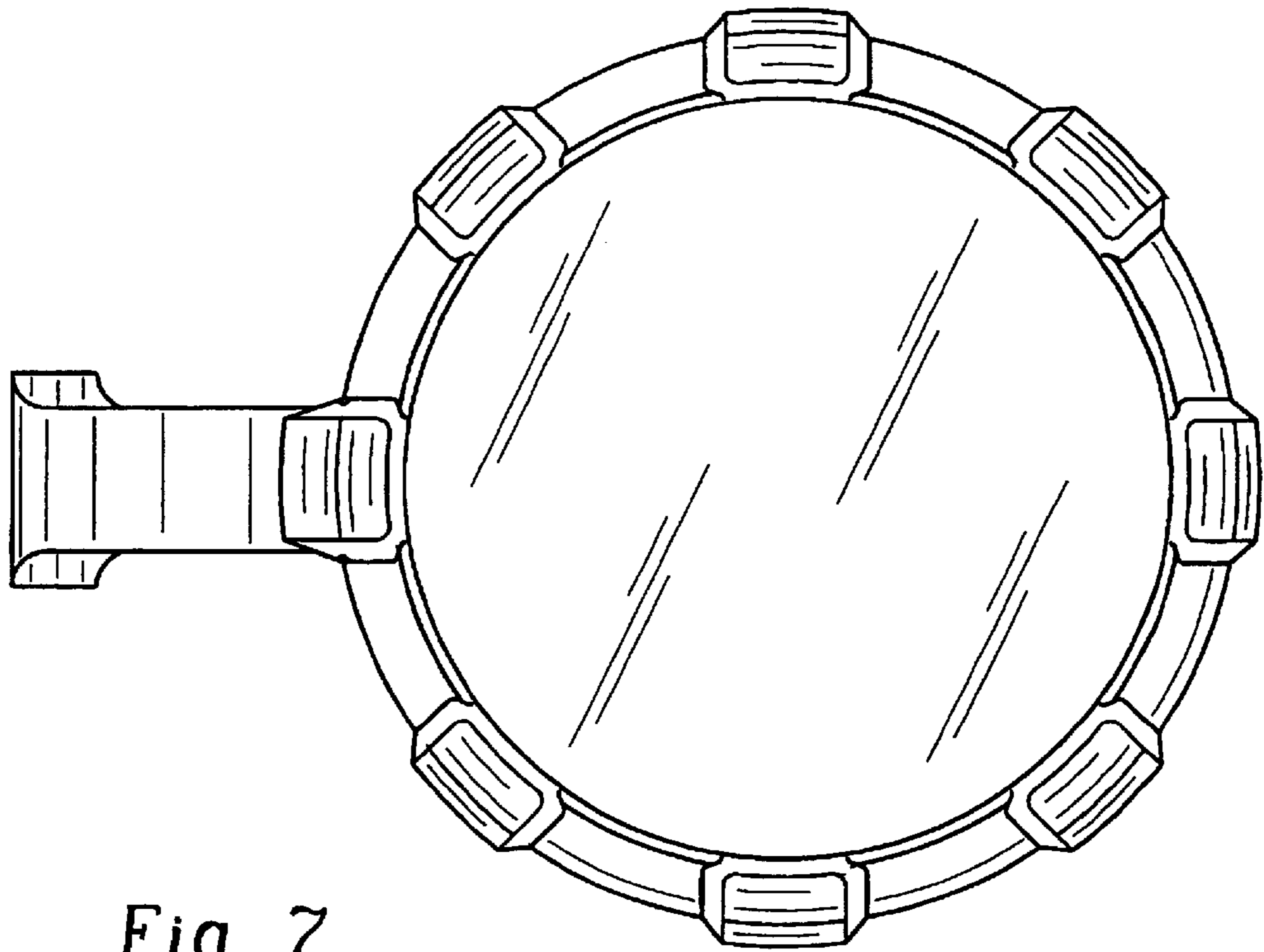


Fig. 7

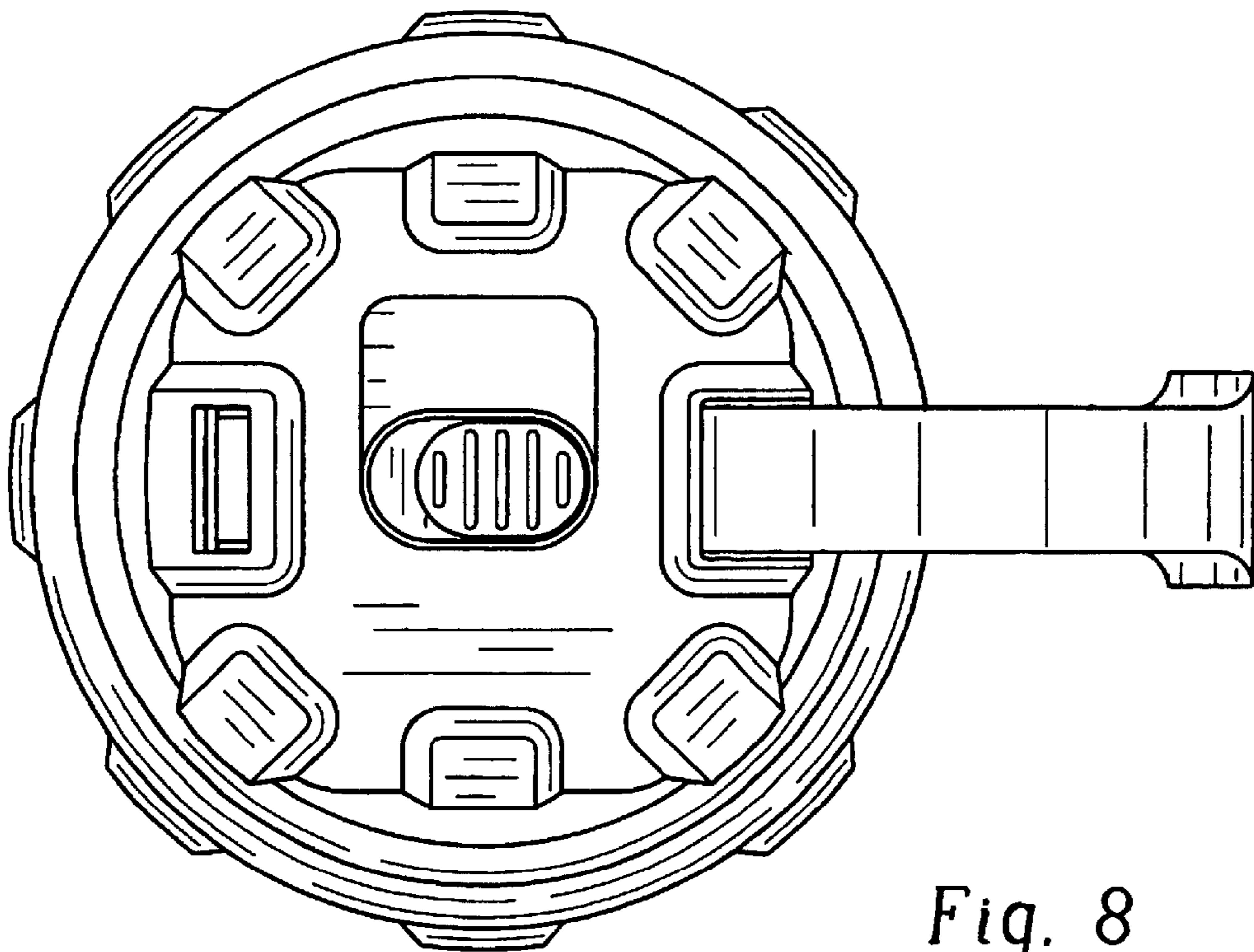


Fig. 8

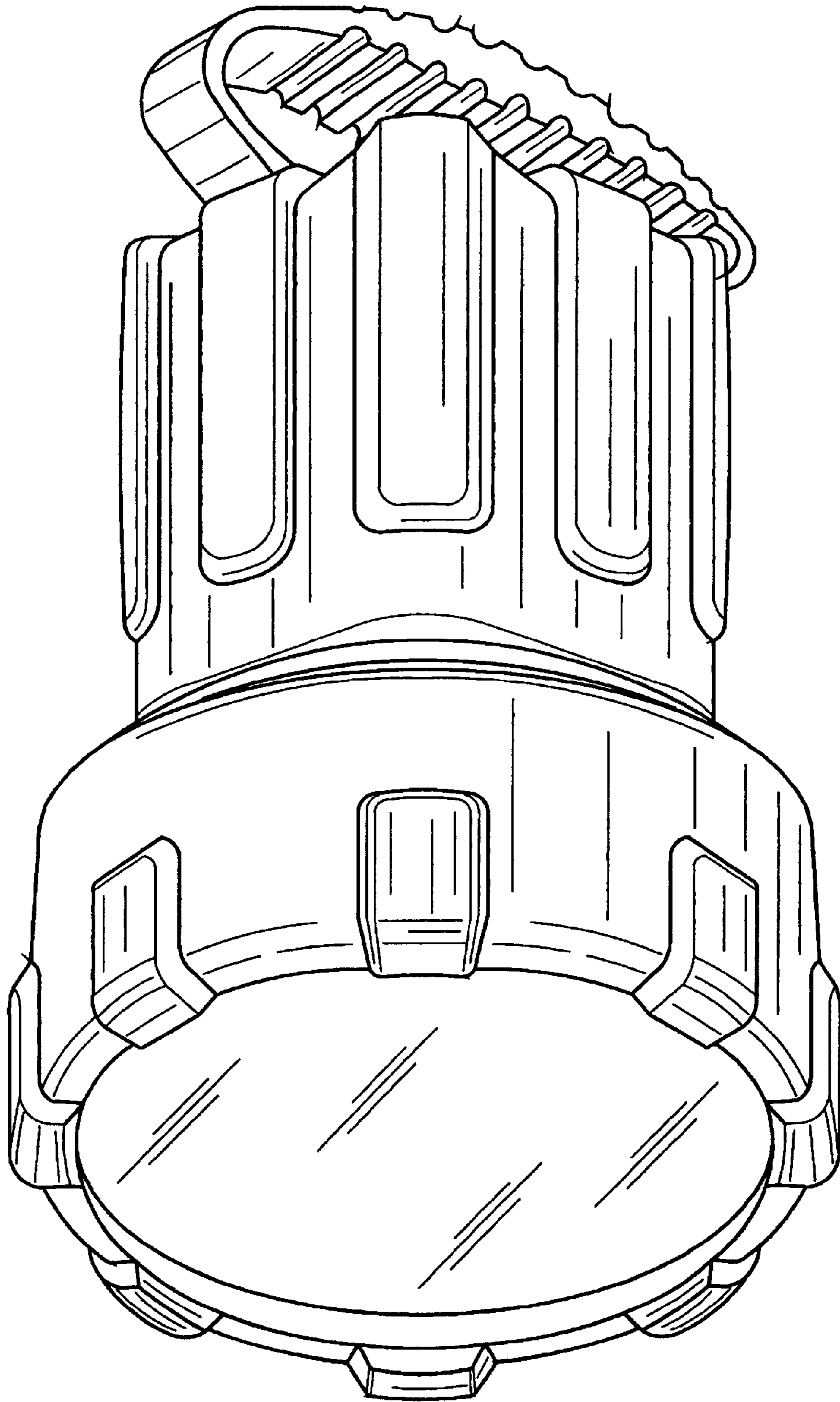


Fig. 9

Fig. 10

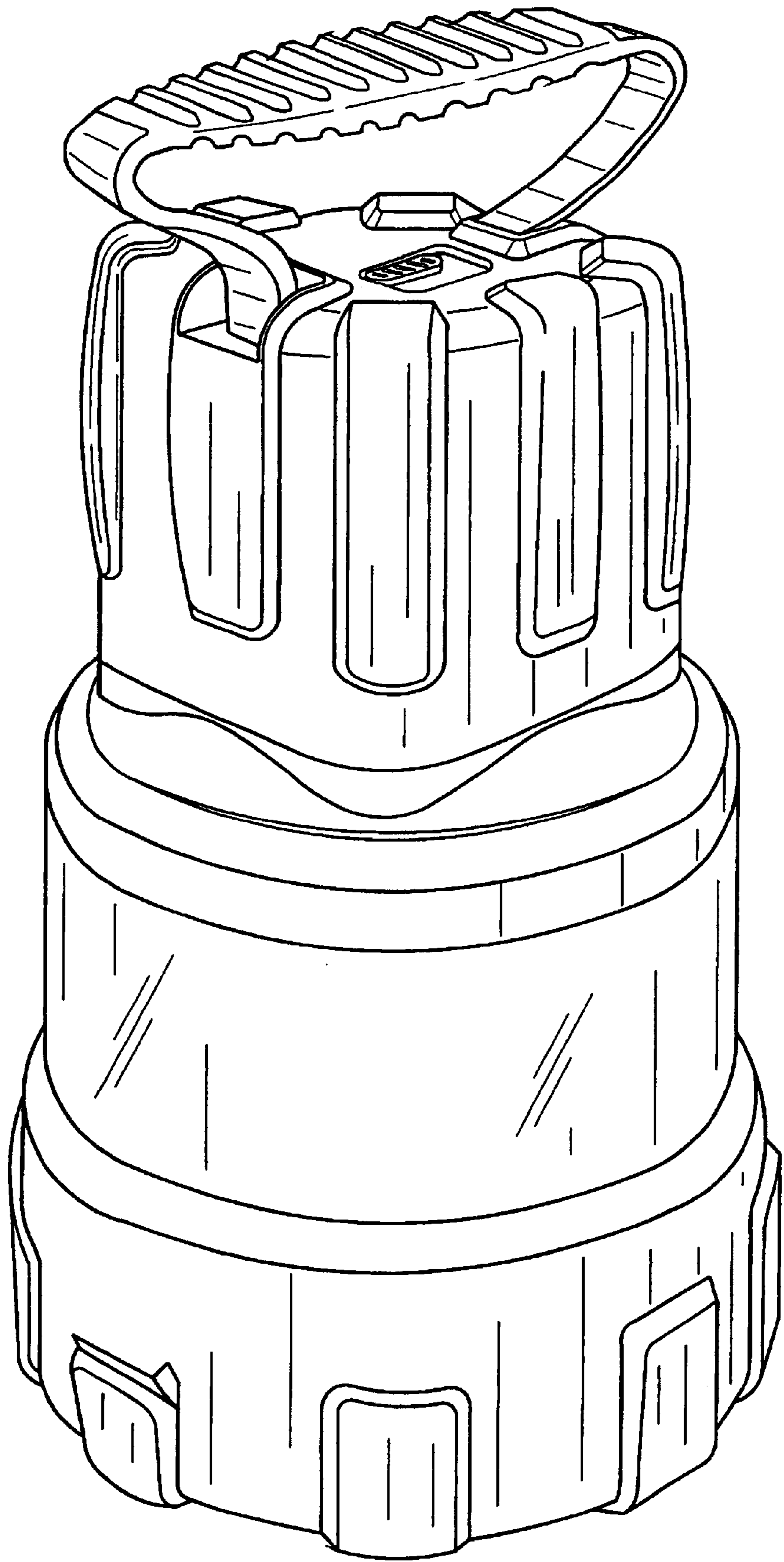


Fig. 11

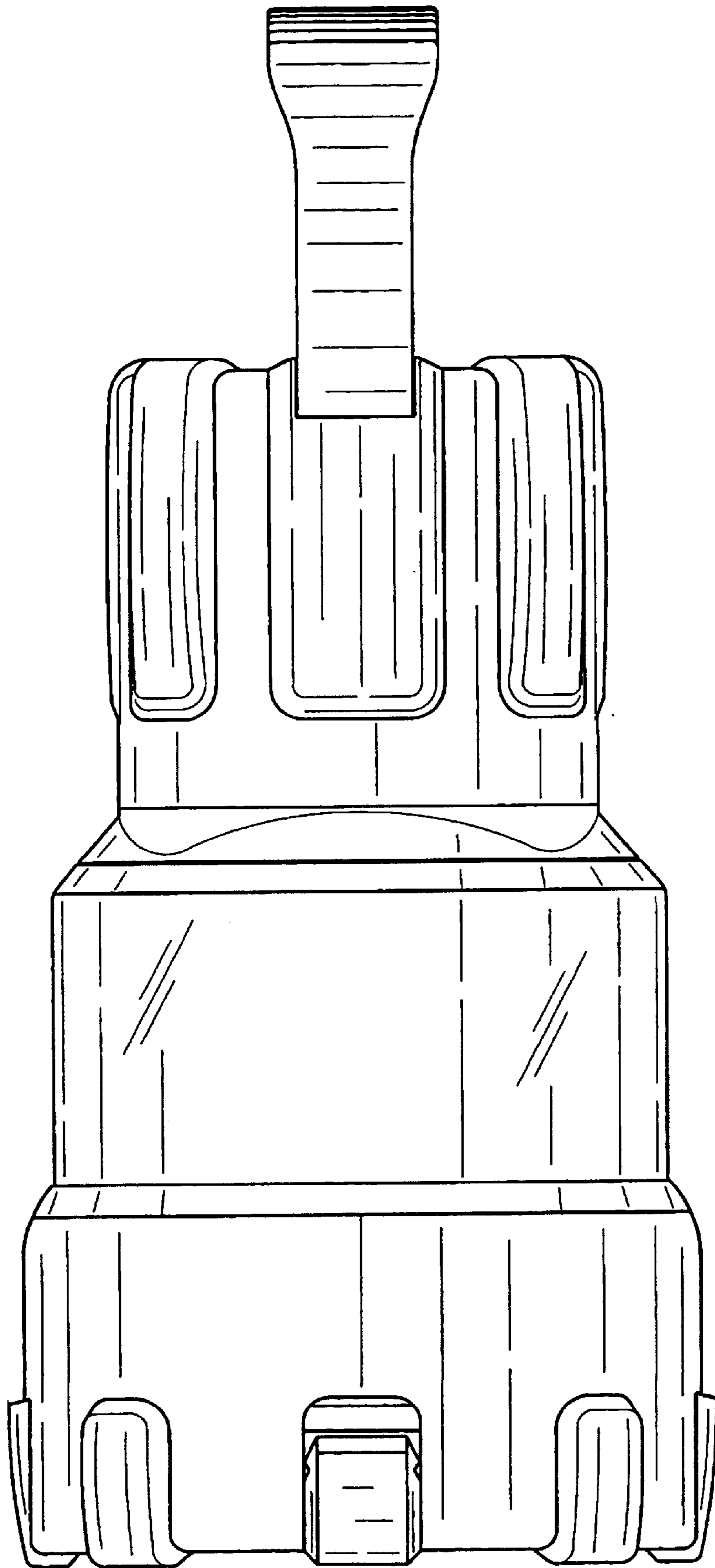
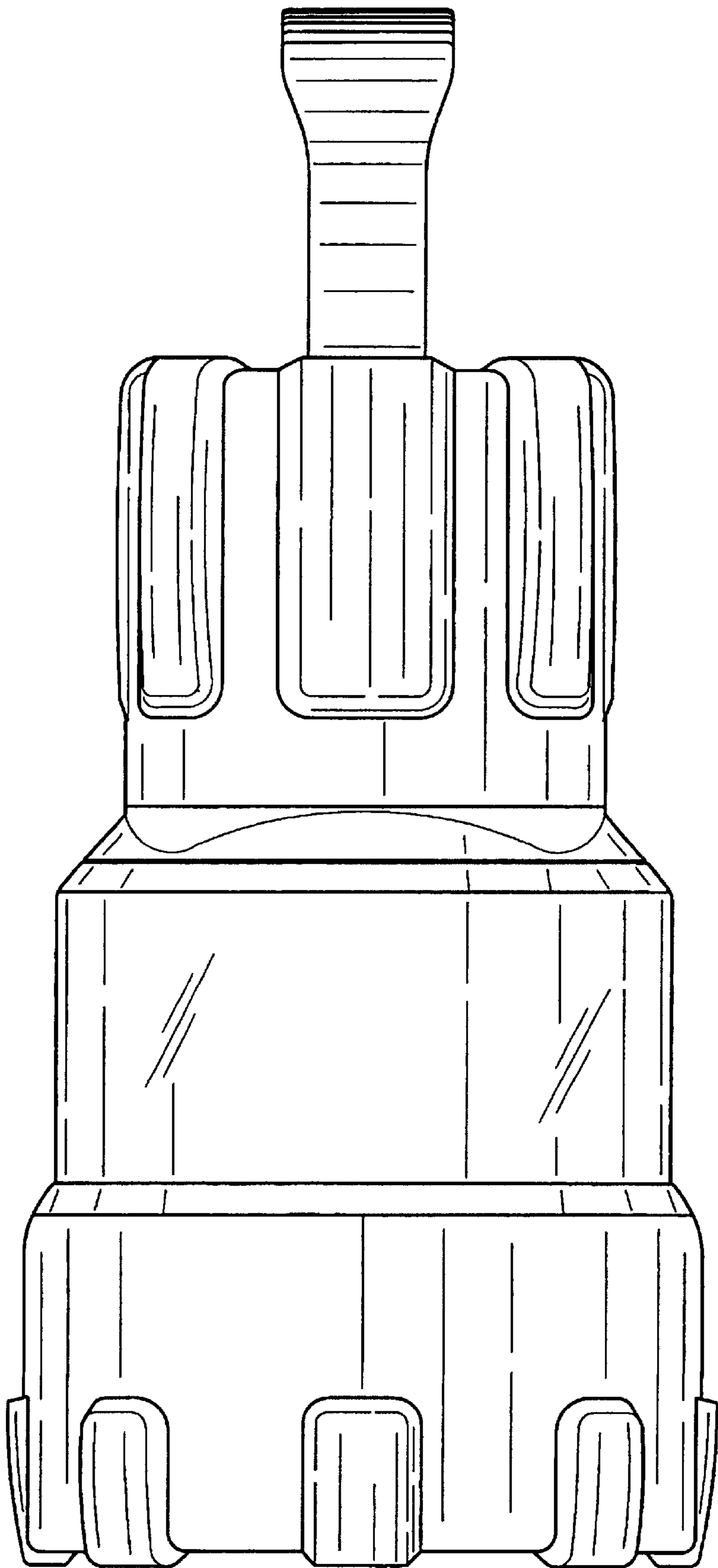


Fig. 12



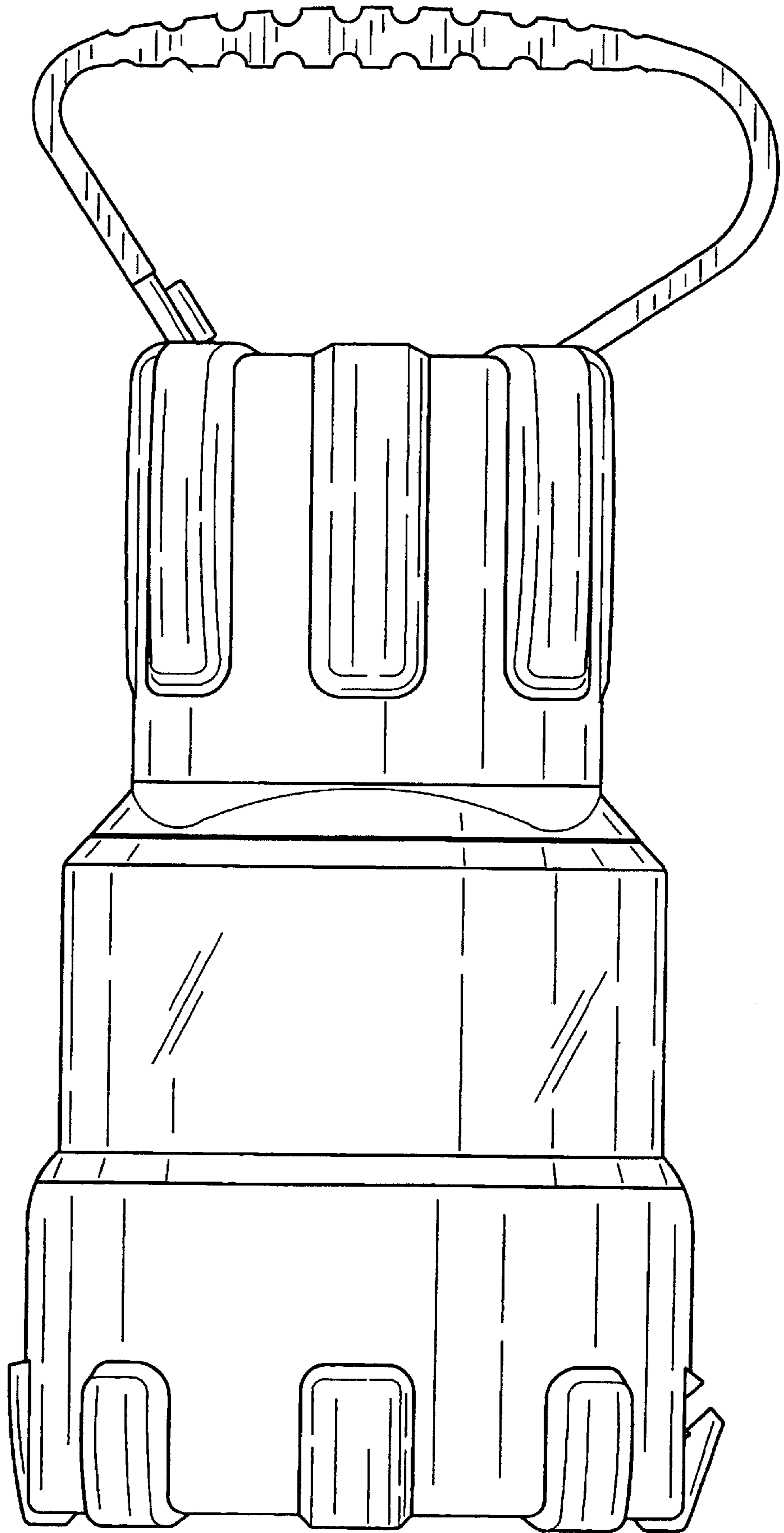


Fig. 13

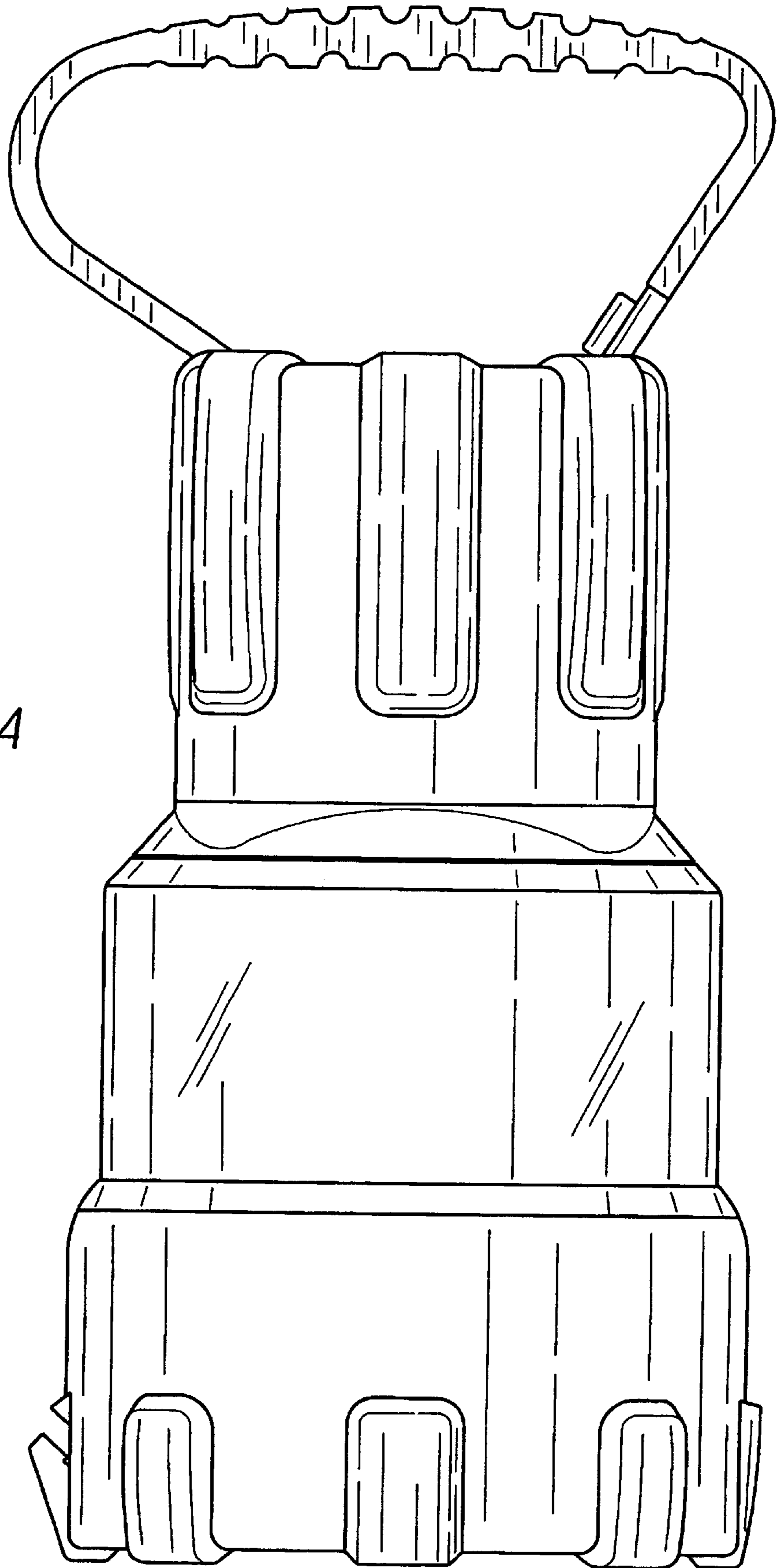


Fig. 14

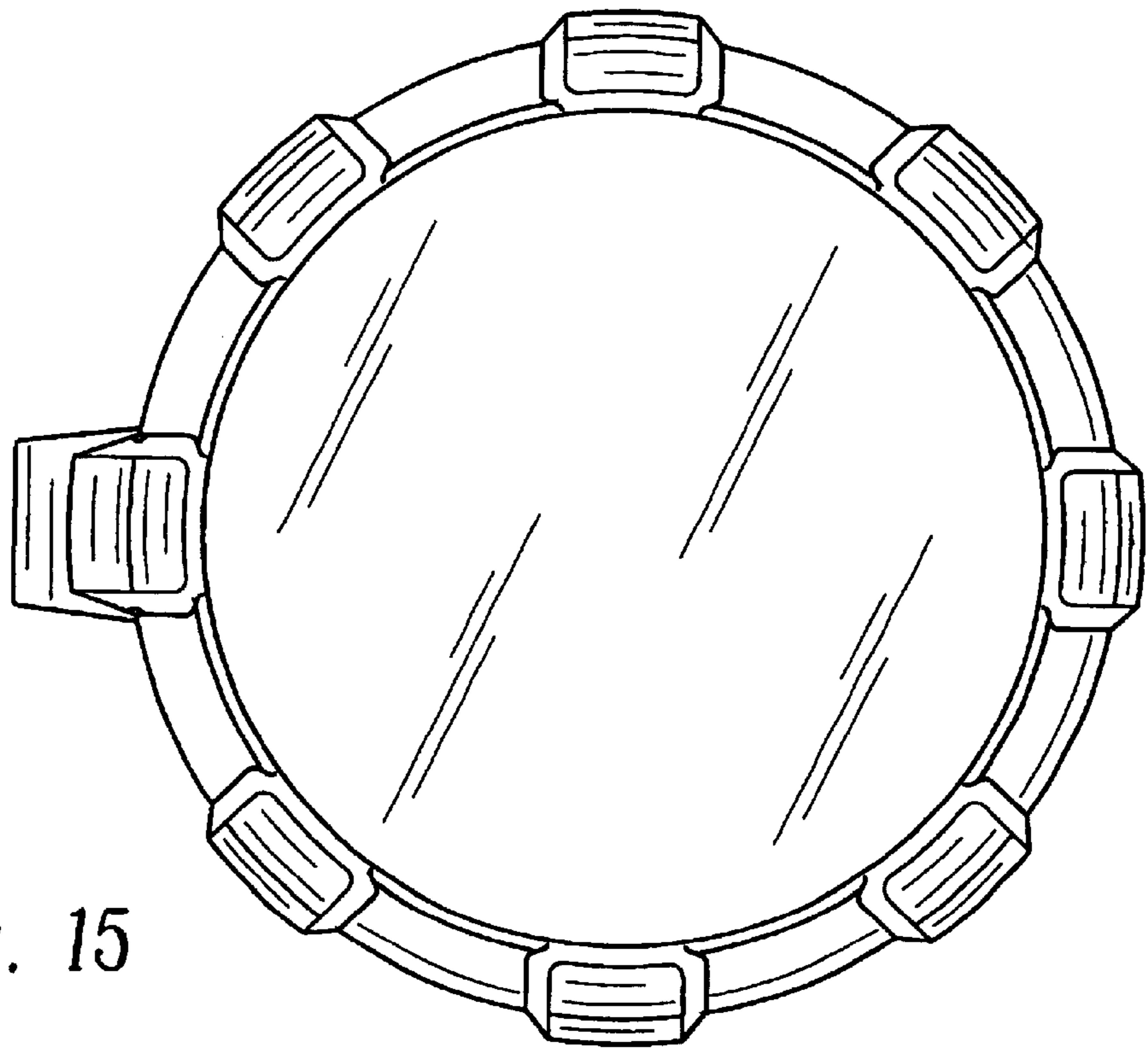


Fig. 15

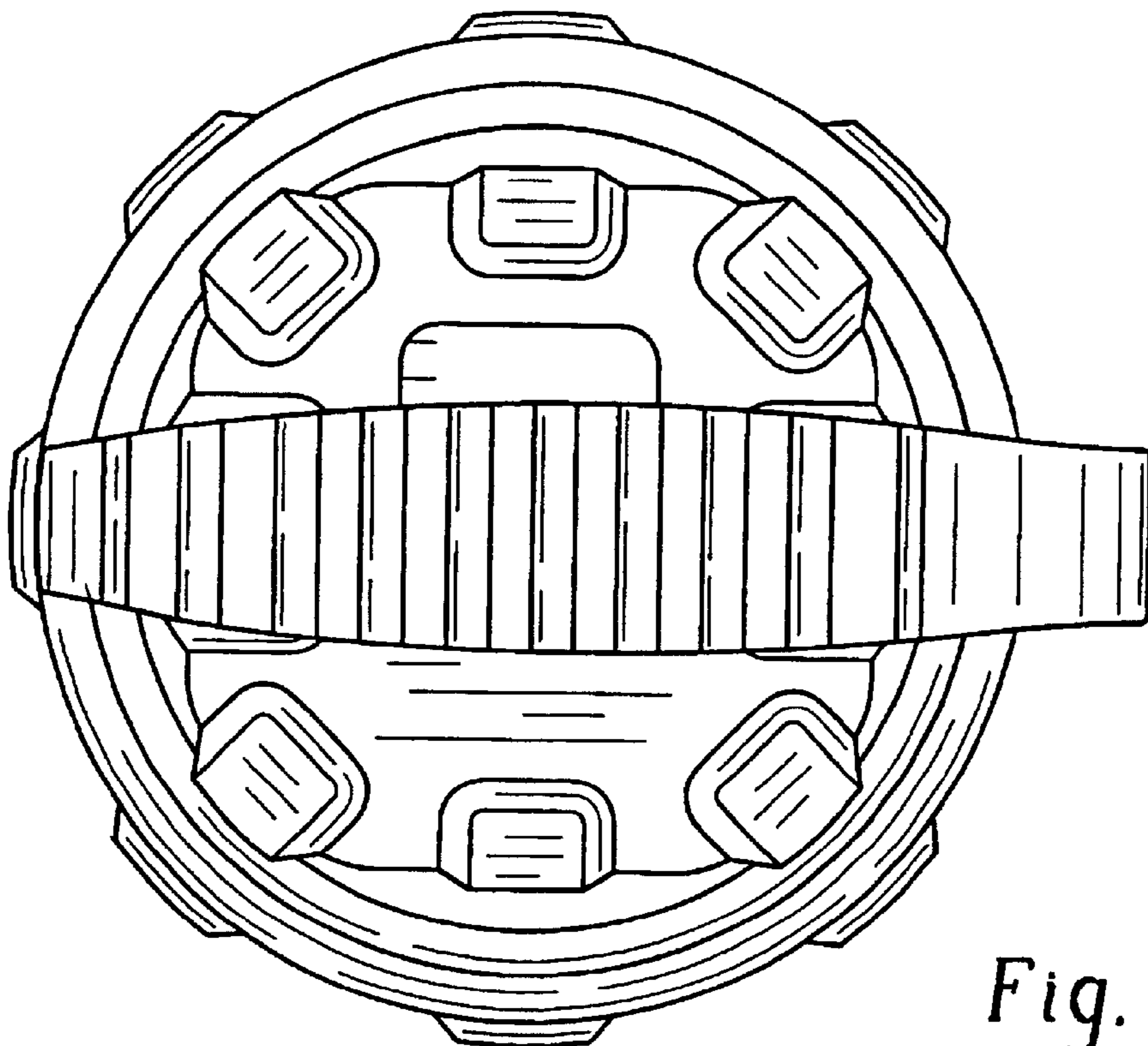


Fig. 16