



US00D481144S

(12) **United States Design Patent**
Takei

(10) **Patent No.:** **US D481,144 S**

(45) **Date of Patent:** **** Oct. 21, 2003**

(54) **FRONT COMBINATION LAMP FOR AN AUTOMOBILE**

1999 Toyota LAND CRUISER PRADO, Brochure of LAND CRUISER PRADO, Jun. 1999.

(75) Inventor: **Tatsuya Takei**, Aichi-ken (JP)

* cited by examiner

(73) Assignee: **Toyota Jidosha Kabushiki Kaisha (JP)**

Primary Examiner—Marcus A. Jackson

(**) Term: **14 Years**

(74) *Attorney, Agent, or Firm*—SAIDMAN DesignLaw Group

(21) Appl. No.: **29/172,983**

(22) Filed: **Dec. 20, 2002**

(51) **LOC (7) Cl.** **26-06**

(52) **U.S. Cl.** **D26/28**

(58) **Field of Search** D26/28–36; 362/61, 362/80, 81, 82, 83, 83.4, 267, 269, 275, 330–340

(57) **CLAIM**

The ornamental design for a front combination lamp for an automobile, as shown and described.

DESCRIPTION

FIG. 1 is a perspective view of a front combination lamp for an automobile showing my new design;

FIG. 2 is a front view thereof;

FIG. 3 is a rear view thereof;

FIG. 4 is a left side view thereof;

FIG. 5 is a right side view thereof;

FIG. 6 is a top view thereof; and,

FIG. 7 is a bottom view thereof.

(56) **References Cited**

U.S. PATENT DOCUMENTS

D406,910 S * 3/1999 Bangle D26/28

D473,665 S * 4/2003 Tanabe et al. D26/28

OTHER PUBLICATIONS

1997 Toyota HARRIER, Brochure of HARRIER, Dec. 1997.

2000 Toyota LANDCRUISER PRADO, Brochure of HARRIER, Nov. 2000.

1 Claim, 3 Drawing Sheets





FIG. 1

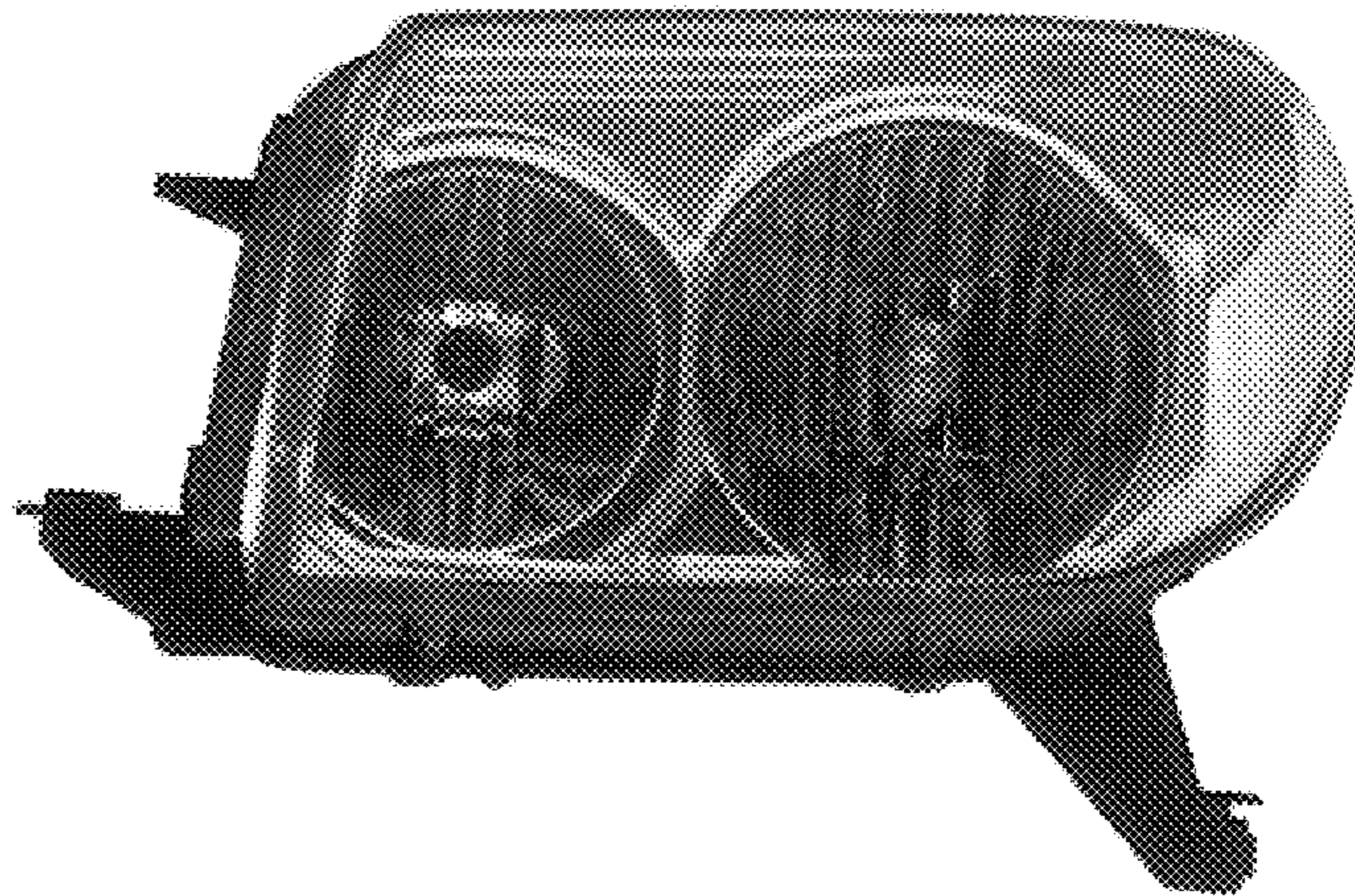


FIG. 2

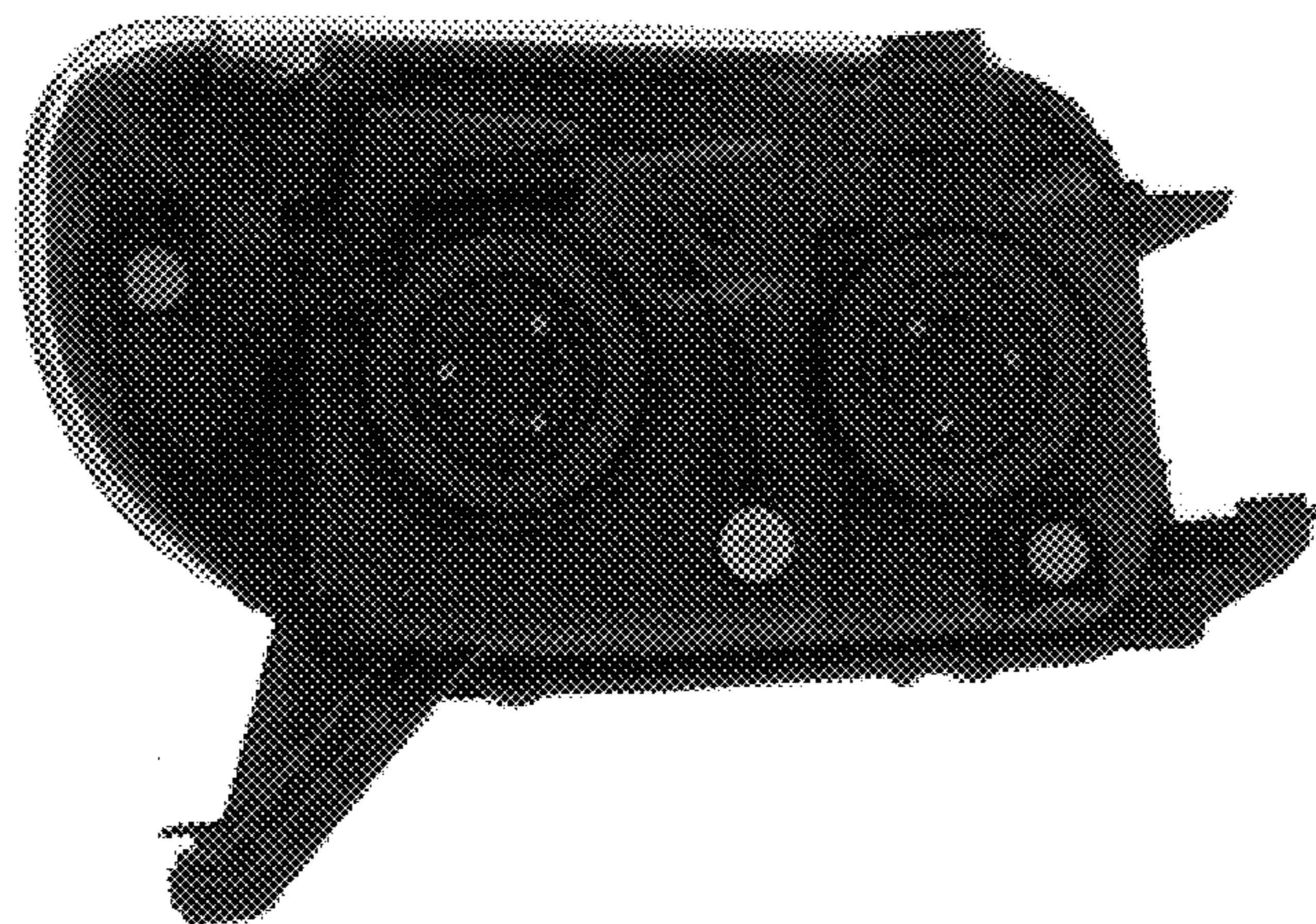


FIG. 3

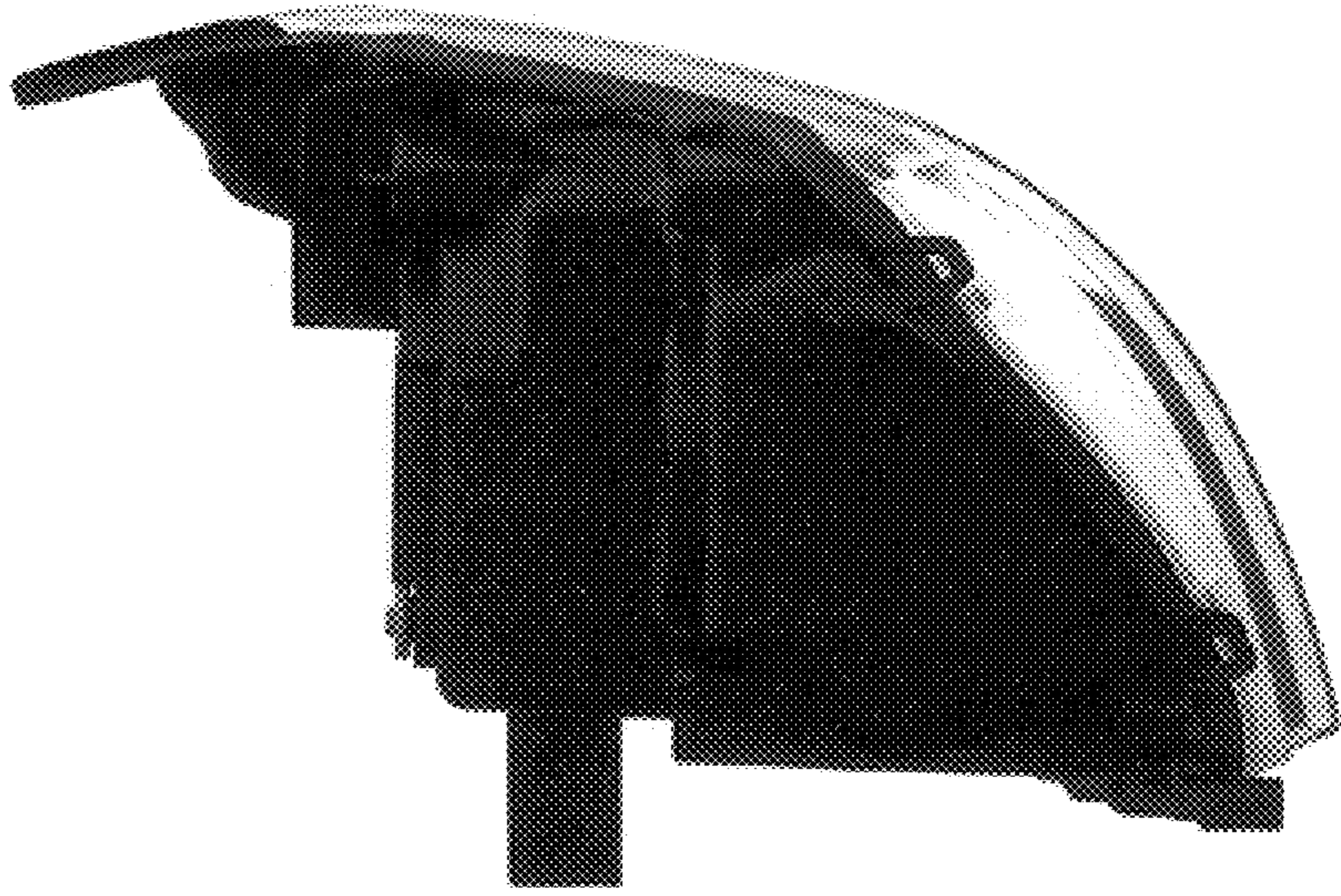


FIG. 4



FIG. 5

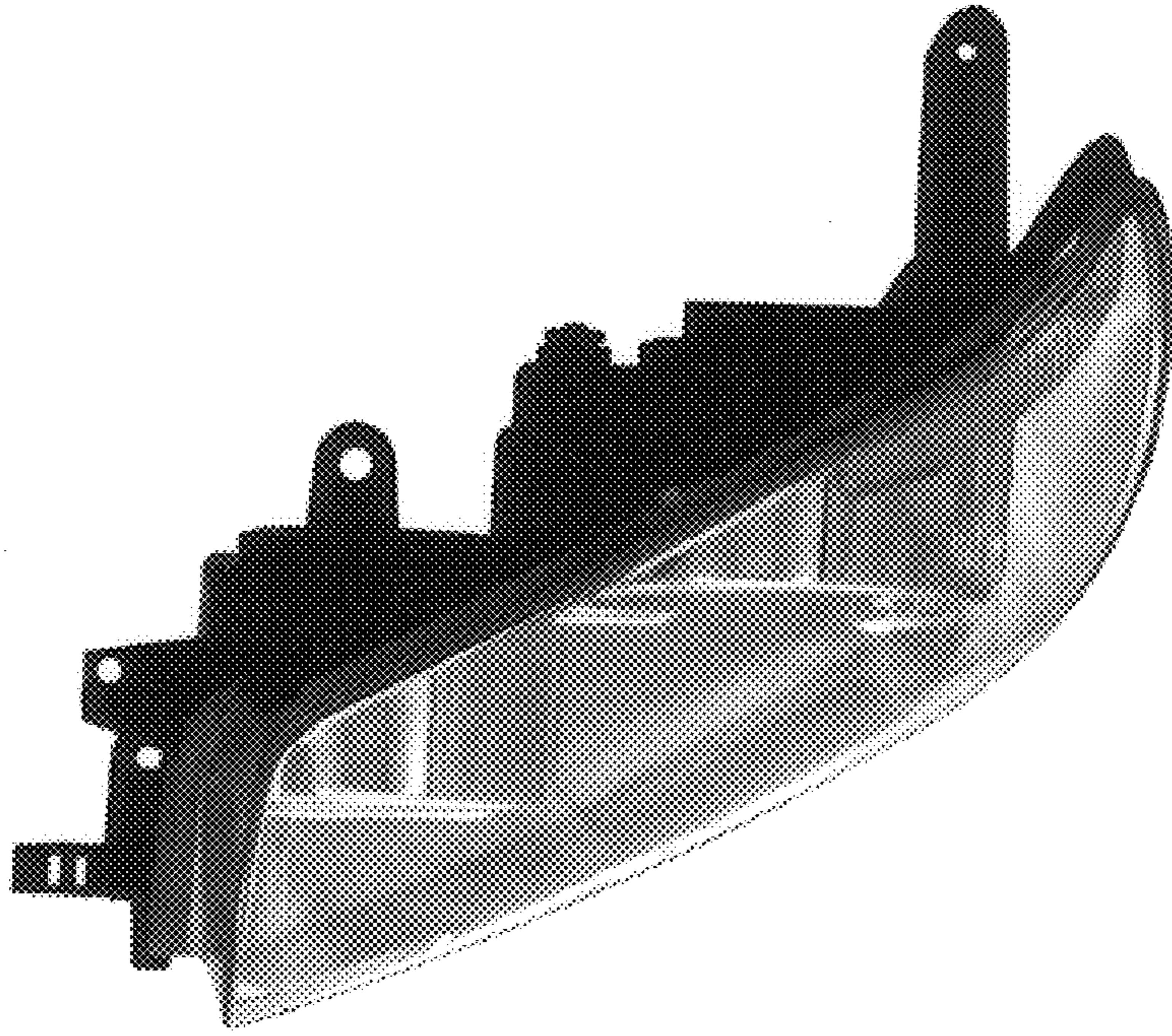


FIG. 6

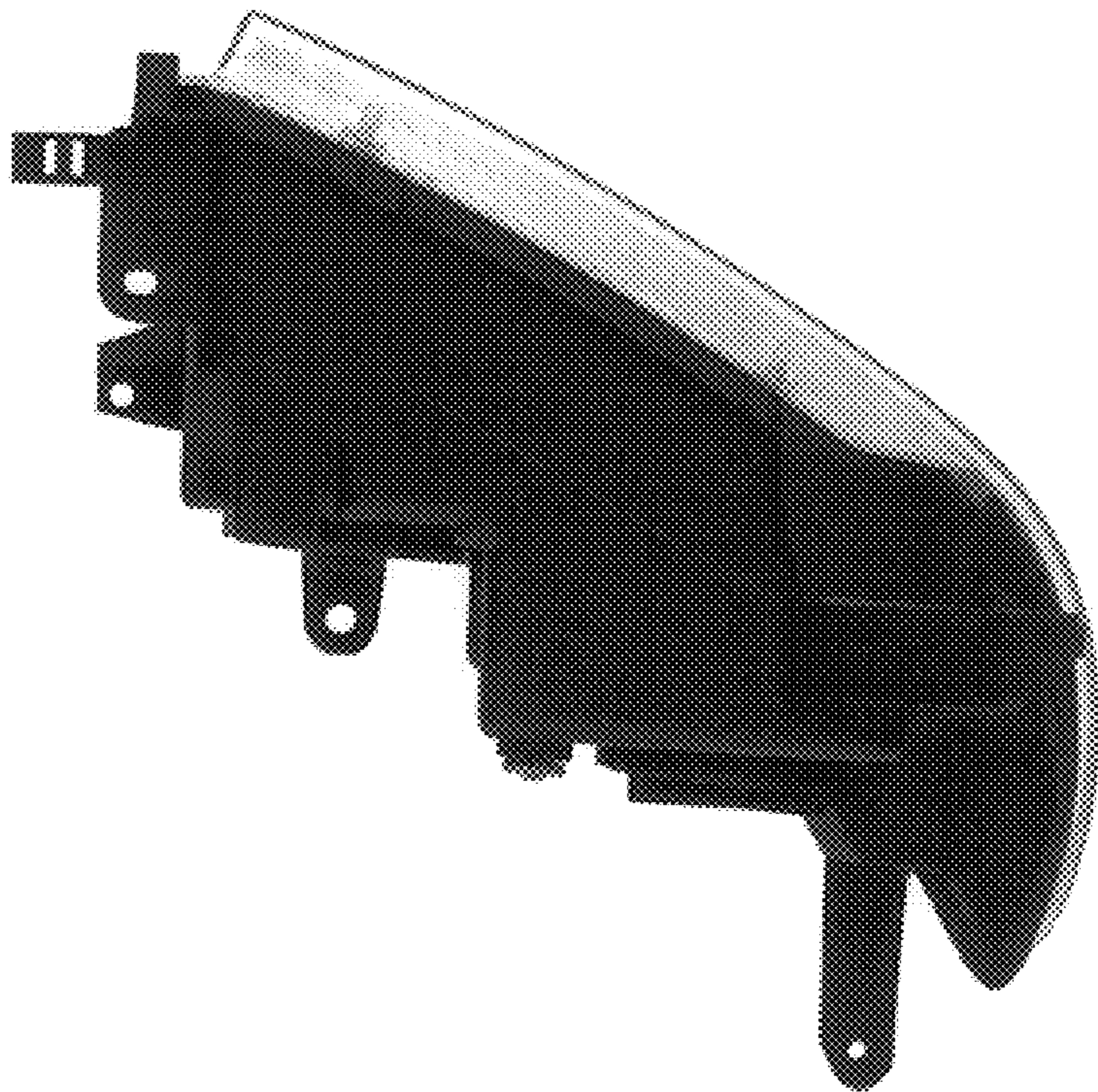


FIG. 7