



US00D481142S

(12) **United States Design Patent**
Leeds

(10) **Patent No.:** **US D481,142 S**

(45) **Date of Patent:** **** Oct. 21, 2003**

(54) **DECORATIVE CANDLE**

(75) Inventor: **Harlan Scott Leeds**, Dallas, TX (US)

(73) Assignee: **Lush Candles, Inc.**, Dallas, TX (US)

(**) Term: **14 Years**

(21) Appl. No.: **29/172,937**

(22) Filed: **Dec. 20, 2002**

(51) **LOC (7) Cl.** **26-04**

(52) **U.S. Cl.** **D26/6**

(58) **Field of Search** D26/6, 7, 9, 10;
431/288, 291

(56) **References Cited**

U.S. PATENT DOCUMENTS

D111,775 S	*	10/1938	Seaver	D26/6
D178,200 S	*	7/1956	McKenzie et al.	D26/6
3,983,677 A	*	10/1976	Lundbom	53/415
D456,537 S	*	4/2002	Leeds	D26/6
D458,394 S	*	6/2002	Leeds	D26/6
D466,632 S	*	12/2002	Lablaine	D26/6

OTHER PUBLICATIONS

Illuminations catalog 1996; *Jeweled Pillars*; p. 12.*

* cited by examiner

Primary Examiner—Robin V. Taylor

(74) *Attorney, Agent, or Firm*—Locke Liddell & Sapp LLP

(57) **CLAIM**

The ornamental design for a decorative candle, as shown and described.

DESCRIPTION

FIG. 1 is a front perspective view showing my design, the rear view being a mirror image thereof;

FIG. 2 is a top view thereof;

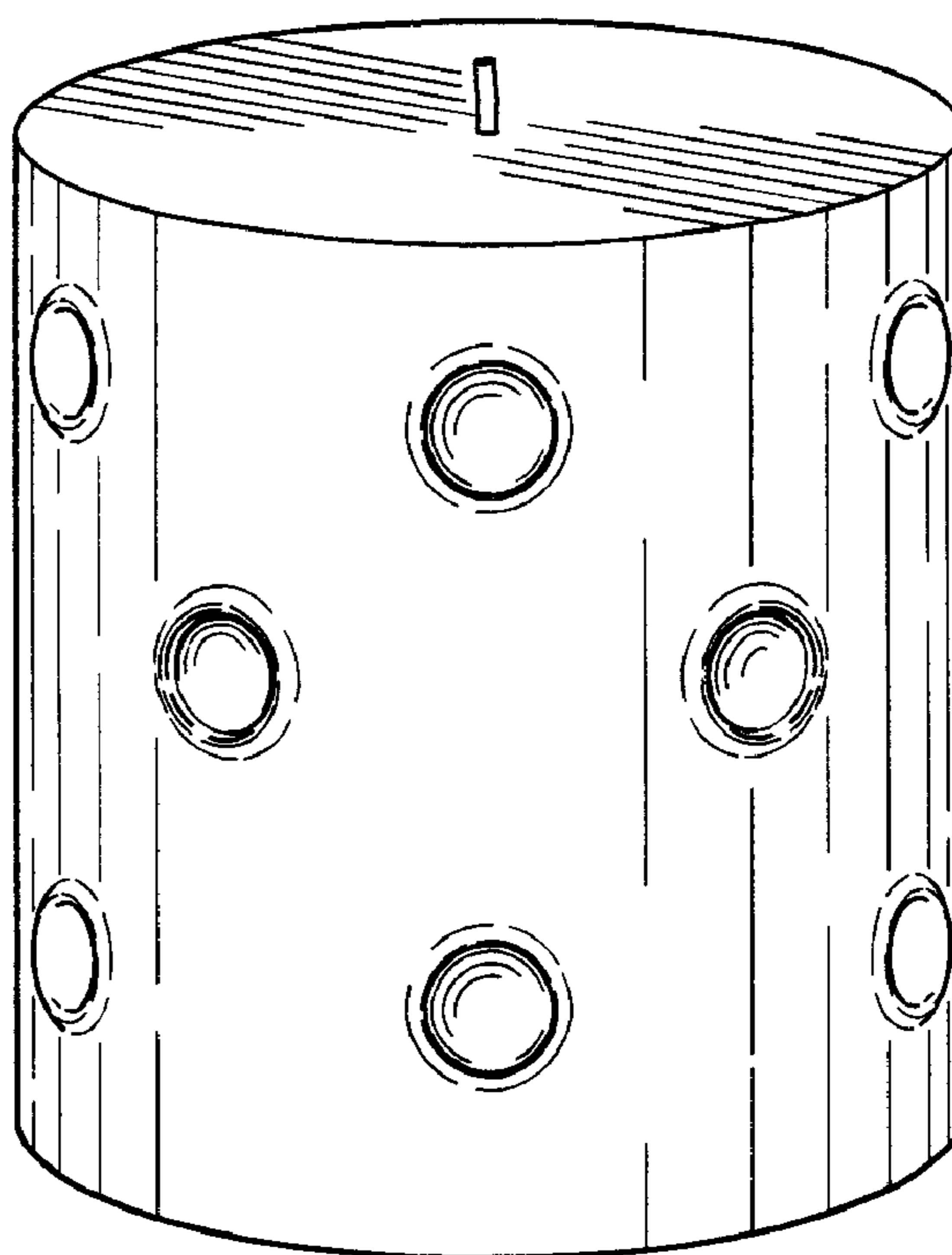
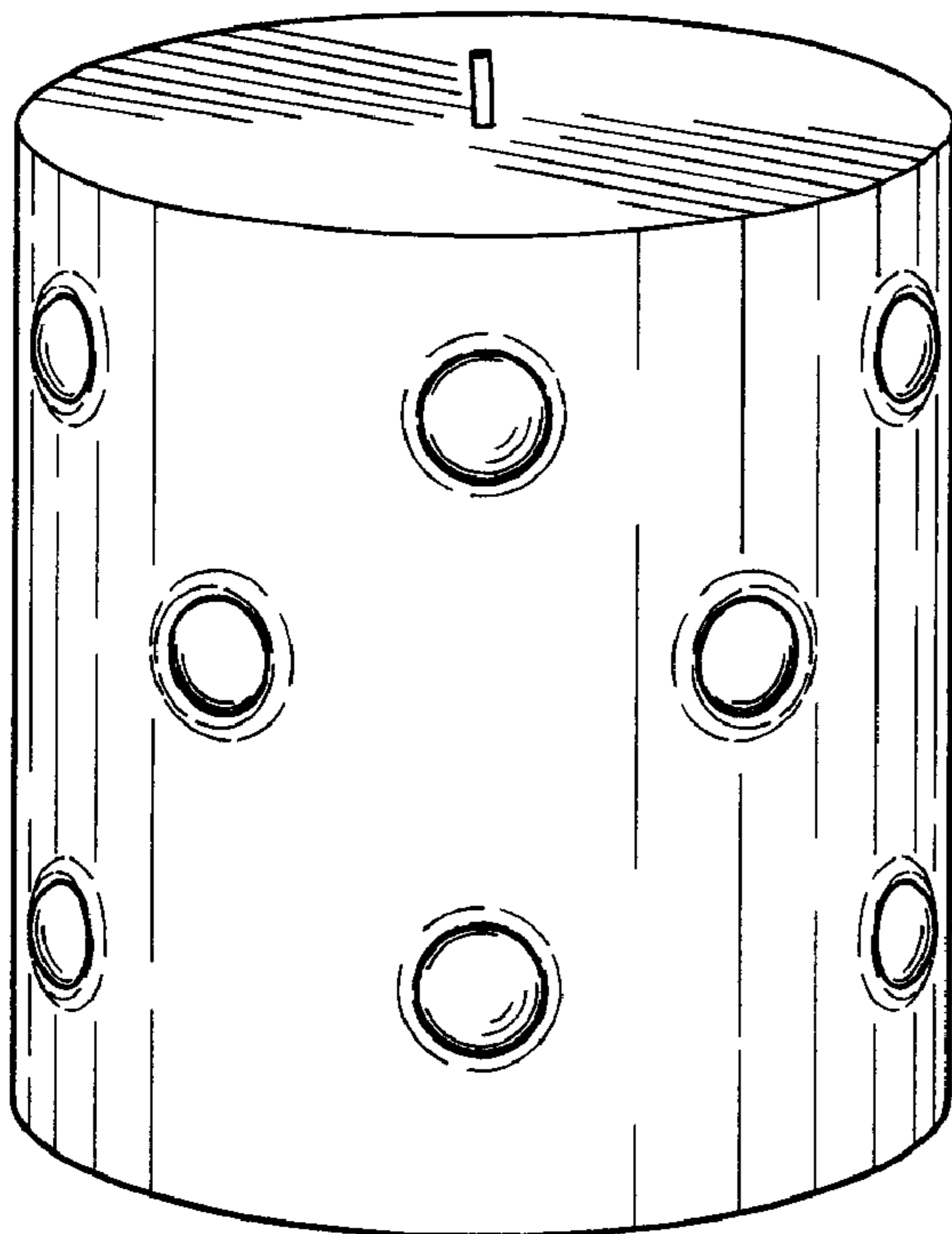
FIG. 3 is a bottom of the decorative candle;

FIG. 4 is a front perspective view of an additional embodiment of a decorative candle showing my design, the rear view being a mirror image thereof;

FIG. 5 is a top view of the decorative candle shown in FIG. 4; and,

FIG. 6 is a bottom view of the decorative candle shown in FIG. 4.

1 Claim, 2 Drawing Sheets



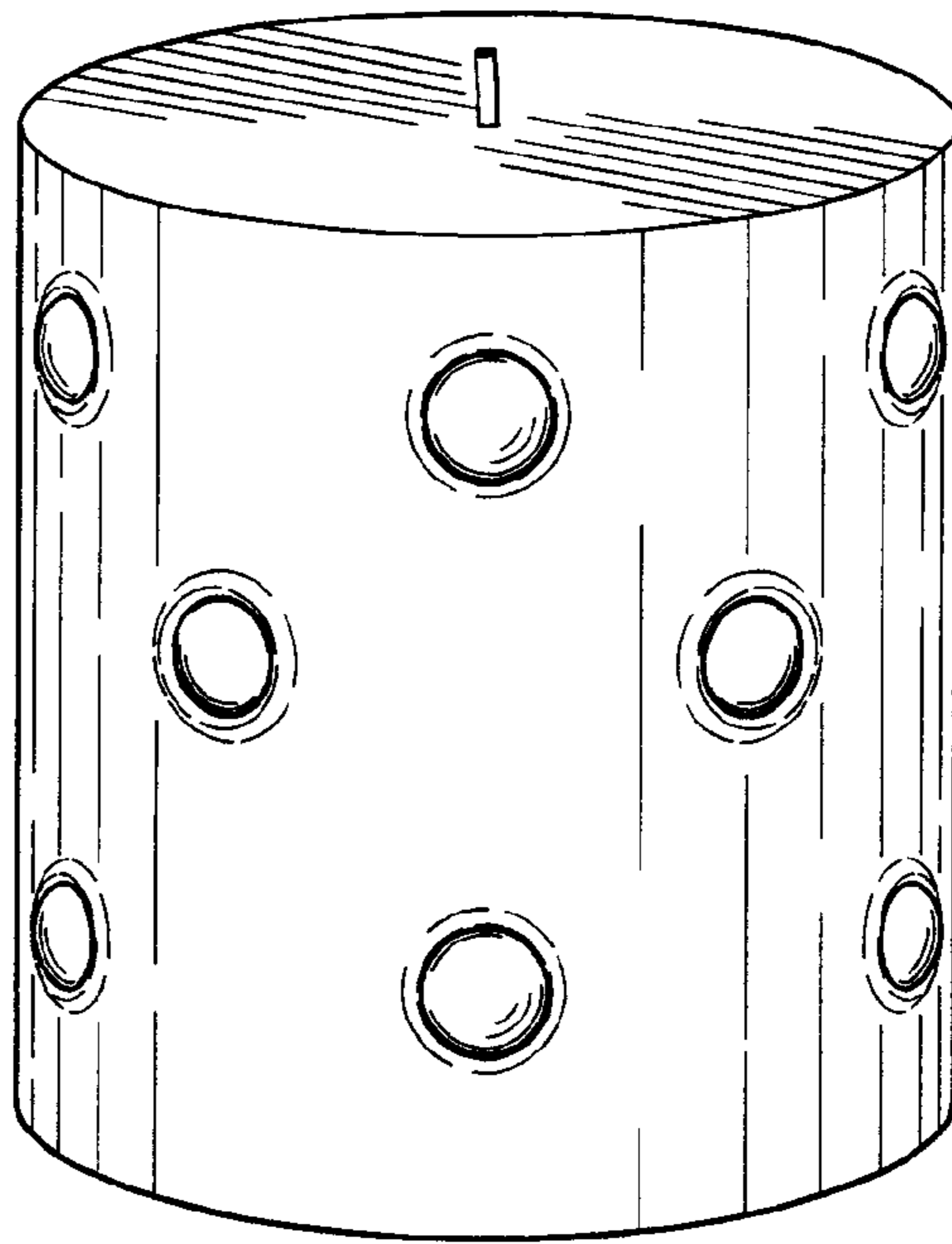


FIG. 1

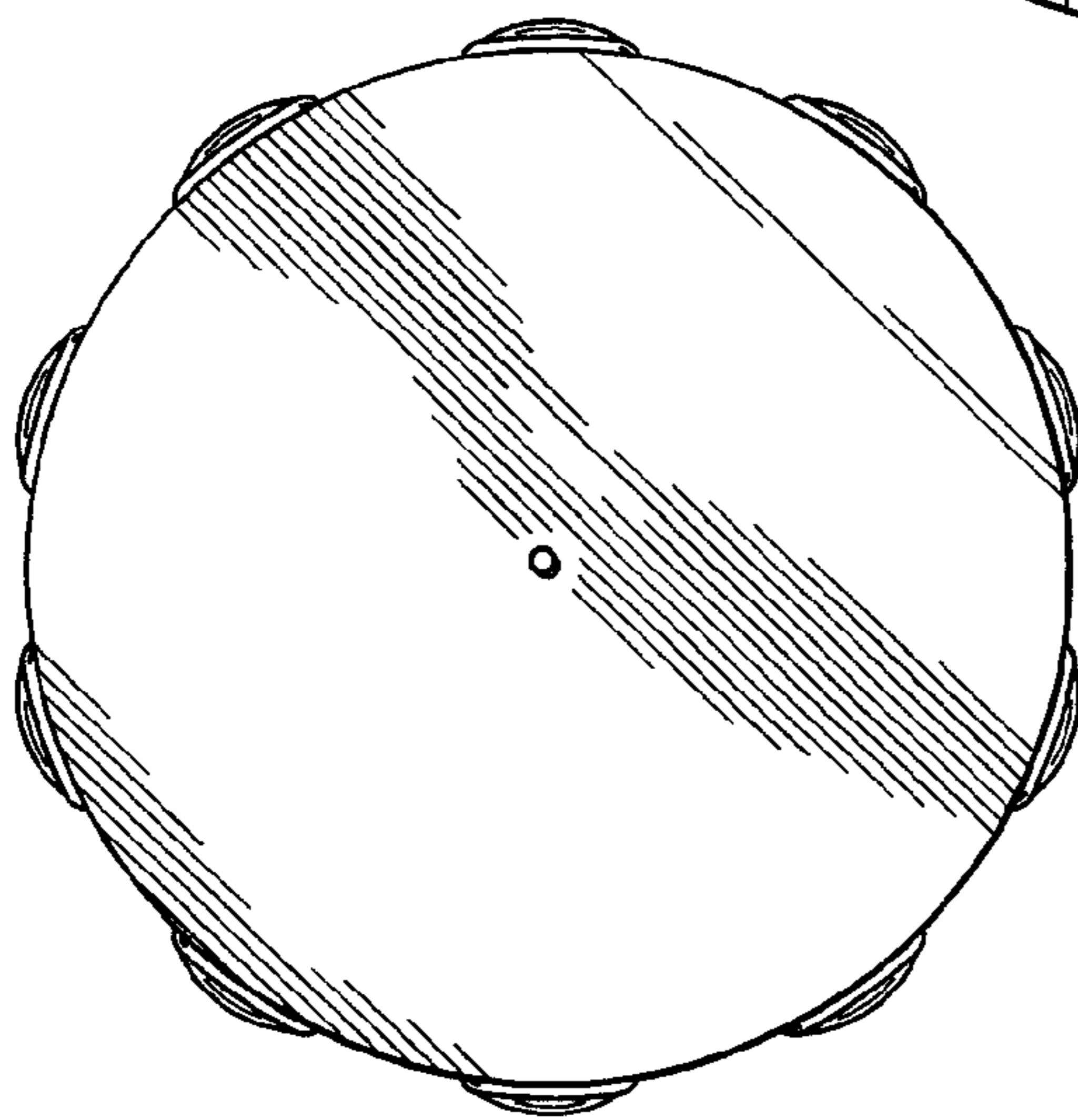


FIG. 2

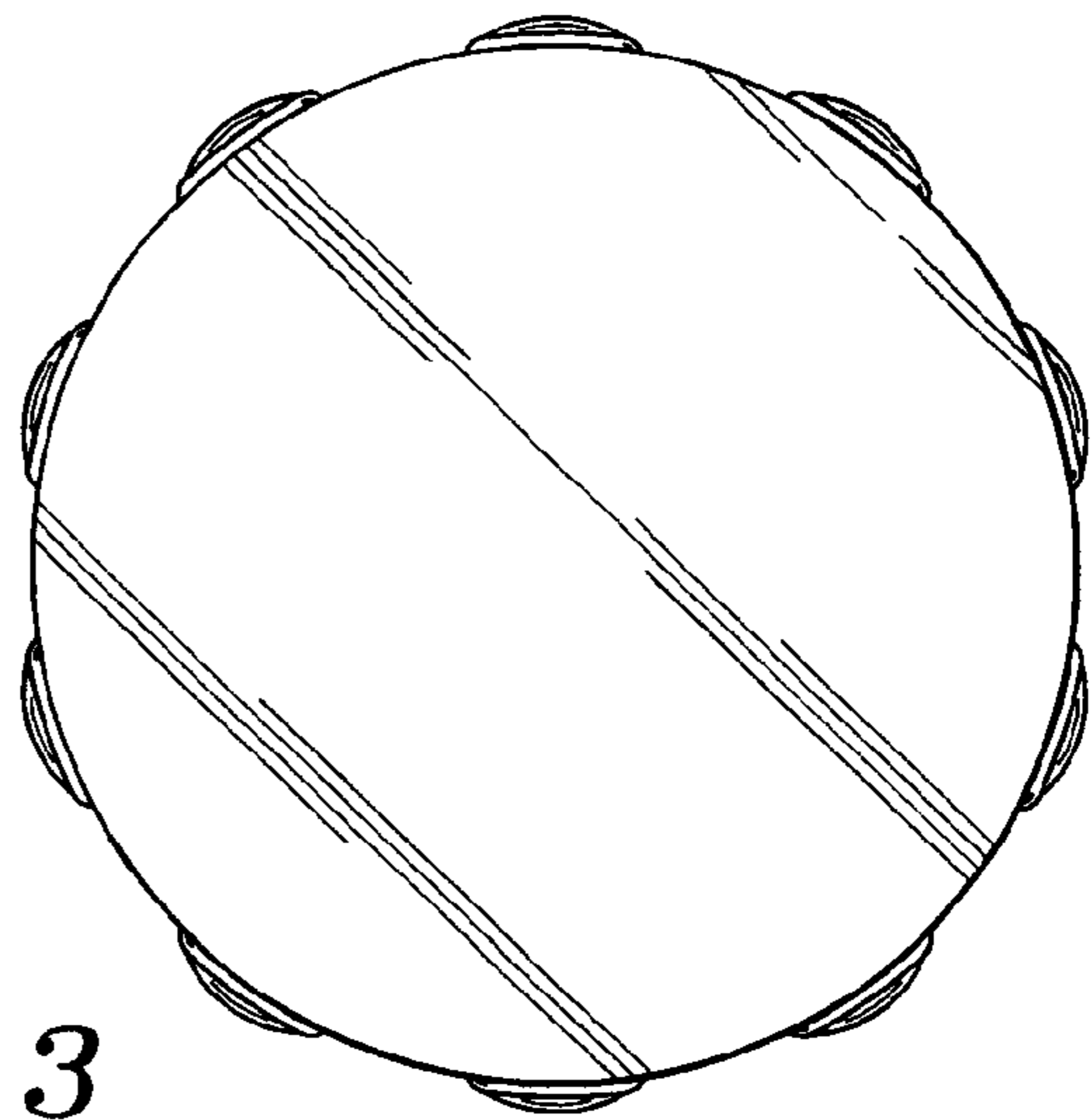


FIG. 3

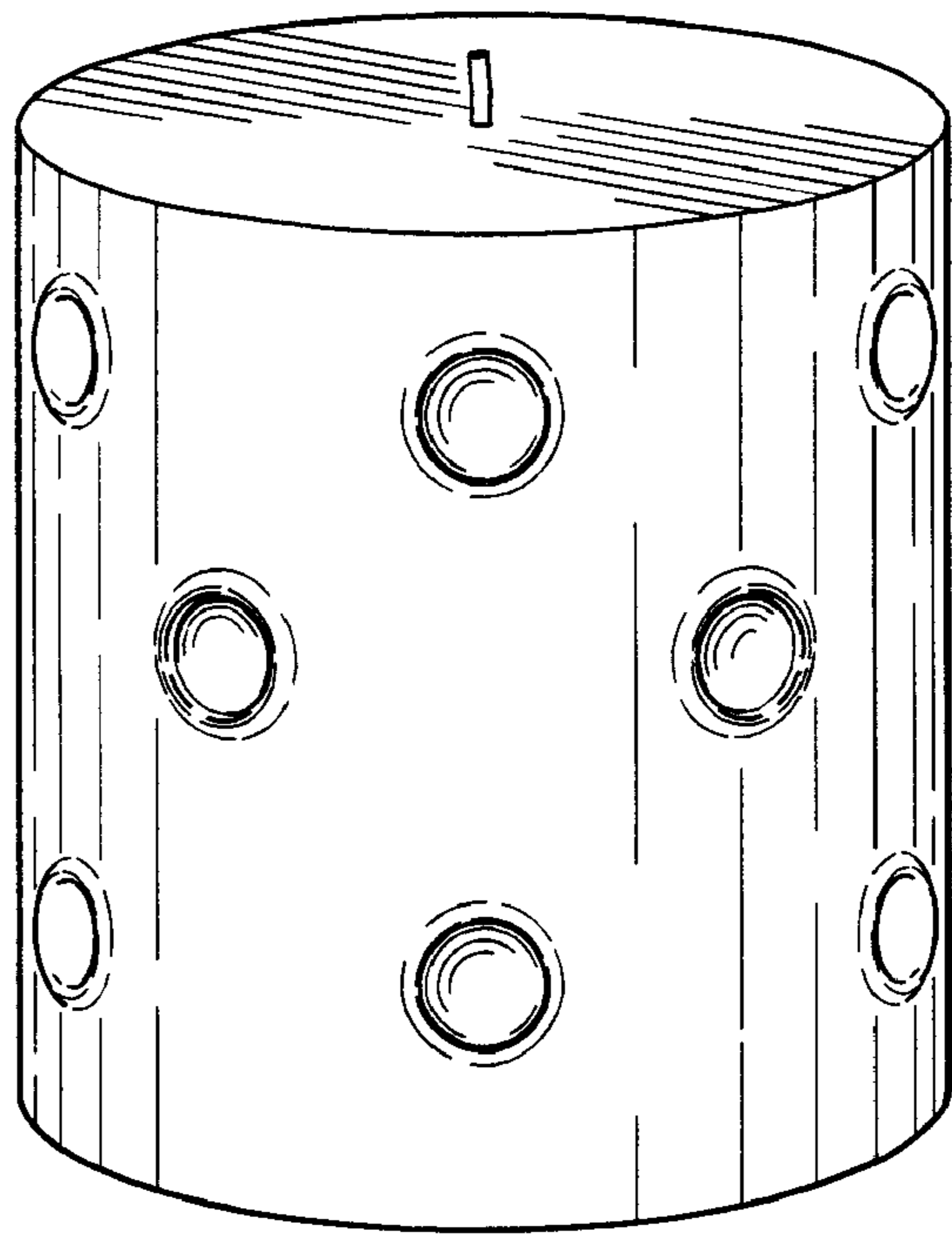


FIG. 4

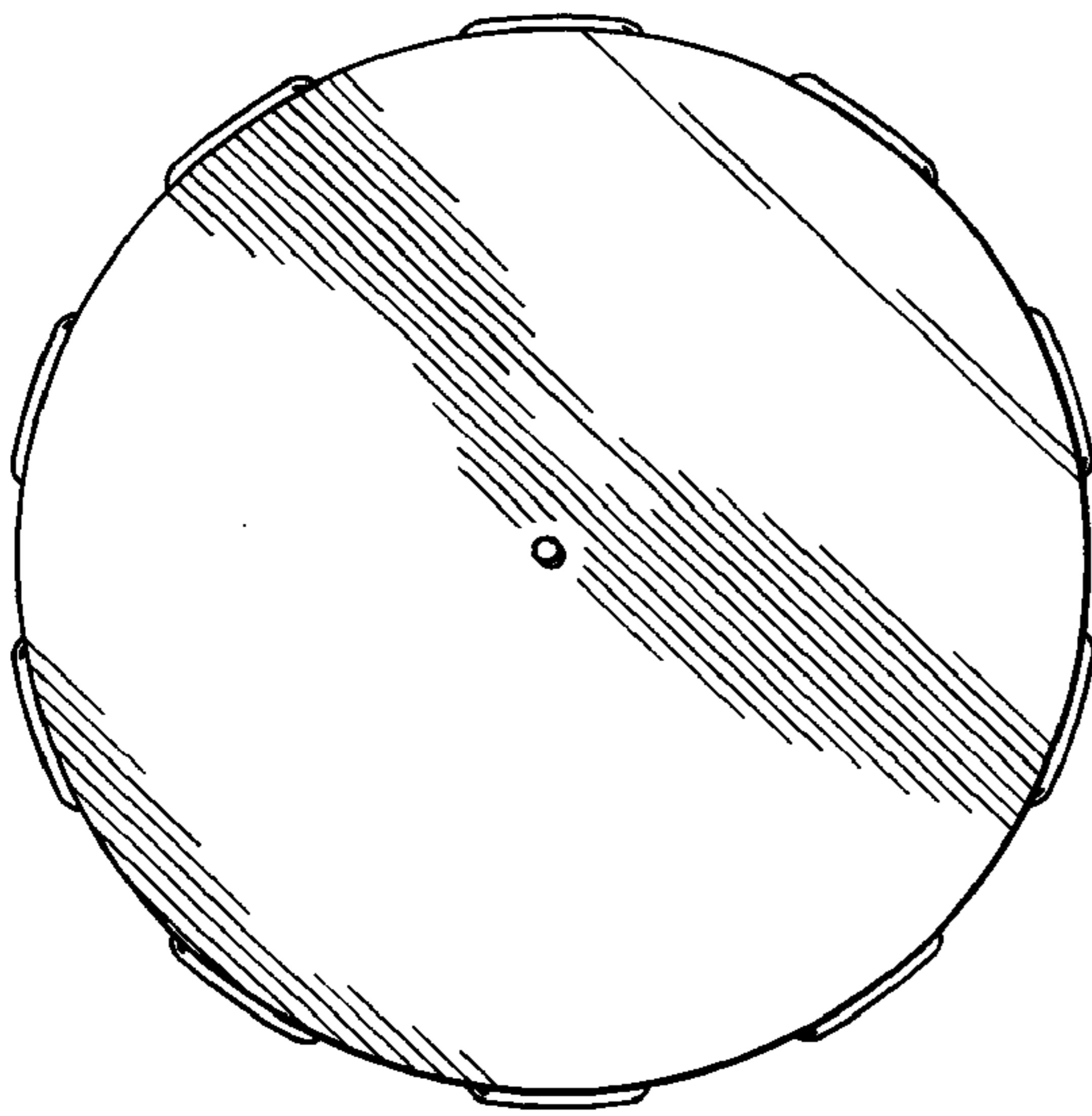


FIG. 5

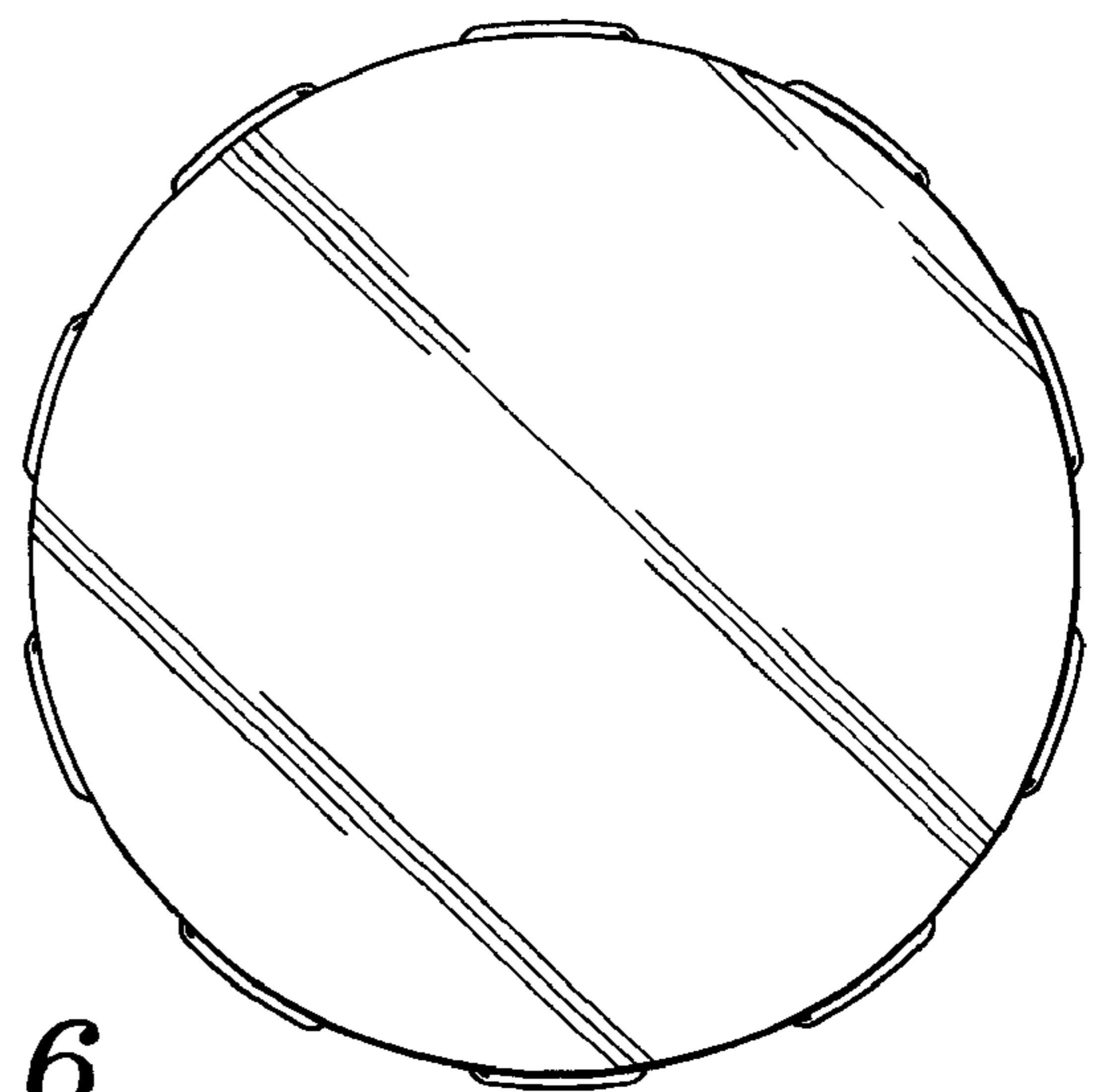


FIG. 6