



US00D481138S

(12) **United States Design Patent**
Forster et al.

(10) **Patent No.:** **US D481,138 S**

(45) **Date of Patent:** **** Oct. 21, 2003**

(54) **INTERLOCKING TILE FOR ICE SURFACES**

(75) Inventors: **Cheryl M. Forster**, Salt Lake City, UT (US); **Jason D. Carling**, Powell, TN (US); **Frank A. Jugler**, West Valley City, UT (US); **Mark L. Jenkins**, Salt Lake City, UT (US); **Brad Andes**, Bountiful, UT (US); **Jeremiah Shapiro**, West Valley City, UT (US)

(73) Assignee: **Sport Court, Inc.**, Salt Lake City, UT (US)

(**) Term: **14 Years**

(21) Appl. No.: **29/164,120**

(22) Filed: **Jul. 16, 2002**

(51) **LOC (7) Cl.** **25-01**

(52) **U.S. Cl.** **D25/138**

(58) **Field of Search** 52/314, 179, 181, 52/177, 578, 588.1, 574; D25/138

(56) **References Cited**

U.S. PATENT DOCUMENTS

D484,743 * 10/2002 Ogawa D25/138

* cited by examiner

Primary Examiner—Doris Clark
(74) *Attorney, Agent, or Firm*—Thorpe North & Western, LLP

(57) **CLAIM**

What is claimed is the ornamental design for an interlocking tile for ice surfaces, as shown and described.

DESCRIPTION

FIG. 1 is a right elevational perspective view of the interlocking tile for ice surfaces in accordance with our invention;

FIG. 2 is a top view thereof;

FIG. 3 is a bottom view thereof;

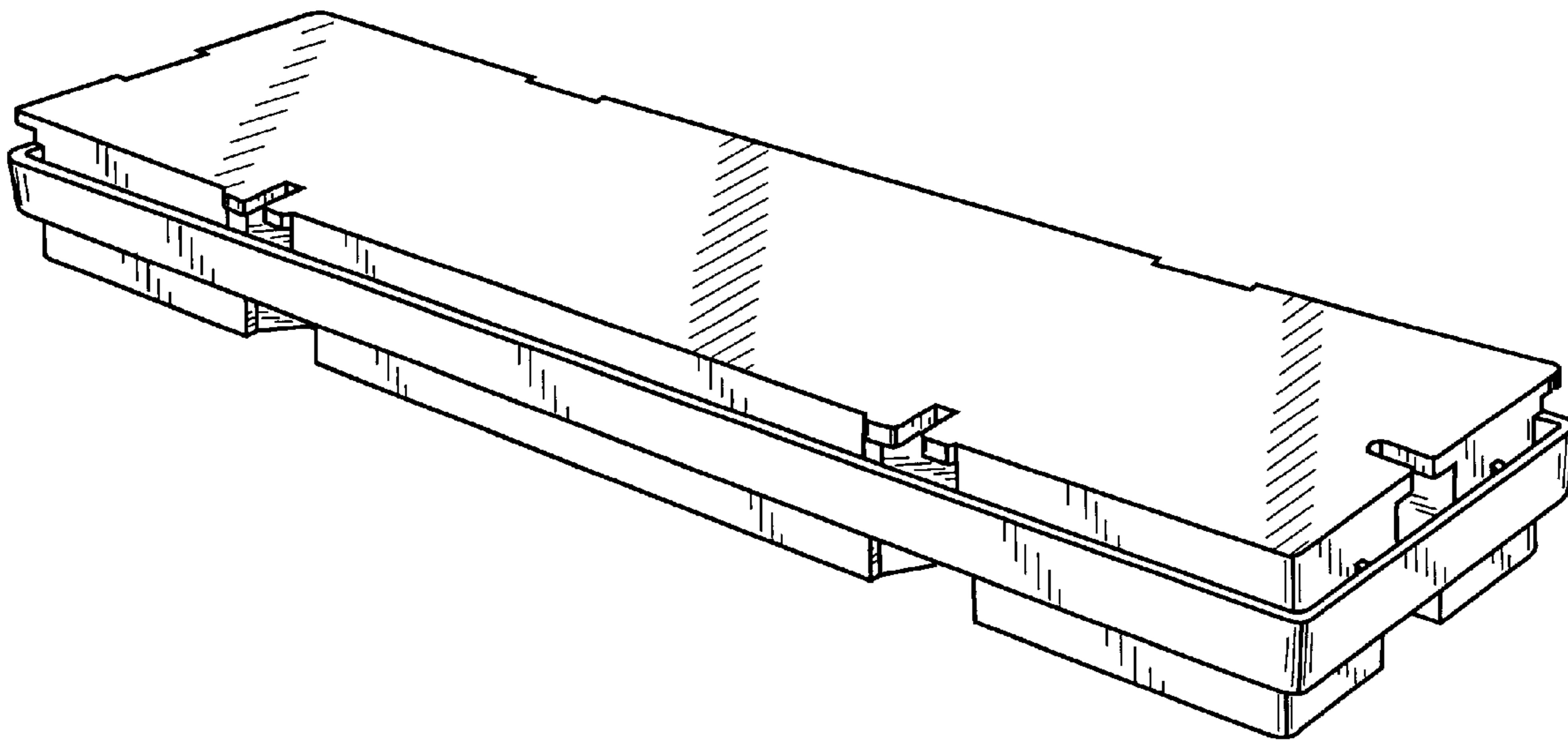
FIG. 4 is a front view thereof;

FIG. 5 is a back view thereof;

FIG. 6 is a left side view thereof; and,

FIG. 7 is a right side view thereof.

1 Claim, 2 Drawing Sheets



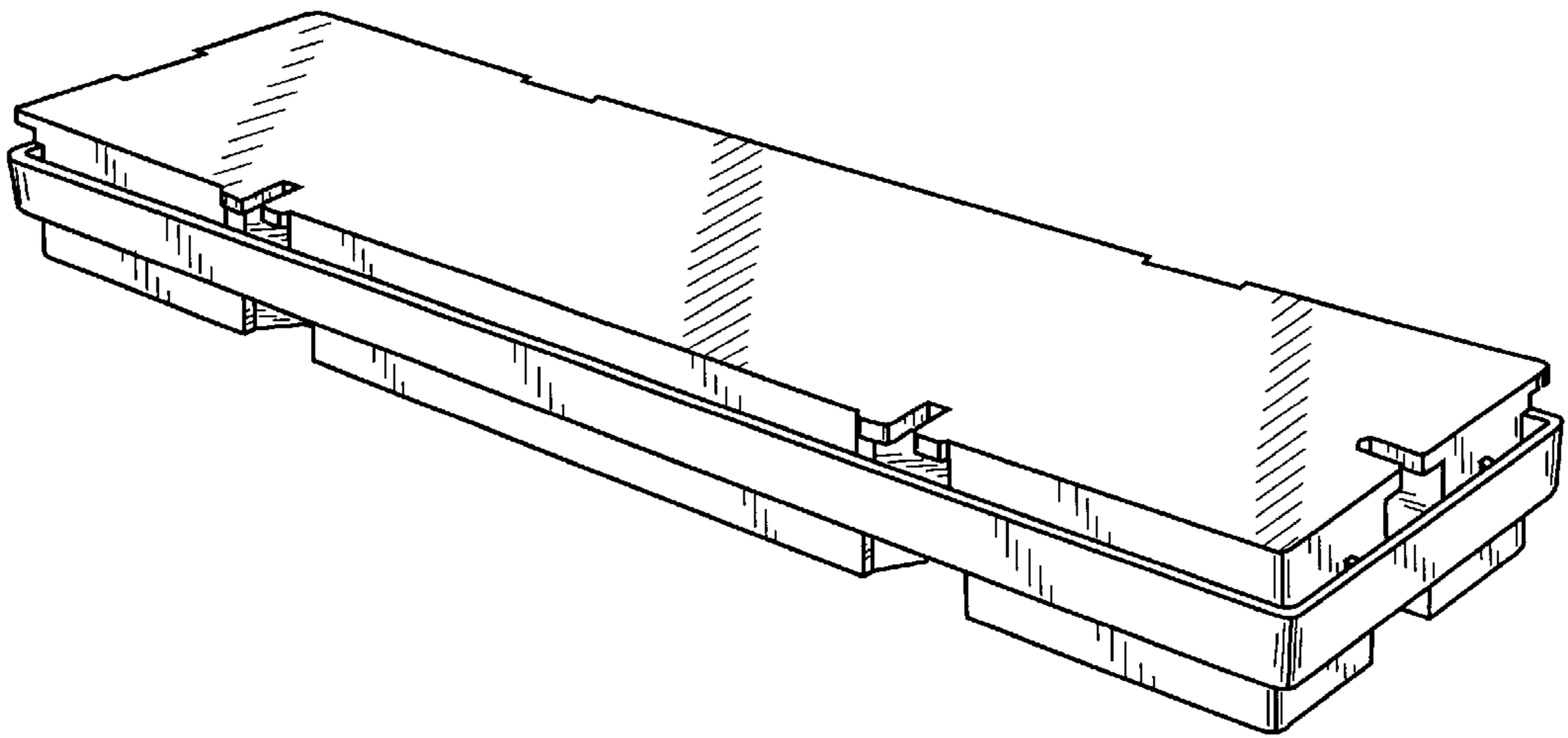


Fig. 1

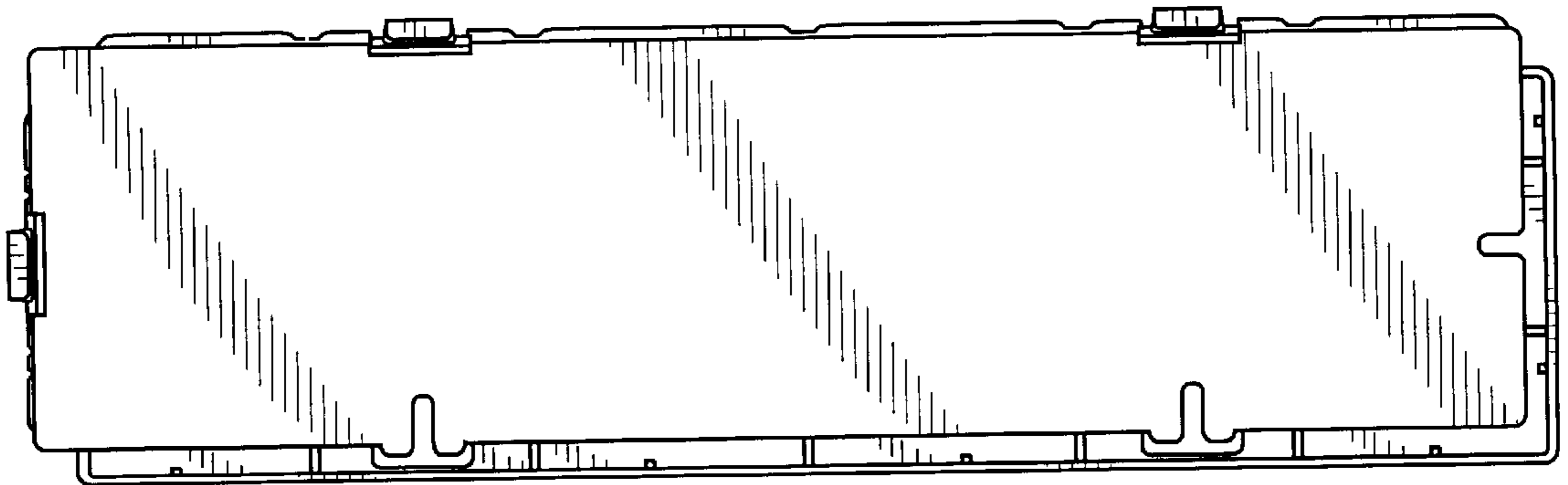


Fig. 2

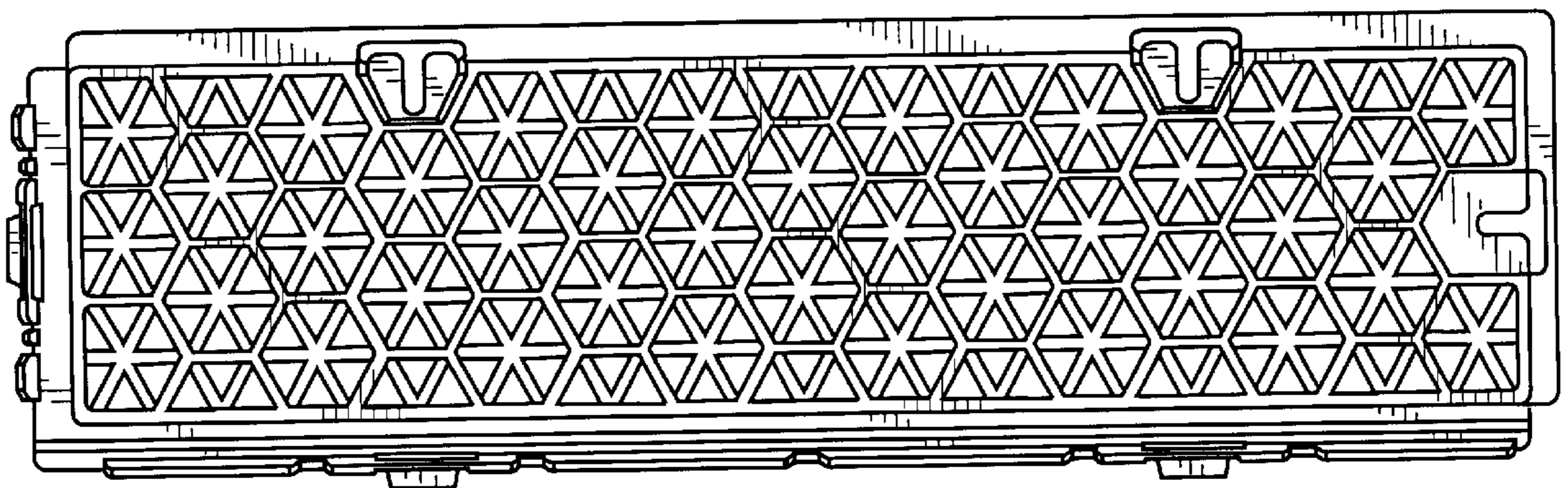


Fig. 3

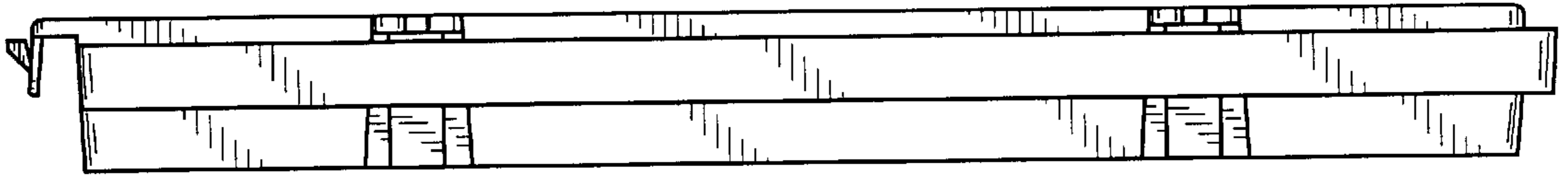


Fig. 4

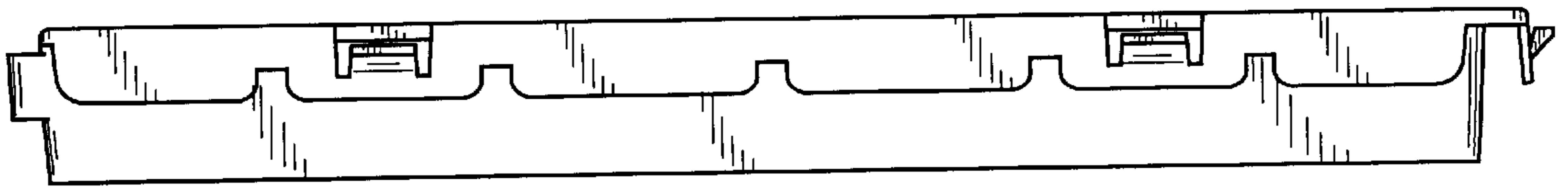


Fig. 5

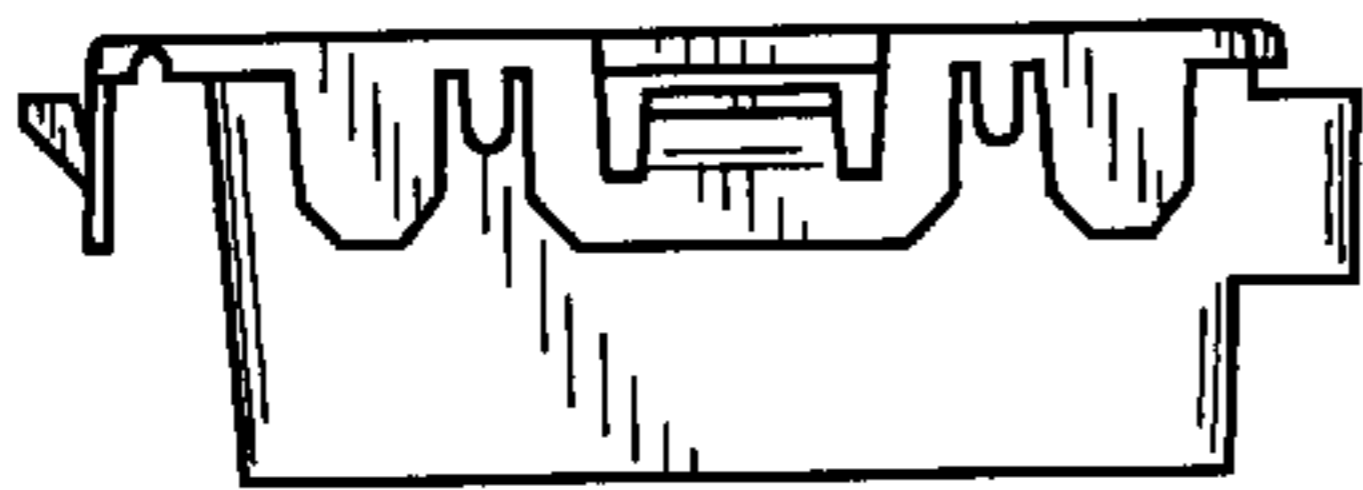


Fig. 6

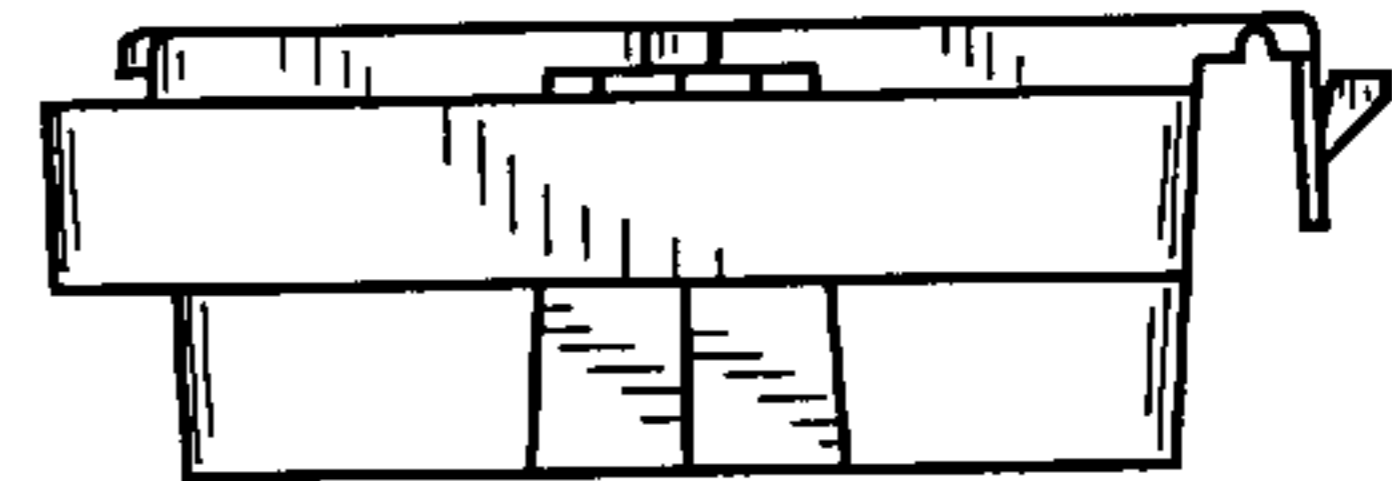


Fig. 7