



US00D481134S

(12) **United States Design Patent**
Calaicone

(10) **Patent No.:** **US D481,134 S**

(45) **Date of Patent:** **** Oct. 21, 2003**

(54) **LADDER RECEIVING BUCKET HANGING BRACKET ASSEMBLY**

5,842,253 A	12/1998	Ahl et al.	
5,971,103 A	* 10/1999	Mulvaney	182/129
6,148,958 A	11/2000	Ahl et al.	
6,260,663 B1	7/2001	Combs	
6,273,289 B1	8/2001	Bowman	

(76) **Inventor:** **Frederick J. Calacone**, 1830 Big Haynes Ct., Grayson, GA (US) 30017

(**) **Term:** **14 Years**

* cited by examiner

(21) **Appl. No.:** **29/169,641**

Primary Examiner—Doris Clark
(74) *Attorney, Agent, or Firm*—Hinkle & O’Bradovich, LLC

(22) **Filed:** **Oct. 24, 2002**

(51) **LOC (7) Cl.** **25-04**

(57) **CLAIM**

(52) **U.S. Cl.** **D25/68**

The ornamental design for a ladder receiving bucket hanging bracket assembly, as shown and described.

(58) **Field of Search** D25/62, 68, 69; 182/180.1, 129; 248/210, 211, 238, 194, 206

DESCRIPTION

(56) **References Cited**

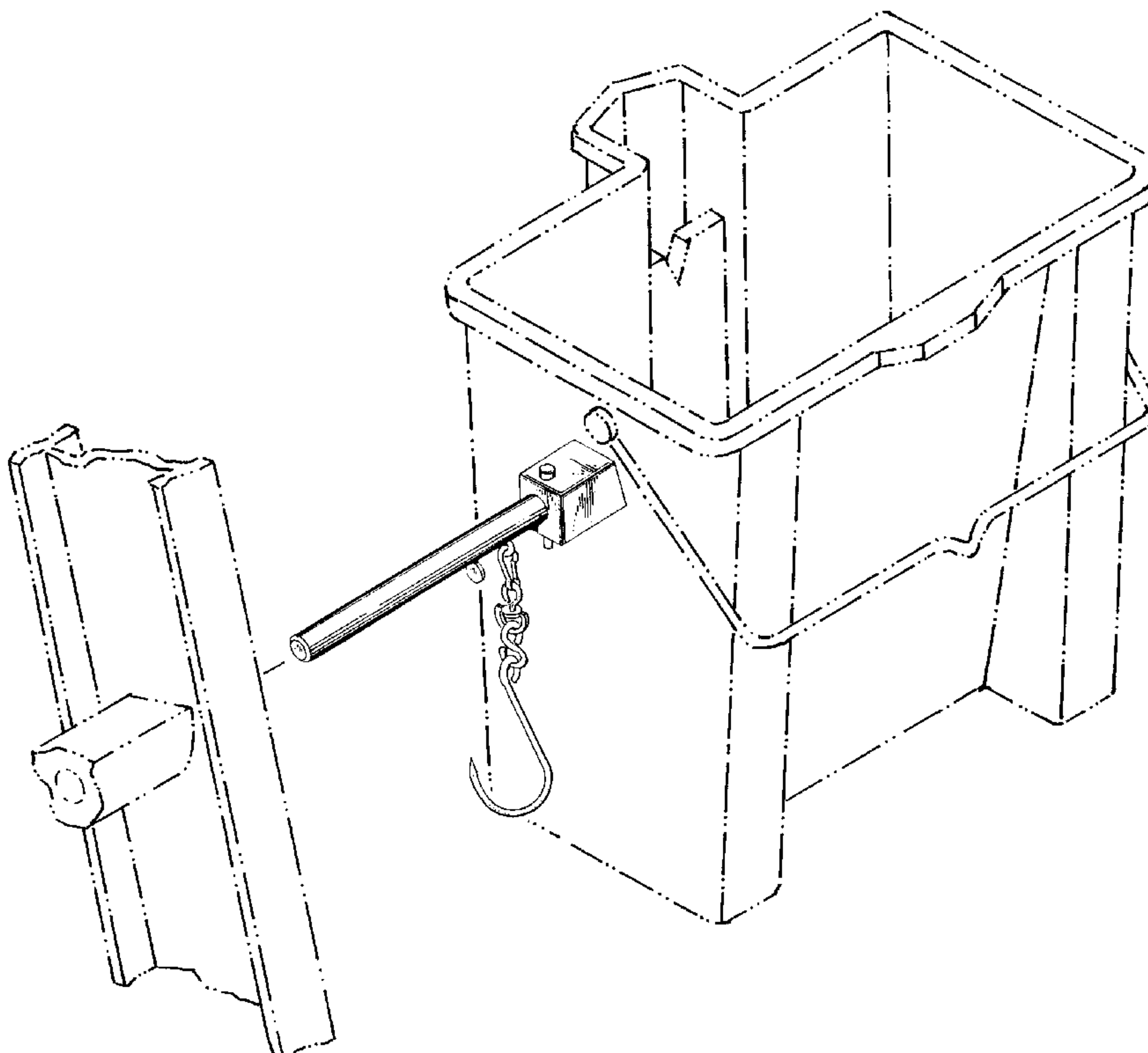
U.S. PATENT DOCUMENTS

D202,134 S	8/1965	Bryan
3,332,653 A	7/1967	Hoelzel
D223,302 S	4/1972	Golden et al.
3,822,846 A	7/1974	Jesionowski
3,837,034 A	9/1974	Leffert et al.
D248,335 S	6/1978	Cooke et al.
4,164,299 A	8/1979	Fuhr
4,523,733 A	6/1985	Lunden, Jr.
4,702,446 A	10/1987	Brown
D324,272 S	2/1992	Thiel
5,191,954 A	3/1993	Ledford
5,236,161 A	8/1993	Haven
5,493,751 A	2/1996	Misiukowiec et al.

FIG. 1 is a top perspective view of the ladder receiving bucket hanging bracket assembly showing my new design; FIG. 2 is a front elevation view; FIG. 3 is a top plan view; FIG. 4 is a bottom plan view; FIG. 5 is a left side elevation view; FIG. 6 is a right side elevation view; and, FIG. 7 is an overall perspective view of the invention being mounted on a bucket prior to being received into a ladder rung.

The broken lines showing a ladder rung and a bucket are for illustrative purposes only and do not form a part of the claimed design.

1 Claim, 3 Drawing Sheets



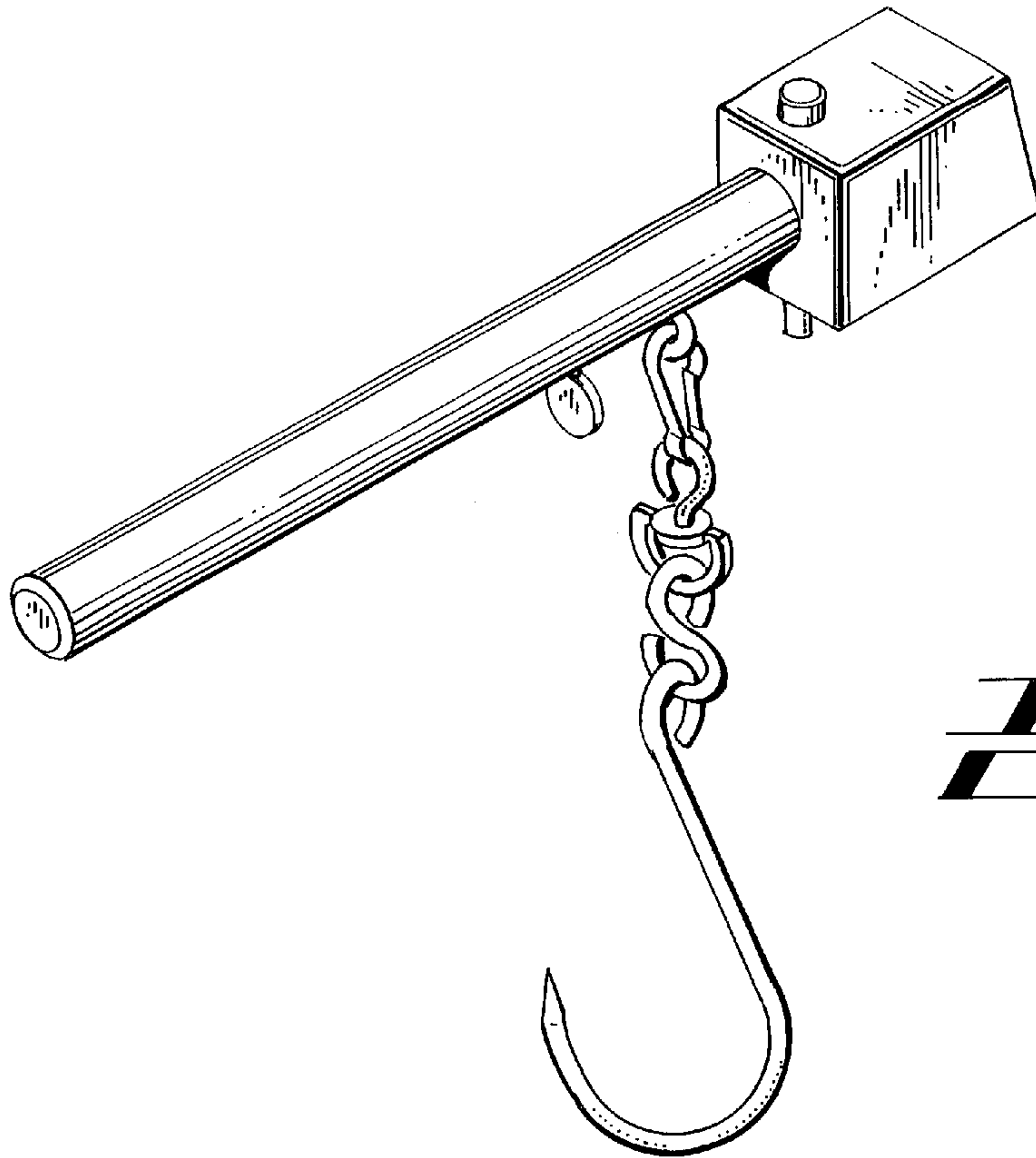


Fig. 1

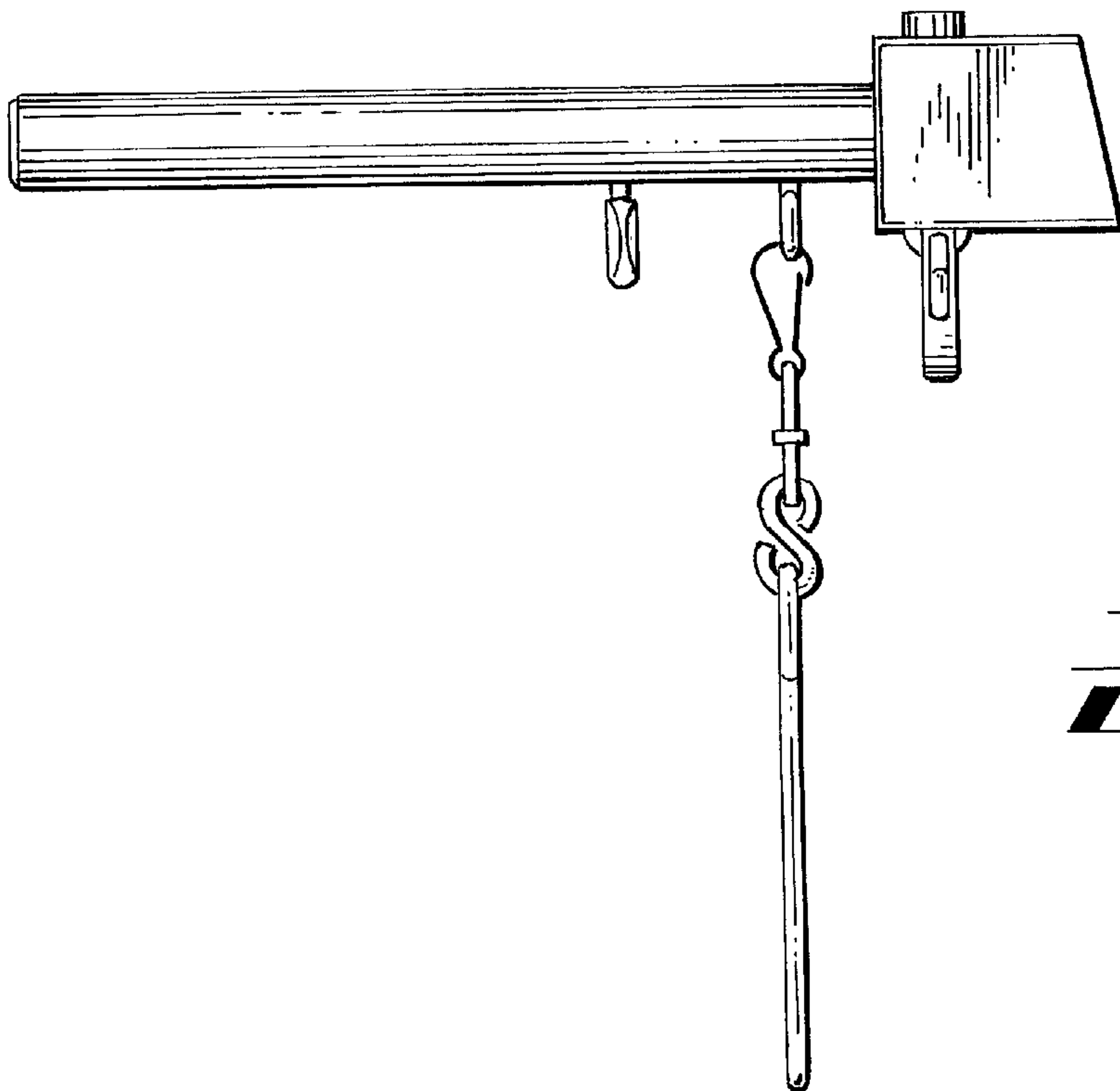
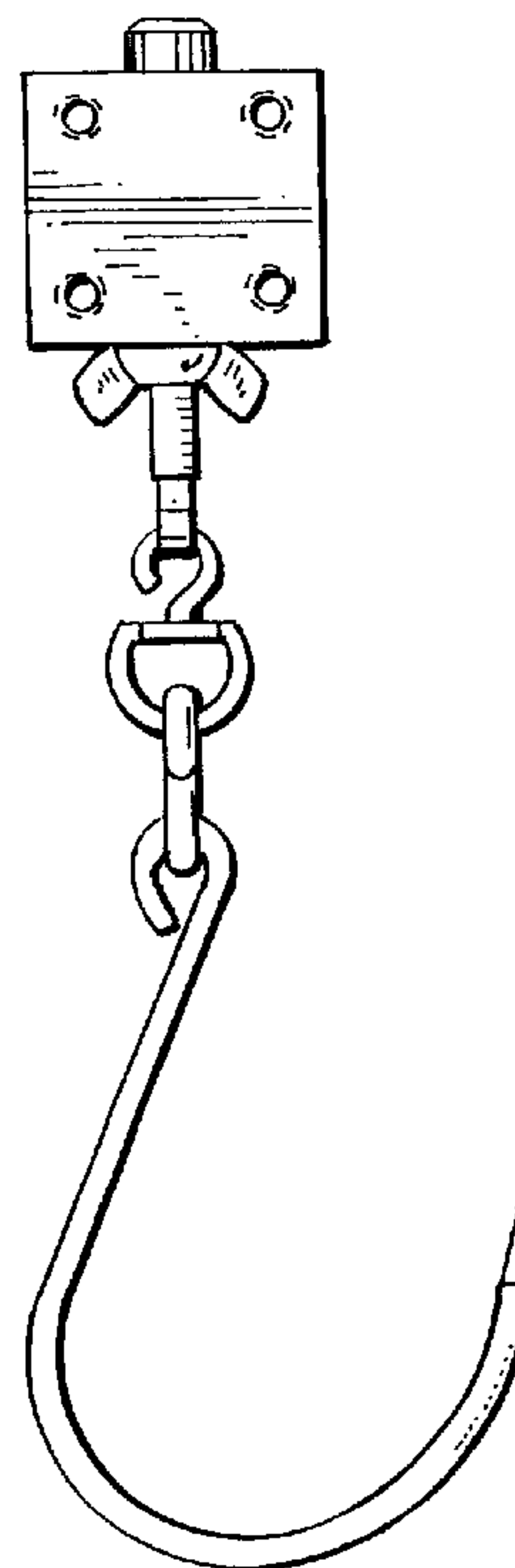
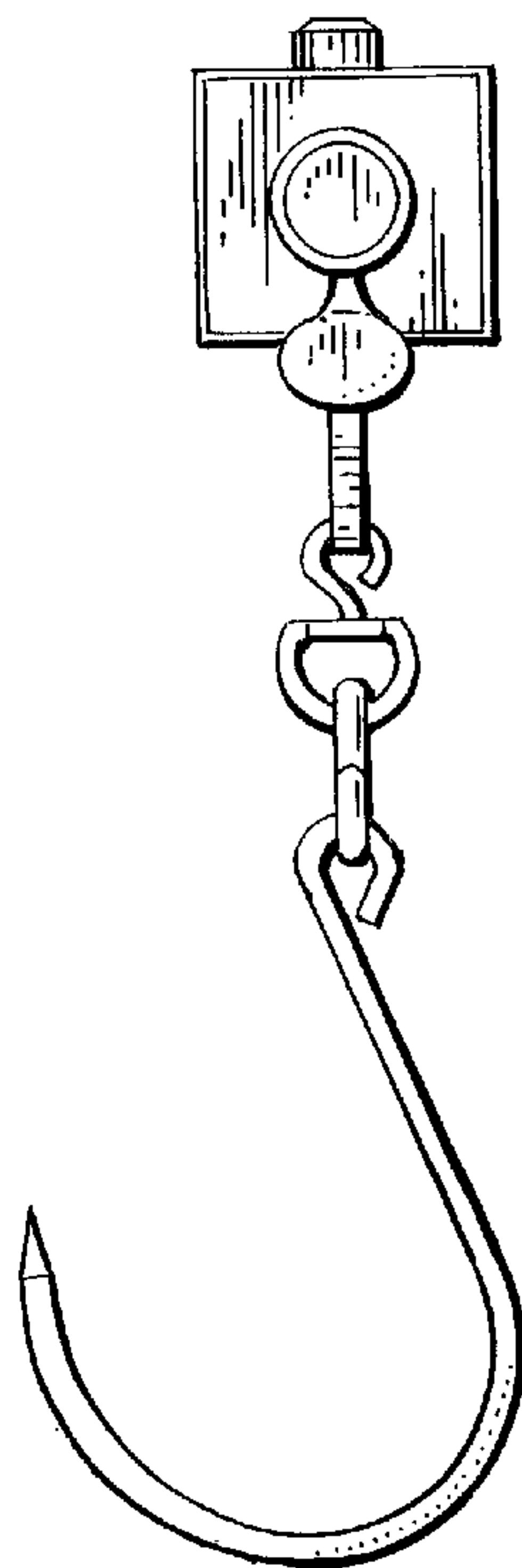
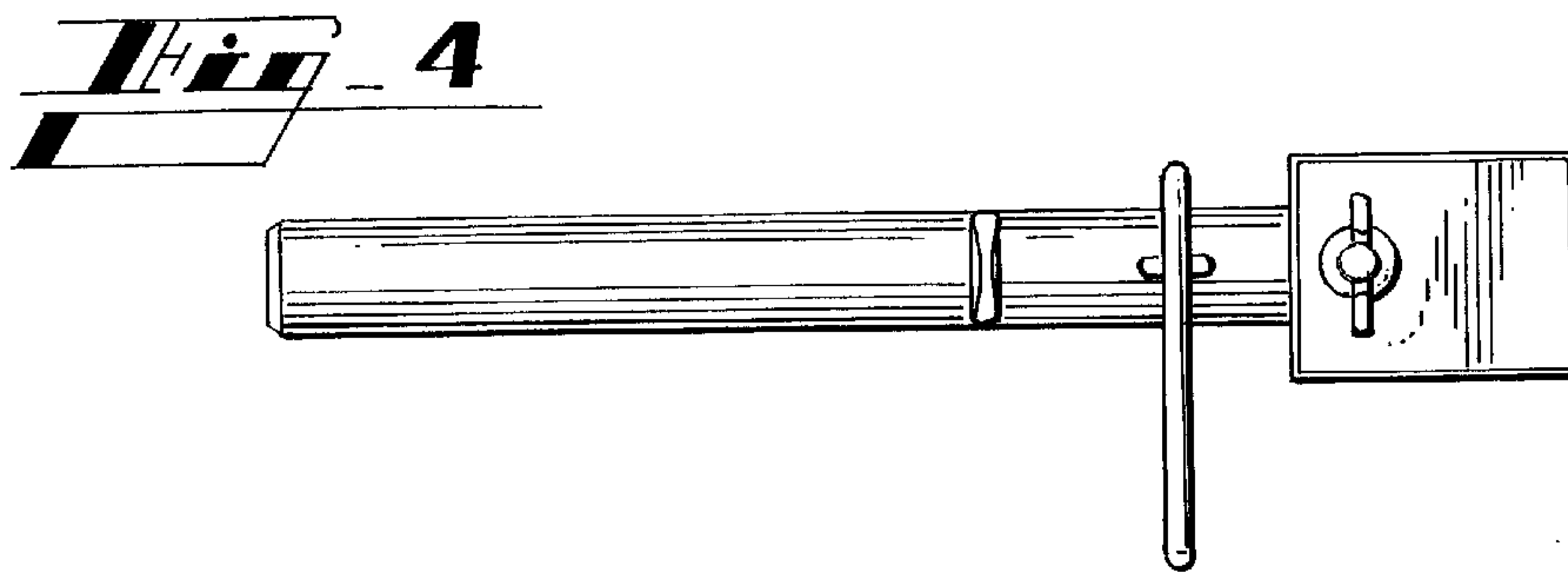


Fig. 2



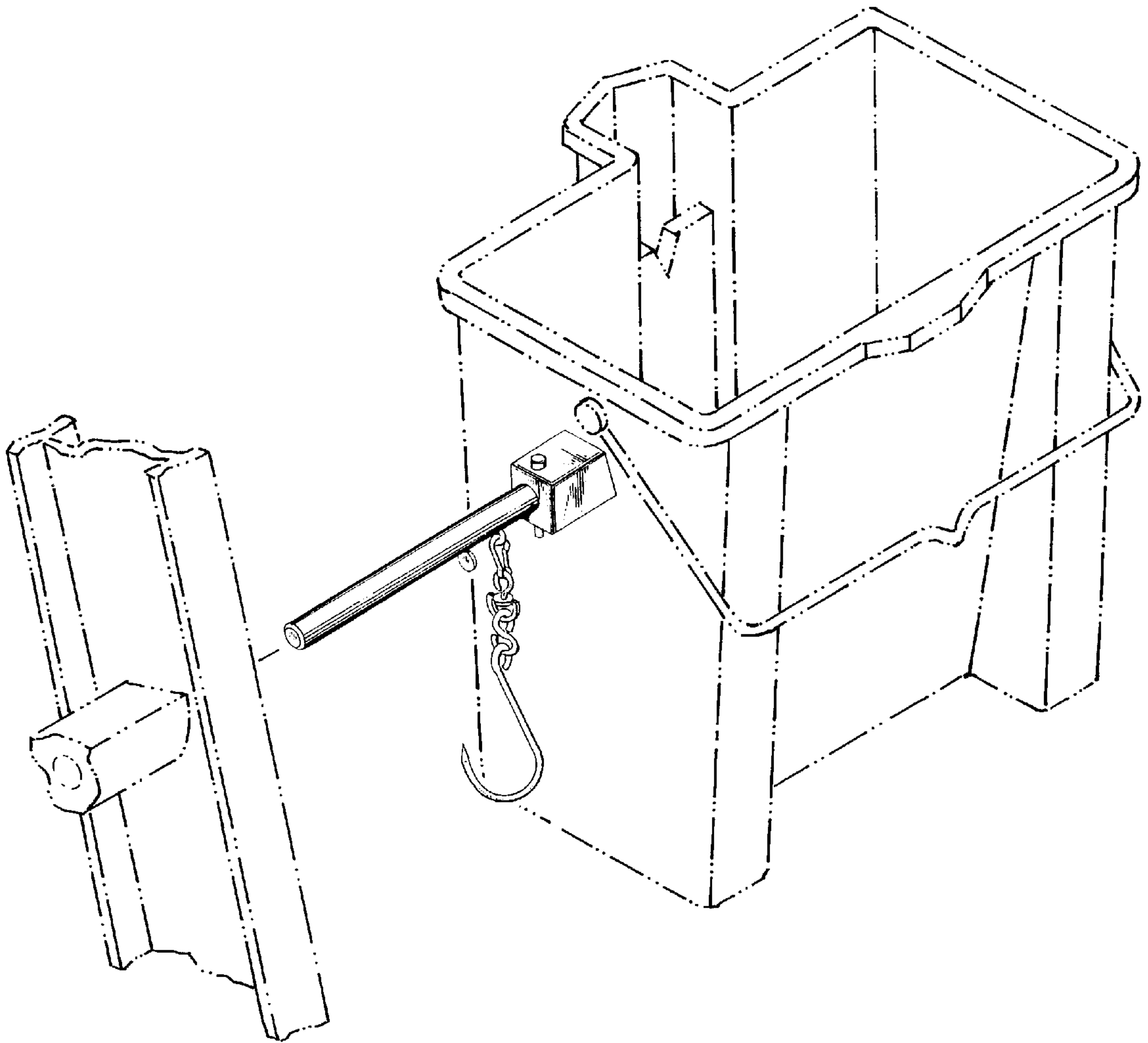


FIG. 7