



US00D481129S

(12) **United States Design Patent**
DiCesare et al.

(10) **Patent No.:** **US D481,129 S**
(45) **Date of Patent:** **** Oct. 21, 2003**

(54) **BLADE HOLDER**

(75) Inventors: **Paul DiCesare**, Easton, CT (US); **John Montgomery**, Stanford, KY (US); **Simon Cohn**, North Arlington, NJ (US); **Glade Howell**, Sandy, UT (US)

(73) Assignee: **Becton Dickinson and Company**, Franklin Lakes, NJ (US)

(**) Term: **14 Years**

4,805,304 A	2/1989	Knoop	
4,823,457 A	4/1989	Prochaska	
4,844,070 A	7/1989	Dee	
4,884,569 A	12/1989	Fedorov et al.	
4,922,614 A	* 5/1990	Machida	30/339
4,930,220 A	* 6/1990	Loo	30/339
4,949,458 A	8/1990	Davis et al.	
5,055,106 A	10/1991	Lundgren	
5,071,418 A	12/1991	Rosenbaum	
5,071,426 A	12/1991	Dolgin et al.	
D327,125 S	6/1992	Iten	

(List continued on next page.)

(21) Appl. No.: **29/175,037**

(22) Filed: **Jan. 29, 2003**

(51) **LOC (7) Cl.** **24-02**

(52) **U.S. Cl.** **D24/147**

(58) **Field of Search** D24/147, 146,
D24/130; D8/48, 99; 606/167; 30/339,
337, 329, 157, 332, 342, 340

(56) **References Cited**

U.S. PATENT DOCUMENTS

2,735,176 A	2/1956	Costin	
2,885,780 A	5/1959	Campbell	
D187,320 S	* 2/1960	Matwijcow	D24/147
2,960,769 A	* 11/1960	Matwijcow	30/340
2,968,489 A	1/1961	Doniger	
3,025,598 A	3/1962	Nissen	
3,657,812 A	4/1972	Lee	
3,793,726 A	2/1974	Schrank	
3,905,101 A	9/1975	Shepherd	
3,906,626 A	9/1975	Riuli	
4,091,537 A	5/1978	Stevenson, Jr.	
4,173,071 A	* 11/1979	Ishida	30/339
4,318,473 A	3/1982	Sandel	
4,375,218 A	3/1983	Di Geronimo	
4,414,974 A	11/1983	Dotson et al.	
4,491,132 A	1/1985	Aikins	
4,523,379 A	6/1985	Osterhout et al.	
4,617,738 A	* 10/1986	Kopacz	30/339
4,660,287 A	4/1987	Decker	
4,663,846 A	5/1987	Tkayama	
4,735,202 A	4/1988	Williams	
4,798,000 A	* 1/1989	Bedner et al.	30/339

FOREIGN PATENT DOCUMENTS

DE	3722899 A1	1/1989
EP	583 992 A1	2/1994
WO	WO 97/34535	9/1997

Primary Examiner—Ian Simmons

(74) *Attorney, Agent, or Firm*—James J. Murtha

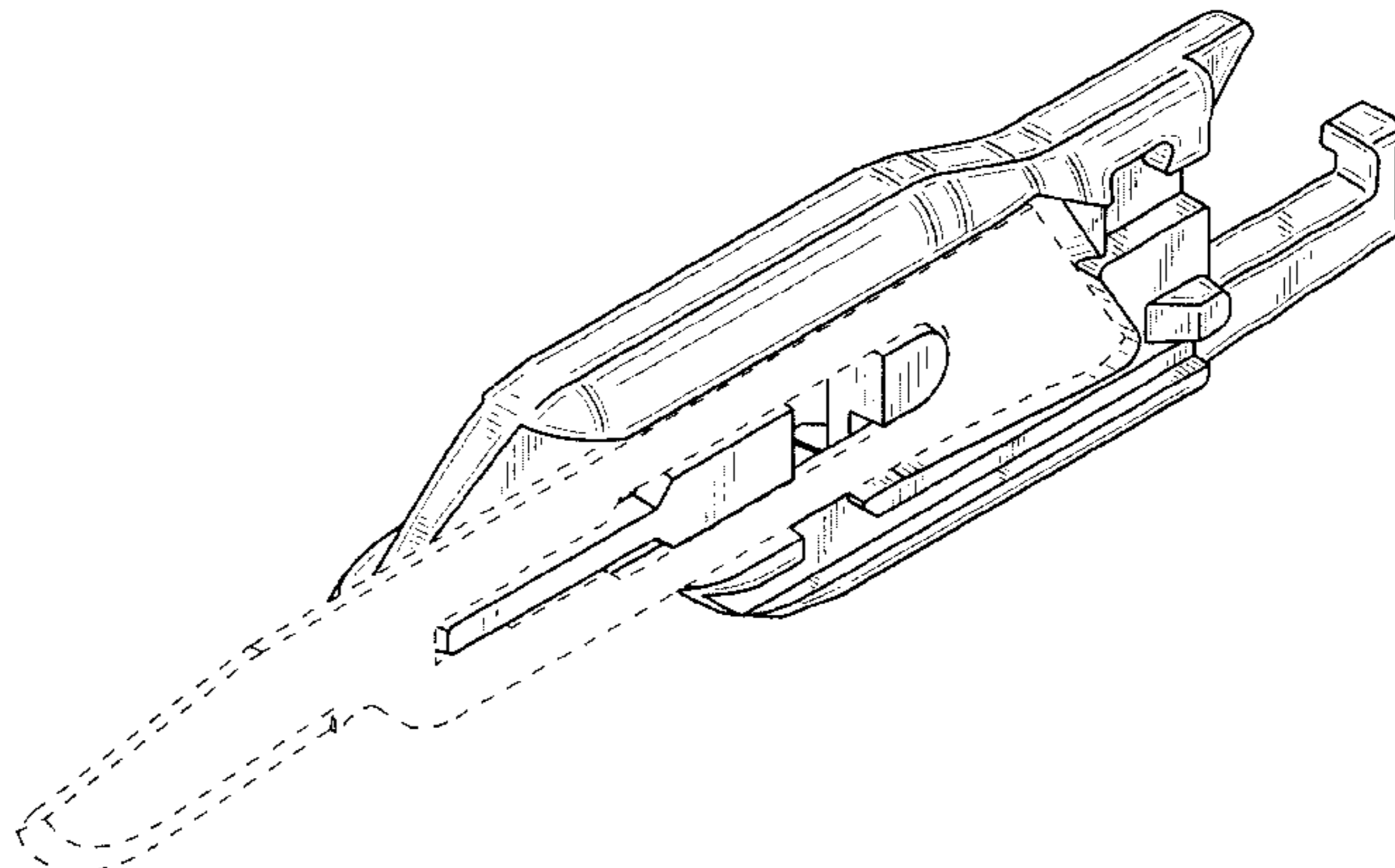
(57) **CLAIM**

The ornamental design of a blade holder, as shown and described.

DESCRIPTION

FIG. 1 is a front left perspective view of a blade holder showing our new design;
 FIG. 2 is a front right perspective view of a blade holder of FIG. 1;
 FIG. 3 is a top elevation view of the blade holder of FIG. 1;
 FIG. 4 is a left elevation view of the blade holder of FIG. 1;
 FIG. 5 is a right elevation view of the blade holder of FIG. 1;
 FIG. 6 is a bottom elevation view of the blade holder of FIG. 1;
 FIG. 7 is a front elevation view of the blade holder of FIG. 1; and,
 FIG. 8 is a rear elevation view of the blade holder of FIG. 1.
 The broken line showing of the blade in FIGS. 1 through 7 are for illustrative purposes only and forms no part of the claimed design.

1 Claim, 7 Drawing Sheets



US D481,129 S

Page 2

U.S. PATENT DOCUMENTS

5,141,517 A	8/1992	Shutt	5,431,672 A	7/1995	Cote et al.
D330,082 S	10/1992	Schutte et al.	5,449,068 A	9/1995	Gharibian
5,201,748 A	4/1993	Newman et al.	5,481,804 A	1/1996	Platts
5,207,696 A	5/1993	Matwijcow	5,496,340 A	3/1996	Abidin et al.
5,250,063 A	10/1993	Abidin et al.	5,571,127 A	11/1996	De Campli
5,250,064 A	10/1993	Schneider	5,620,454 A	4/1997	Pierce et al.
5,272,812 A *	12/1993	Doucette 30/339	5,662,669 A	9/1997	Abidin et al.
5,275,606 A	1/1994	Abidin et al.	5,683,407 A	11/1997	Jolly et al.
5,299,357 A	4/1994	Wonderley et al.	5,741,289 A	4/1998	Jolly et al.
5,309,641 A	5/1994	Wonderley et al.	5,752,968 A	5/1998	Jolly et al.
5,312,429 A	5/1994	Noack	5,792,162 A	8/1998	Jolly et al.
5,330,494 A	7/1994	Van Der Westhuizen et al.	5,827,309 A	10/1998	Jolly et al.
5,342,379 A	8/1994	Volinsky	5,938,676 A	8/1999	Cohn et al.
5,344,424 A	9/1994	Roberts et al.	5,941,892 A *	8/1999	Cohn et al. 606/167
5,363,958 A	11/1994	Horan	6,022,364 A	2/2000	Flumene et al.
5,370,654 A	12/1994	Abidin et al.	6,053,929 A *	4/2000	Cohn et al. 606/167
5,411,512 A	5/1995	Abidin et al.	6,254,621 B1 *	7/2001	Shackelford et al. 606/167
5,417,704 A	5/1995	Wonderley	D466,214 S *	11/2002	Otsuka D24/147
D359,356 S	6/1995	Werner	2002/0143352 A1 *	10/2002	Newman et al. 606/167

* cited by examiner

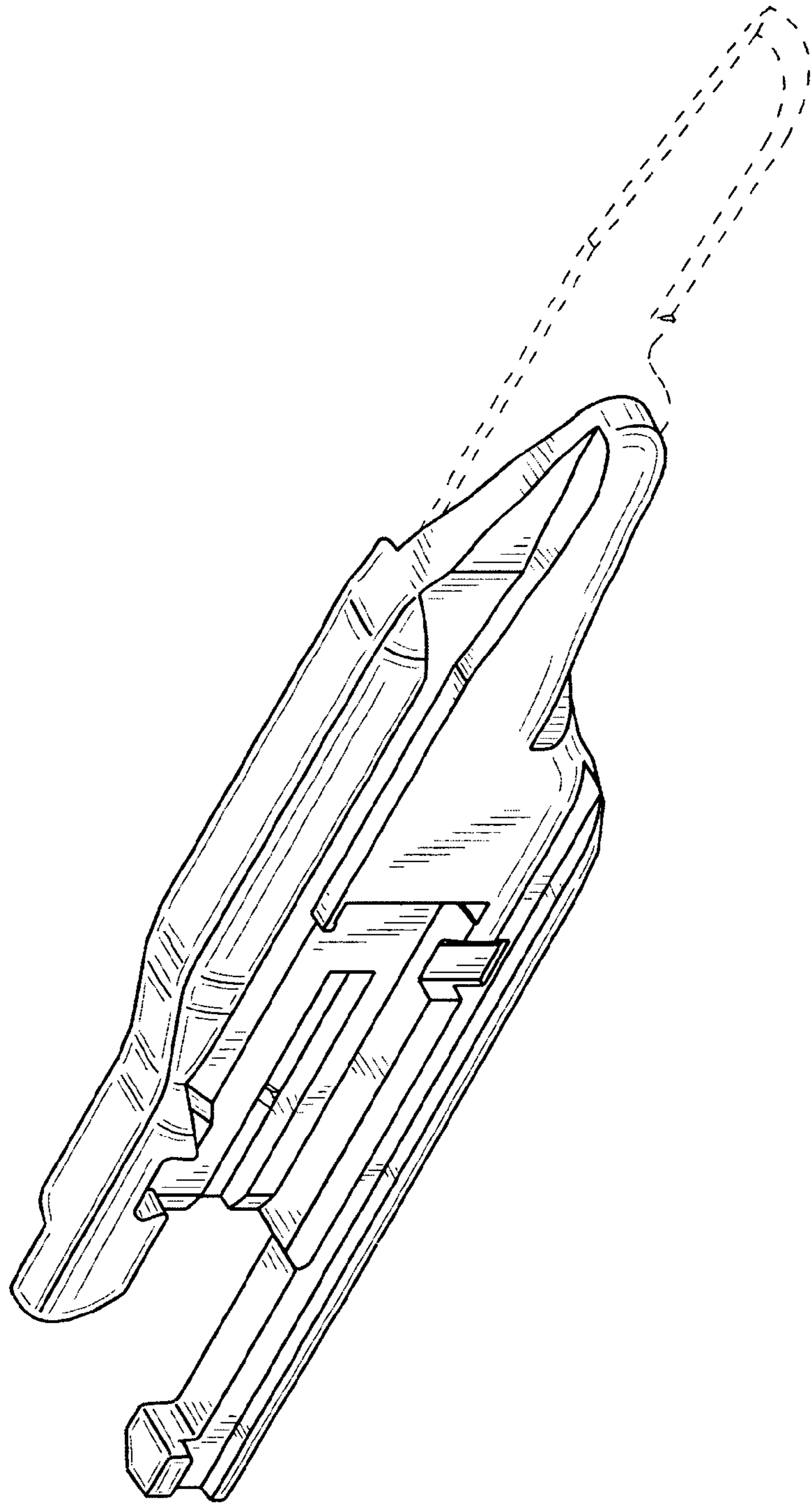


FIG. 1

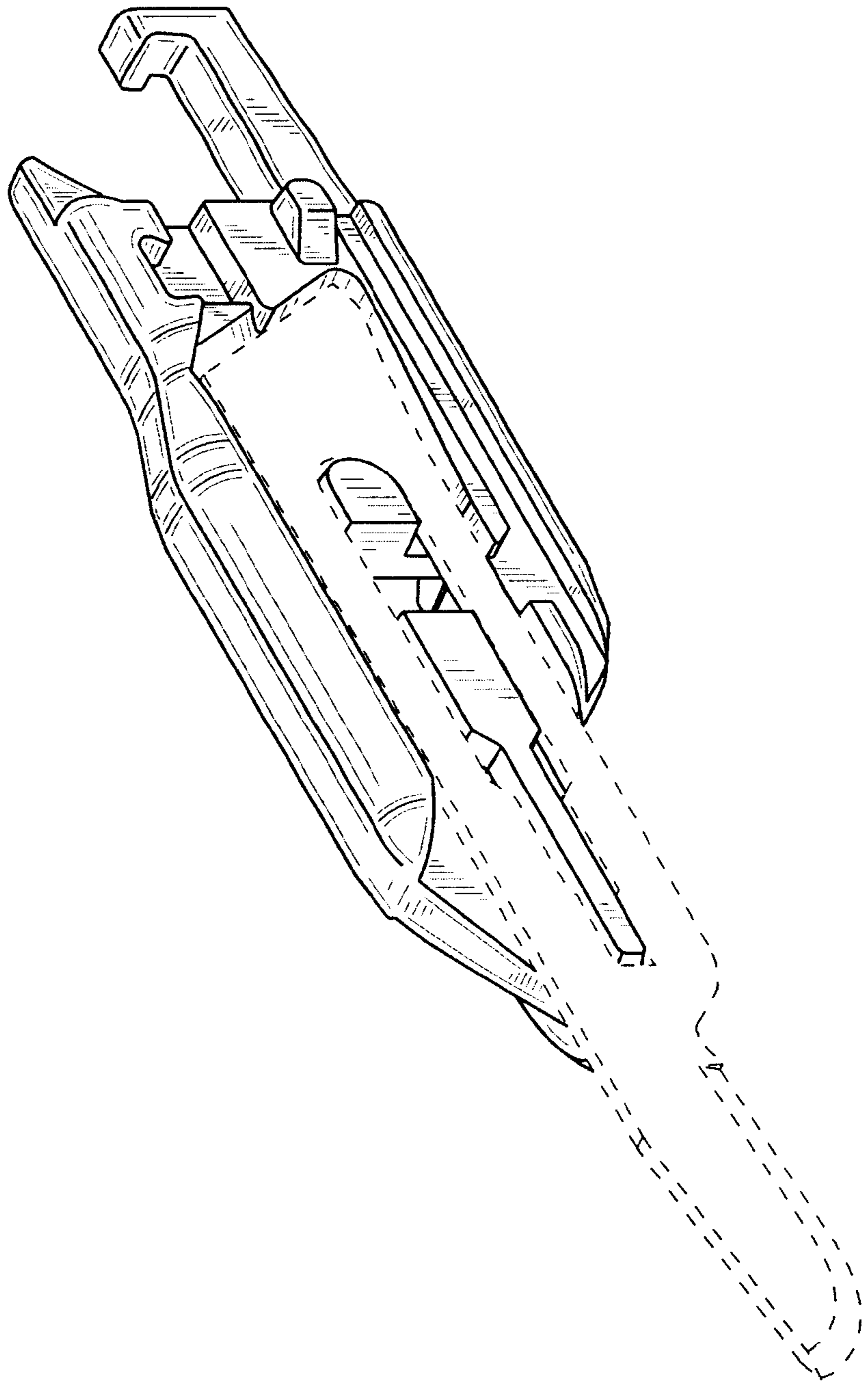


FIG. 2

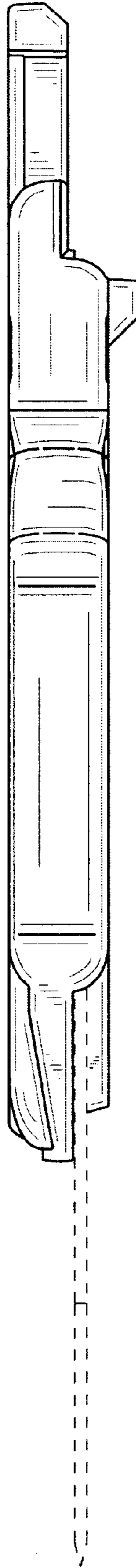


FIG. 3

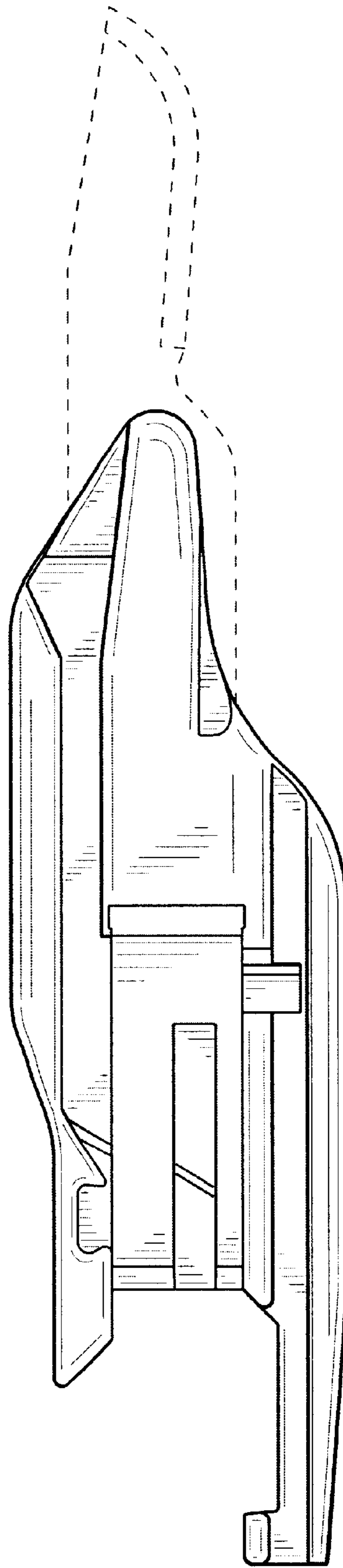
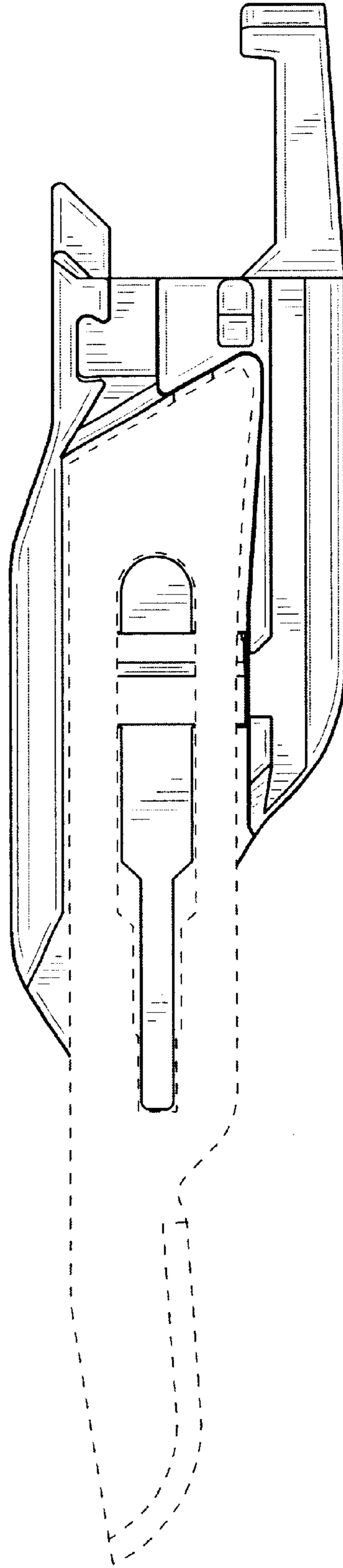


FIG. 4

FIG. 5



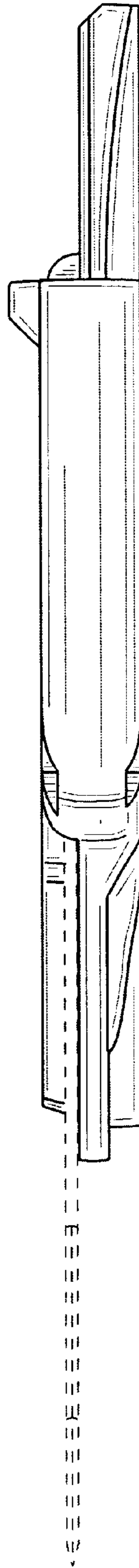


FIG. 6

FIG. 8

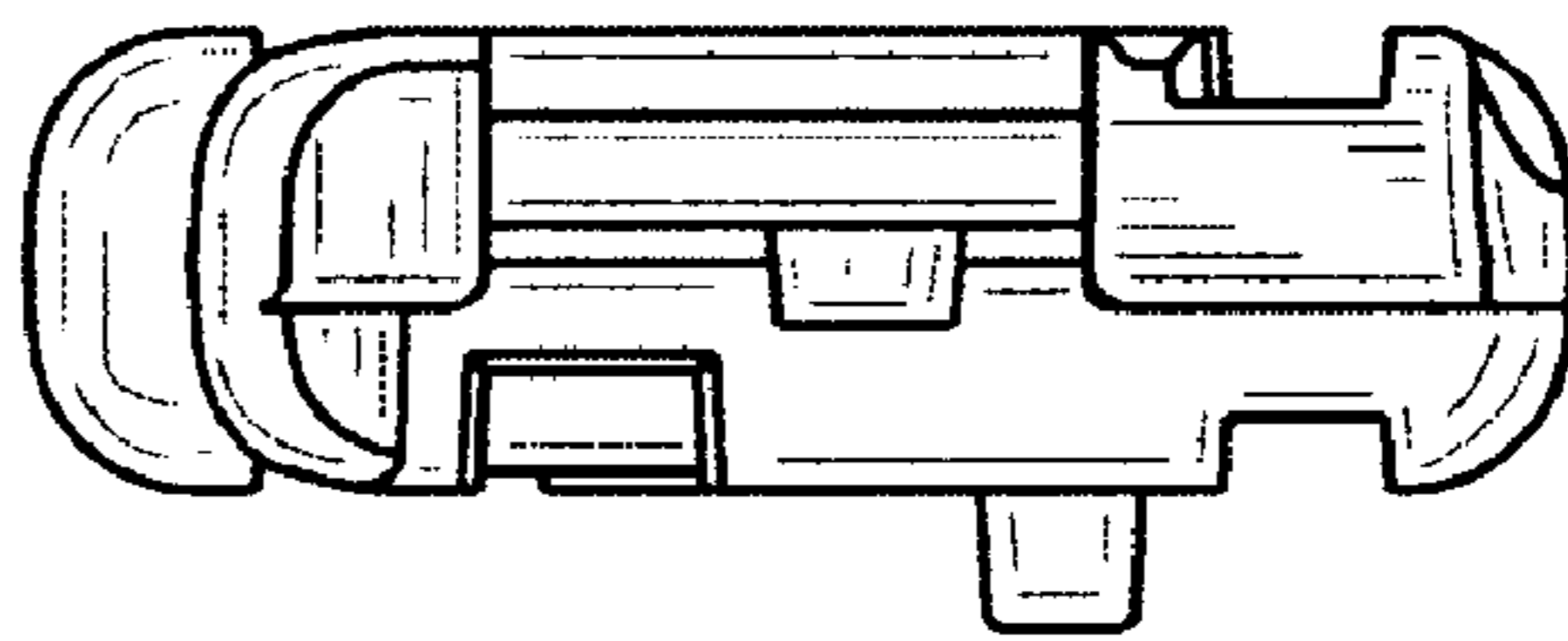


FIG. 7

