



US00D481128S

(12) **United States Design Patent**
Koros et al.

(10) **Patent No.:** **US D481,128 S**

(45) **Date of Patent:** **** Oct. 21, 2003**

(54) **ANGLED TISSUE GRASPER RONGEUR INSTRUMENT**

5,928,263 A * 7/1999 Hoogeboom 606/205
6,322,578 B1 * 11/2001 Houle et al. 606/205
D460,185 S * 7/2002 Etter et al. D24/147

(76) Inventors: **Tibor B. Koros**, 610 Flinn Ave., Moorpark, CA (US) 93021; **Gabriel J. Koros**, 610 Flinn Ave., Moorpark, CA (US) 93021

* cited by examiner

Primary Examiner—Ian Simmons

(**) Term: **14 Years**

(57) **CLAIM**

(21) Appl. No.: **29/174,001**

The ornamental design for an angled tissue grasper rongeur instrument, substantially as shown and described.

(22) Filed: **Jan. 10, 2003**

DESCRIPTION

(51) **LOC (7) Cl.** **24-02**

FIG. 1 is a Isometric view of angled tissue grasper rongeur instrument showing our new design.

(52) **U.S. Cl.** **D24/147; D24/133; D24/143; D24/146**

FIG. 2 is a front elevational view thereof.

(58) **Field of Search** D24/143, 146, D24/133, 147, 170; 606/170, 205, 204, 206, 174, 184, 83, 166

FIG. 3 is a right side elevational view thereof, the left side elevational view being identical thereto.

FIG. 4 is a rear elevational view thereof.

(56) **References Cited**

U.S. PATENT DOCUMENTS

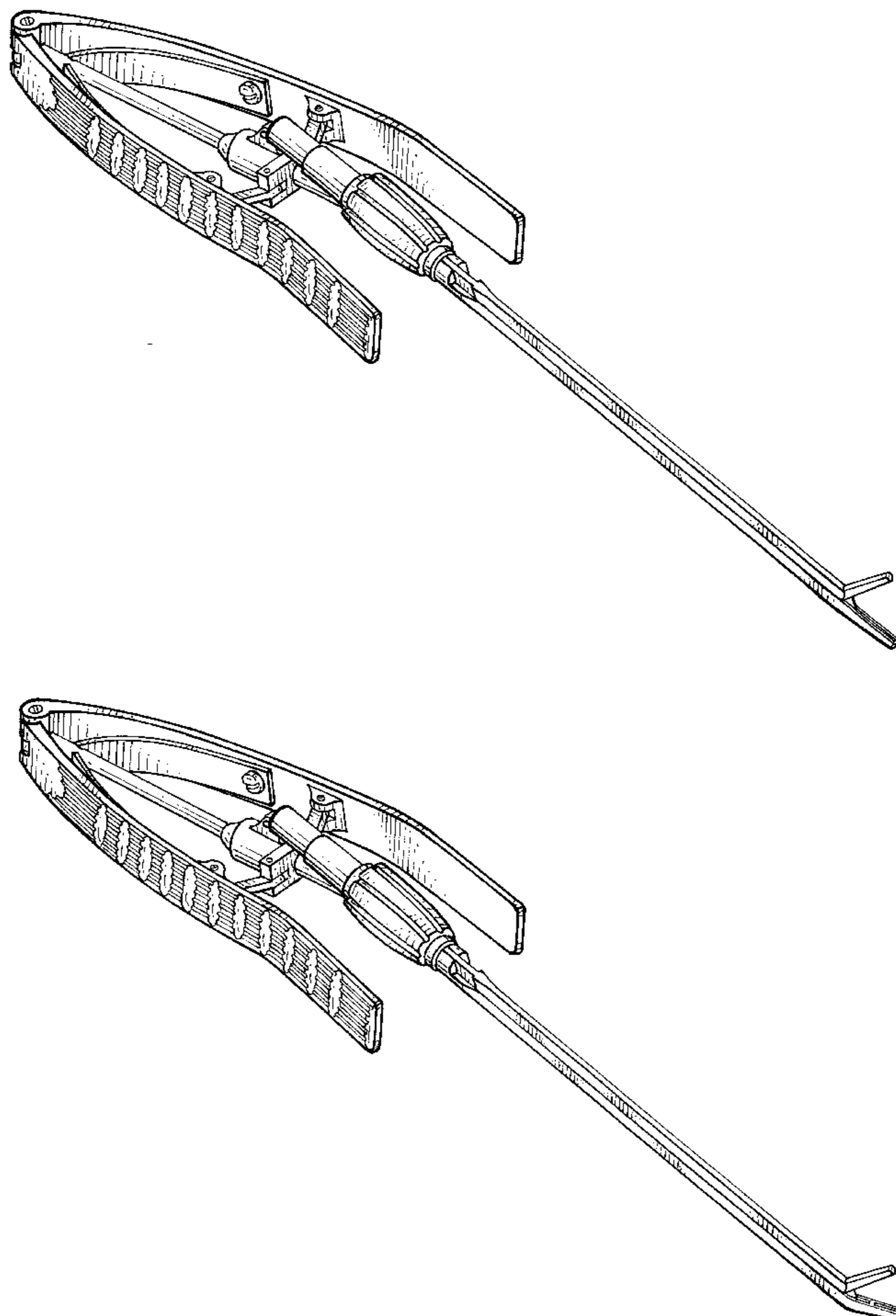
4,955,887 A * 9/1990 Zirm 606/170
D351,653 S * 10/1994 Koros et al. D24/143
5,370,658 A * 12/1994 Scheller et al. 606/205
5,922,007 A * 7/1999 Hoogeboom et al. 606/205

FIG. 5 is a top plan view.

FIG. 6 is a bottom plan view; and,

FIG. 7 is an isometric view of a second embodiment of an angled tissue grasper rongeur instrument showing our new design, with all elevational view being identical to that shown in the first embodiment except for the tip portion.

1 Claim, 3 Drawing Sheets



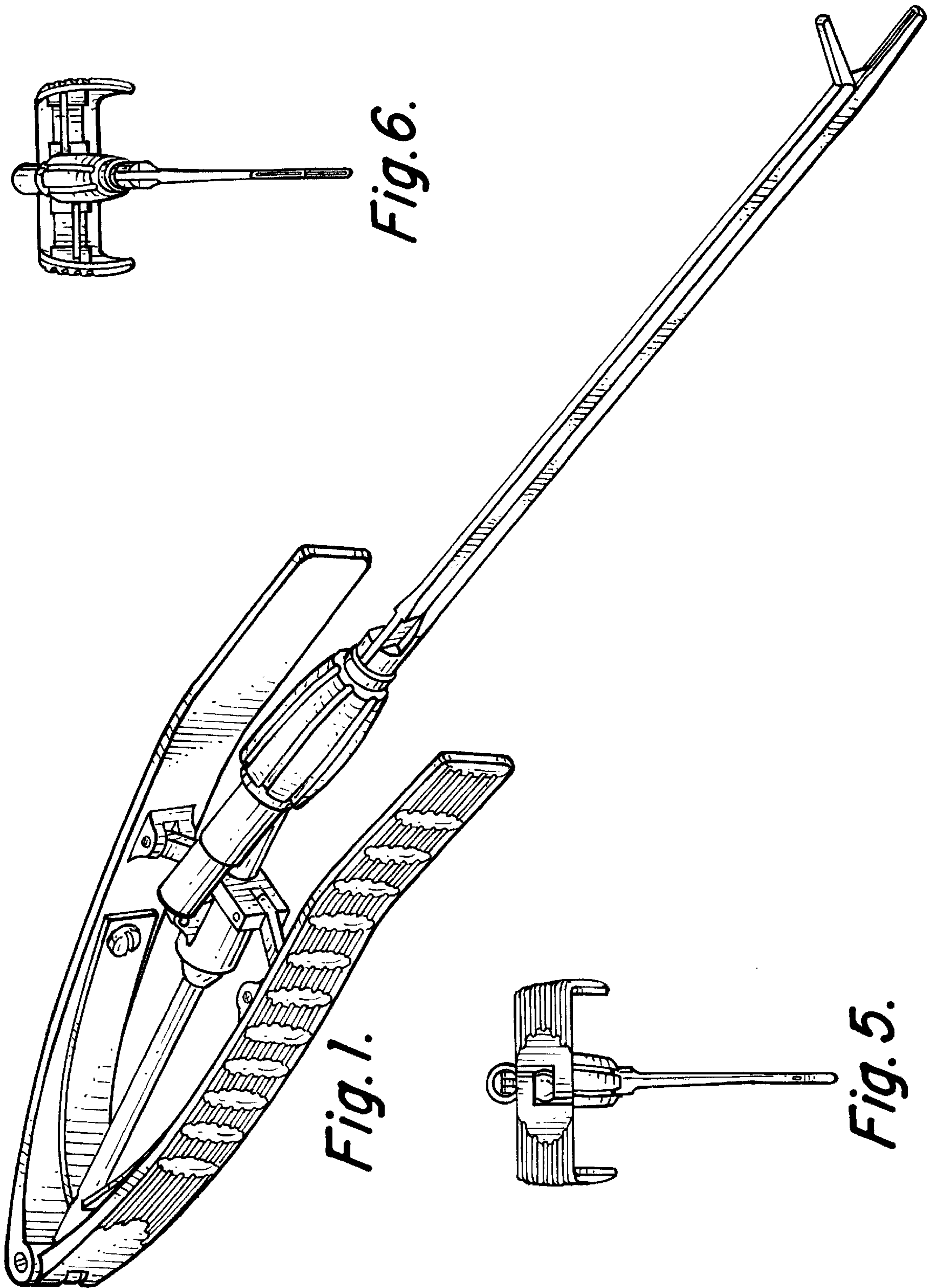


Fig. 6.

Fig. 1.

Fig. 5.

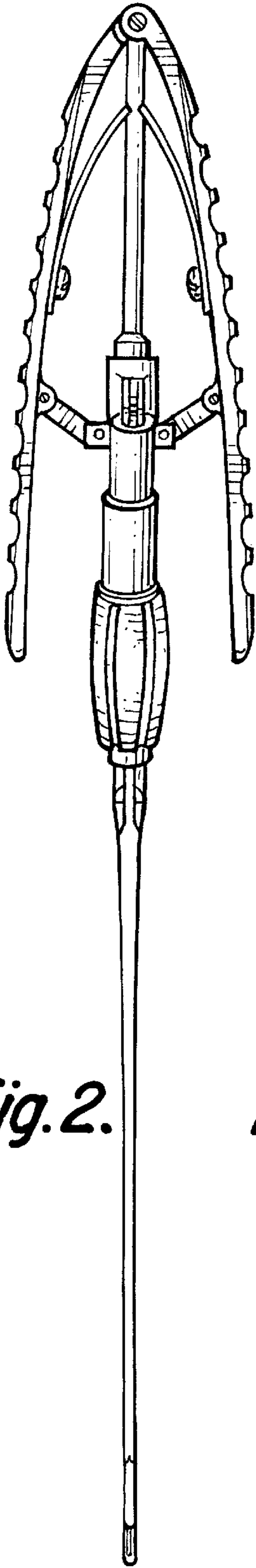


Fig. 2.

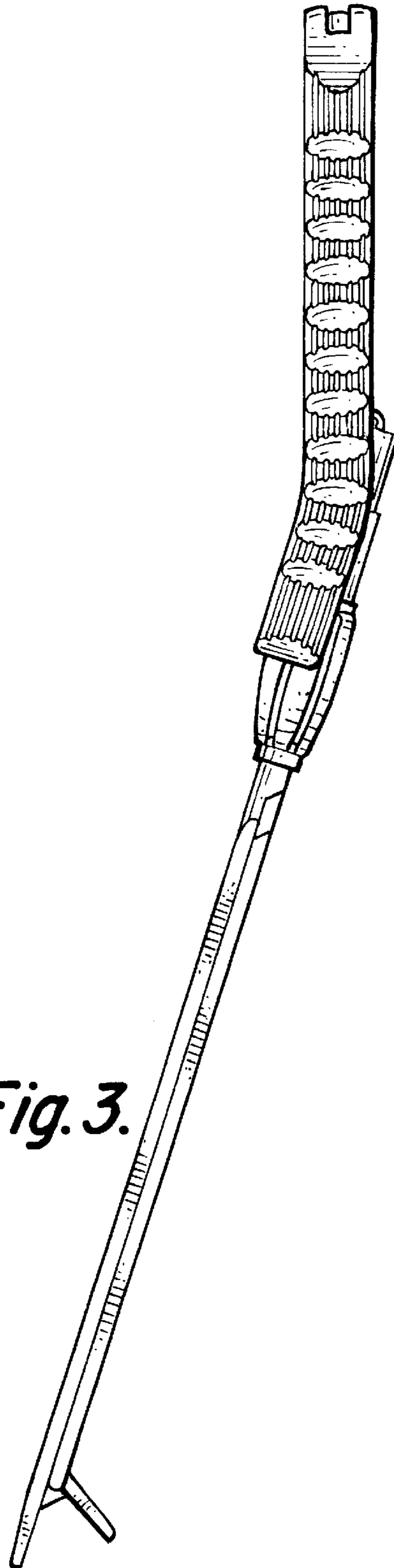


Fig. 3.

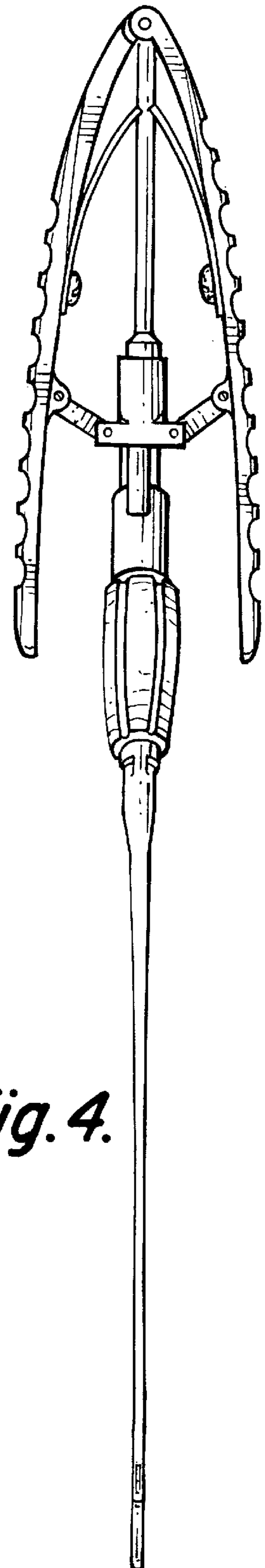


Fig. 4.

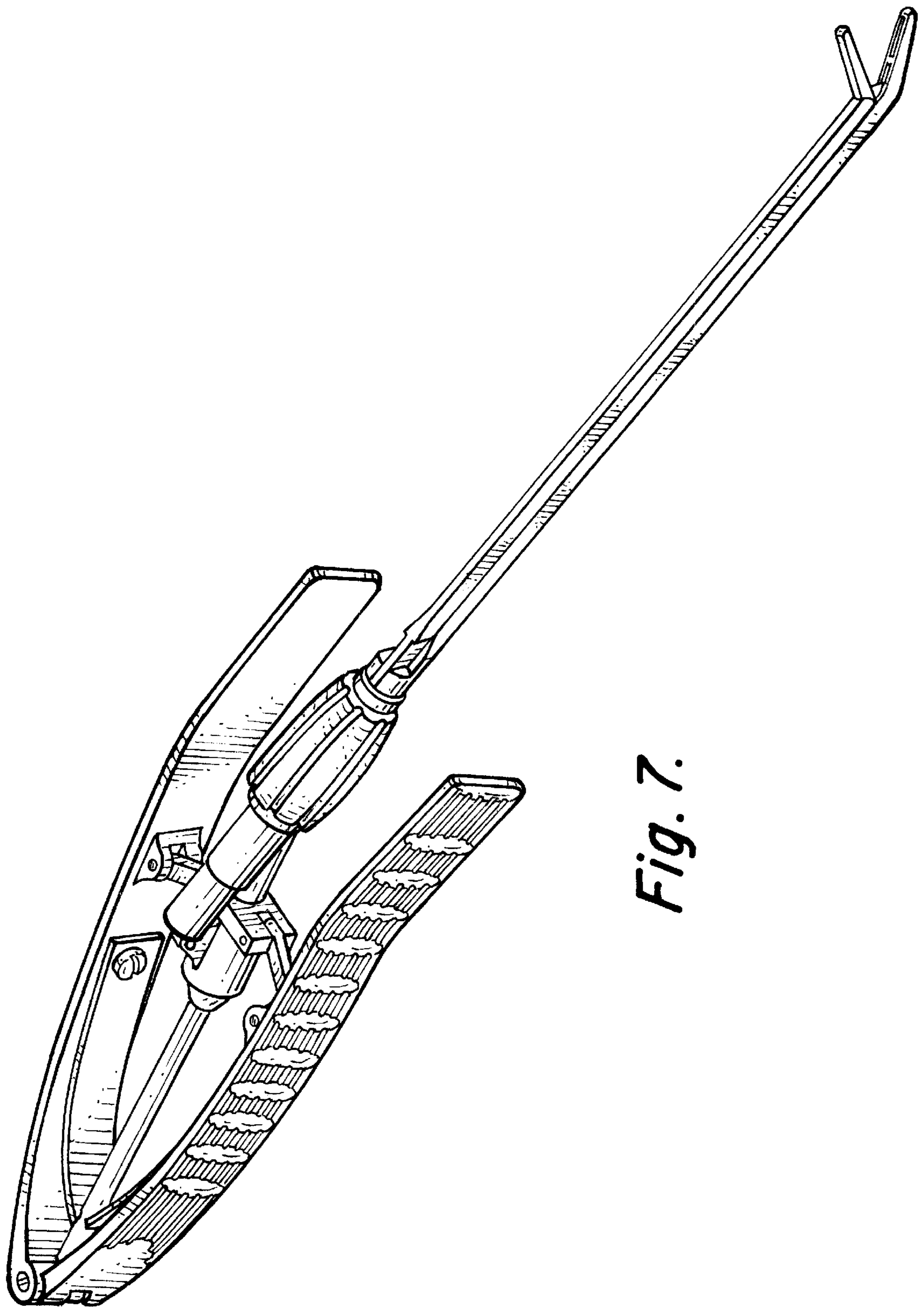


Fig. 7.