



US00D481127S

(12) **United States Design Patent**  
**Hayamizu**

(10) **Patent No.:** **US D481,127 S**

(45) **Date of Patent:** **\*\* Oct. 21, 2003**

(54) **WHITE BALANCE ADJUSTING TUBE FOR ELECTRONIC ENDOSCOPE**

5,880,779 A \* 3/1999 Rhynes ..... 348/223.1

\* cited by examiner

(75) Inventor: **Eiji Hayamizu**, Tokyo (JP)

*Primary Examiner*—Ian Simmons

(73) Assignee: **Pentax Corporation**, Tokyo (JP)

(74) *Attorney, Agent, or Firm*—Sughrue Mion, PLLC

(\*\*) Term: **14 Years**

(57) **CLAIM**

(21) Appl. No.: **29/167,864**

The ornamental design for a white balance adjusting tube for electronic endoscope, as shown.

(22) Filed: **Sep. 24, 2002**

**DESCRIPTION**

(30) **Foreign Application Priority Data**

Mar. 25, 2002 (JP) ..... 2002-007659

FIG. 1 is a perspective view of the top, front and left side of a white balance adjusting tube for electronic endoscope showing my new design;

(51) **LOC (7) Cl.** ..... **24-02**

FIG. 2 is a left side elevational view thereof;

(52) **U.S. Cl.** ..... **D24/138**

FIG. 3 is a top plan view thereof;

(58) **Field of Search** ..... D24/138, 137, D24/107, 127, 128, 140; 348/223.1, 655, 68, 376; 600/132, 134, 453, 459, 461, 160

FIG. 4 is a rear elevational view thereof;

FIG. 5 is a front elevational view thereof;

(56) **References Cited**

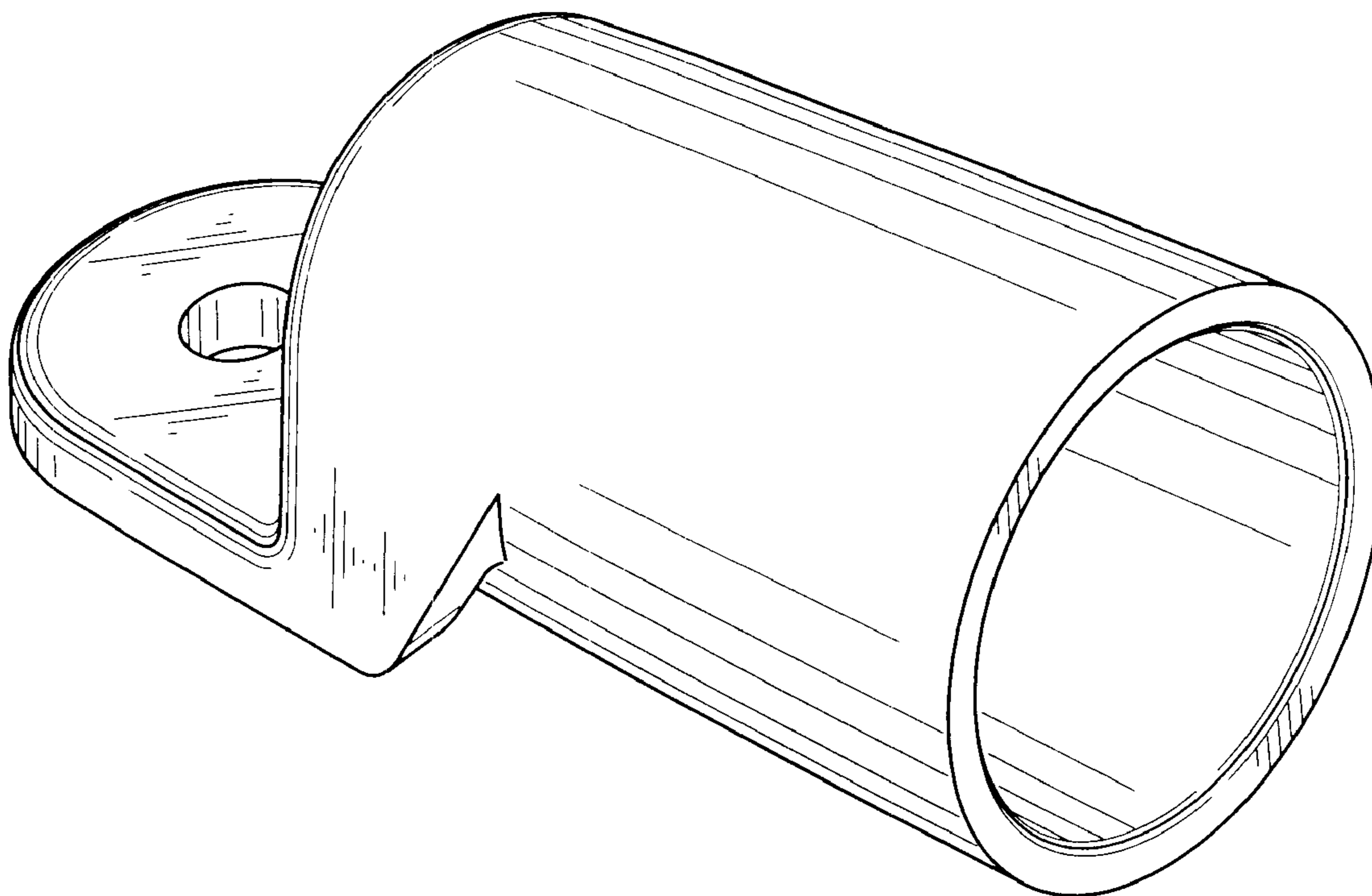
**U.S. PATENT DOCUMENTS**

5,365,267 A \* 11/1994 Edwards ..... 348/68

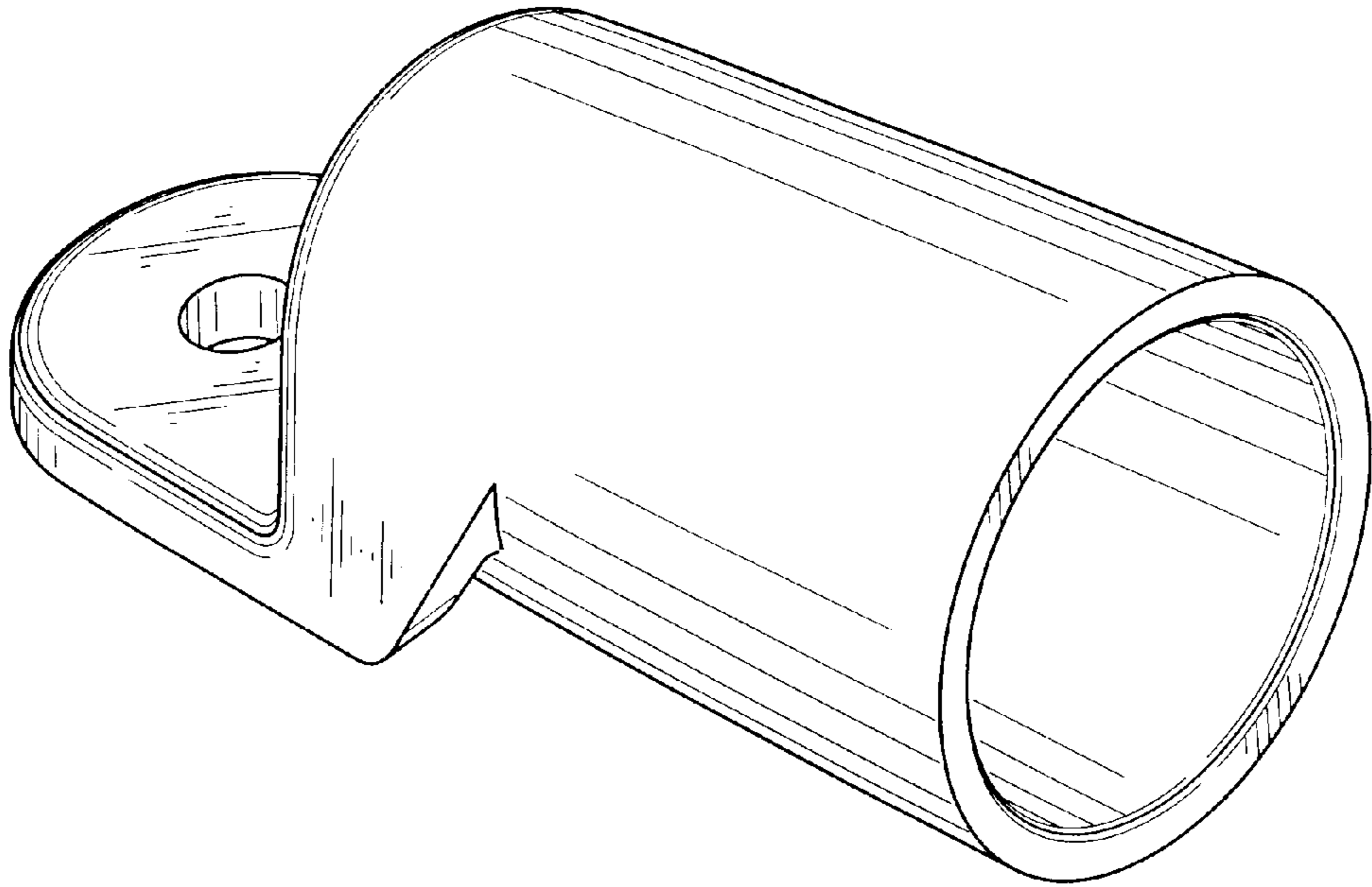
FIG. 6 is a right side elevational view thereof; and,

FIG. 7 is a bottom plan view thereof.

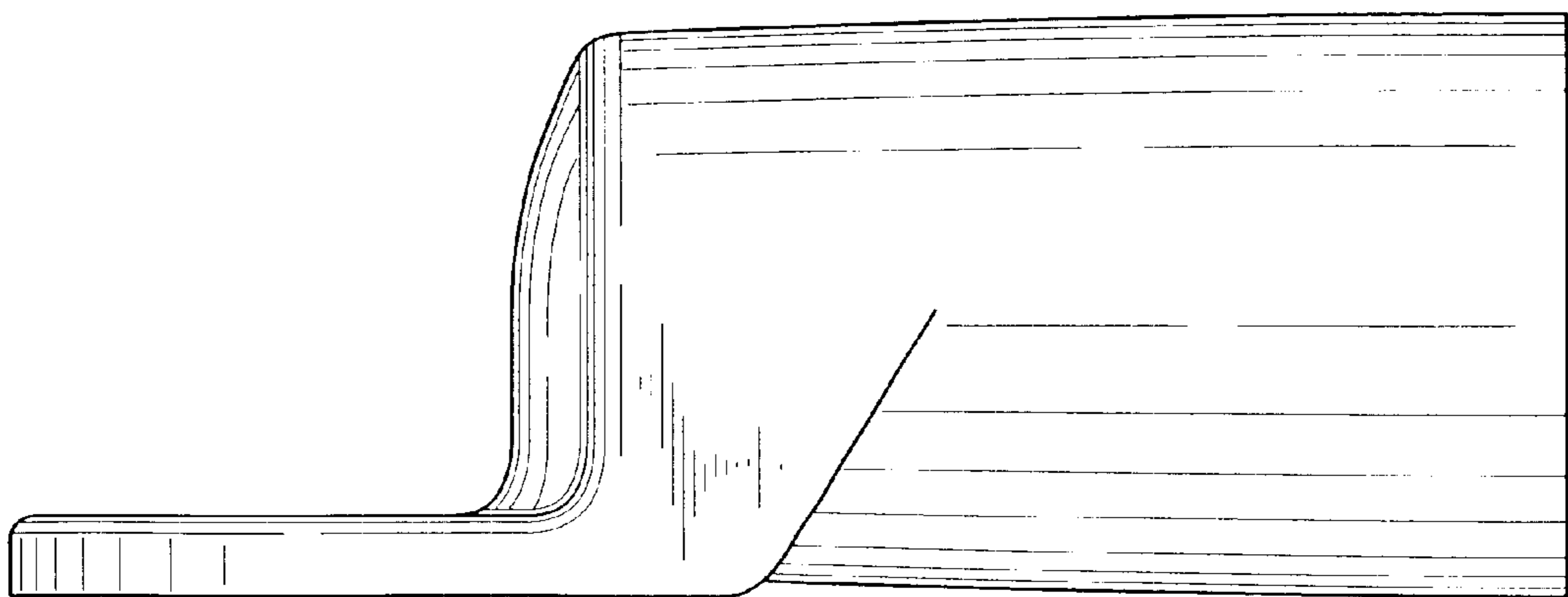
**1 Claim, 3 Drawing Sheets**



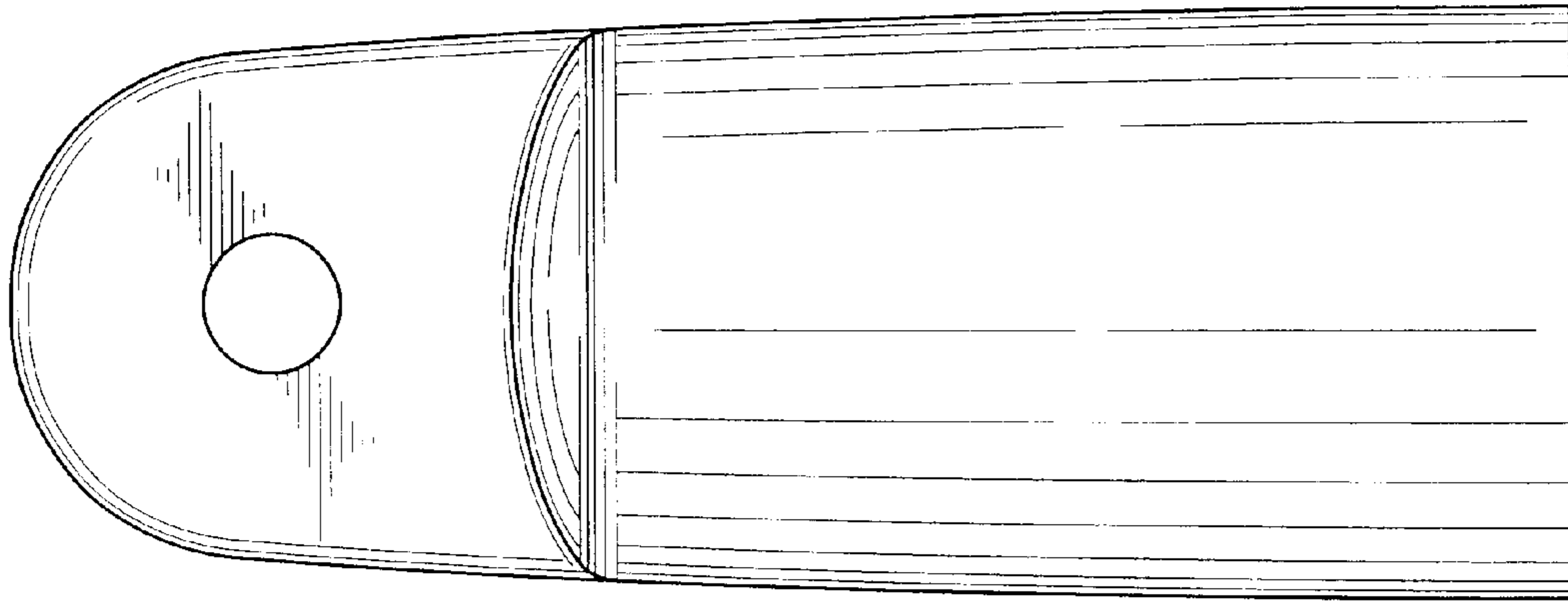
*FIG. 1*



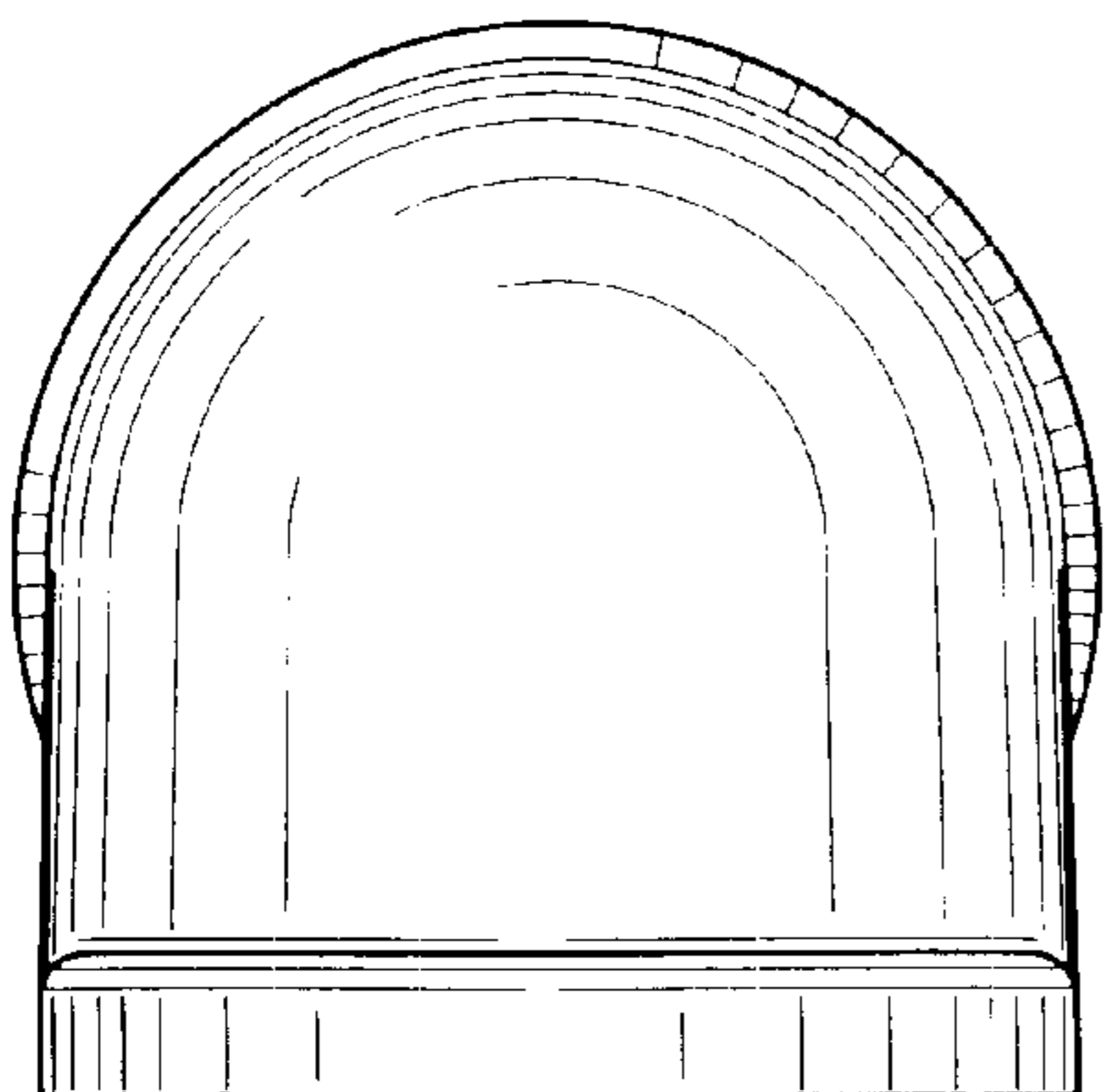
*FIG. 2*



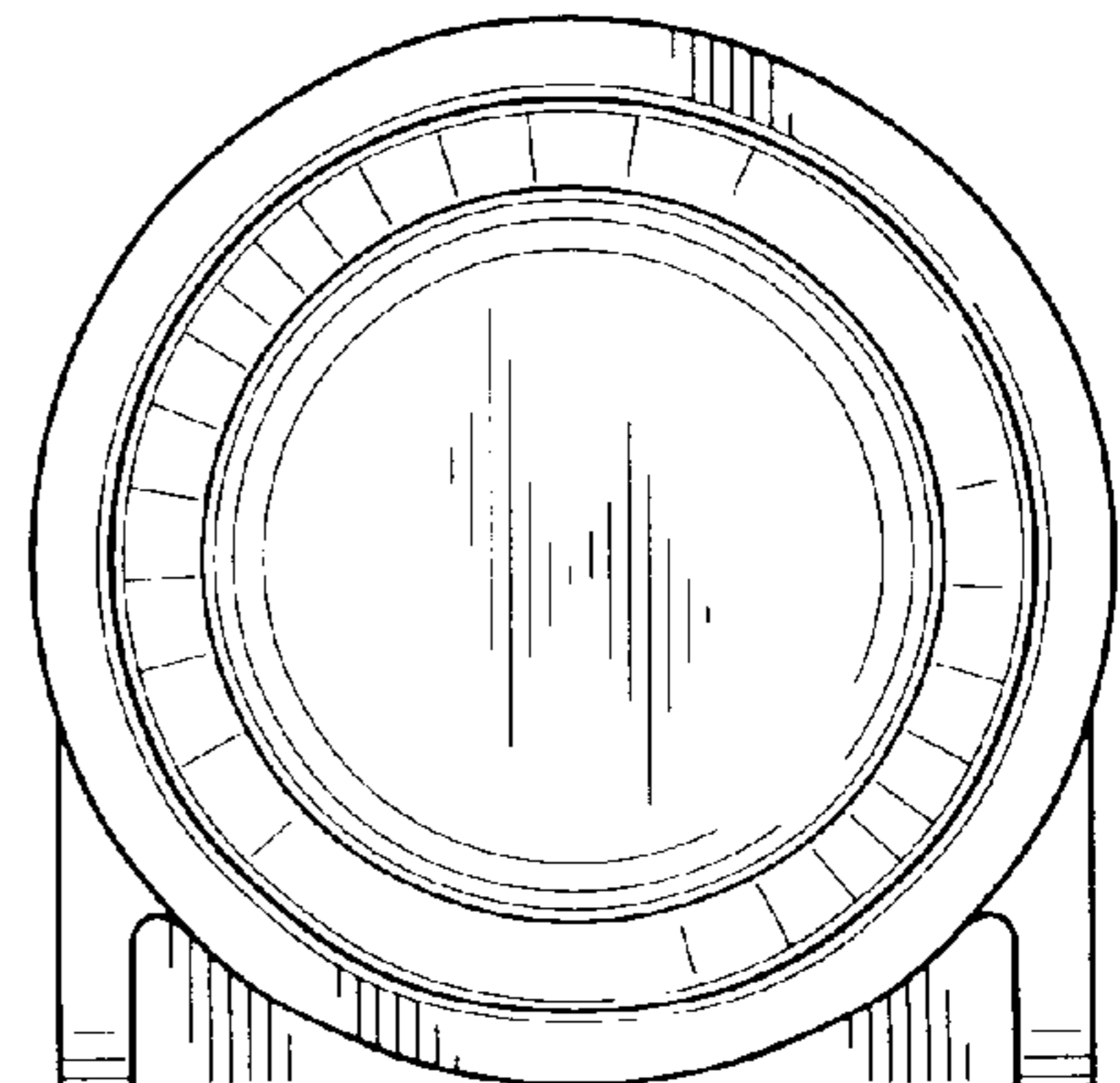
*FIG. 3*



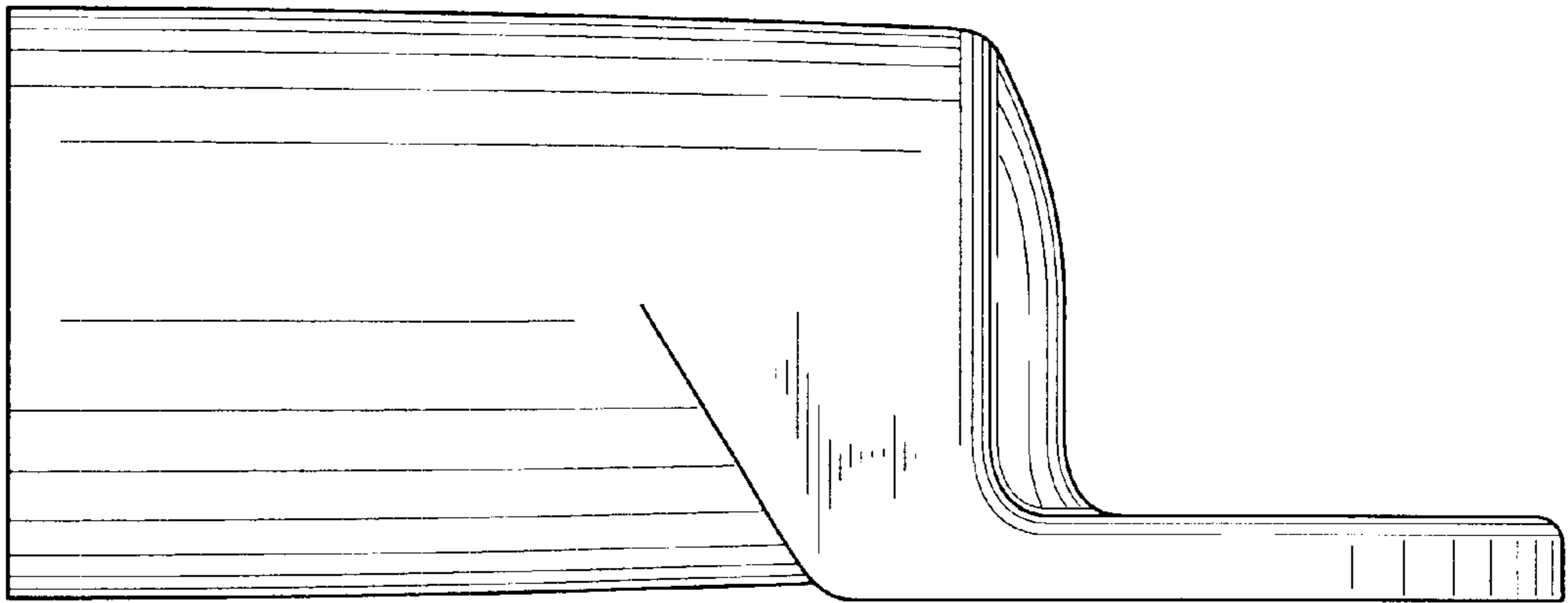
*FIG. 4*



*FIG. 5*



*FIG. 6*



*FIG. 7*

