



US00D481126S

(12) **United States Design Patent**
Hayamizu

(10) **Patent No.:** **US D481,126 S**

(45) **Date of Patent:** **** Oct. 21, 2003**

(54) **REMOTE CONTROL SWITCH FOR ENDOSCOPE**

FOREIGN PATENT DOCUMENTS

JP 932 630 8/1995

* cited by examiner

Primary Examiner—Ian Simmons

(74) *Attorney, Agent, or Firm*—Sughrue Mion, PLLC

(75) Inventor: **Eiji Hayamizu**, Tokyo (JP)

(73) Assignee: **Pentax Corporation**, Tokyo (JP)

(**) Term: **14 Years**

(57) **CLAIM**

(21) Appl. No.: **29/166,265**

The ornamental design for a remote control switch for endoscope, as shown and described.

(22) Filed: **Aug. 26, 2002**

(30) **Foreign Application Priority Data**

DESCRIPTION

Feb. 27, 2002 (JP) 2002-004978

FIG. 1 is a perspective view of the top, front and one end of a remote control switch for endoscope showing my new design;

(51) **LOC (7) Cl.** **24-02**

FIG. 2 is a front elevational view thereof;

(52) **U.S. Cl.** **D24/138**

FIG. 3 is a rear elevational view thereof;

(58) **Field of Search** D24/138, 137, D24/108, 113; 600/158, 160, 163, 111, 132, 167, 168

FIG. 4 is an end elevational view of said one end thereof;

FIG. 5 is an end elevational view from an opposite end thereof, the remote control switch not being visible;

(56) **References Cited**

U.S. PATENT DOCUMENTS

- 5,447,148 A * 9/1995 Oneda et al. 600/158
- 5,993,381 A * 11/1999 Ito 600/167
- 6,099,466 A * 8/2000 Sano et al. 600/160
- 6,443,888 B1 * 9/2002 Ogura et al. 600/132
- 6,520,908 B1 * 2/2003 Ikeda et al. 600/132

FIG. 6 is a top plan view thereof; and,

FIG. 7 is a bottom plan view thereof.

The elements shown in broken lines do not form any part of the claimed design.

1 Claim, 5 Drawing Sheets

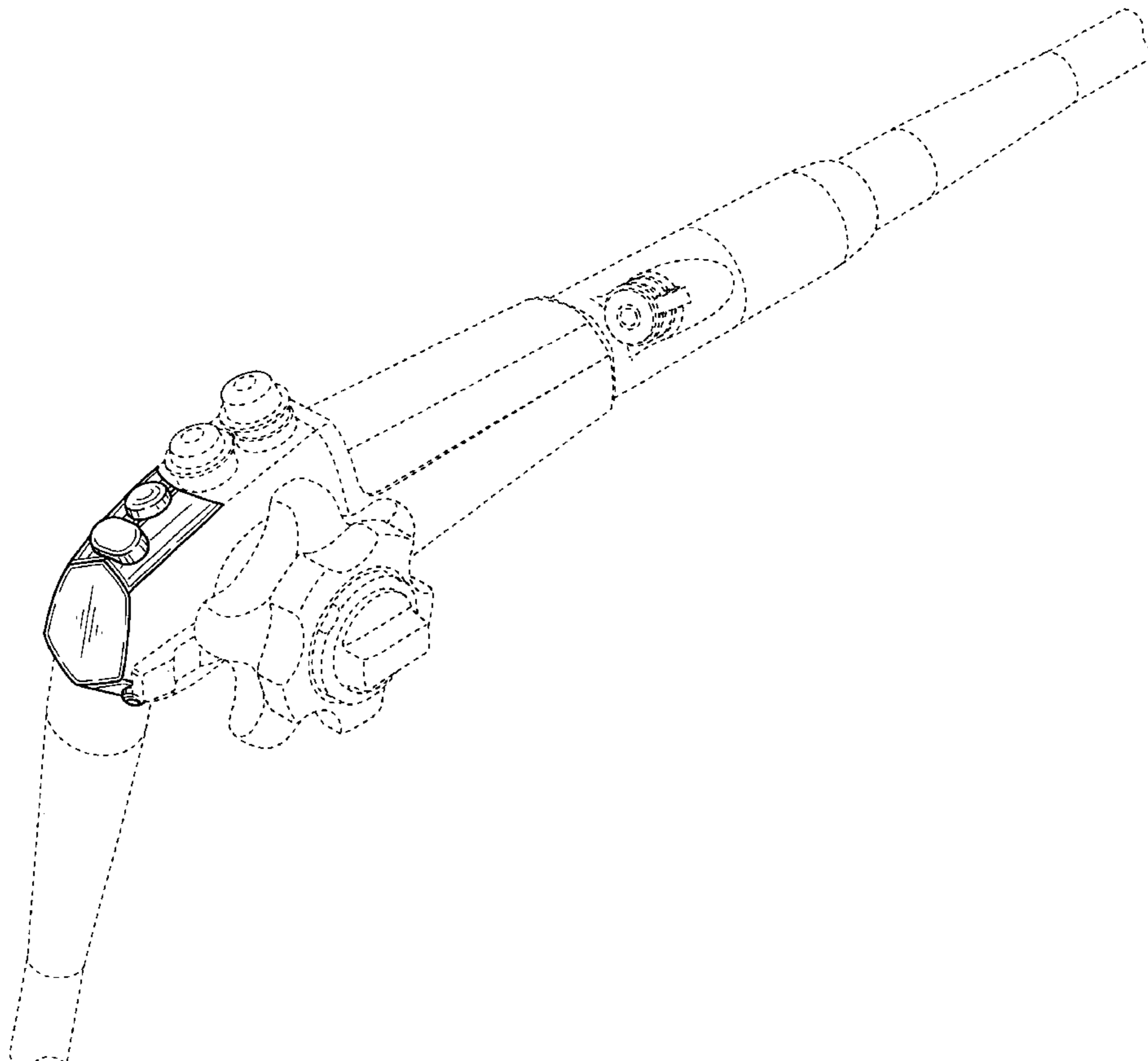


FIG. 1

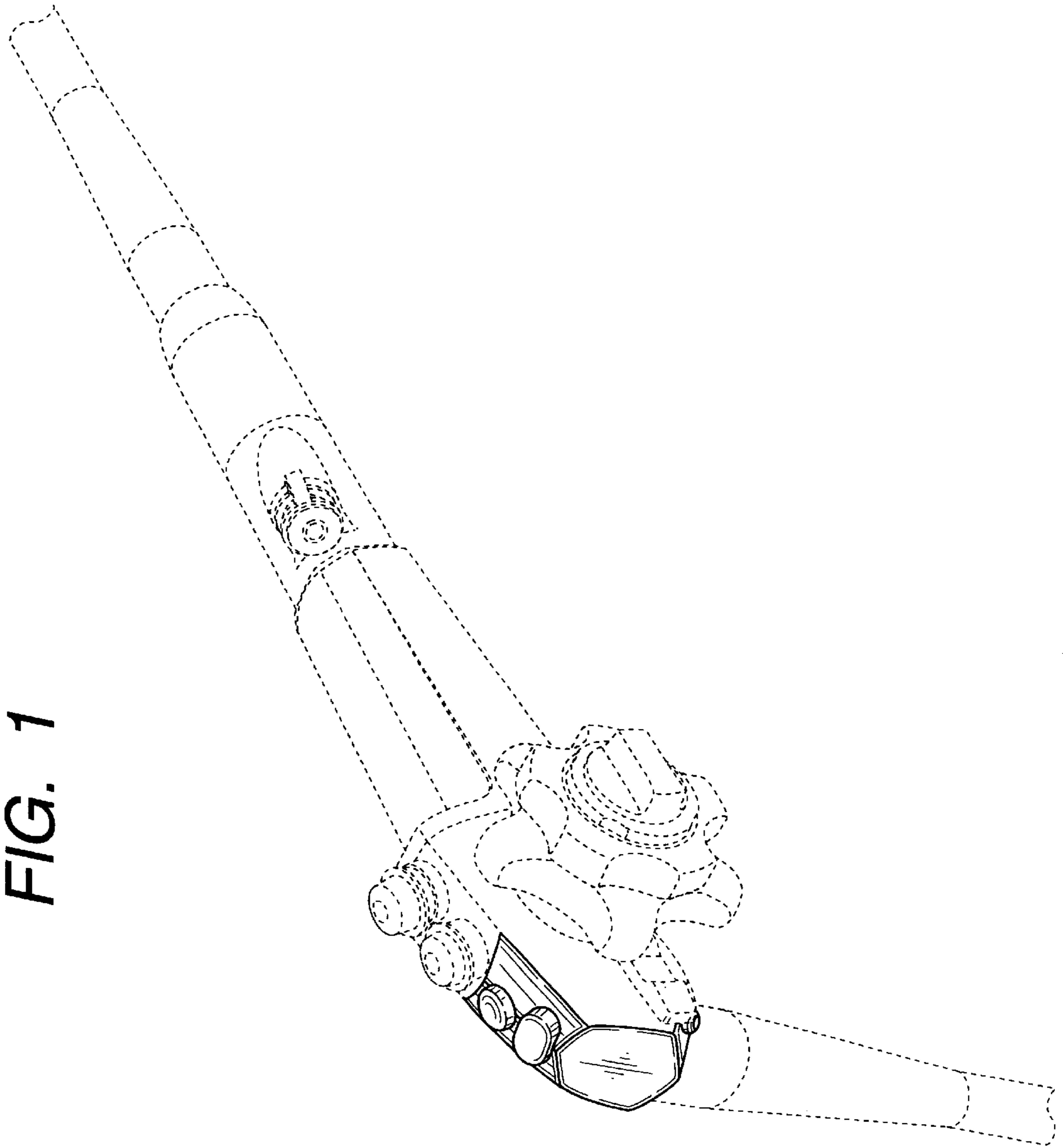


FIG. 2

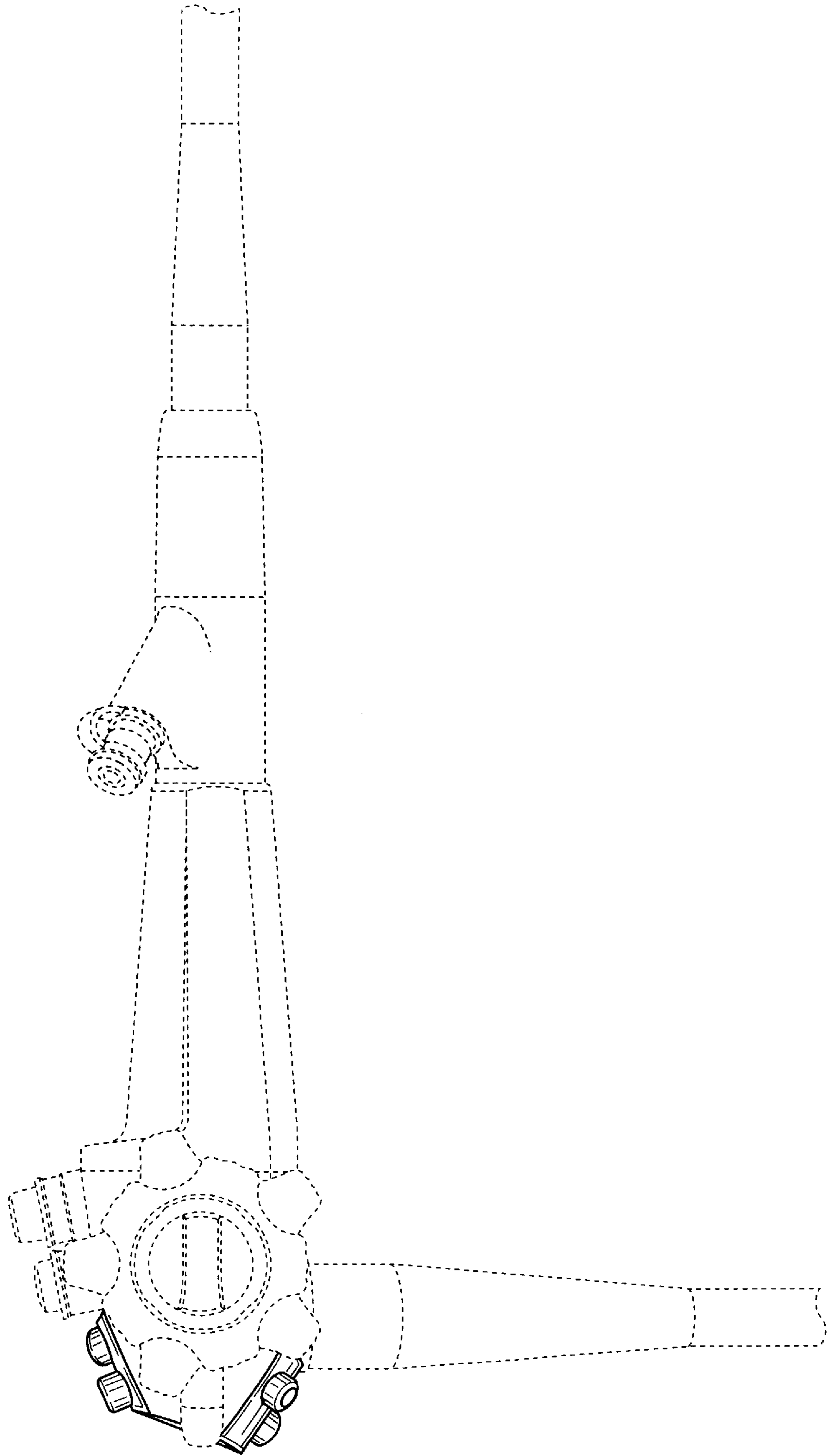


FIG. 3

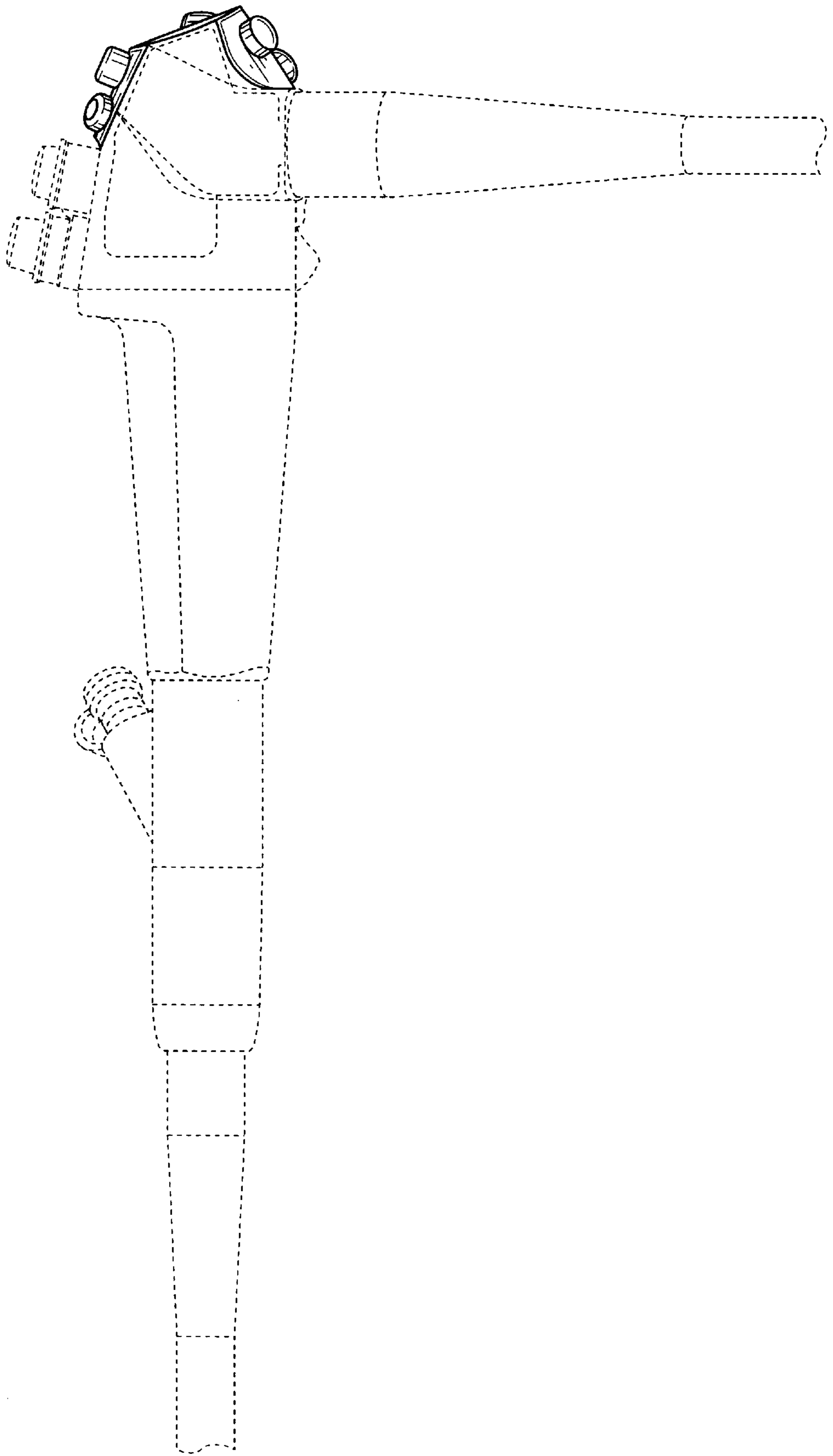


FIG. 4

FIG. 5

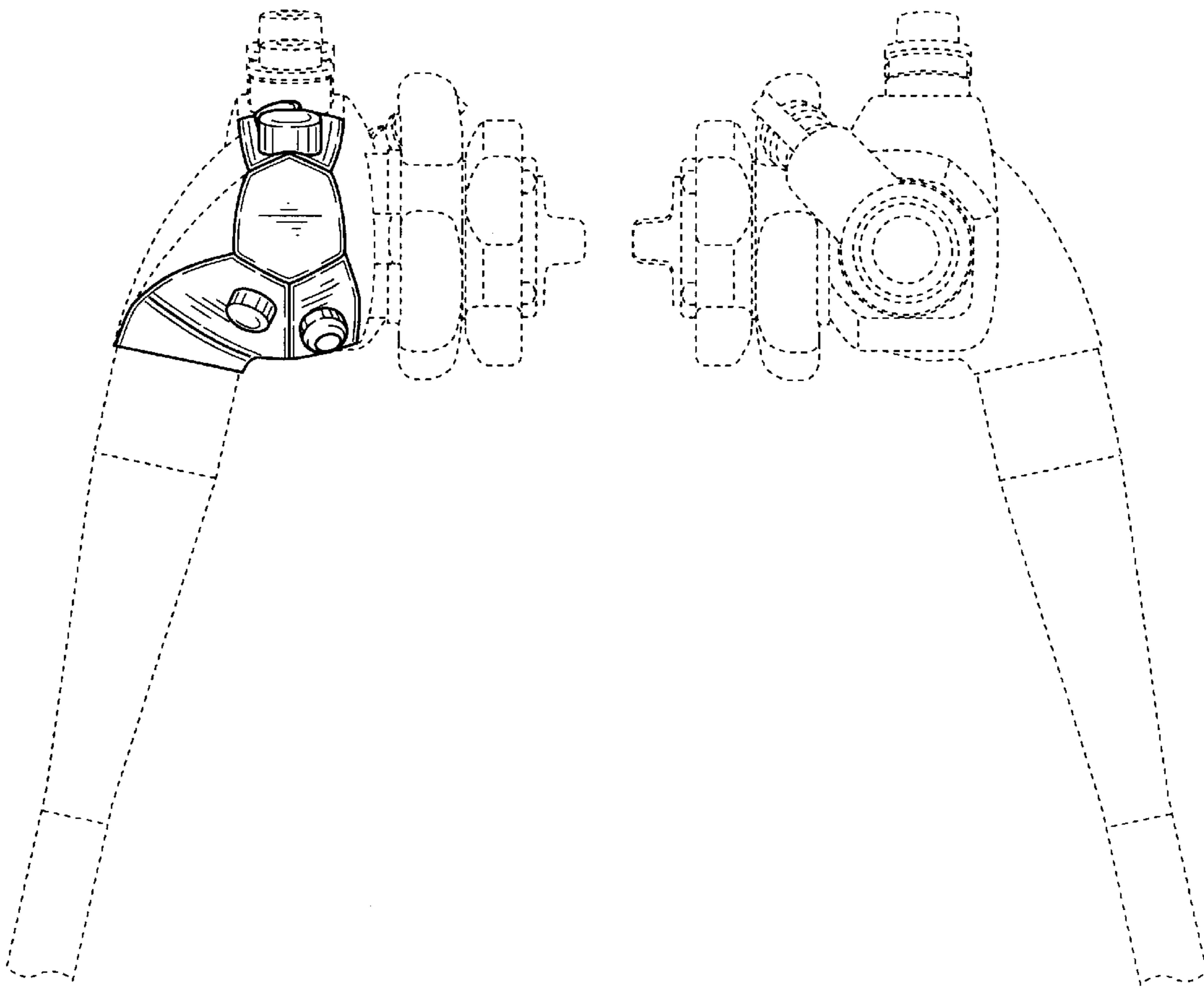


FIG. 6

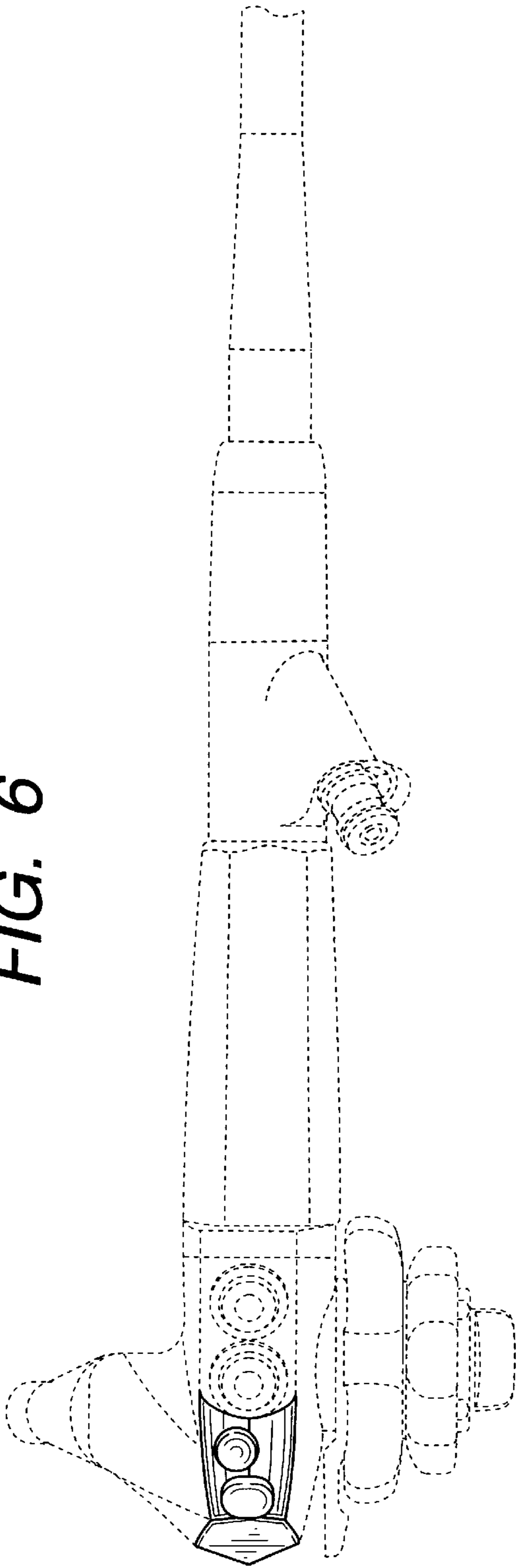


FIG. 7

