



US00D481125S

(12) **United States Design Patent**
Hayamizu

(10) **Patent No.:** **US D481,125 S**

(45) **Date of Patent:** **** Oct. 21, 2003**

(54) **CONNECTOR FOR ENDOSCOPE**

6,488,632 B2 * 12/2002 Ohara et al. 600/462
6,511,431 B2 * 1/2003 Ohara et al. 600/459

(75) Inventor: **Eiji Hayamizu**, Tokyo (JP)

* cited by examiner

(73) Assignee: **Pentax Corporation**, Tokyo (JP)

Primary Examiner—Ian Simmons

(**) Term: **14 Years**

(74) *Attorney, Agent, or Firm*—Sughrue Mion, PLLC

(21) Appl. No.: **29/165,153**

(57) **CLAIM**

(22) Filed: **Aug. 7, 2002**

The ornamental design for a connector for endoscope, as shown and described.

(30) **Foreign Application Priority Data**

DESCRIPTION

Feb. 8, 2002 (JP) 2002-003180

(51) **LOC (7) Cl.** **24-02**

(52) **U.S. Cl.** **D24/138; D24/129**

(58) **Field of Search** D24/138, 137,
D24/129; 600/132, 174, 134, 453, 459,
461, 160, 462; 348/75, 65

FIG. 1 is a perspective view of the top, one end and one side of a connector for endoscope showing my new design;
FIG. 2 is a top plan view thereof;
FIG. 3 is a side elevational view of said one side thereof;
FIG. 4 is an end elevational view of said one end thereof;
FIG. 5 is an end elevational view of an opposite end thereof;
FIG. 6 is a side elevational view of an opposite side thereof;
and,
FIG. 7 is a bottom plan view thereof.
The broken line showing is for illustrative purposes only and forms no part of the claimed design.

(56) **References Cited**

U.S. PATENT DOCUMENTS

6,099,466 A * 8/2000 Sano et al. 600/160
6,319,197 B1 * 11/2001 Tsuji et al. 600/132
6,348,035 B1 * 2/2002 Takami 600/132

1 Claim, 4 Drawing Sheets

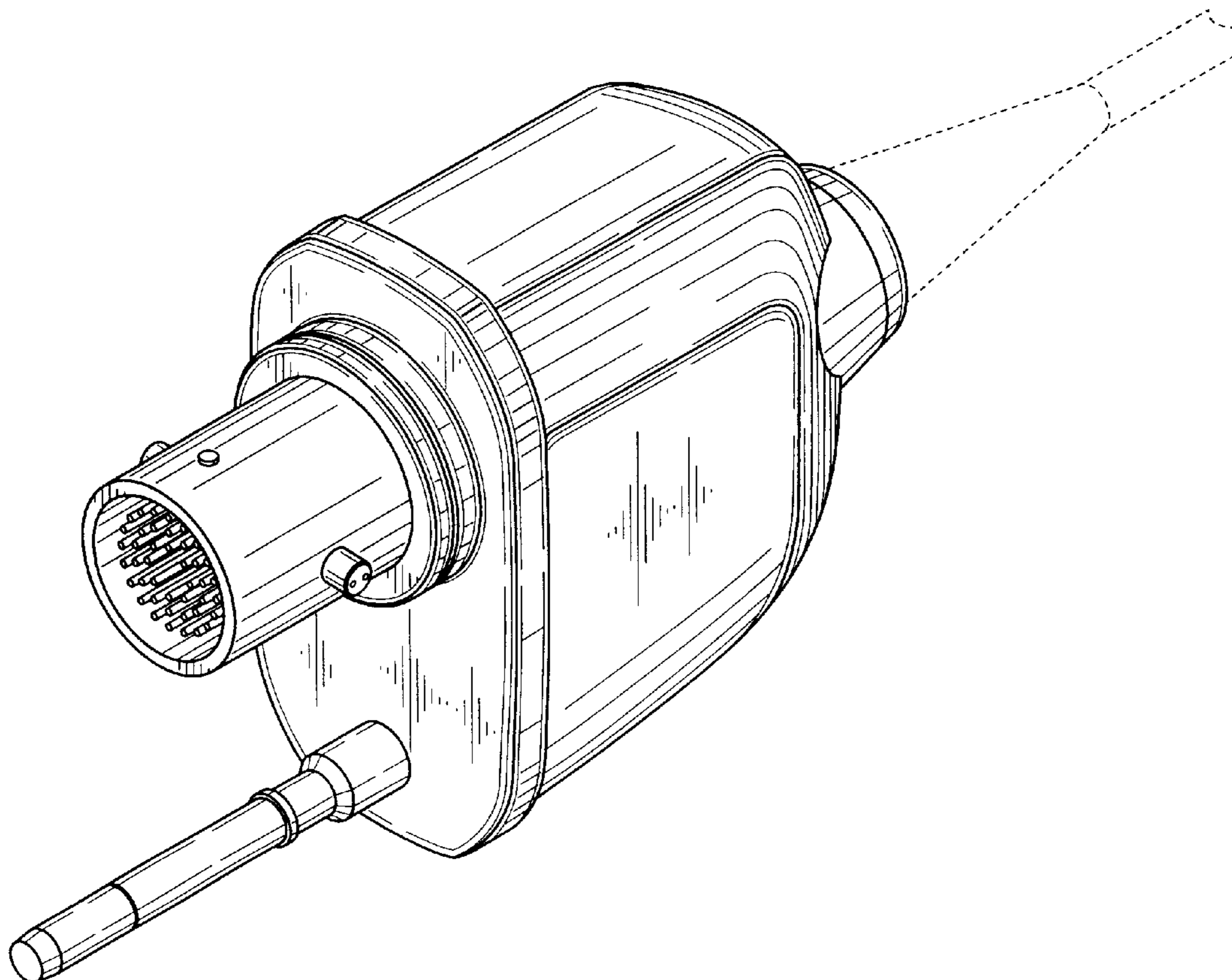
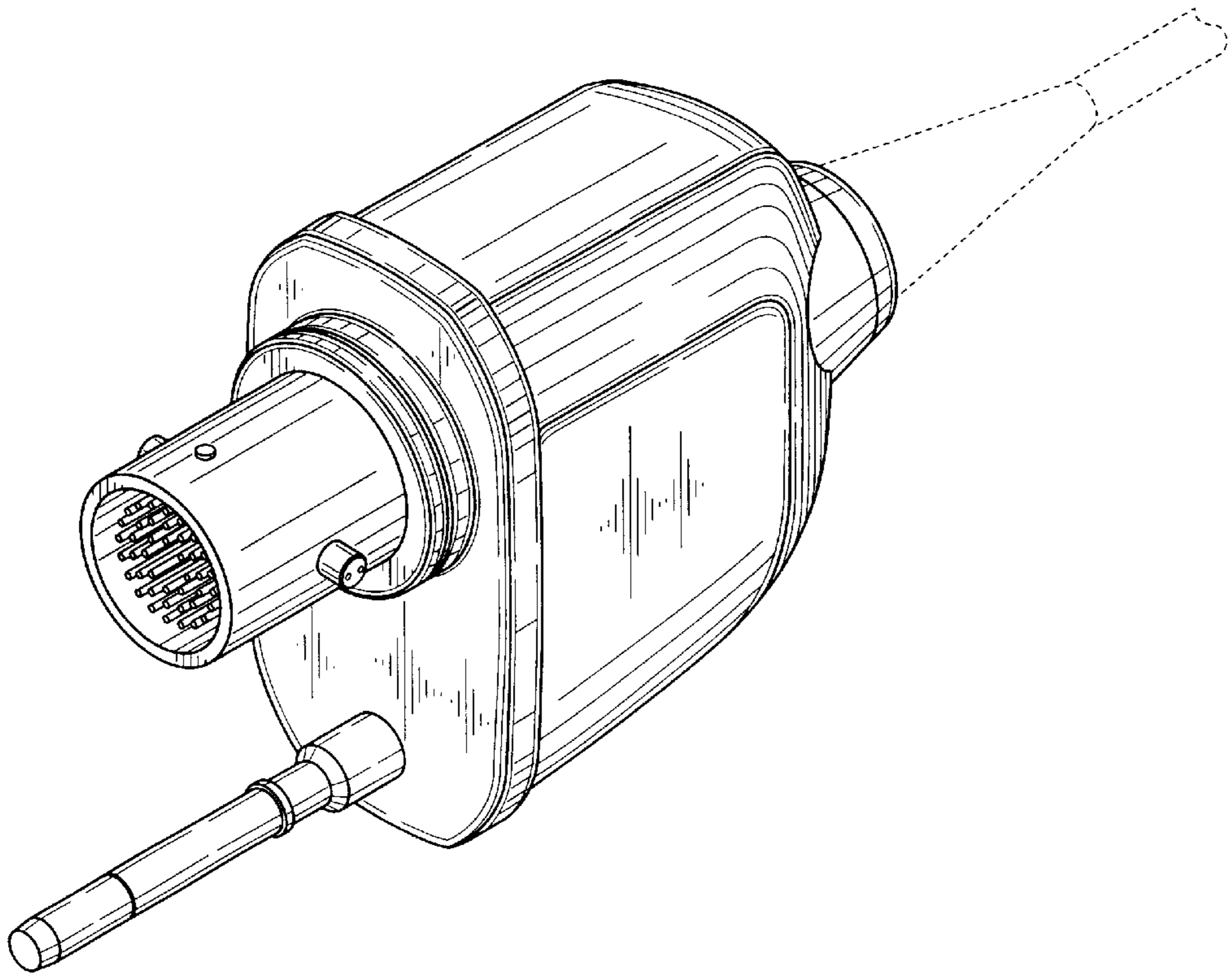


FIG. 1



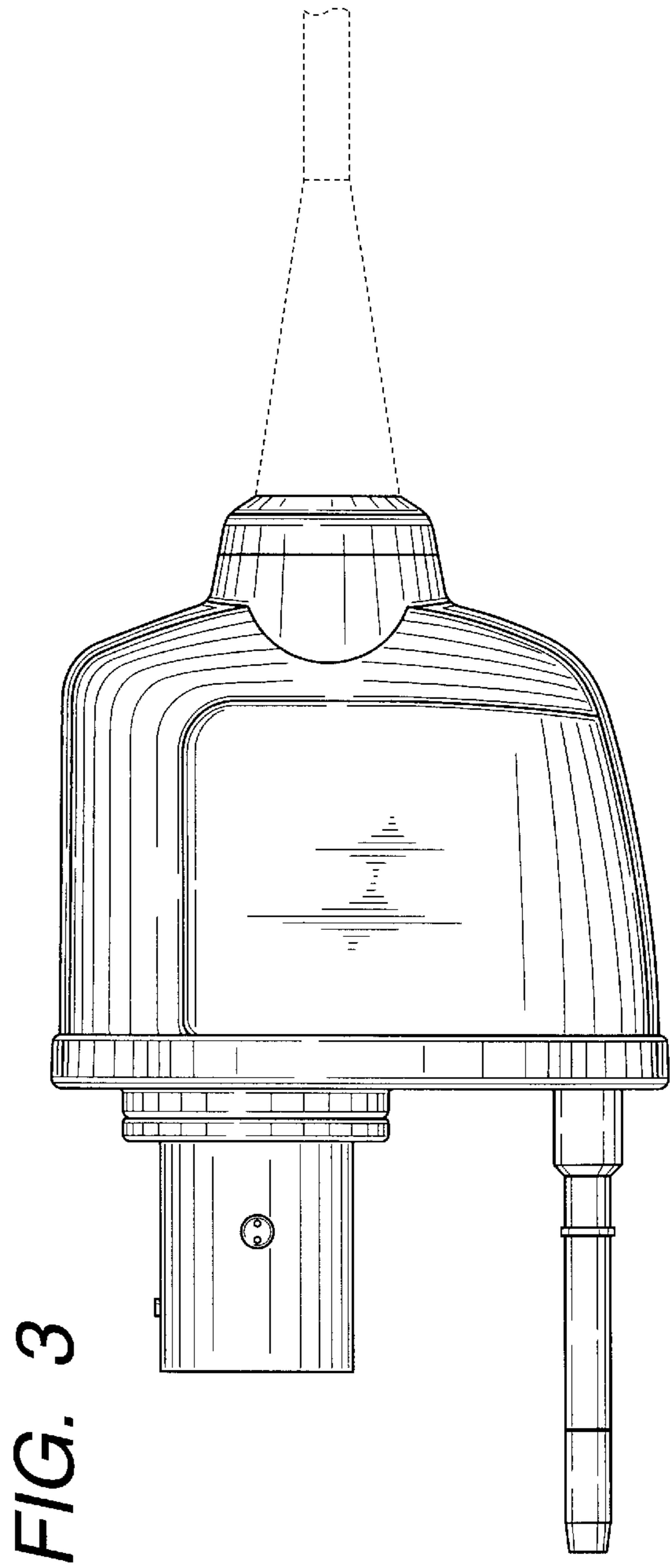
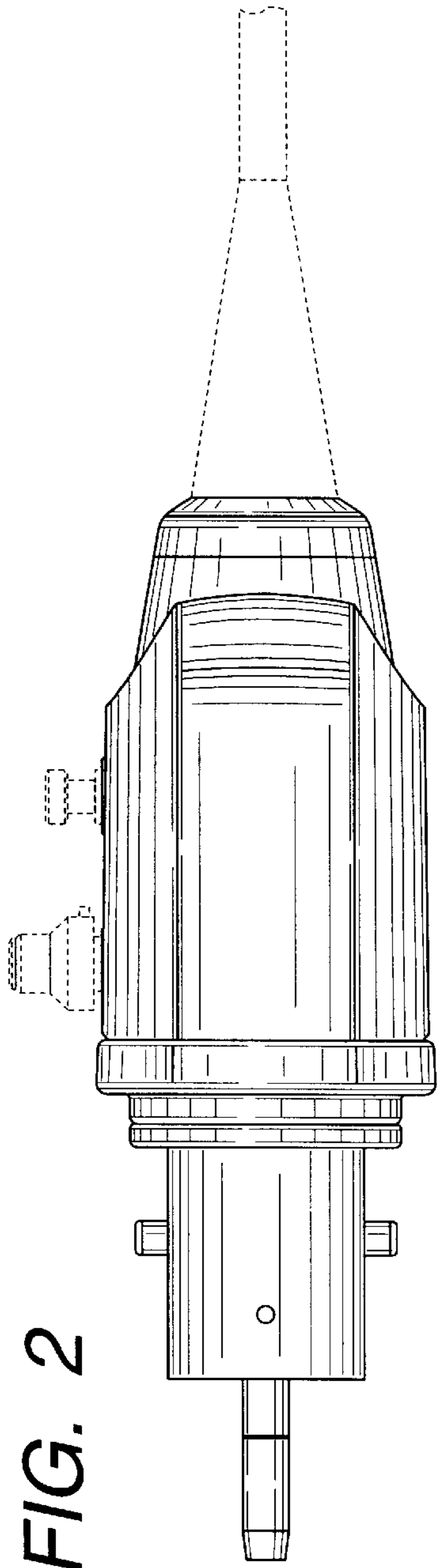


FIG. 4

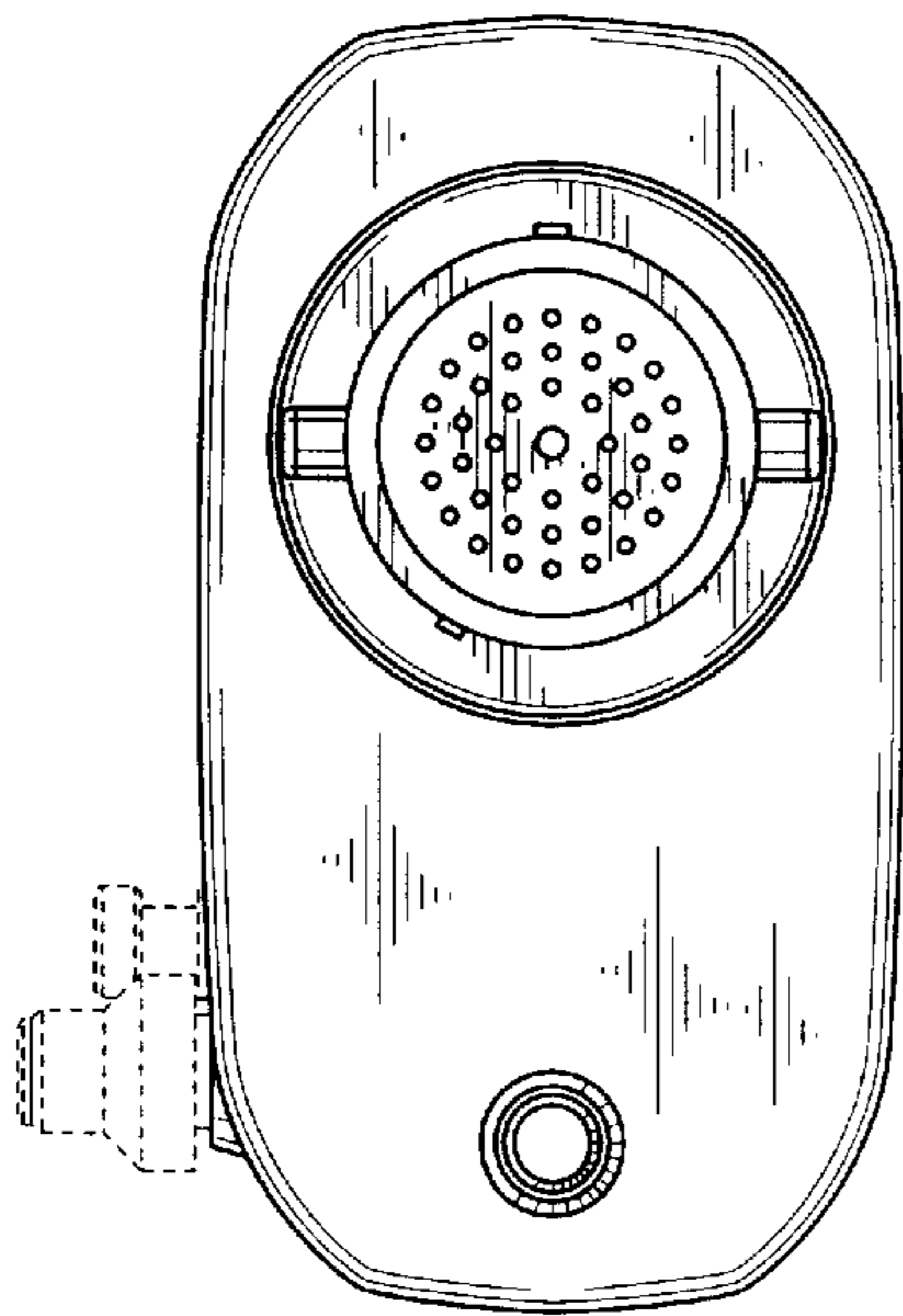
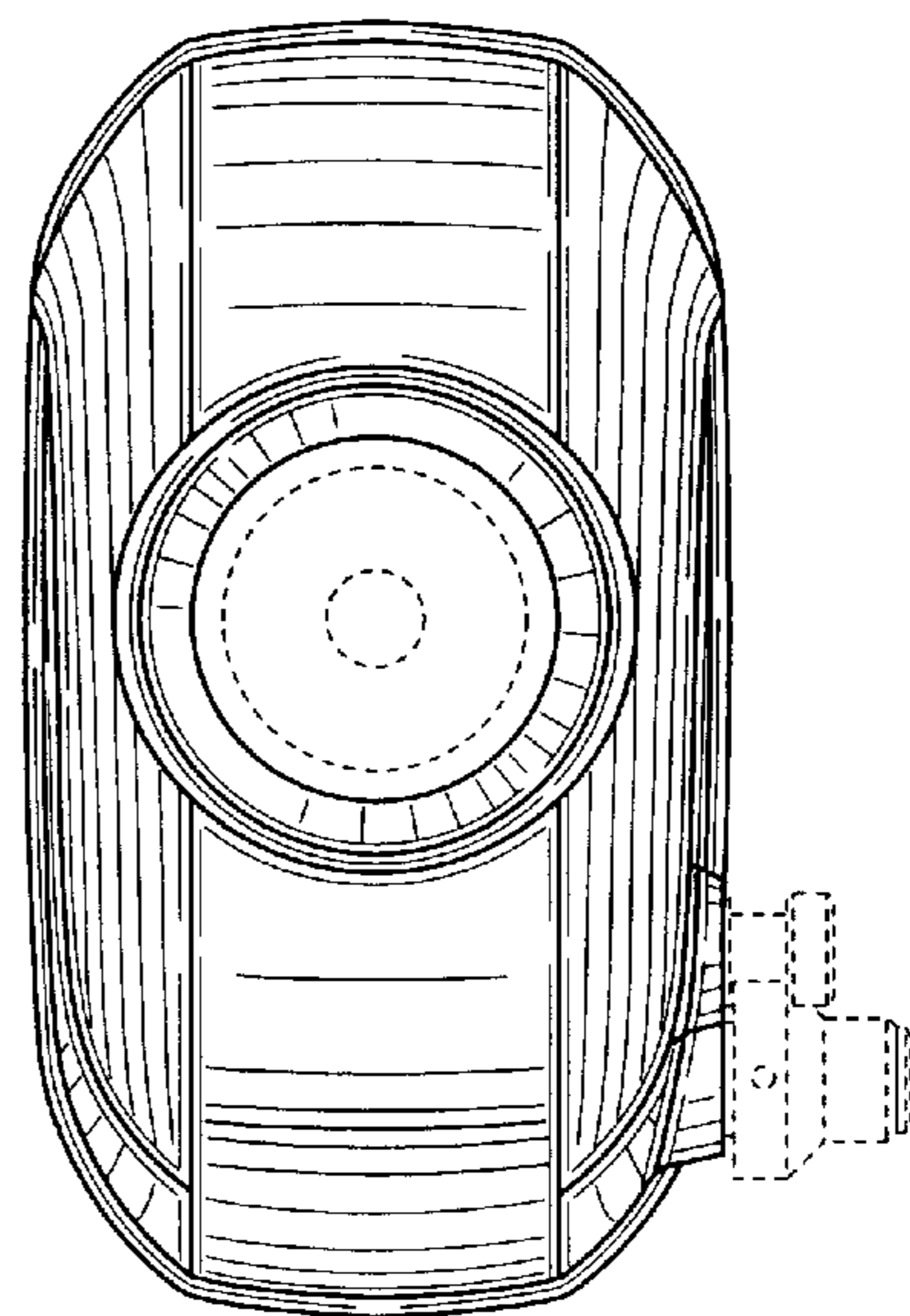


FIG. 5



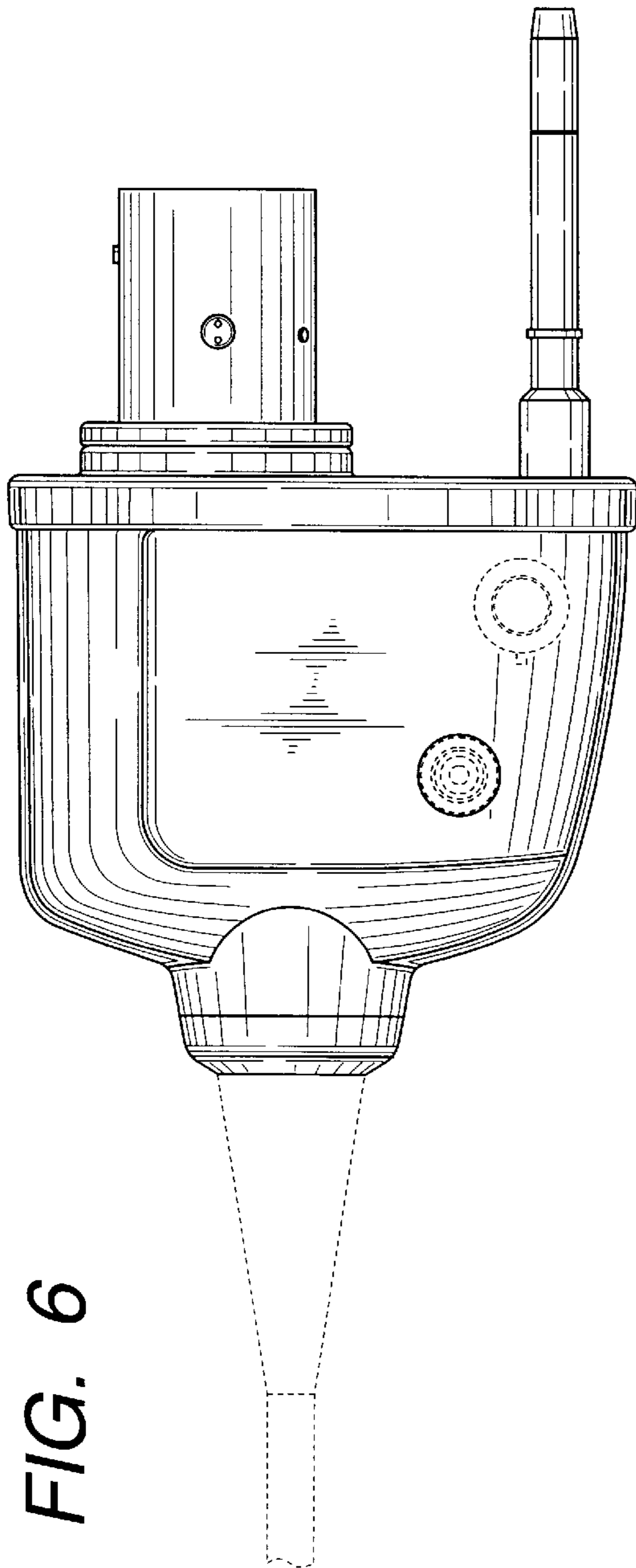


FIG. 6

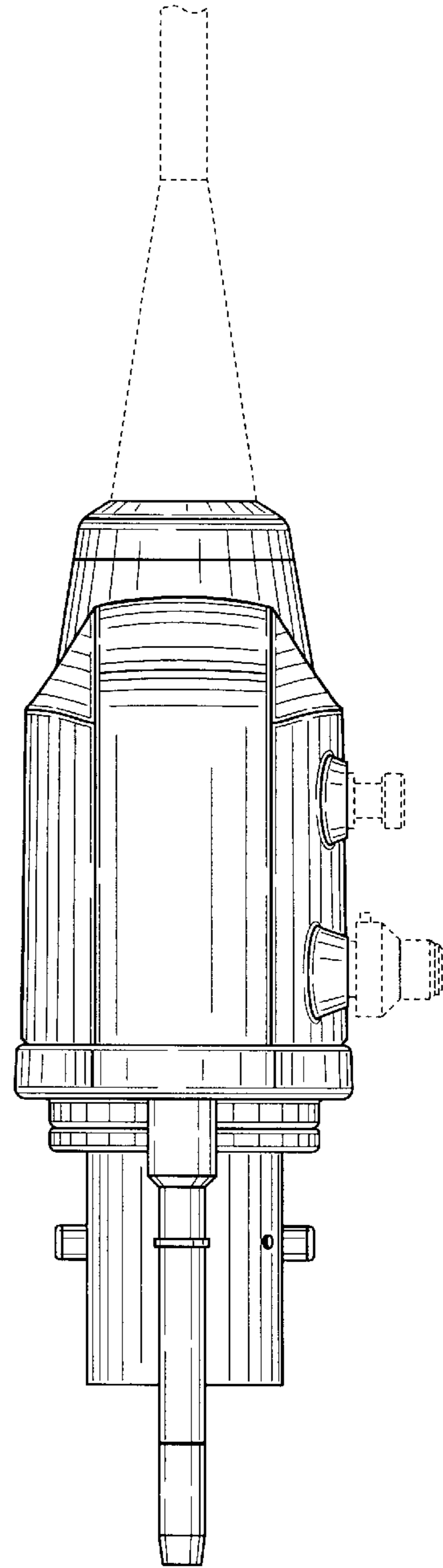


FIG. 7