



US00D481124S

(12) **United States Design Patent**
Hayamizu

(10) **Patent No.:** **US D481,124 S**

(45) **Date of Patent:** **** Oct. 21, 2003**

(54) **ENDOSCOPE**

(75) Inventor: **Eiji Hayamizu**, Tokyo (JP)

(73) Assignee: **Pentax Corporation**, Tokyo (JP)

(**) Term: **14 Years**

(21) Appl. No.: **29/165,143**

(22) Filed: **Aug. 7, 2002**

(30) **Foreign Application Priority Data**

Feb. 8, 2002 (JP) 2002-003182
Feb. 8, 2002 (JP) 2002-003184

(51) **LOC (7) Cl.** **24-02**

(52) **U.S. Cl.** **D24/138**

(58) **Field of Search** D24/138, 137;
600/131, 132, 140, 163, 197, 160, 148,
149, 167, 168, 158, 110, 119

(56) **References Cited**

U.S. PATENT DOCUMENTS

D269,457 S * 6/1983 Ishiwara D24/138
D277,407 S * 1/1985 Imada D24/138
4,617,914 A * 10/1986 Ueda 600/148
6,450,947 B1 * 9/2002 Arai 600/160
6,491,627 B1 * 12/2002 Komi 600/146

FOREIGN PATENT DOCUMENTS

JP 815714 8/1991

* cited by examiner

Primary Examiner—Ian Simmons

(74) *Attorney, Agent, or Firm*—Sughrue Mion, PLLC

(57) **CLAIM**

The ornamental design for an endoscope, as shown and described.

DESCRIPTION

FIG. 1 is a perspective view of the top, one end and one side of an endoscope showing my new design according to a first embodiment;

FIG. 2 is a top plan view thereof;

FIG. 3 is a side elevational view of said one side thereof;

FIG. 4 is an end elevational view of an opposite end thereof;

FIG. 5 is an end elevational view of said one end thereof;

FIG. 6 is a side elevational view of an opposite side thereof;

FIG. 7 is a bottom plan view thereof;

FIG. 8 is a perspective view of the top, one end and one side of an endoscope according to a second embodiment;

FIG. 9 is a top plan view thereof;

FIG. 10 is a side elevational view of said one side thereof;

FIG. 11 is an end elevational view of an opposite end thereof;

FIG. 12 is an end elevational view of said one end thereof;

FIG. 13 is a side elevational view of an opposite side thereof; and,

FIG. 14 is a bottom plan view thereof.

The broken line showing is for illustrative purposes only and forms no part of the claimed design.

1 Claim, 8 Drawing Sheets

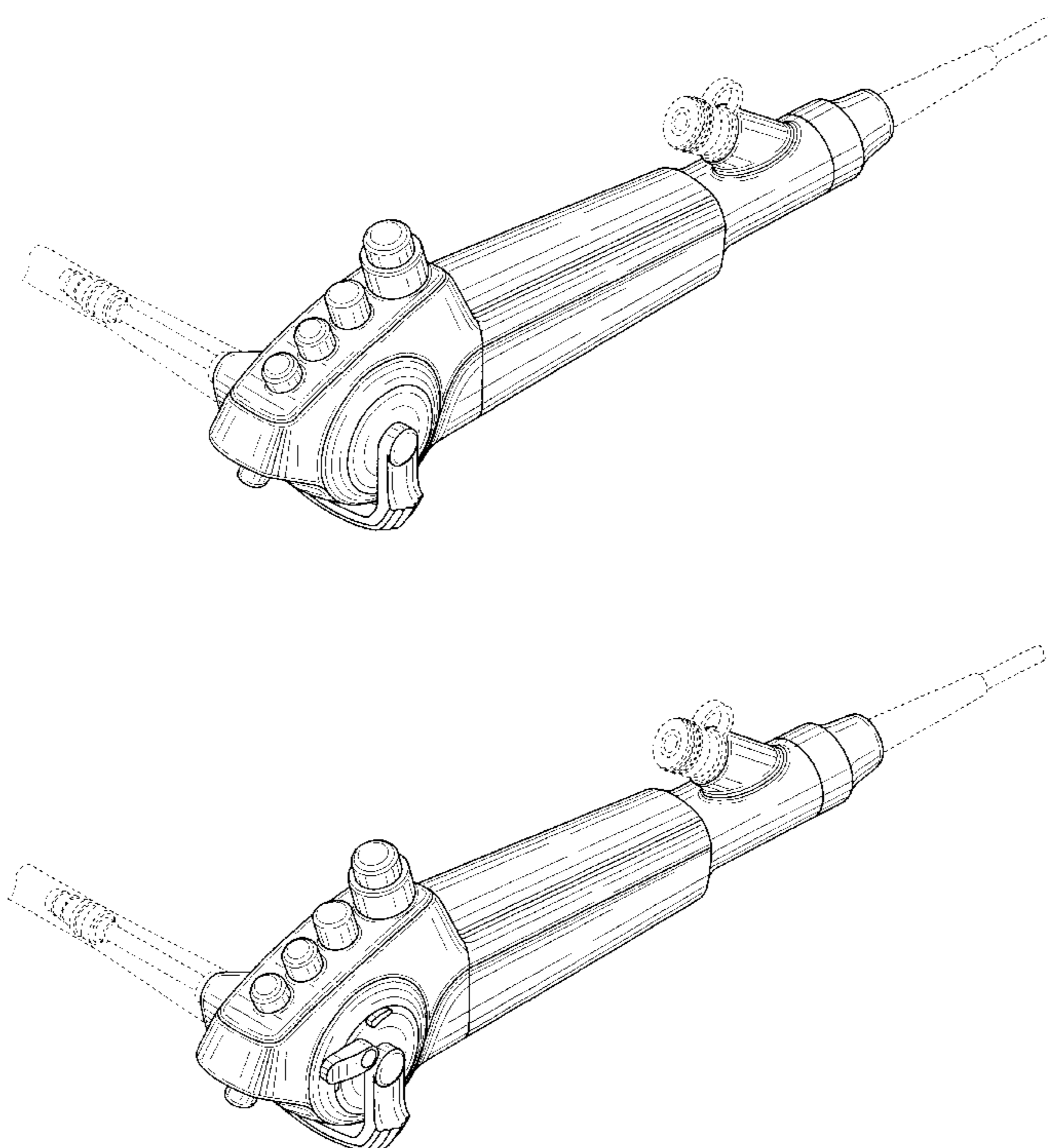


FIG. 1

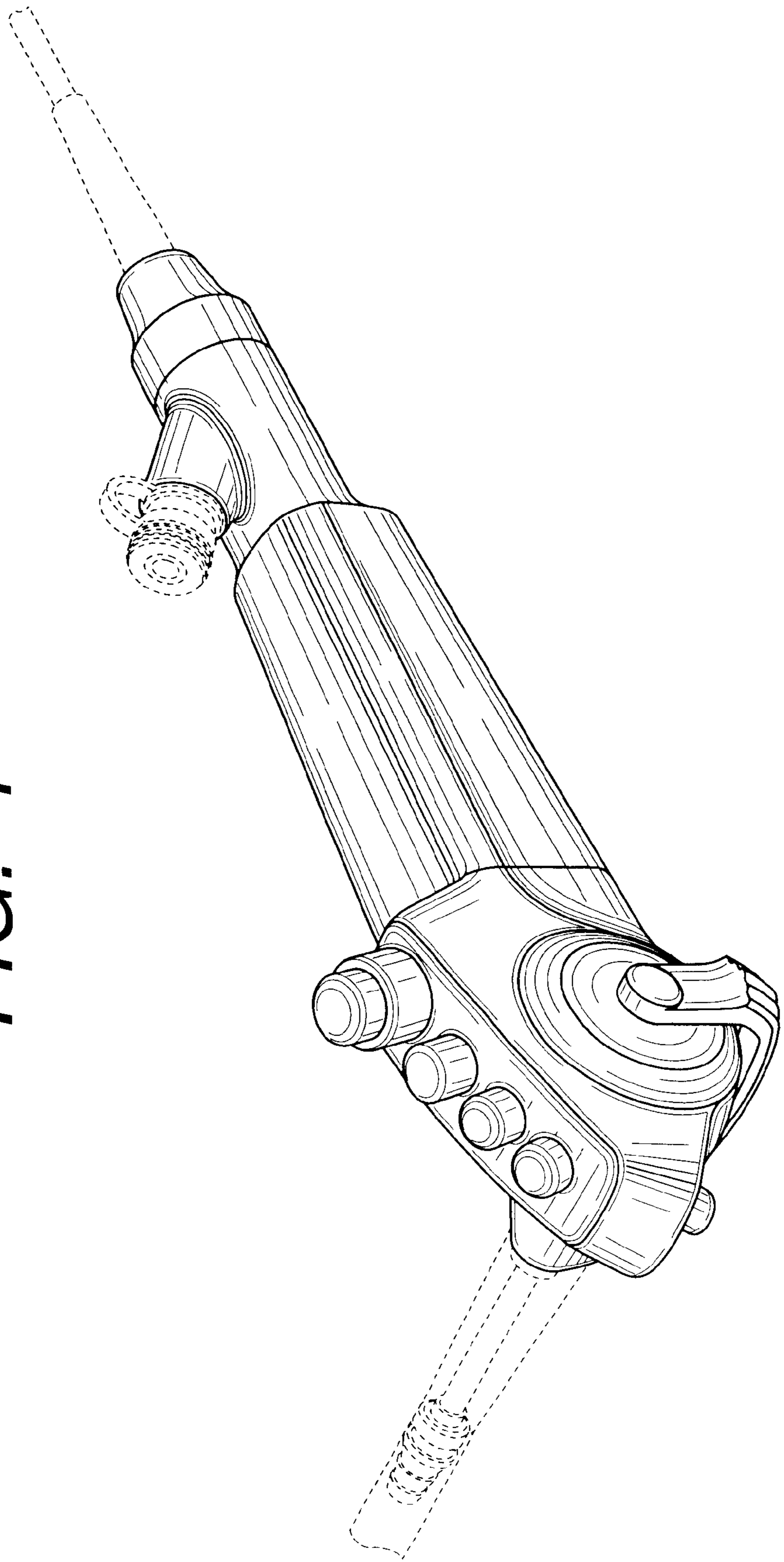


FIG. 2

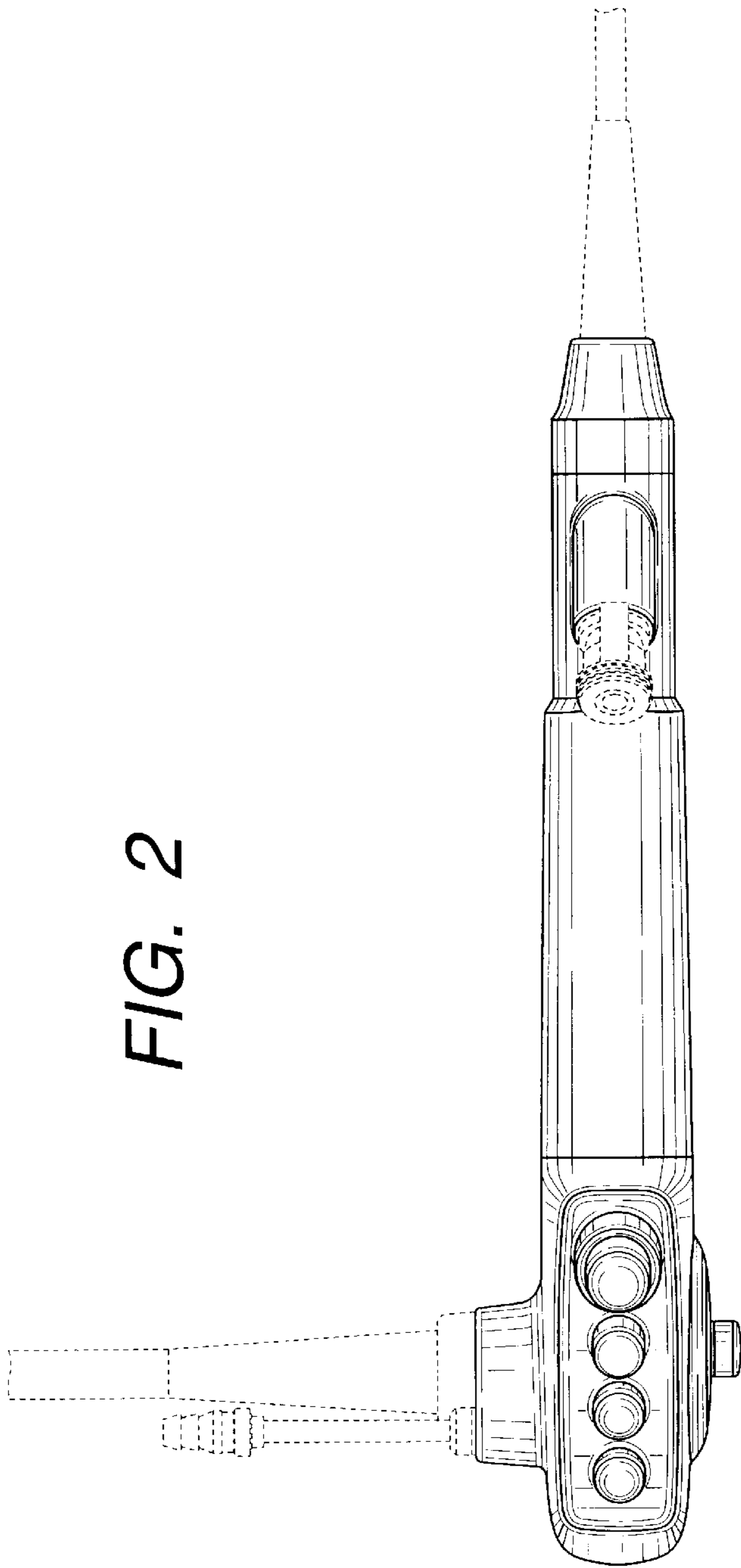


FIG. 3

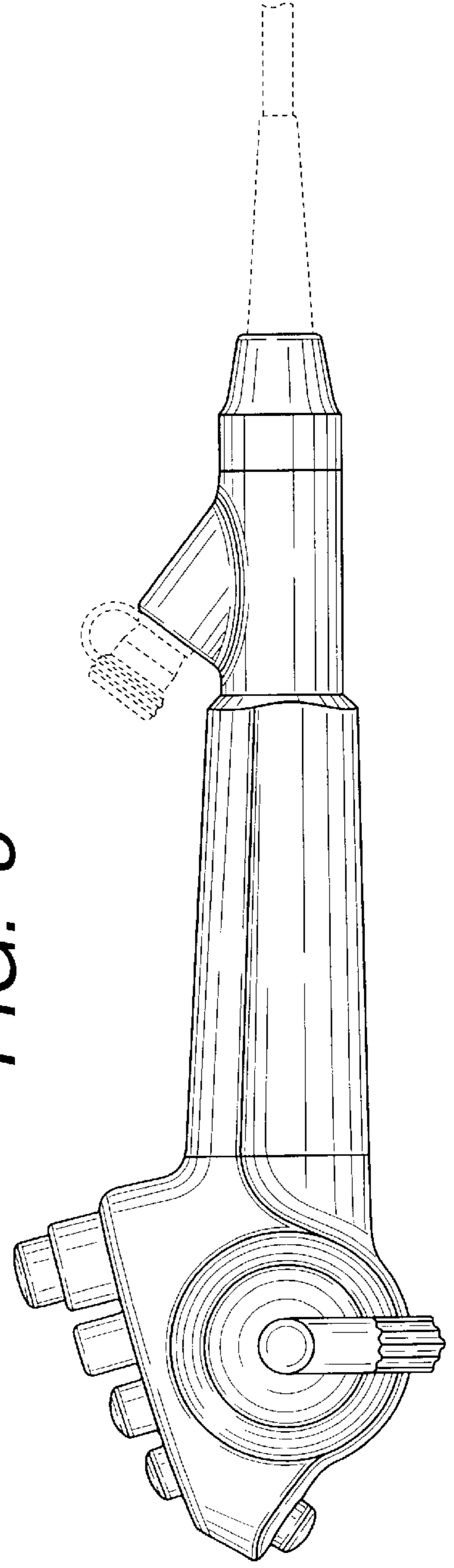


FIG. 4

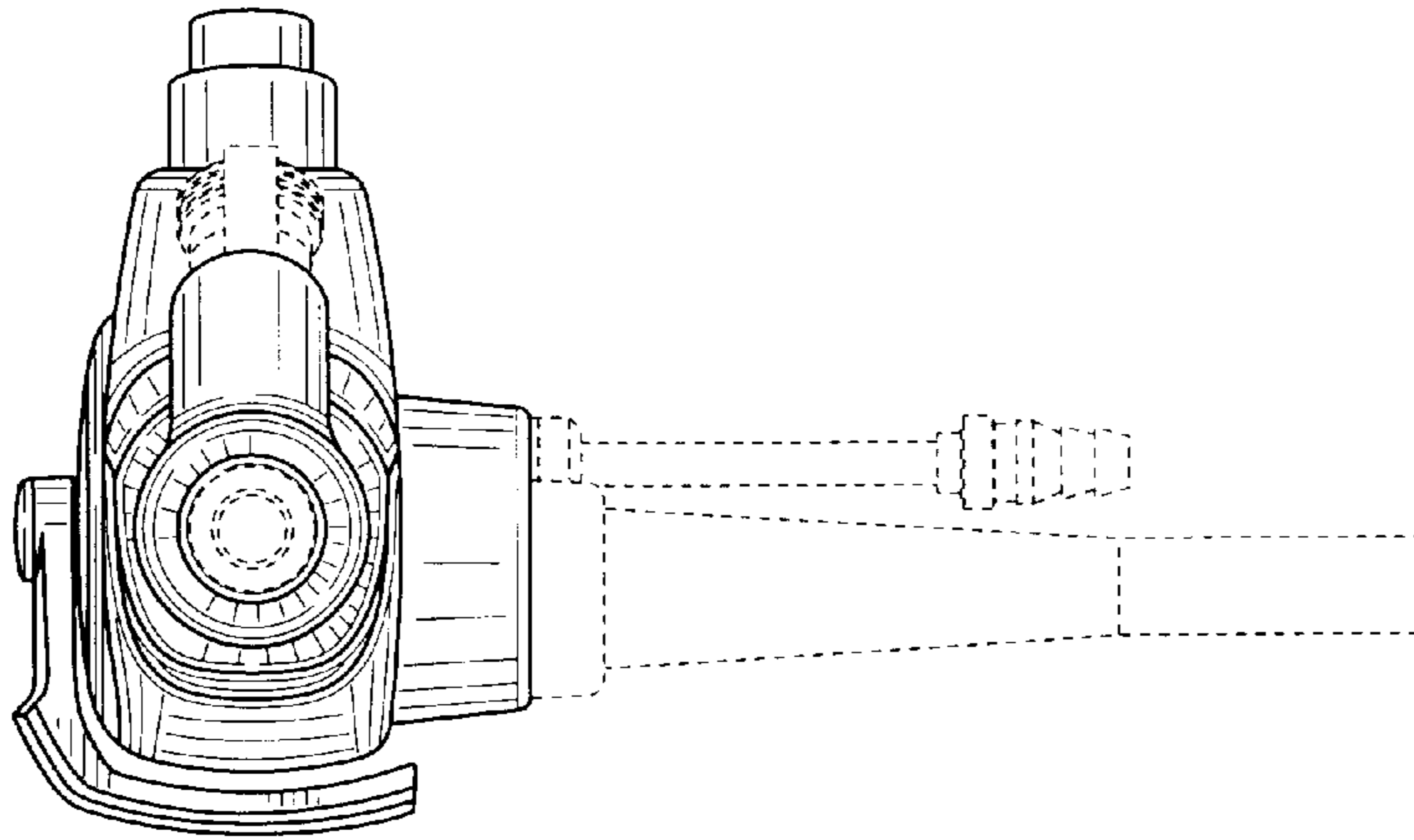


FIG. 5

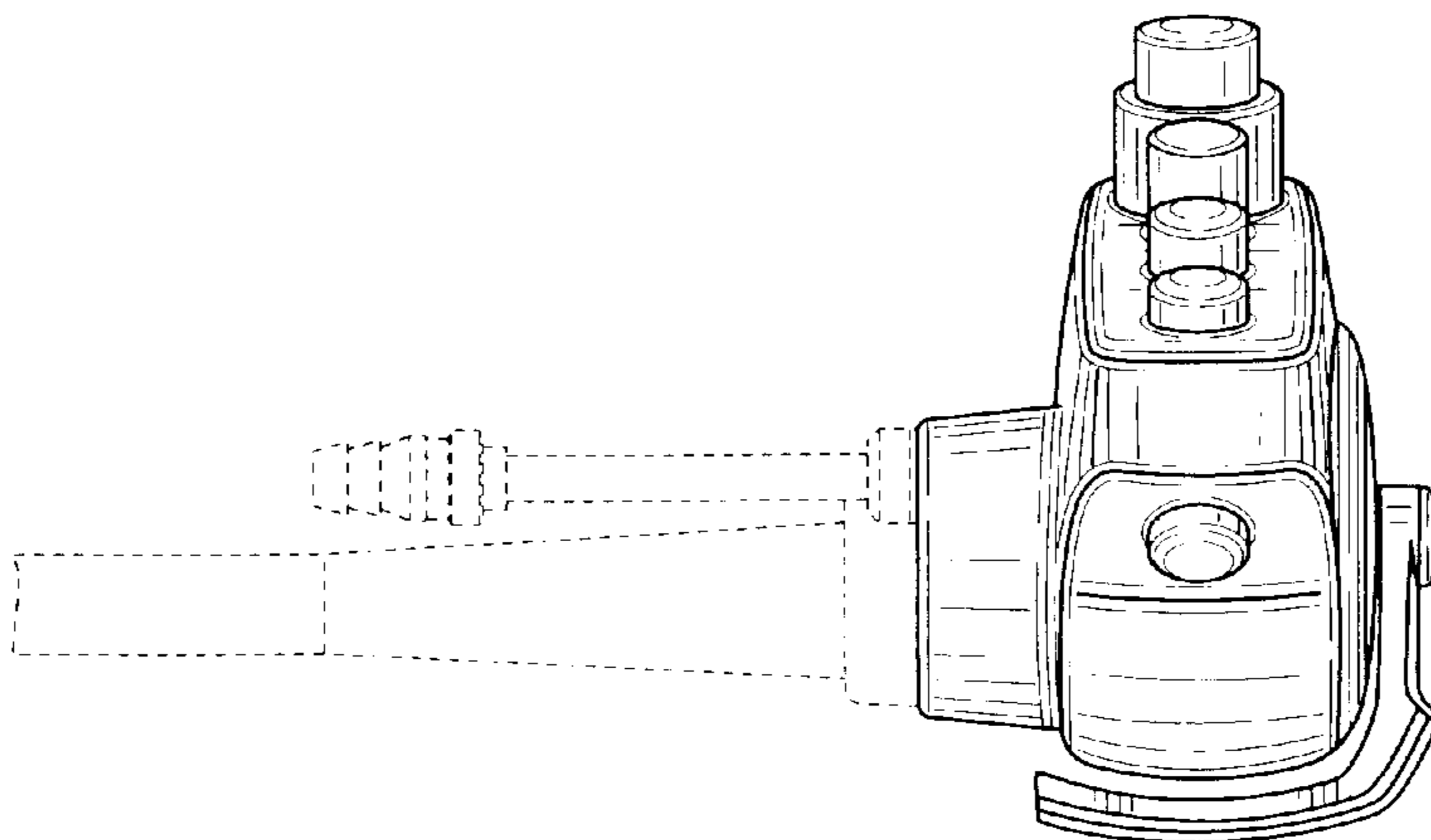


FIG. 6

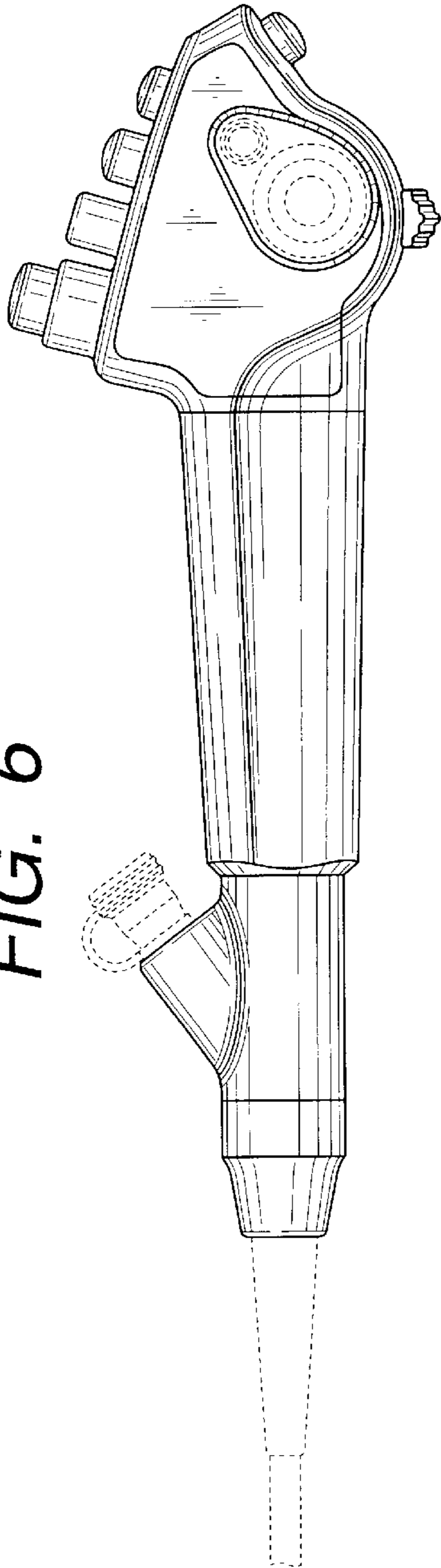


FIG. 7

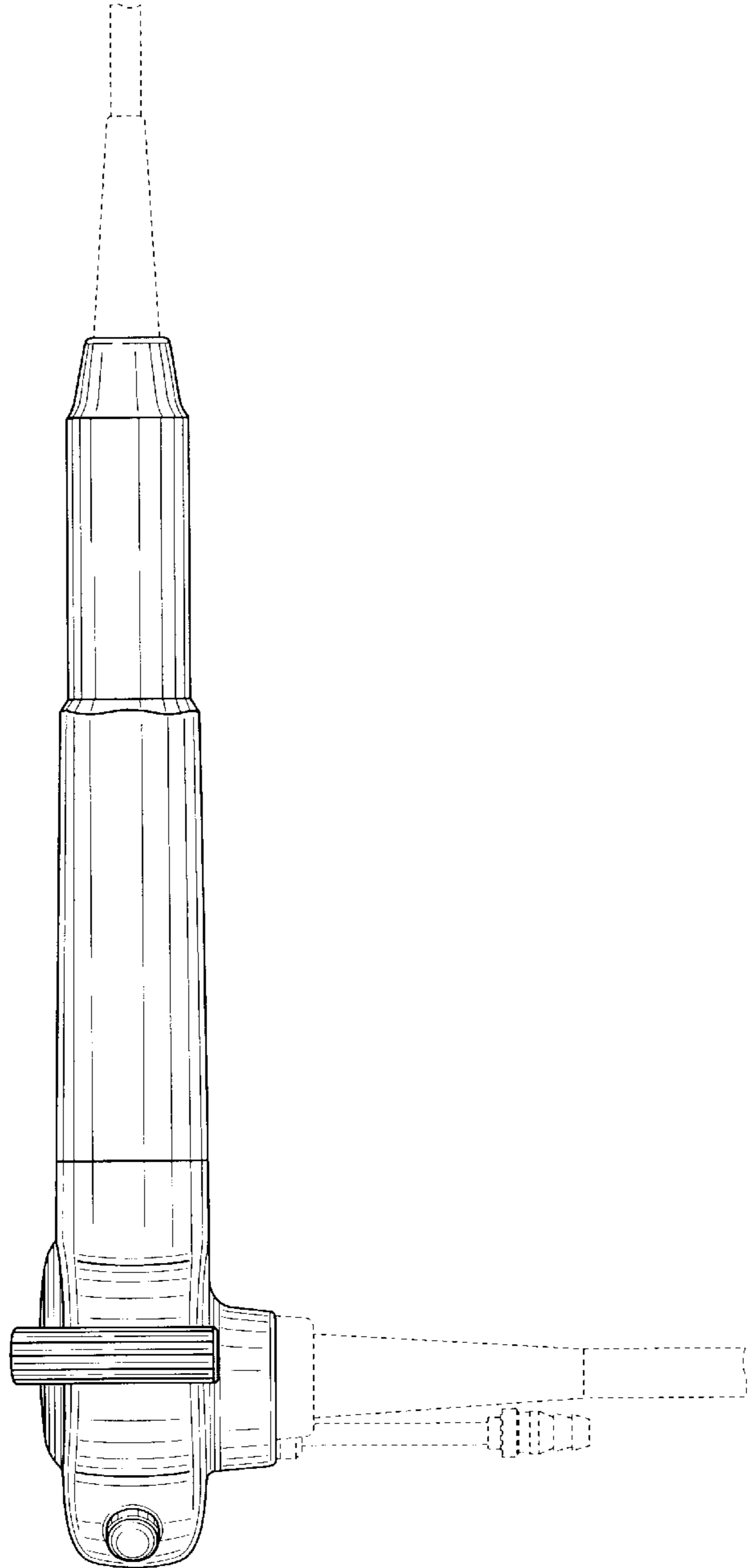


FIG. 8

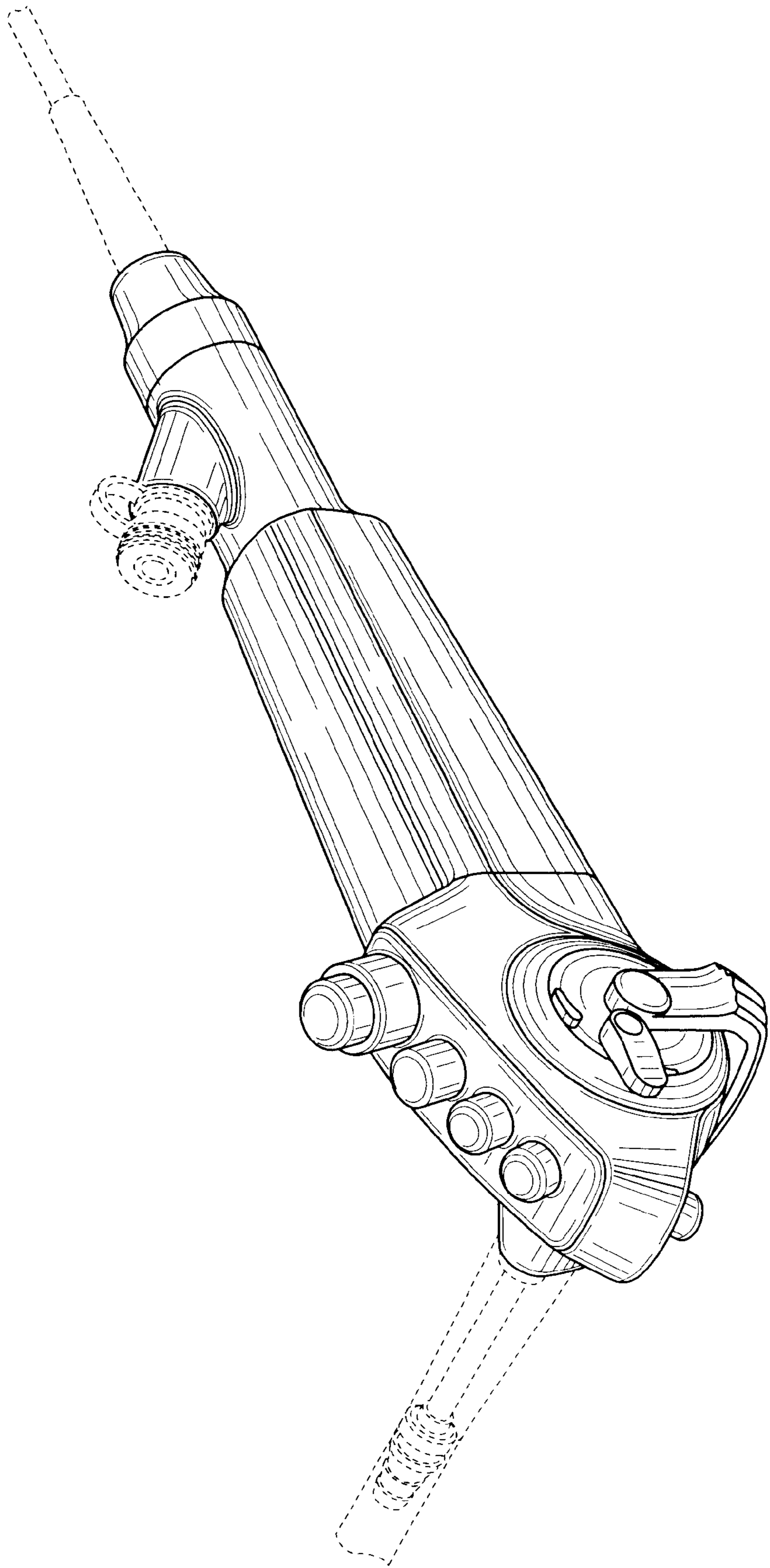


FIG. 9

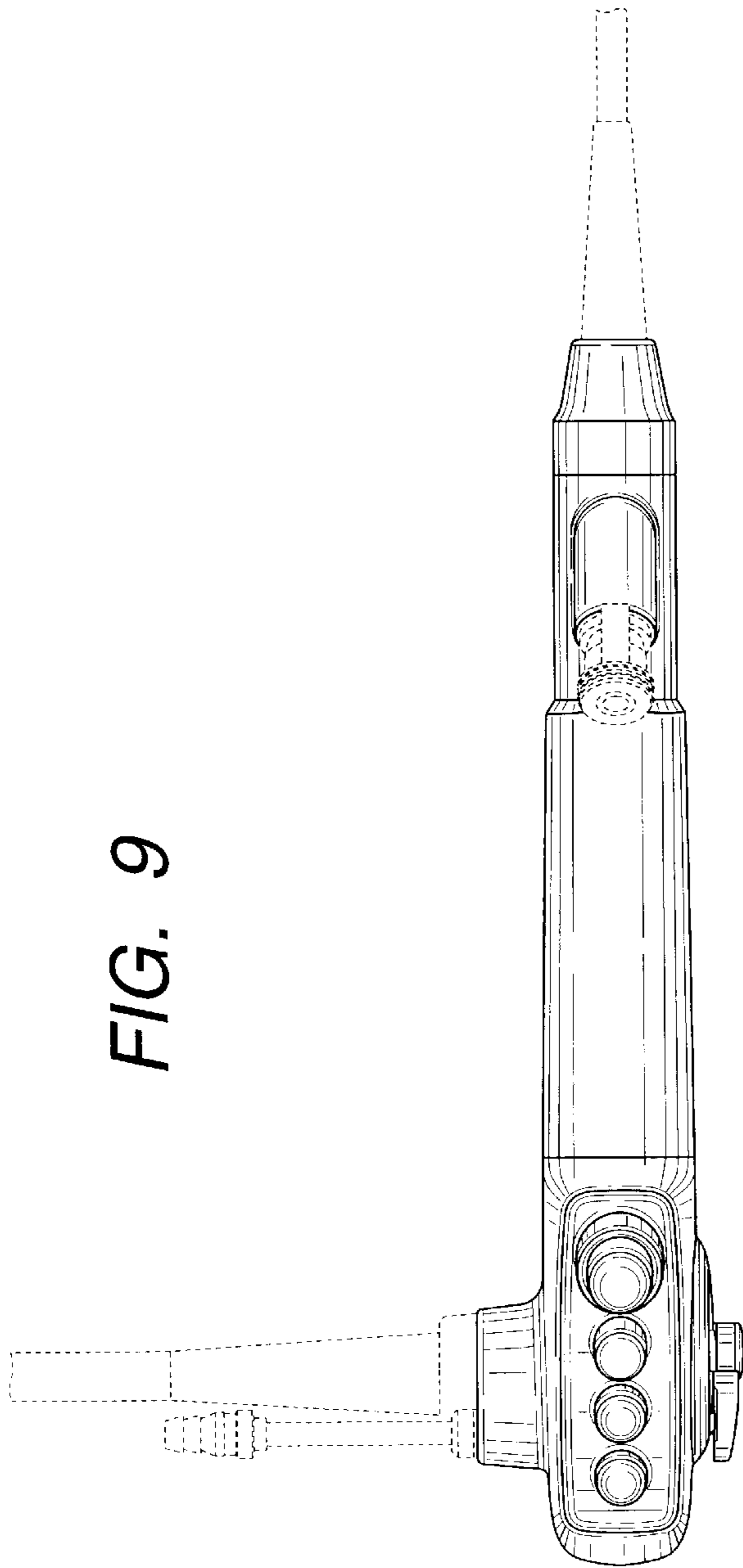


FIG. 10

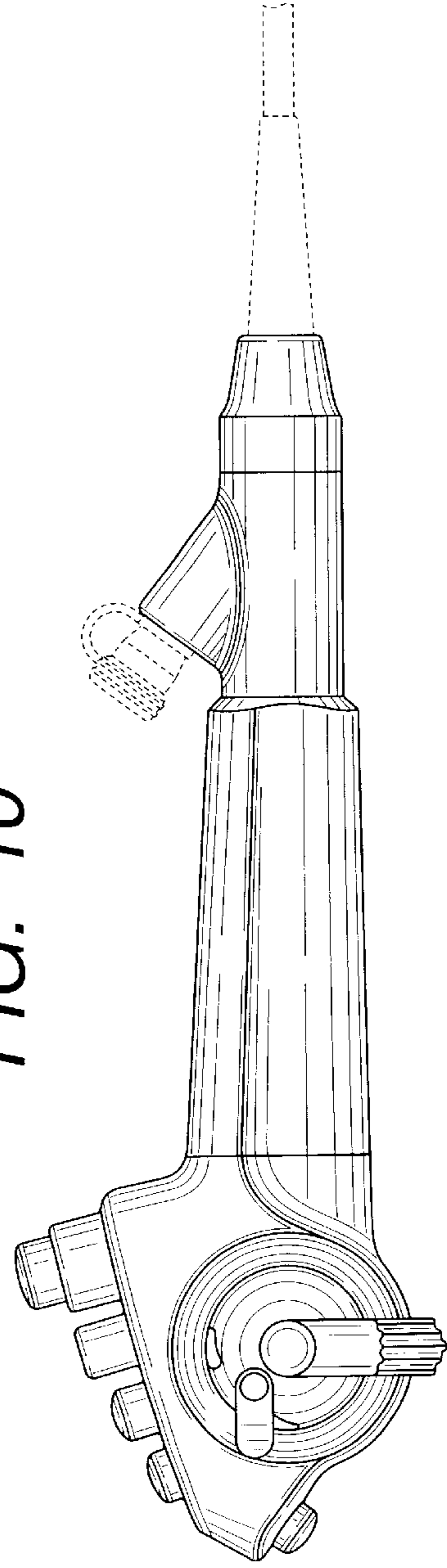


FIG. 11

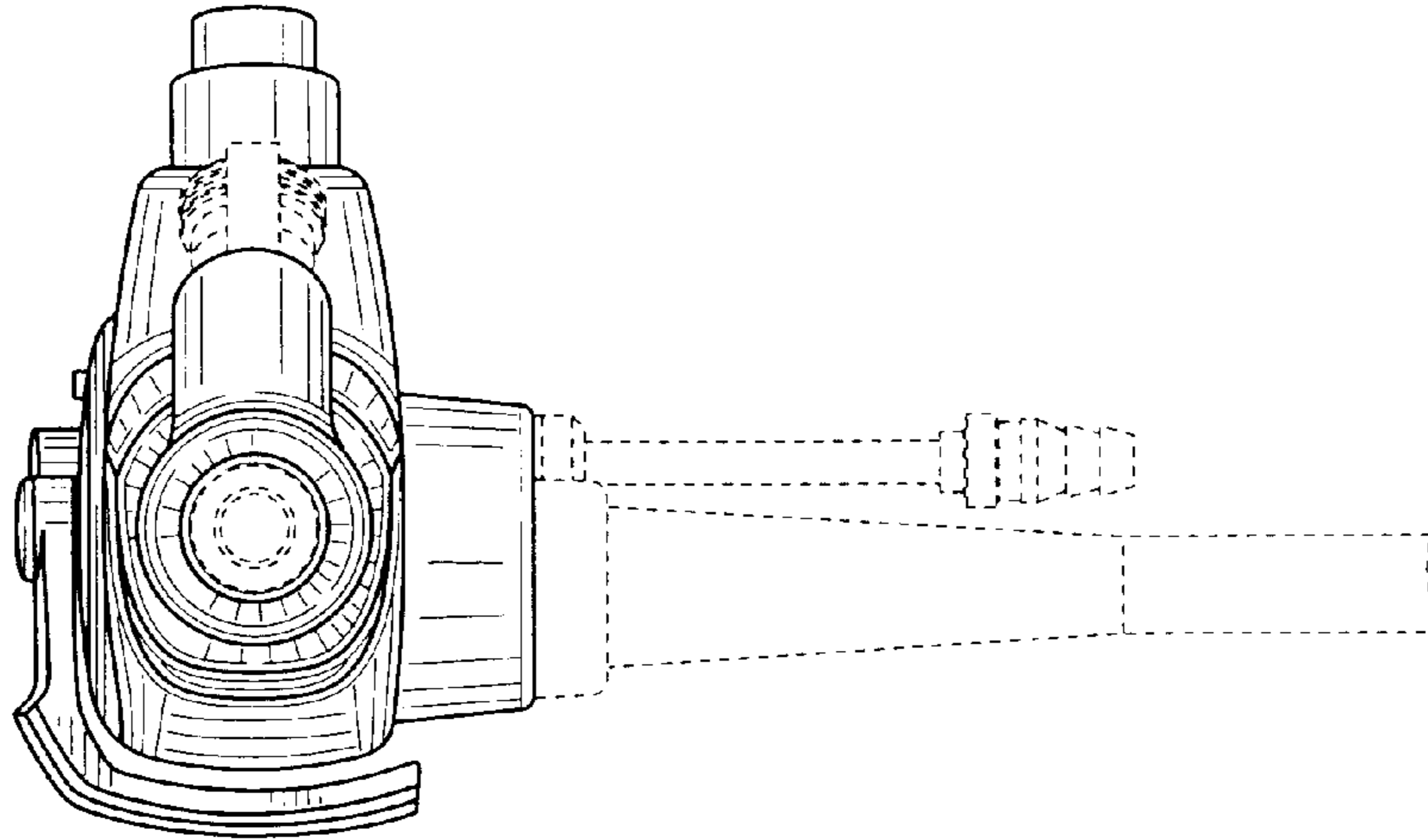


FIG. 12

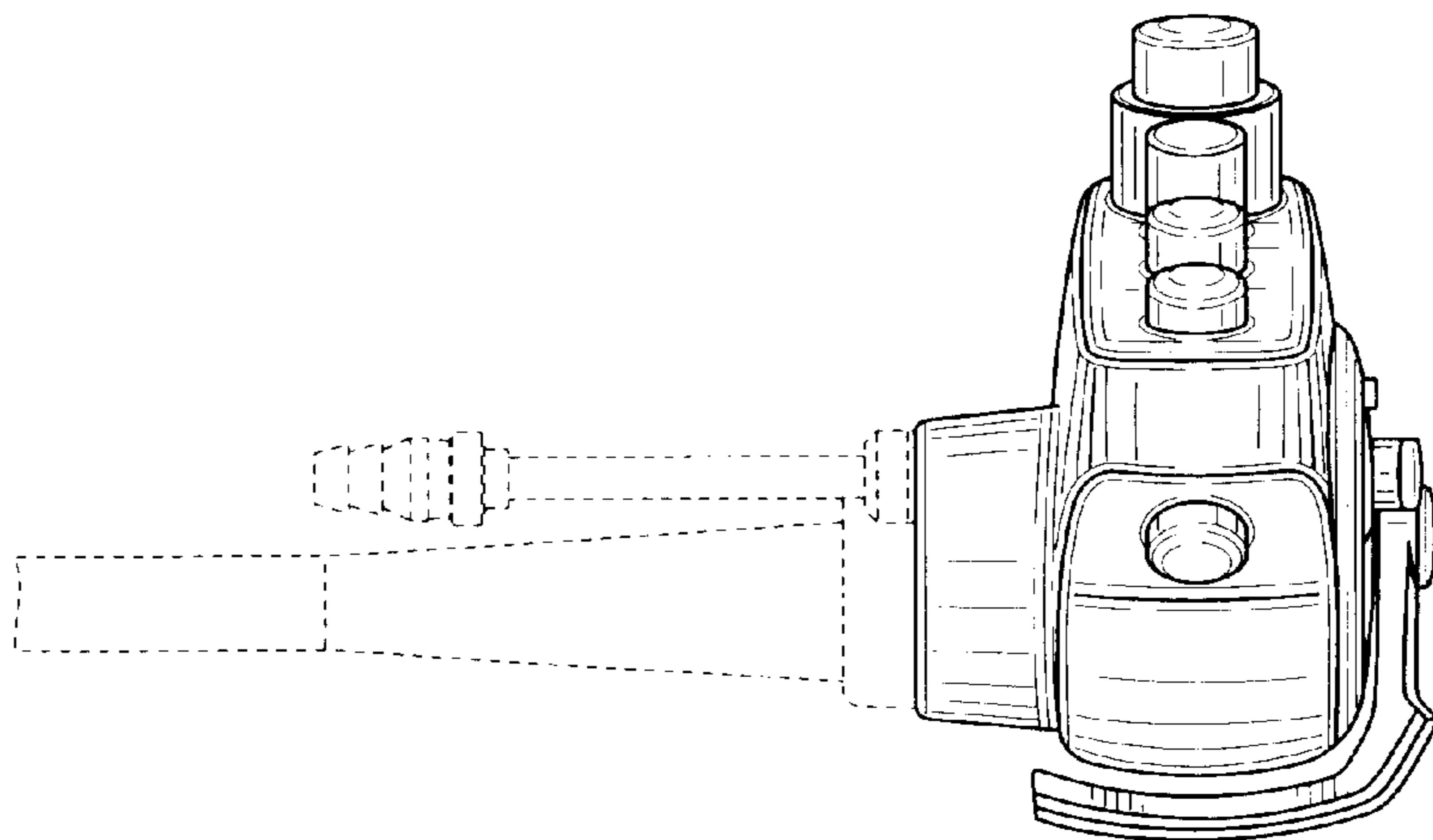


FIG. 13

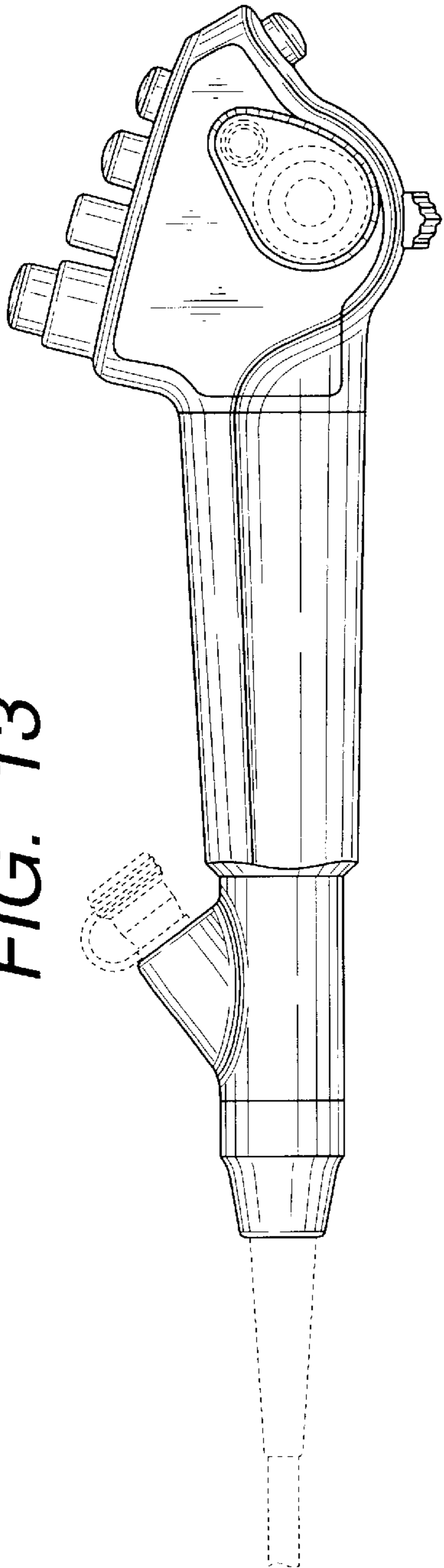


FIG. 14

