



US00D481121S

(12) **United States Design Patent**
Evans

(10) **Patent No.:** **US D481,121 S**

(45) **Date of Patent:** **** Oct. 21, 2003**

(54) **SYRINGE LABEL CRADLE**

5,716,345 A * 2/1998 Halbich 604/207

(75) Inventor: **Robert F. Evans**, Mobile, AL (US)

* cited by examiner

(73) Assignee: **DocuSys, Inc.**, Mobile, AL (US)

Primary Examiner—Ian Simmons

(**) Term: **14 Years**

(74) *Attorney, Agent, or Firm*—Lerner, David, Littenberg, Krumholz & Mentlik, LLP

(21) Appl. No.: **29/153,646**

(57) **CLAIM**

(22) Filed: **Jan. 10, 2002**

The ornamental design for a syringe label cradle, as shown and described.

(51) **LOC (7) Cl.** **24-02**

(52) **U.S. Cl.** **D24/128**

(58) **Field of Search** D24/130, 128,
D24/127; 604/207, 208, 890, 203, 214,
155

DESCRIPTION

(56) **References Cited**

U.S. PATENT DOCUMENTS

3,720,211 A * 3/1973 Kyrias 604/155

3,840,011 A * 10/1974 Wright D24/130

D246,115 S * 10/1977 Citrin D24/130

FIG. 1 is a perspective view of a syringe label cradle showing my new design;
FIG. 2 is a front elevational view;
FIG. 3 is a rear elevational view;
FIG. 4 is a right side elevational view;
FIG. 5 is a left side elevational view;
FIG. 6 is a top plan view; and,
FIG. 7 is a bottom plan view.

1 Claim, 3 Drawing Sheets

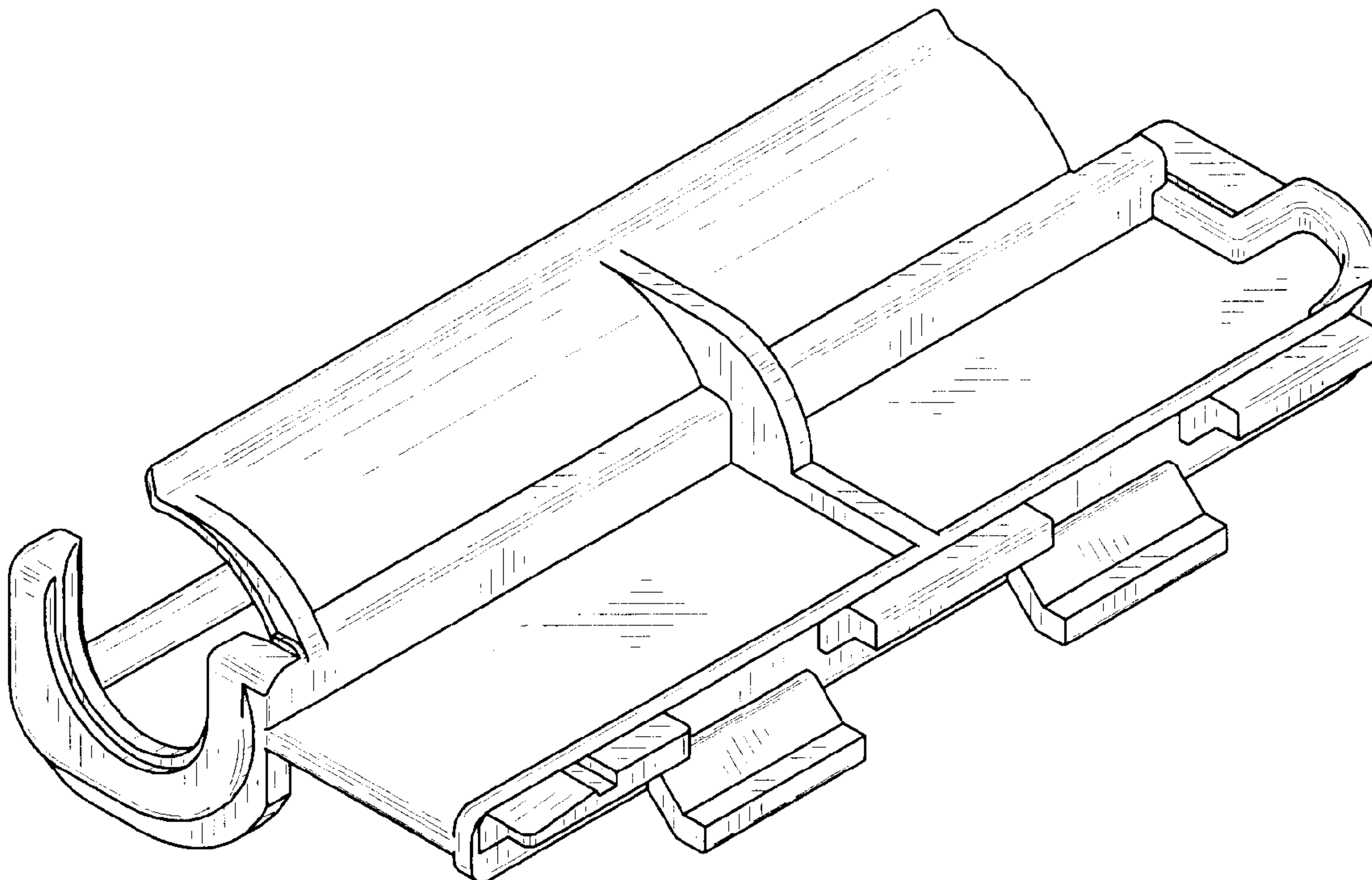


FIG. 1

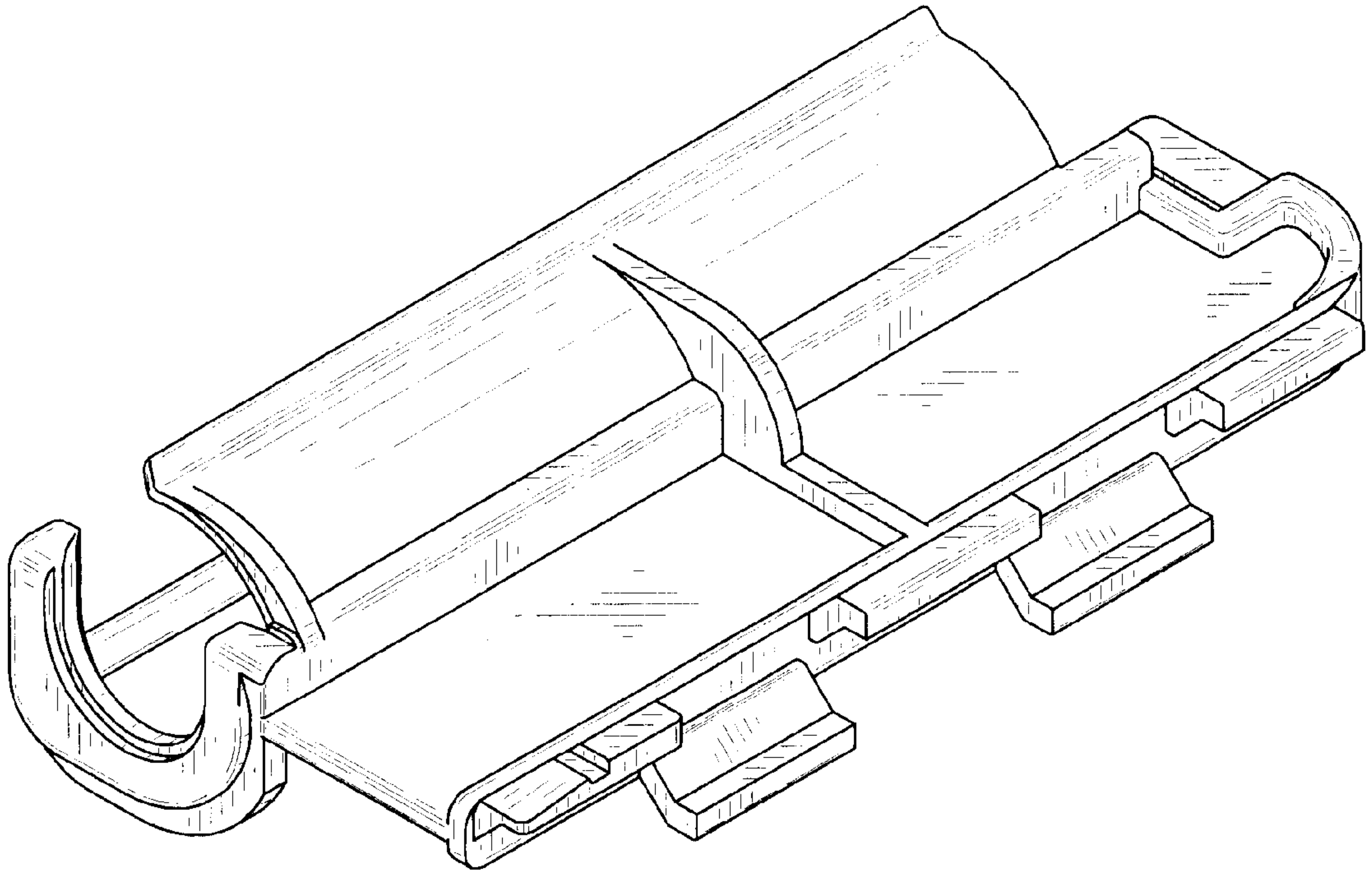


FIG. 2

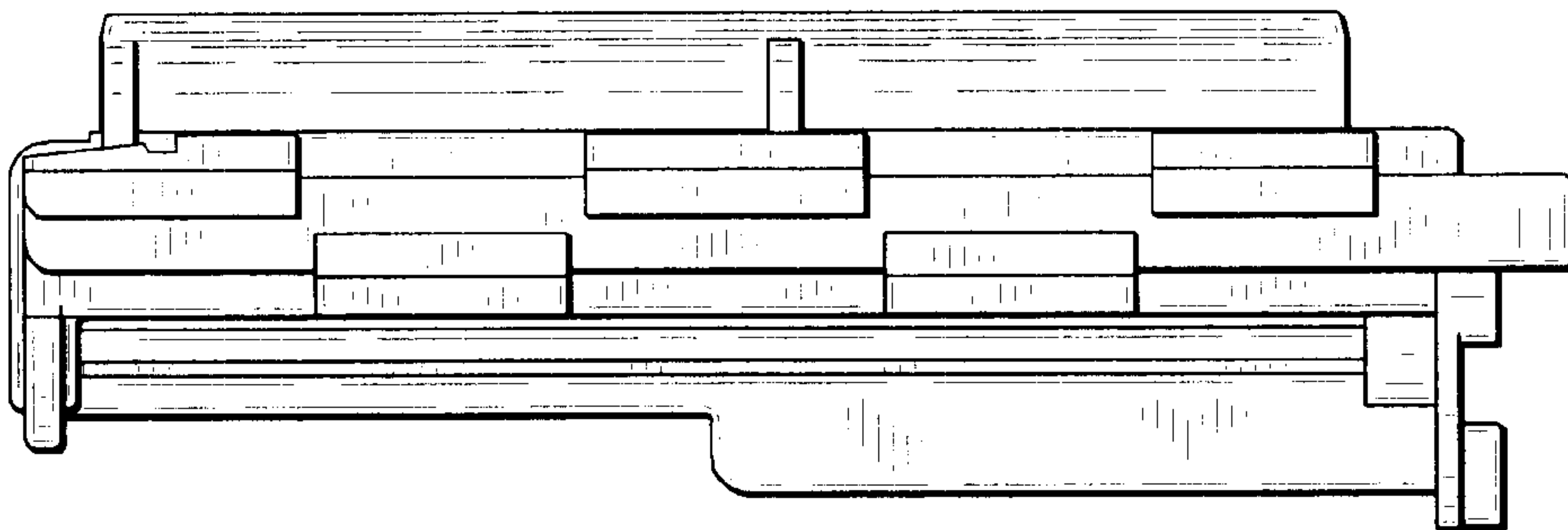


FIG. 3

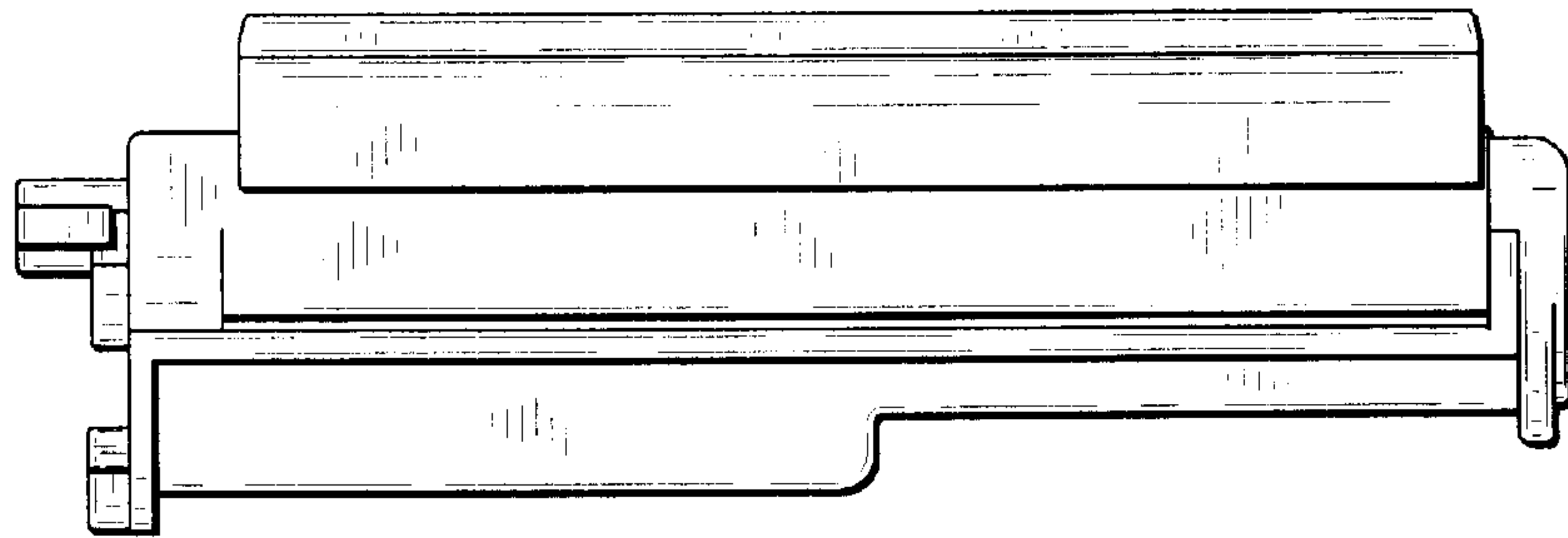


FIG. 4

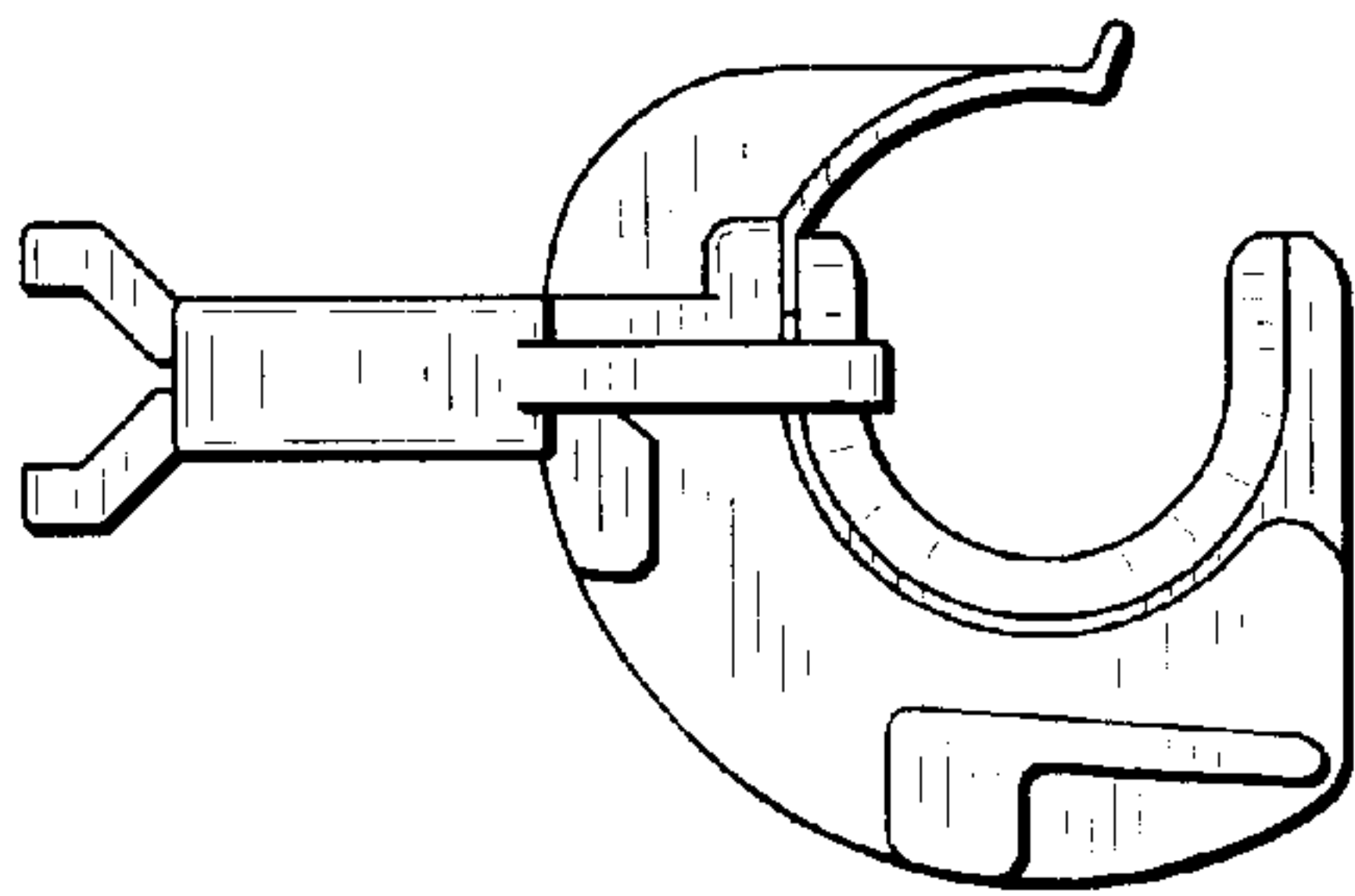


FIG. 5

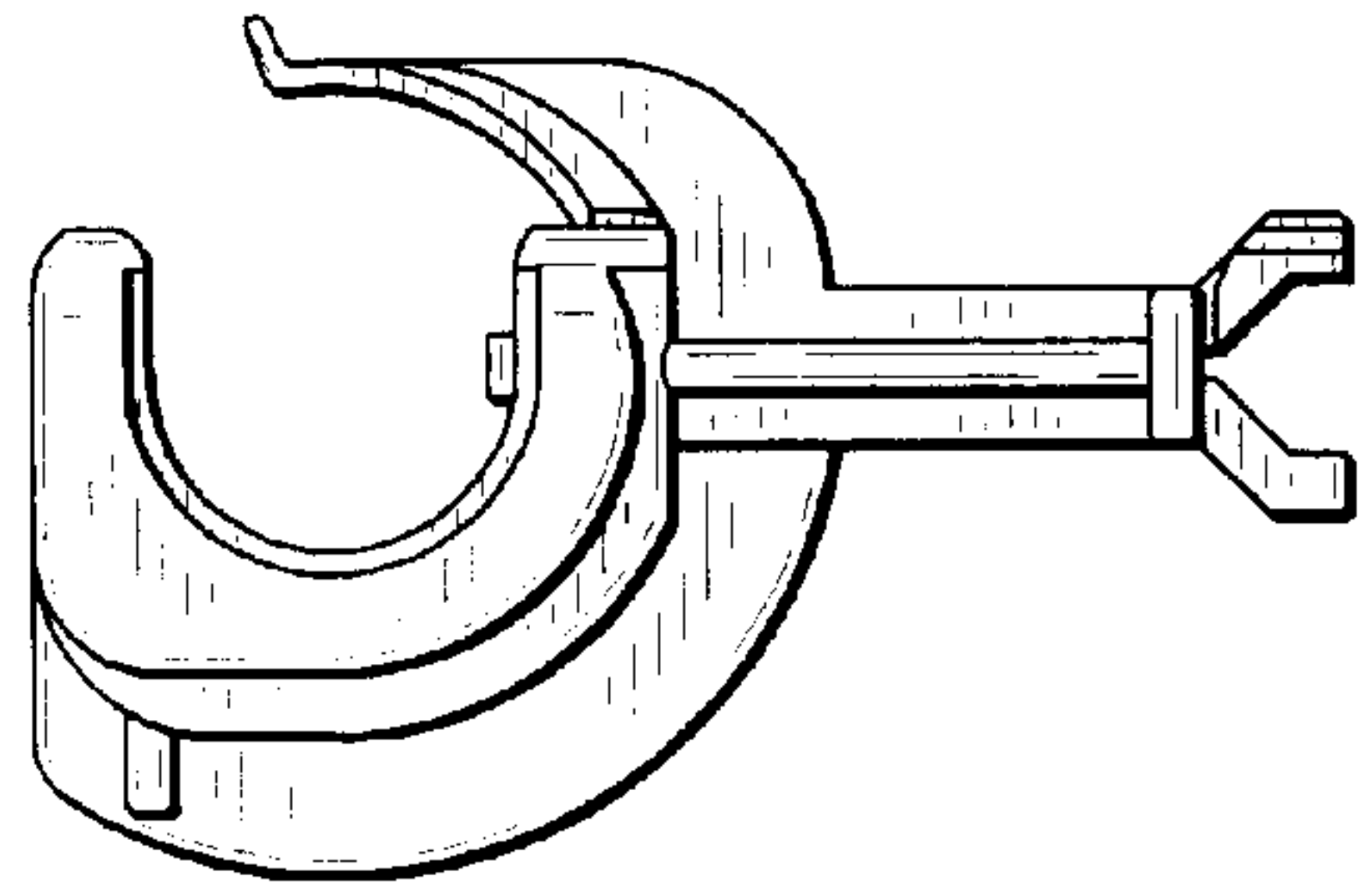


FIG. 6

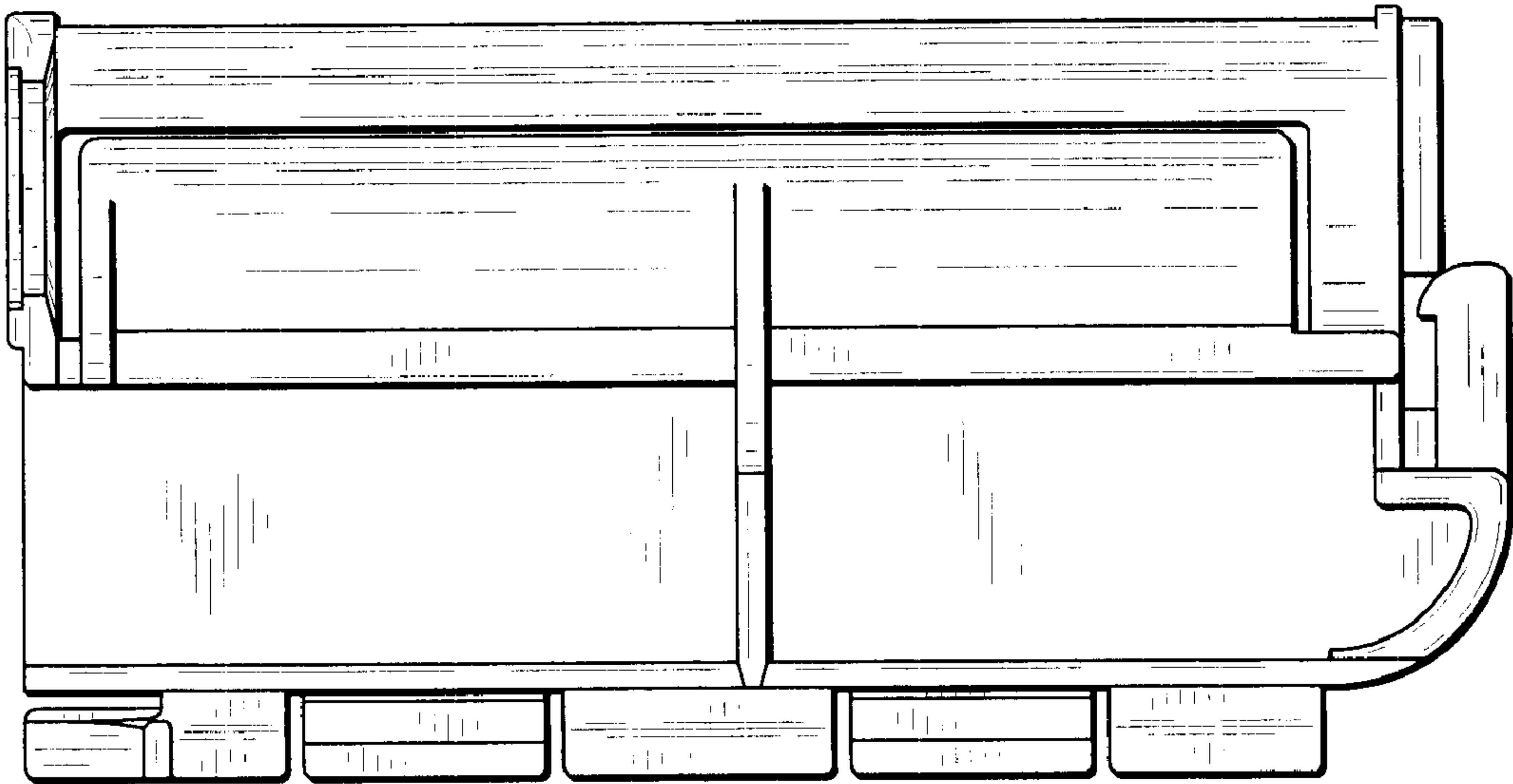


FIG. 7

