



US00D481120S

(12) **United States Design Patent** (10) **Patent No.:** **US D481,120 S**  
**Hawley et al.** (45) **Date of Patent:** **\*\* Oct. 21, 2003**

(54) **MEDICAL DEVICE FOR THE INJECTION OF FLUID MEDICAMENTS**

(75) Inventors: **Miles Hawley**, London (GB); **Stephen Sayers**, Buckinghamshire (GB)

(73) Assignee: **Aventis Pharma Deutschland GmbH** (DE)

(\*\*) Term: **14 Years**

(21) Appl. No.: **29/167,009**

(22) Filed: **Sep. 9, 2002**

(30) **Foreign Application Priority Data**

Mar. 9, 2002 (GB) ..... 402 02 271

(51) **LOC (7) Cl.** ..... **24-02**

(52) **U.S. Cl.** ..... **D24/114; D19/51; D24/112**

(58) **Field of Search** ..... **D24/114, 113, D24/112; D19/51, 43, 55, 56; 604/157, 187, 207, 208, 211, 232, 218**

(56) **References Cited**

**U.S. PATENT DOCUMENTS**

D368,961 S	*	4/1996	Himbert et al.	.....	D24/114
5,728,074 A	*	3/1998	Castellano et al.	.....	604/207
D407,487 S	*	3/1999	Greubel et al.	.....	D24/112
D418,163 S		12/1999	Rosen		
6,001,089 A		12/1999	Burroughs et al.		
6,048,336 A		4/2000	Gabriel		
D426,299 S		6/2000	Bydlon et al.		

6,192,891 B1	*	2/2001	Gravel et al.	.....	604/187
6,221,046 B1		4/2001	Burroughs et al.		
6,277,099 B1	*	8/2001	Stowe et al.	.....	604/207
D453,569 S	*	2/2002	Himbert	.....	D24/114
D460,484 S		7/2002	Bianco, Jr.		
6,419,661 B1		7/2002	Kuhr et al.		
D462,760 S		9/2002	Ahlgrim et al.		
D473,590 S		4/2003	Mittersinker		

\* cited by examiner

*Primary Examiner*—Ian Simmons

(74) *Attorney, Agent, or Firm*—Finnegan, Henderson, Farabow, Garrett & Dunner, LLP

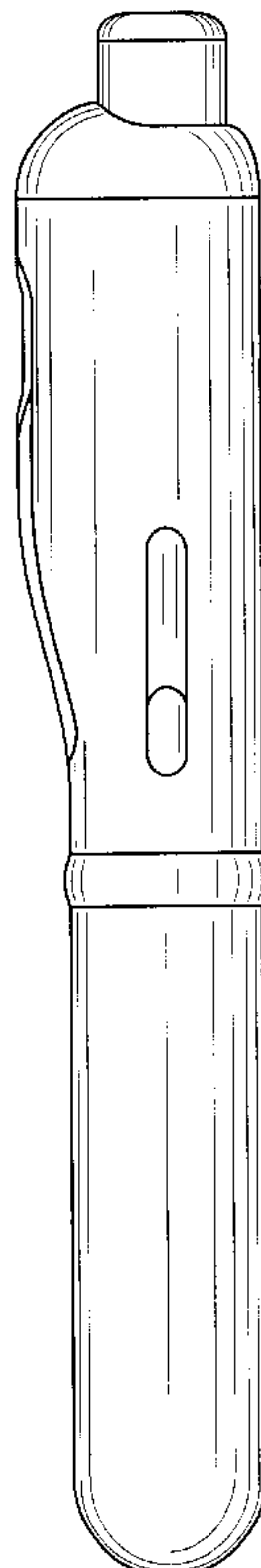
(57) **CLAIM**

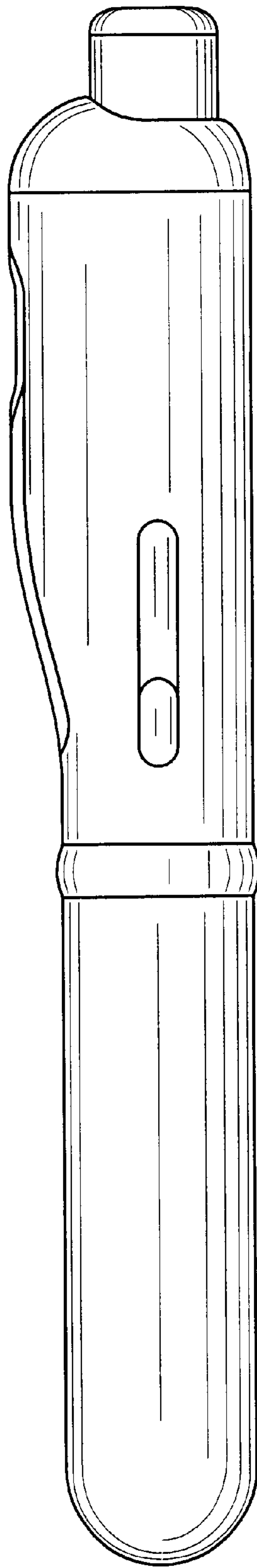
The ornamental design for the medical device for the injection of fluid medicaments, as shown and described.

**DESCRIPTION**

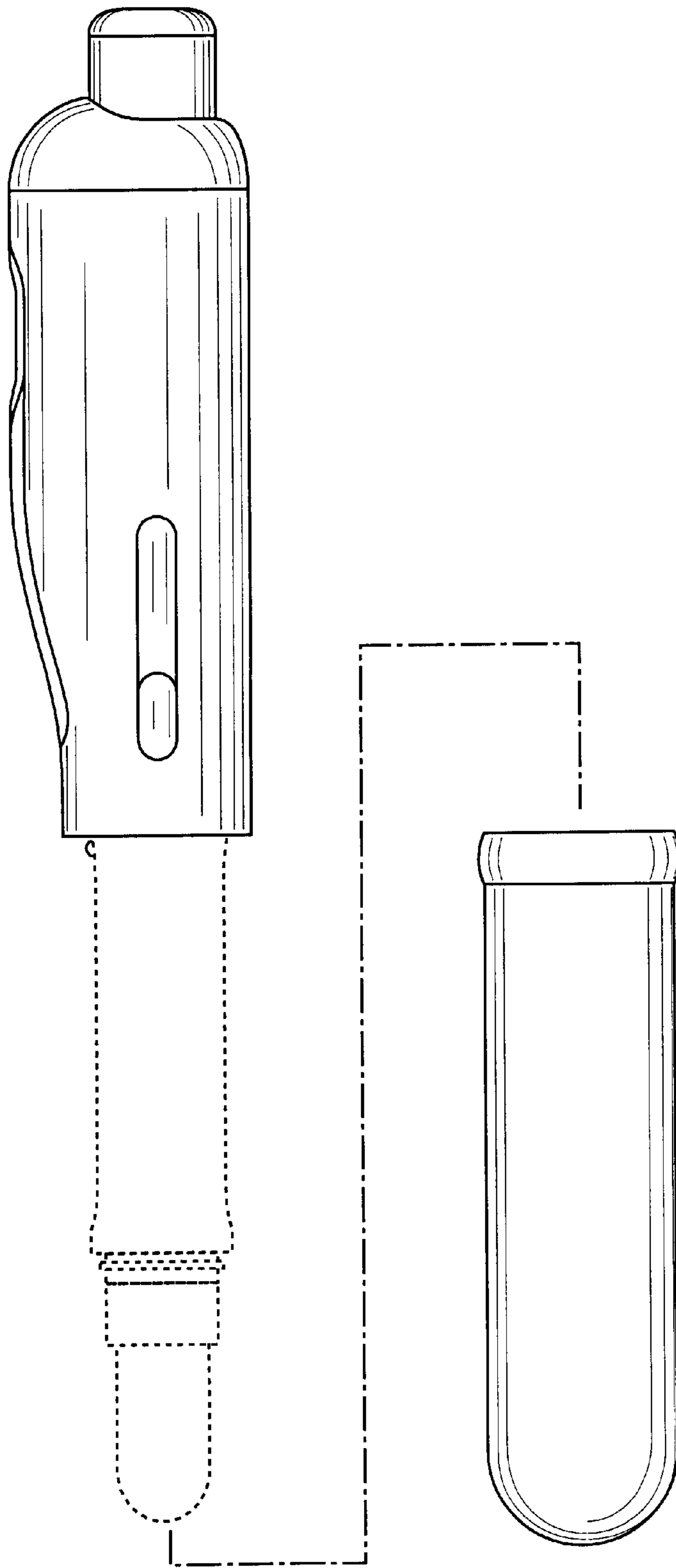
FIG. 1 is a right side view of a medical device for the injection of fluid medicaments of our new design, the left side view being a mirror image thereof;  
 FIG. 2 is a right side view of our new design, with an end cap removed, the portion of the device shown in dashed lines forming no part of the claimed design;  
 FIG. 3 is a front view of our new design;  
 FIG. 4 is a front perspective view of our new design;  
 FIG. 5 is a rear perspective view of our new design;  
 FIG. 6 is a top view of our new design; and,  
 FIG. 7 is a bottom view of our new design.

**1 Claim, 6 Drawing Sheets**

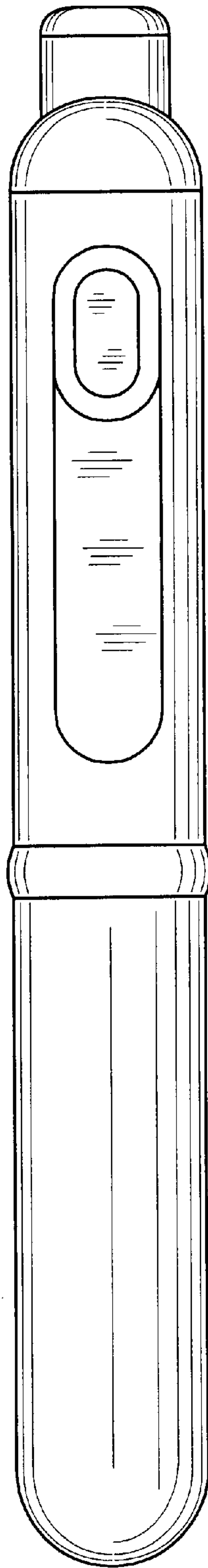




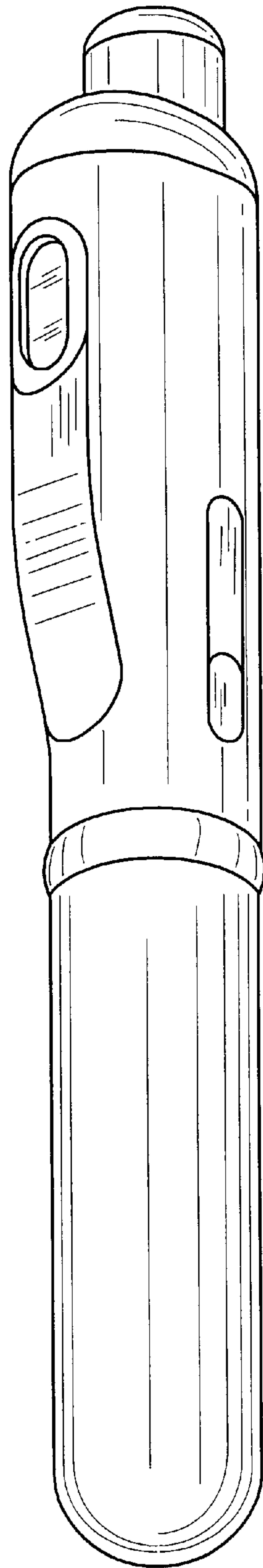
**FIG. 1**



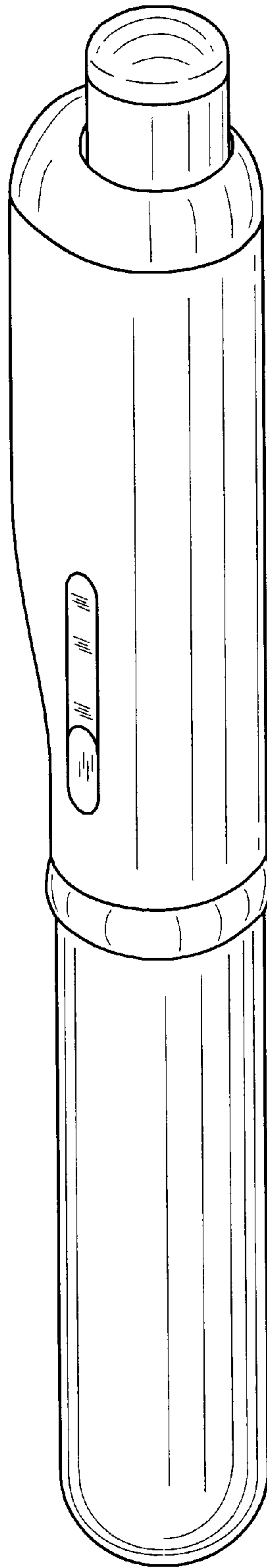
**FIG. 2**



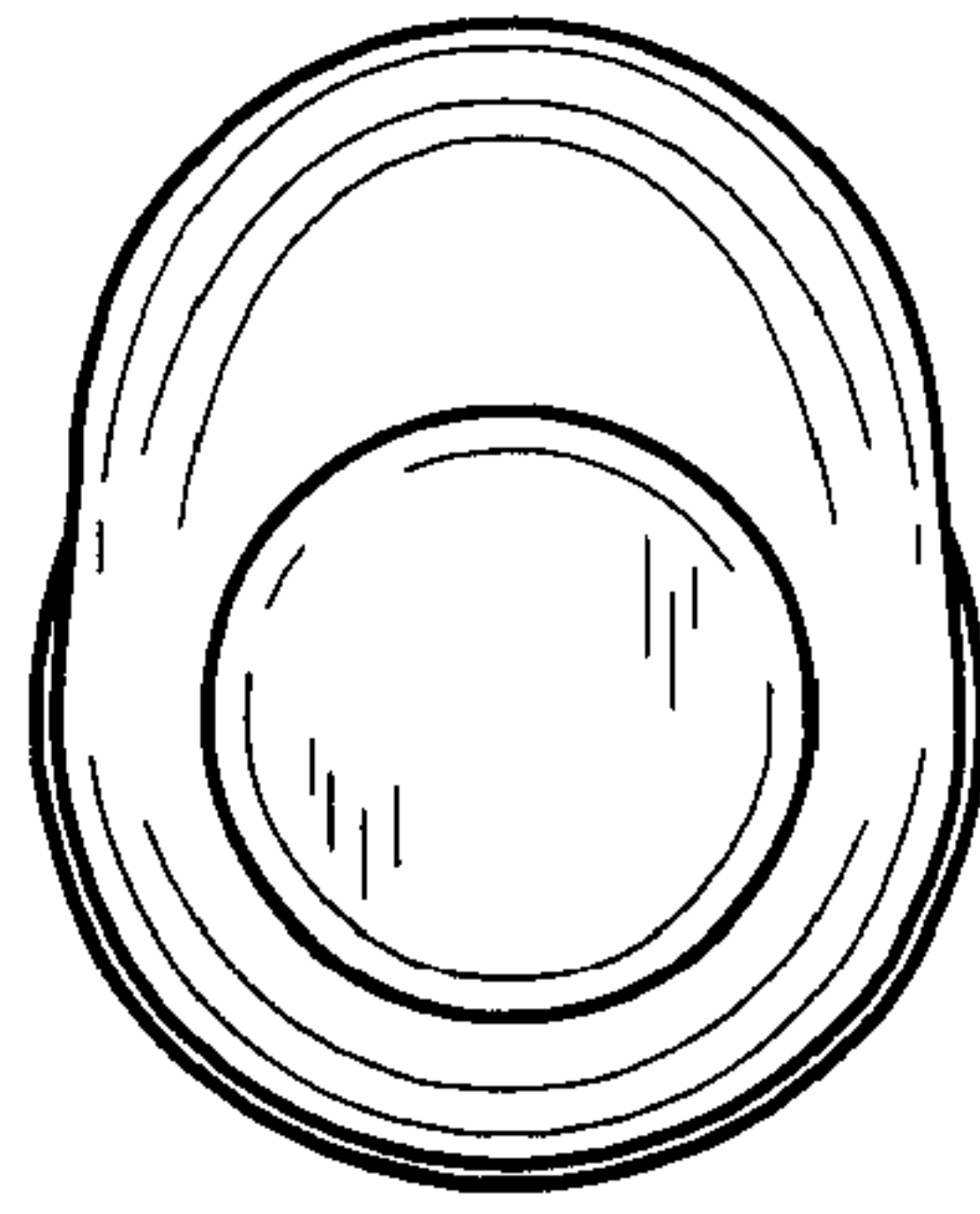
**FIG. 3**



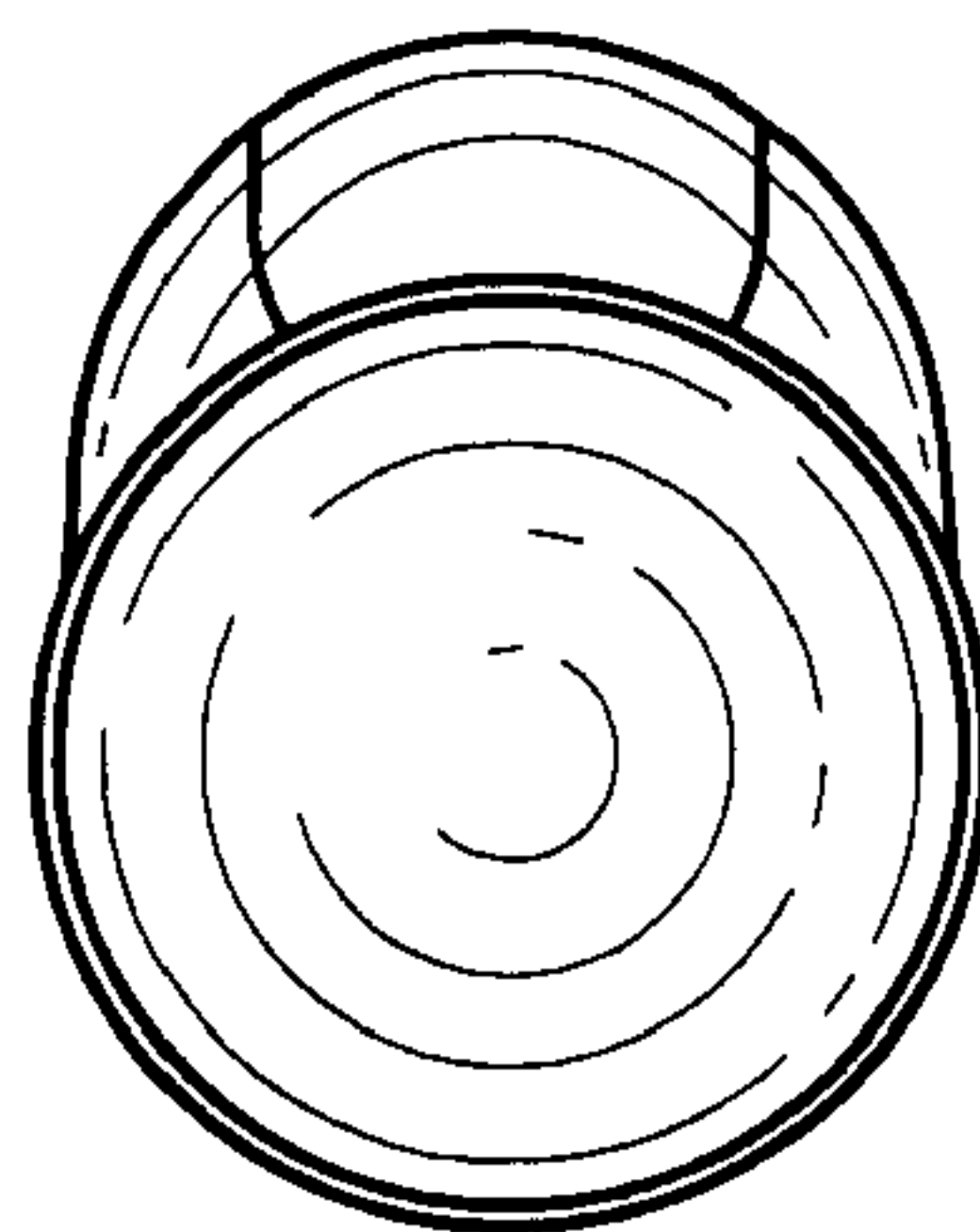
**FIG. 4**



**FIG. 5**



**FIG. 6**



**FIG. 7**