



US00D481116S

(12) **United States Design Patent**
Wang et al.

(10) **Patent No.:** **US D481,116 S**

(45) **Date of Patent:** **** Oct. 21, 2003**

(54) **BLOWER**

D308,417 S * 6/1990 Belanger et al. D23/383

(76) Inventors: **Hua-Chiang Wang**, No. 2342, Sloan Dr., La Verne, CA (US) 91750;
Hsin-Yen Lin, No. 11, Chuang Jou Road, HouLi Hsiang, Taichung Hsien (TW)

* cited by examiner

Primary Examiner—Lisa Lichtenstein
(74) *Attorney, Agent, or Firm*—Rosenberg, Klein & Lee

(**) Term: **14 Years**

(57) **CLAIM**

The ornamental design for a blower, as shown and described.

(21) Appl. No.: **29/160,852**

DESCRIPTION

(22) Filed: **May 20, 2002**

FIG. 1 is a front-right-top perspective view of a blower showing my new design;
FIG. 2 is a front elevational view thereof;
FIG. 3 is a right elevational view thereof;
FIG. 4 is a top plane view thereof;
FIG. 5 is a bottom plane view thereof;
FIG. 6 is a left elevational view thereof; and,
FIG. 7 is a rear elevational view thereof.

(51) **LOC (7) Cl.** **23-04**

(52) **U.S. Cl.** **D23/383**

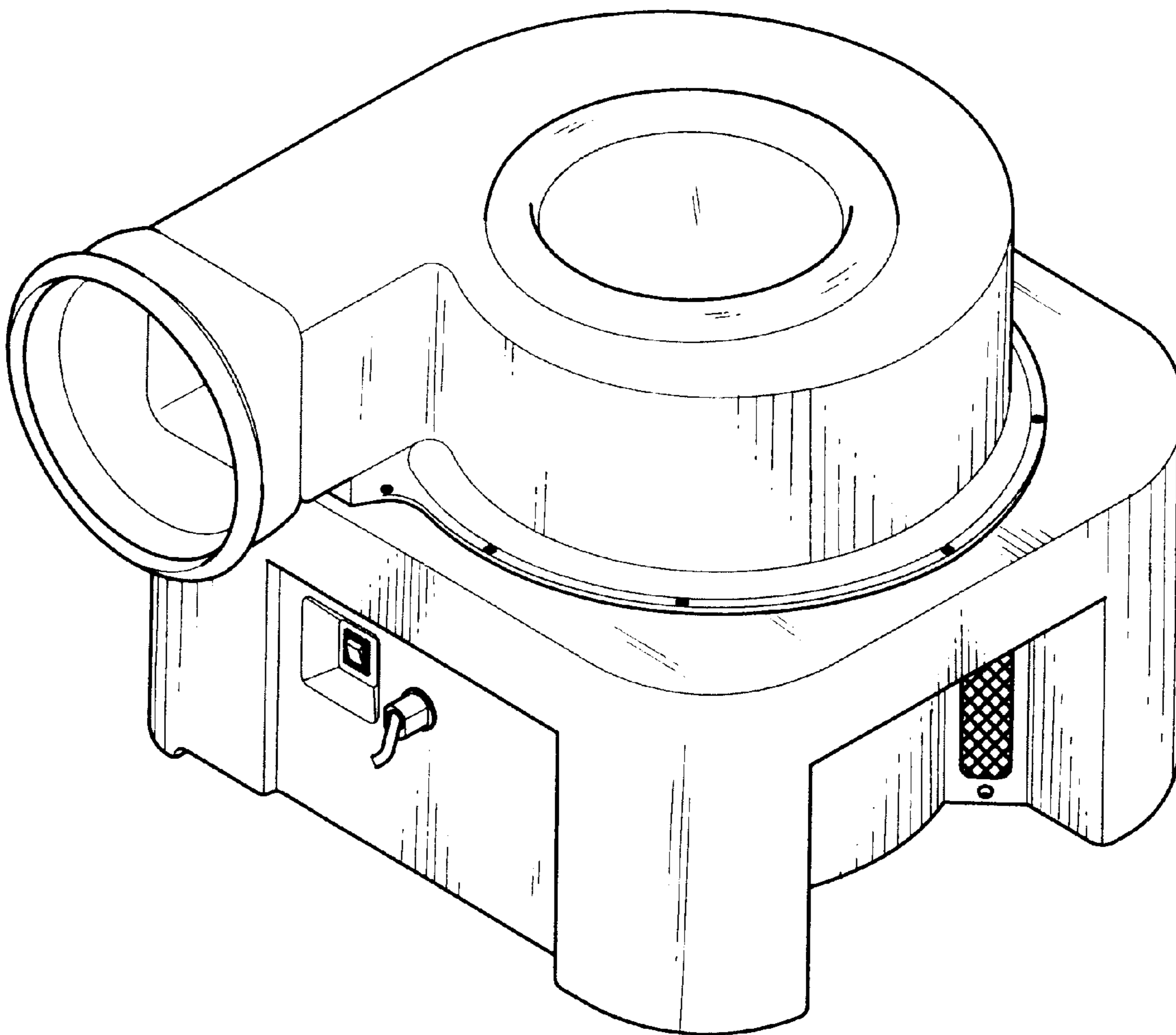
(58) **Field of Search** D23/383, 370;
415/204, 206, 213.1, 214.1

(56) **References Cited**

U.S. PATENT DOCUMENTS

D231,531 S * 4/1974 Goossens D23/383

1 Claim, 4 Drawing Sheets



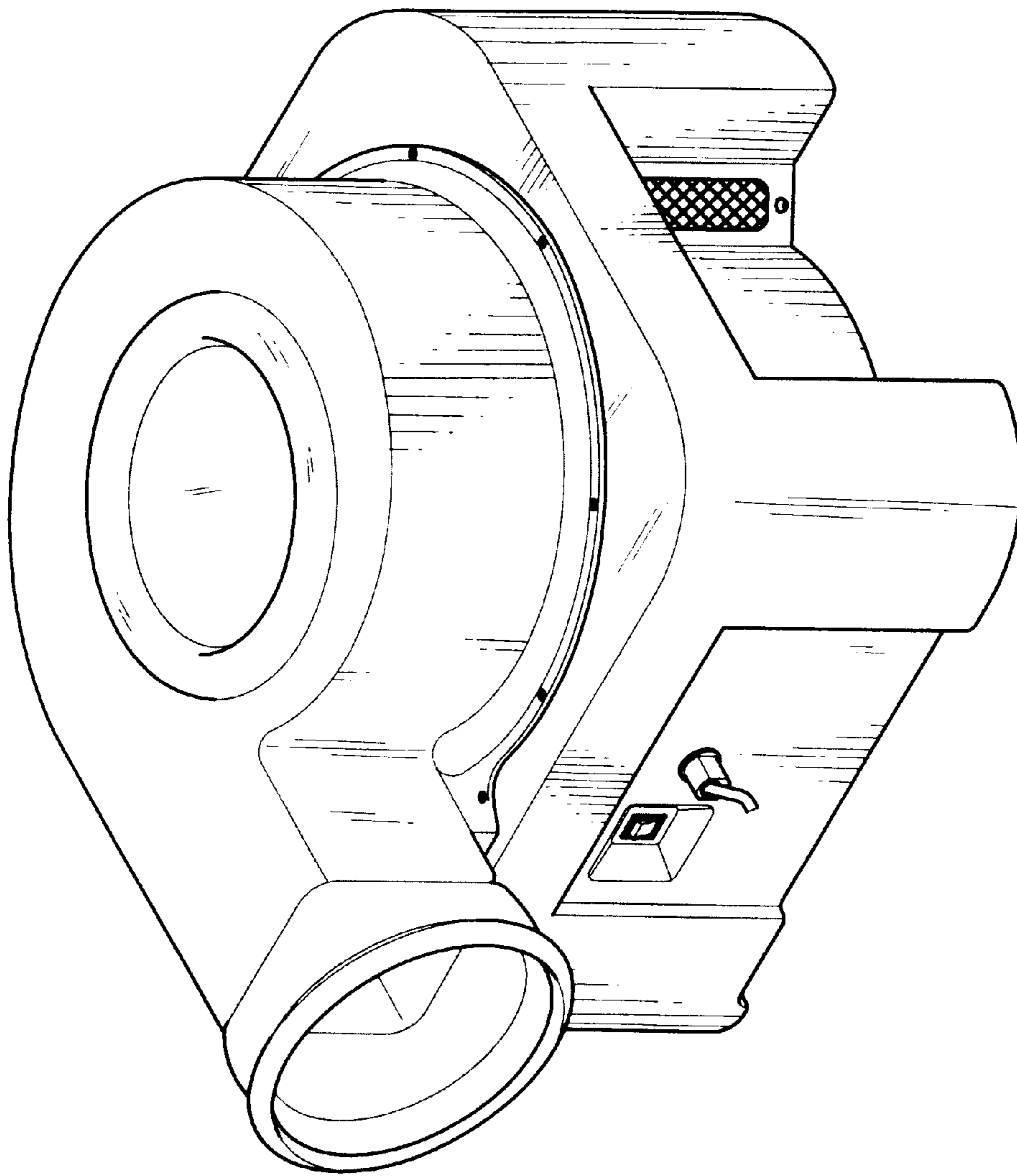


FIG. 1

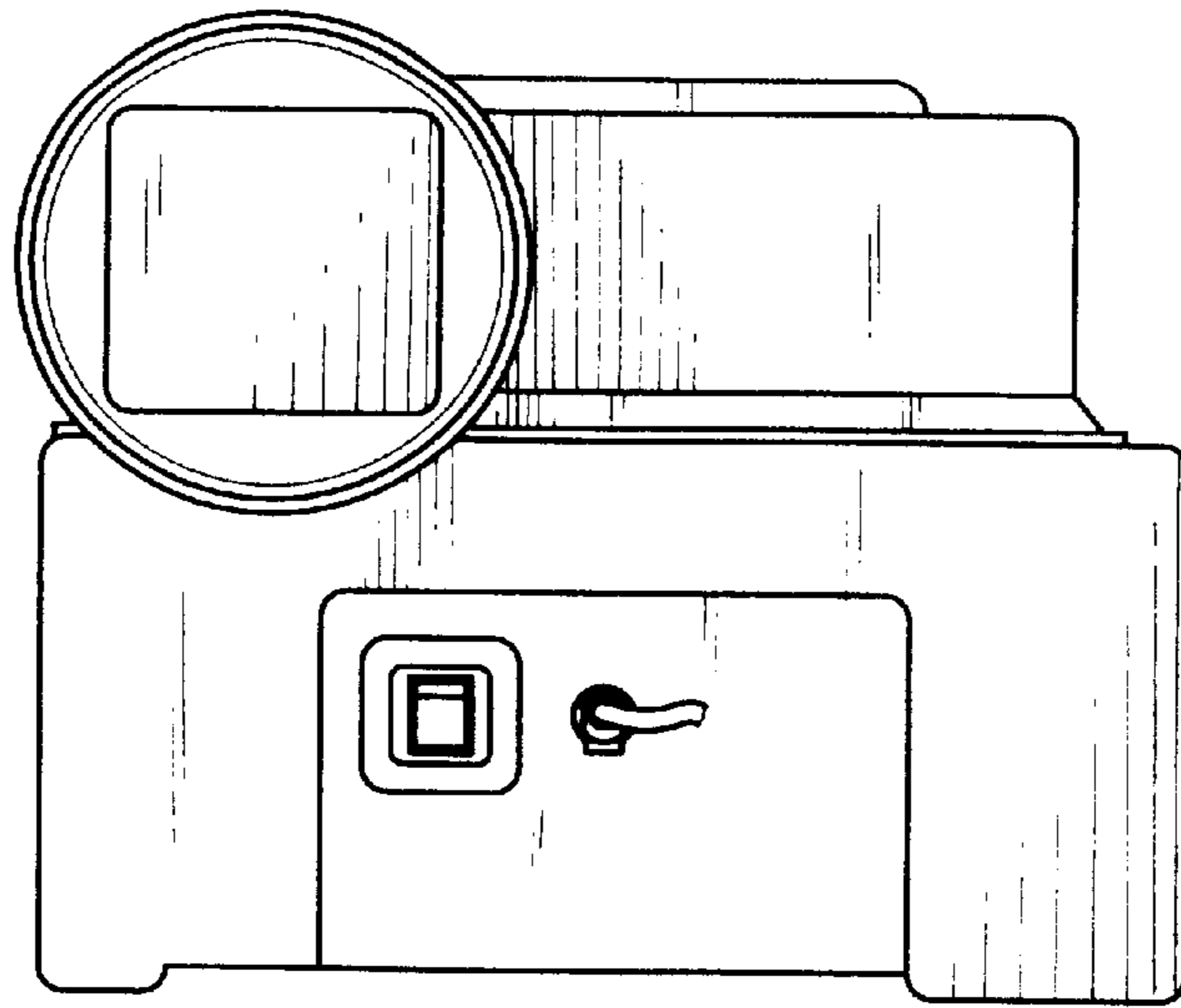


FIG. 2

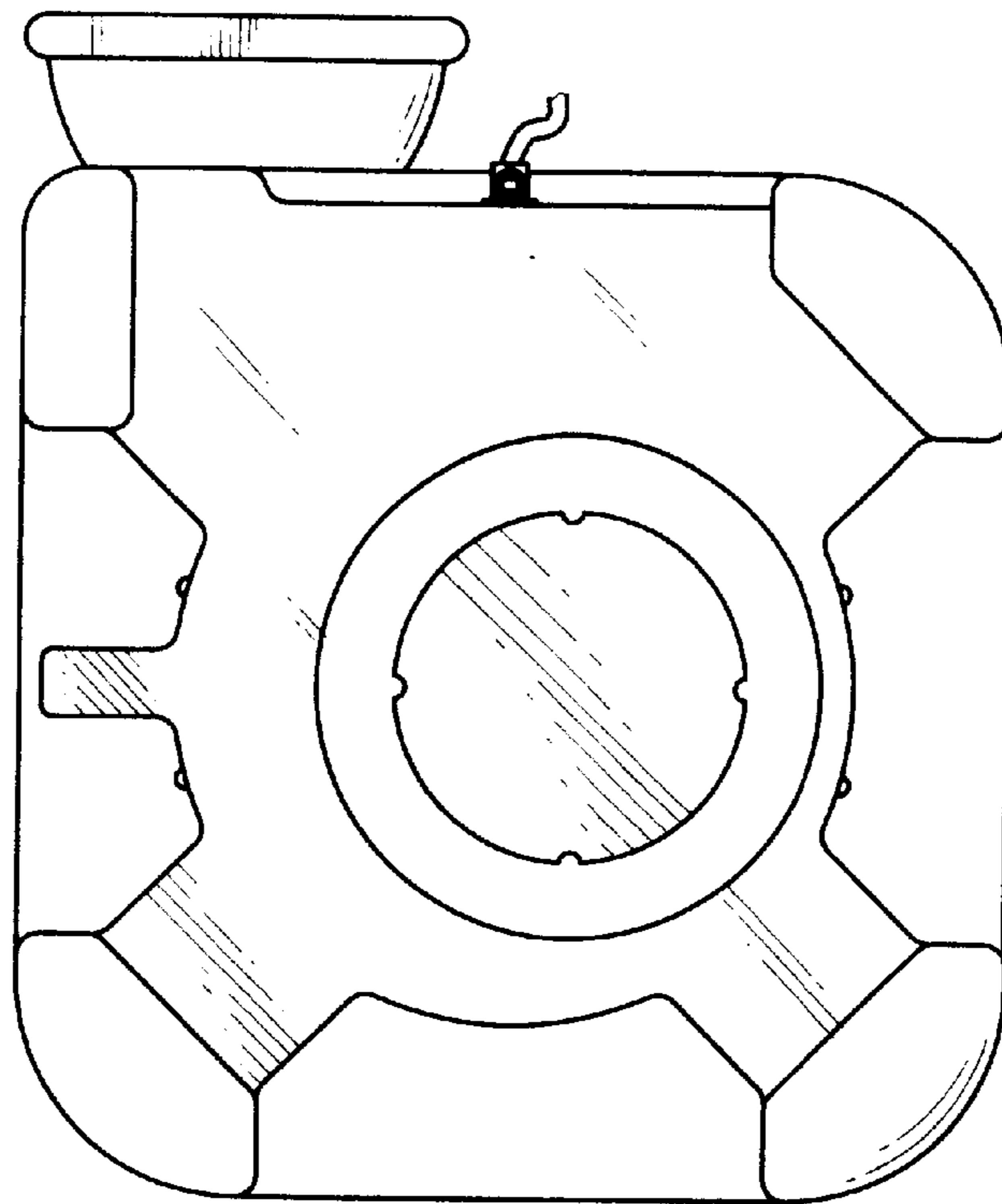


FIG. 5

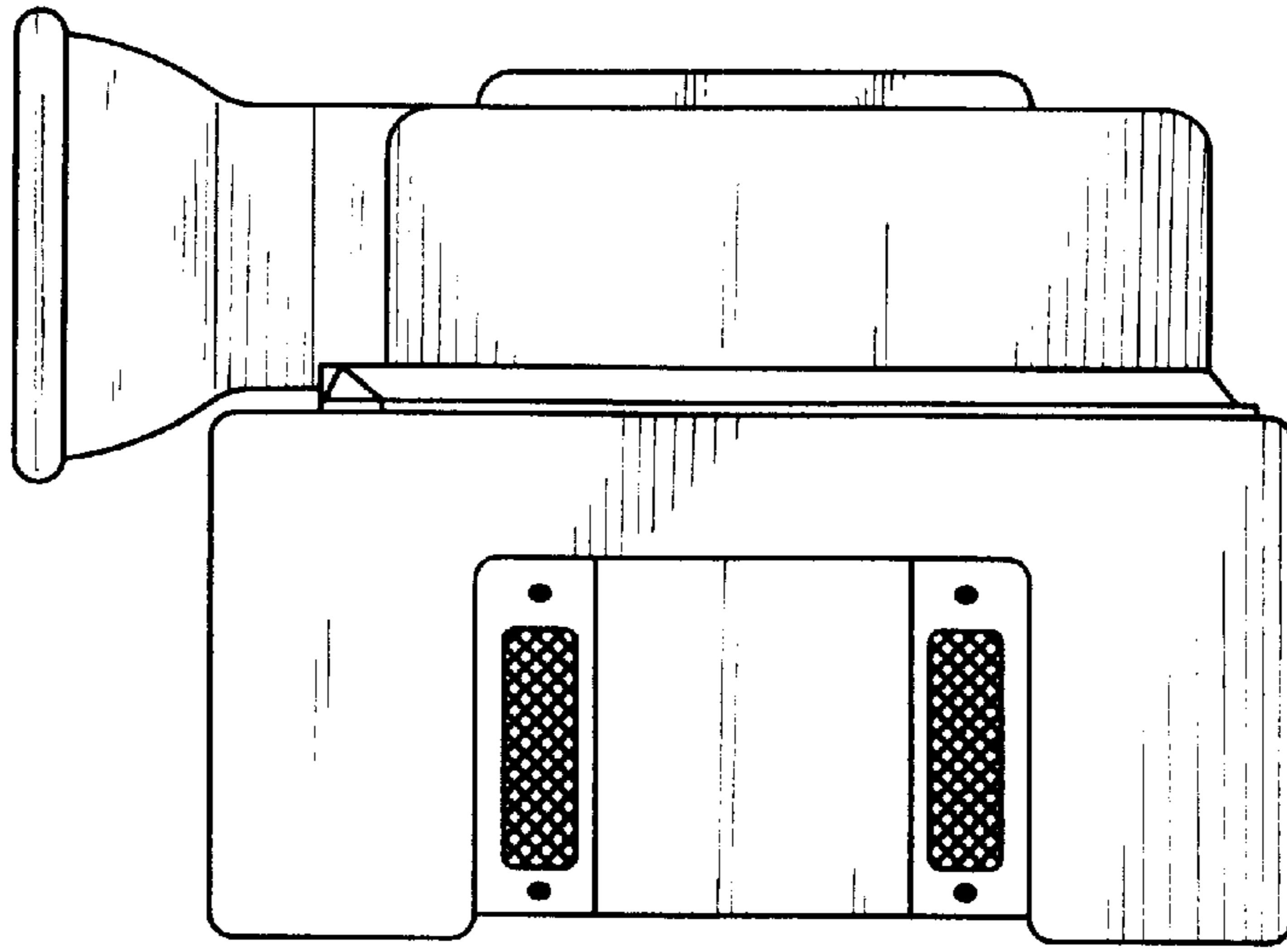


FIG. 3

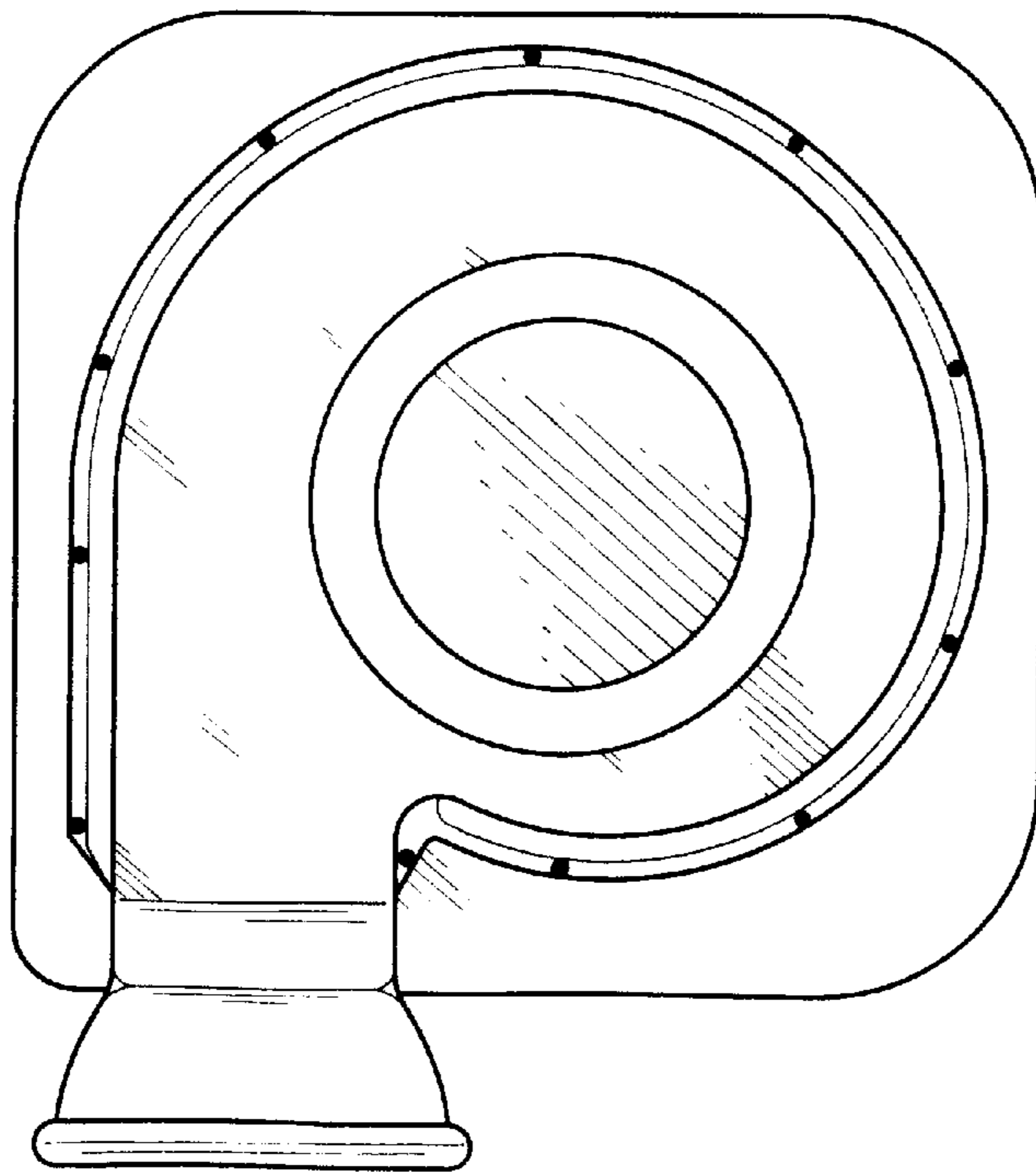


FIG. 4

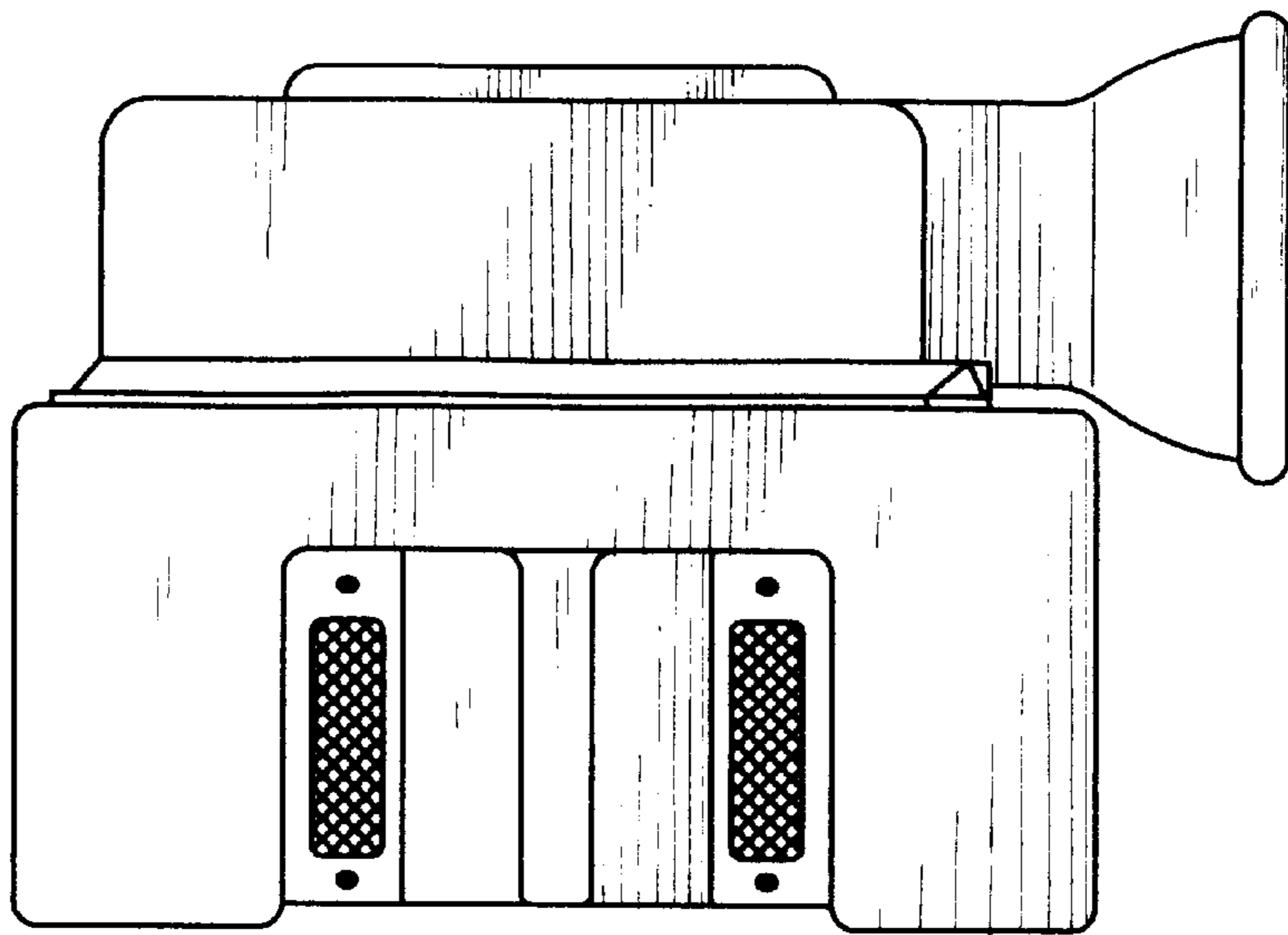


FIG. 6

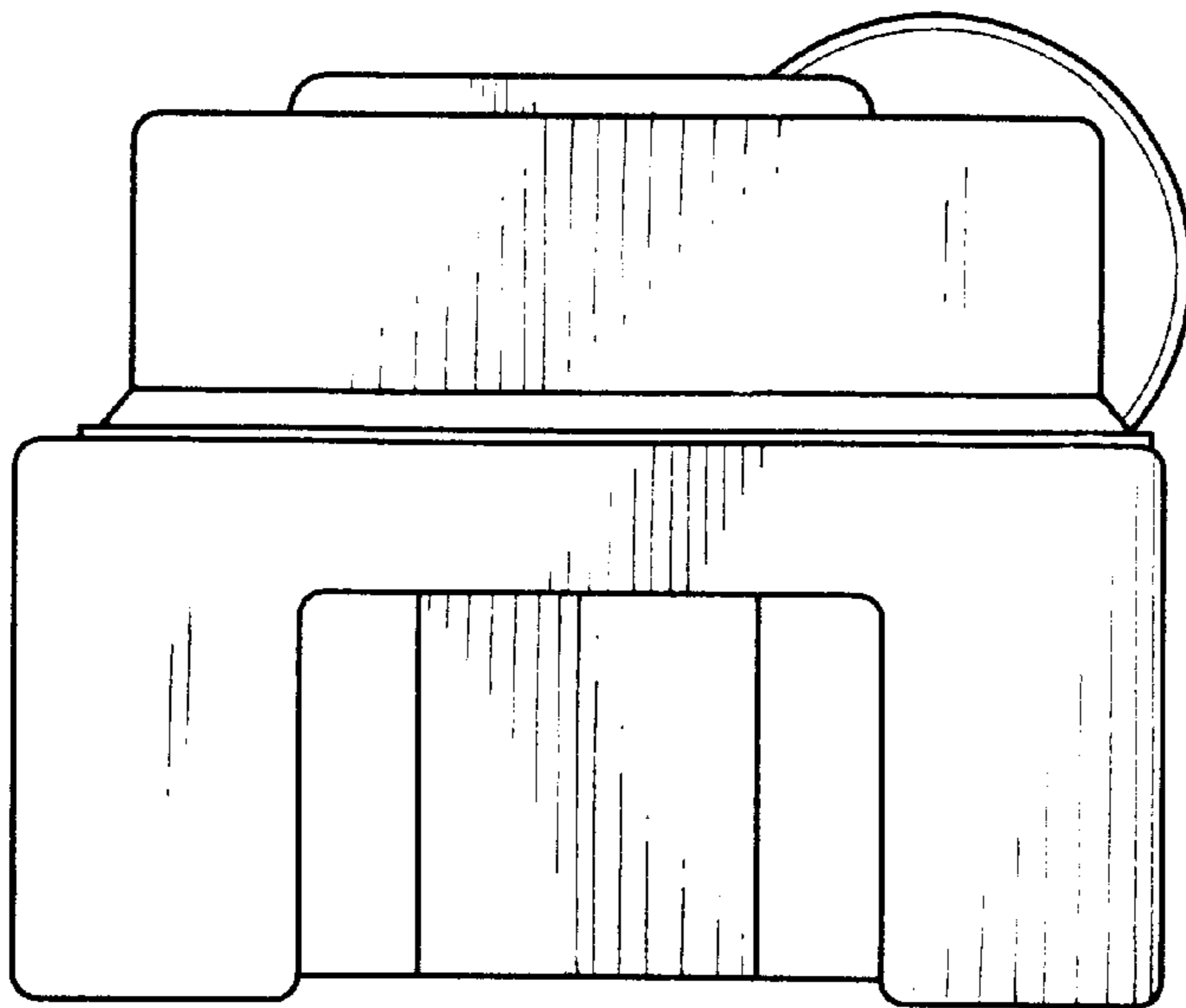


FIG. 7