



US00D481110S

(12) **United States Design Patent**
Snyder, Sr. et al.

(10) **Patent No.:** **US D481,110 S**

(45) **Date of Patent:** **** Oct. 21, 2003**

(54) **TEE COUPLING**

(75) Inventors: **Ronald R. Snyder, Sr.**, Schnecksville, PA (US); **Charles E. Wilk, Jr.**, Northampton, PA (US); **Lawrence W. Thau, Jr.**, Flemington, NJ (US); **Douglas R. Dole**, Whitehouse Station, NJ (US)

(73) Assignee: **Victaulic Company of America**, Easton, PA (US)

(**) Term: **14 Years**

(21) Appl. No.: **29/172,658**

(22) Filed: **Dec. 16, 2002**

(51) **LOC (7) Cl.** **23-01**

(52) **U.S. Cl.** **D23/263**

(58) **Field of Search** D23/262, 263;
285/133.11, 133.21, 133.3, 133.4, 133.5,
133.6

(56) **References Cited**

U.S. PATENT DOCUMENTS

4,047,743	A	9/1977	Weintraub et al.	285/340
4,073,514	A	2/1978	Pate	285/127
4,586,734	A	5/1986	Grenier	285/340
4,848,396	A *	7/1989	Sisk	137/375
4,889,318	A *	12/1989	Sisk	251/356
5,603,530	A	2/1997	Guest	285/105
5,695,224	A	12/1997	Grenier	285/104
D389,562	S *	1/1998	Picton	D23/263
6,499,771	B1	12/2002	Snyder, Sr. et al.	285/319

OTHER PUBLICATIONS

AMS Anderson Metals Corporation 1987; Reducing Tee's.*
U.S. patent application Ser. No. 10/007,951, filed Dec. 3, 2001, entitled "Mechanical Pipe Coupling Derived from a Standard Fitting" (Snyder Sr. et al).

U.S. patent application Ser. No. 10/123,607, filed Apr. 16, 2002, entitled "Mechanical Pipe Coupling Derived from a Standard Fitting" (Snyder Sr. et al).

U.S. patent application Ser. No. 10/229,164, filed Nov. 19, 2002, entitled "Clamping Mechanical Pipe Coupling Derived from a Standard Fitting" (Snyder Sr. et al).

U.S. patent application Ser. No. 10/299,281, filed Nov. 19, 2002, entitled "Triple-Expanded Mechanical Pipe Coupling Derived from a Standard Fitting" (Snyder Sr. et al).

IMI Yorkshire Fittings Group Web Page, including Tectite Products and Installation (4 pages; downloaded Mar. 15, 2000).

(List continued on next page.)

Primary Examiner—Robin V. Taylor

(74) *Attorney, Agent, or Firm*—Synnestvedt & Lechner LLP

(57) **CLAIM**

The ornamental design for a tee coupling, as shown and described.

DESCRIPTION

FIG. 1 is a perspective view of a first embodiment of our design for a tee coupling;

FIG. 2 is a left side view of the tee coupling shown in FIG. 1, the right side being shown in perspective in FIG. 1;

FIG. 3 is an end view of the tee coupling shown in FIG. 1, the opposite end view being identical;

FIG. 4 is a bottom view of the tee coupling shown in FIG. 1;

FIG. 5 is a top view of the tee coupling shown in FIG. 1;

FIG. 6 is a perspective view of a second embodiment of our design for a tee coupling;

FIG. 7 is a left side view of the tee coupling shown in FIG. 6, the right side being shown in perspective in FIG. 6;

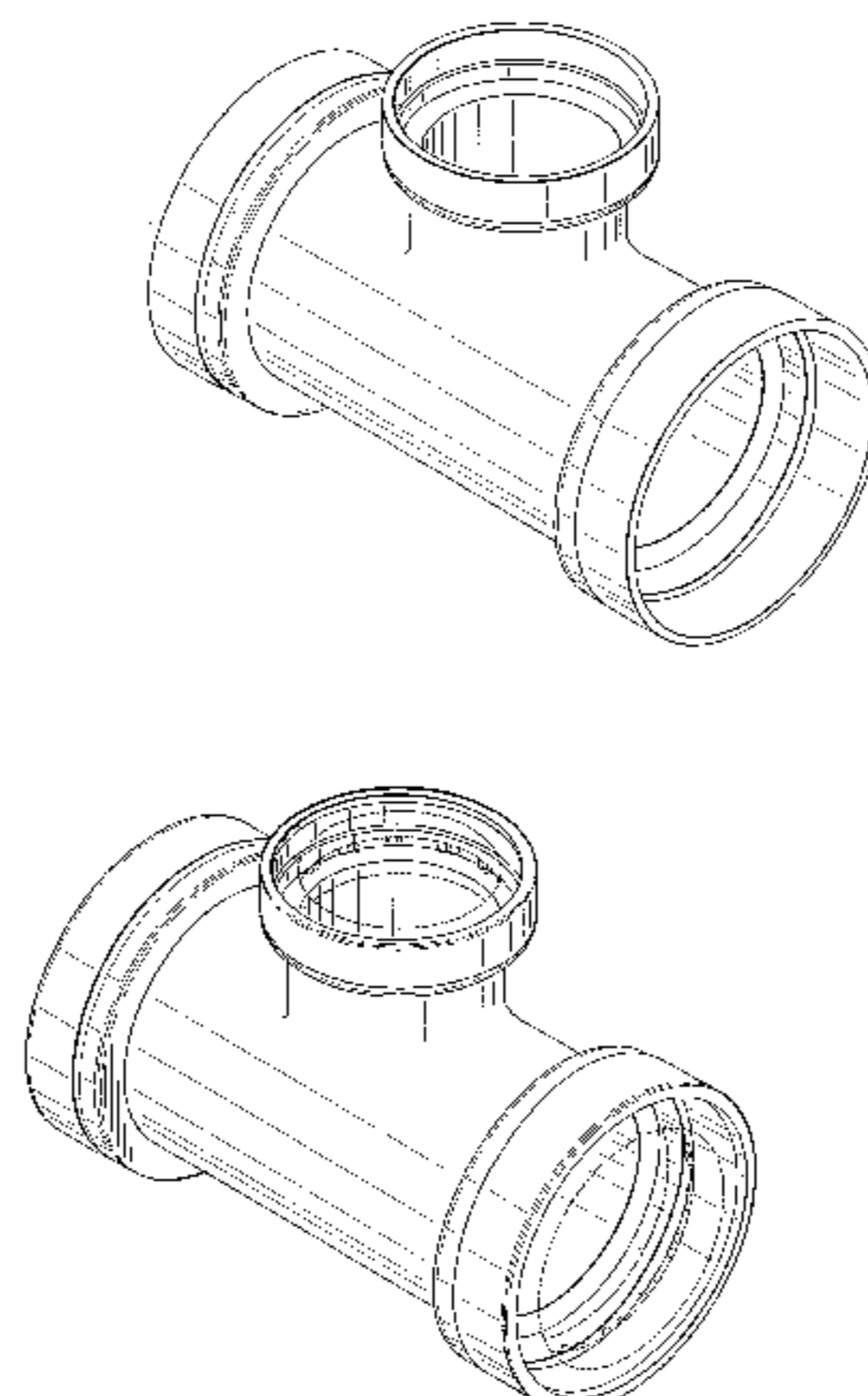
FIG. 8 is an end view of the tee coupling shown in FIG. 6, the opposite end view being identical;

FIG. 9 is a bottom view of the tee coupling shown in FIG. 6; and,

FIG. 10 is a top view of the tee coupling shown in FIG. 6.

The broken lines in FIGS. 6, 8 and 10 are shown for illustrative purposes only and form no part of the claimed design.

1 Claim, 4 Drawing Sheets



OTHER PUBLICATIONS

cuprofit® Push-Fit for the Professionals, copyright 2001 (1 page; downloaded Nov. 21, 2001).

IBP Group Web Site; web pages downloaded Mar. 15, 2000, including cuprofit®, >B<press and DELCOP® products, all copyrighted 1998 IBP (12 pages total).

U.S. Design patent application Ser. No. 29/172,661, filed Dec. 16, 2002, entitled Pipe Coupling (Snyder Sr. et al).

U.S. Design patent application Ser. No. 29/172,660, filed Dec. 16, 2002, entitled Elbow Coupling (Snyder Sr. et al).

U.S. Design patent application Ser. No. 29/172,657, filed Dec. 16, 2002, entitled Pipe Coupling (Dole et al).

U.S. Design patent application Ser. No. 29/172,654, filed Dec. 16, 2002, entitled Elbow Coupling (Dole et al).

U.S. Design patent application Ser. No. 29/172,645, filed Dec. 16, 2002, entitled Tee Coupling (Dole et al).

U.S. Design patent application Ser. No. 29/172,659, filed Dec. 16, 2002, entitled Pipe Coupling (Wilk Jr. et al).

U.S. Design application Ser. No. 29/172,644, filed Dec. 16, 2002, entitled Elbow Coupling (Wilk Jr. et al).

U.S. Design patent application Ser. No. 29/172,643, filed Dec. 16, 2002, entitled Tee Coupling (Wilk Jr. et al).

* cited by examiner

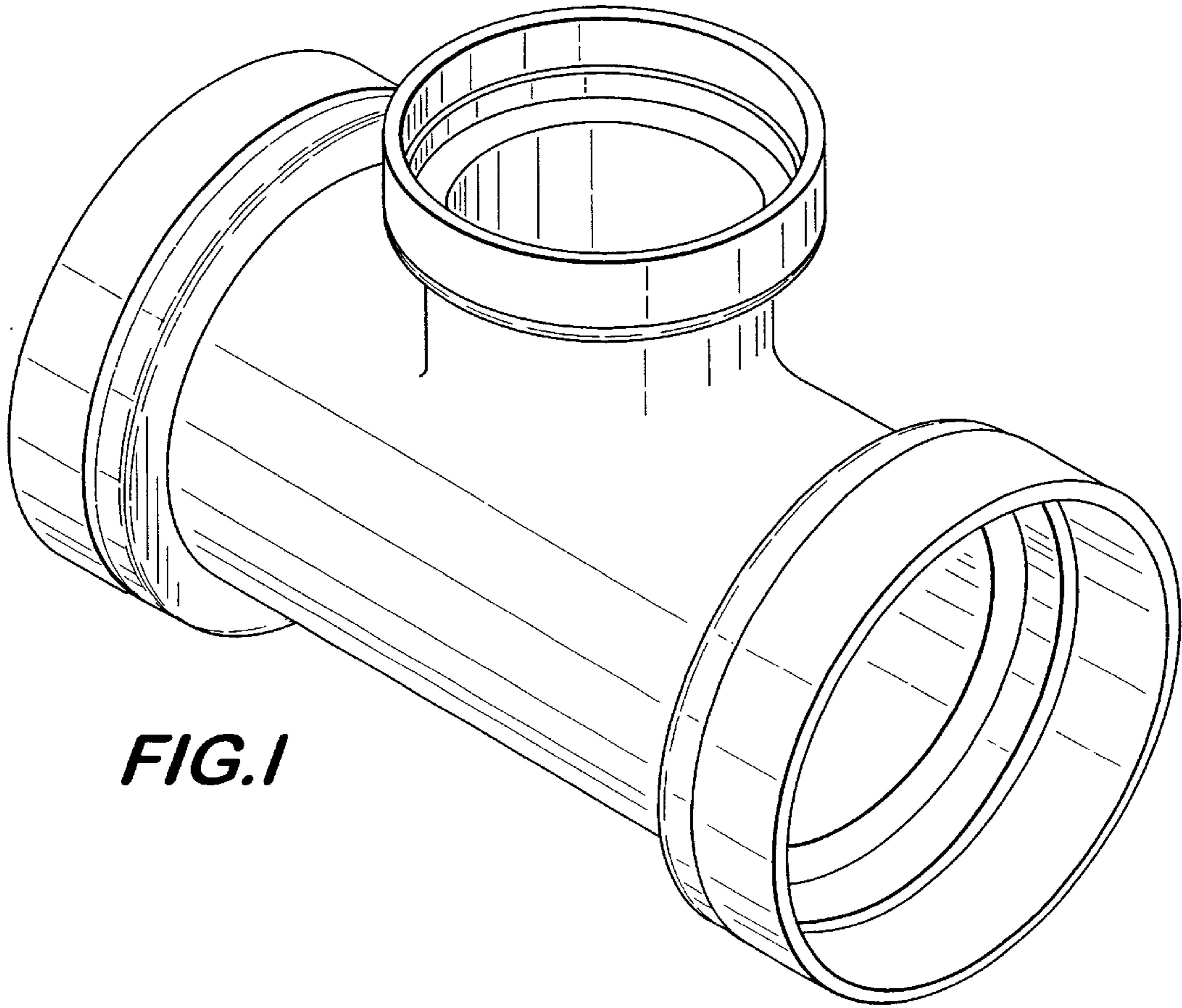


FIG. 1

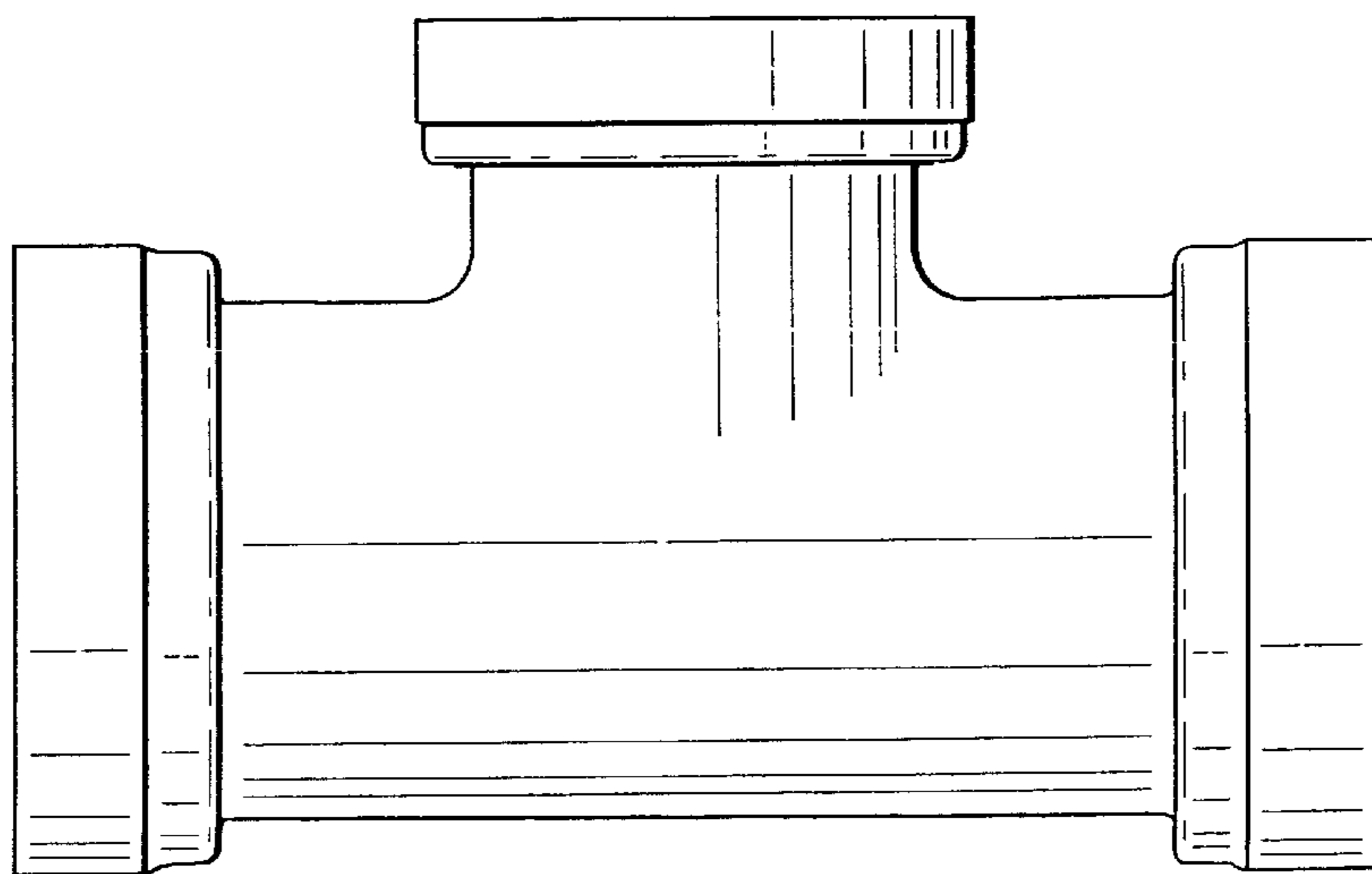


FIG. 2

FIG.3

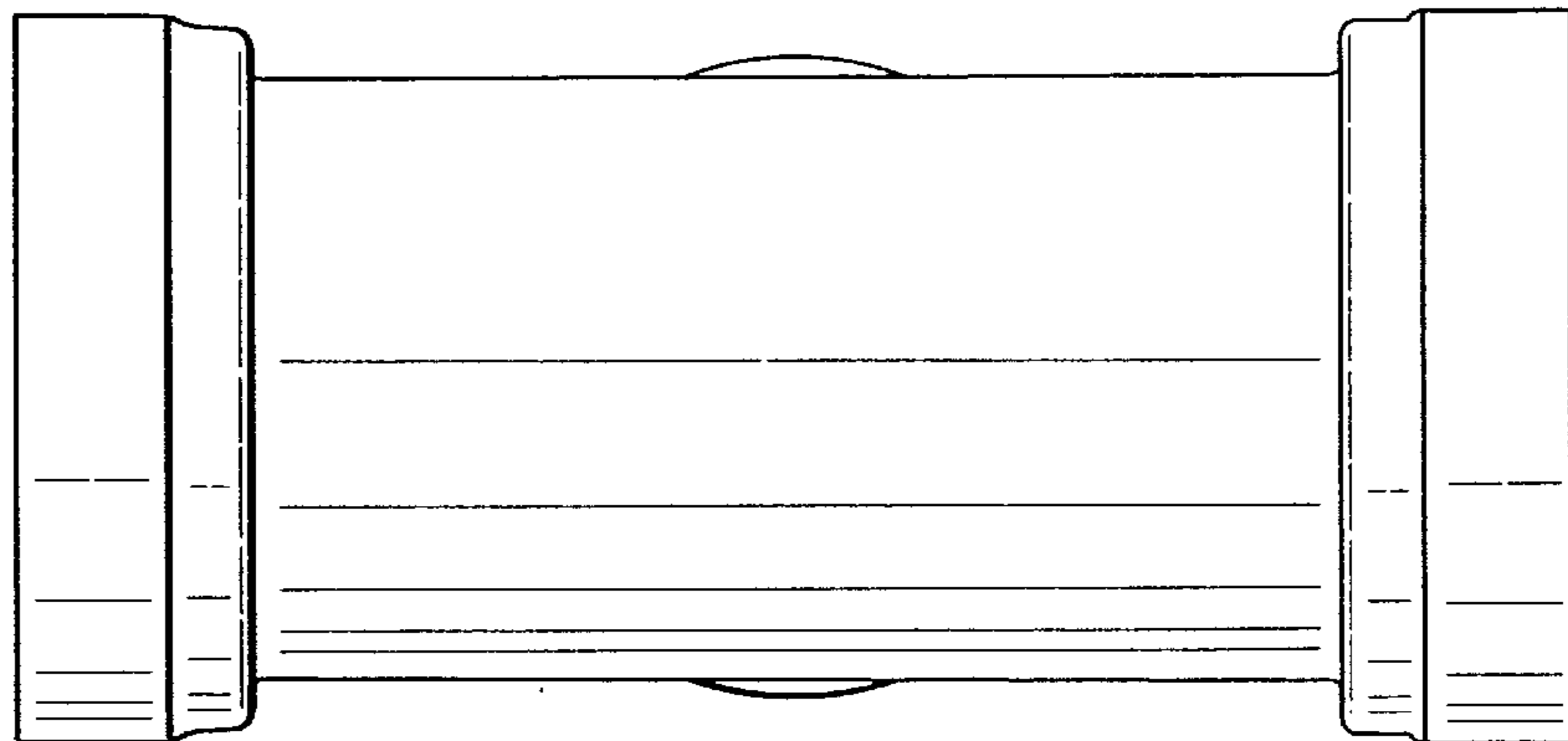
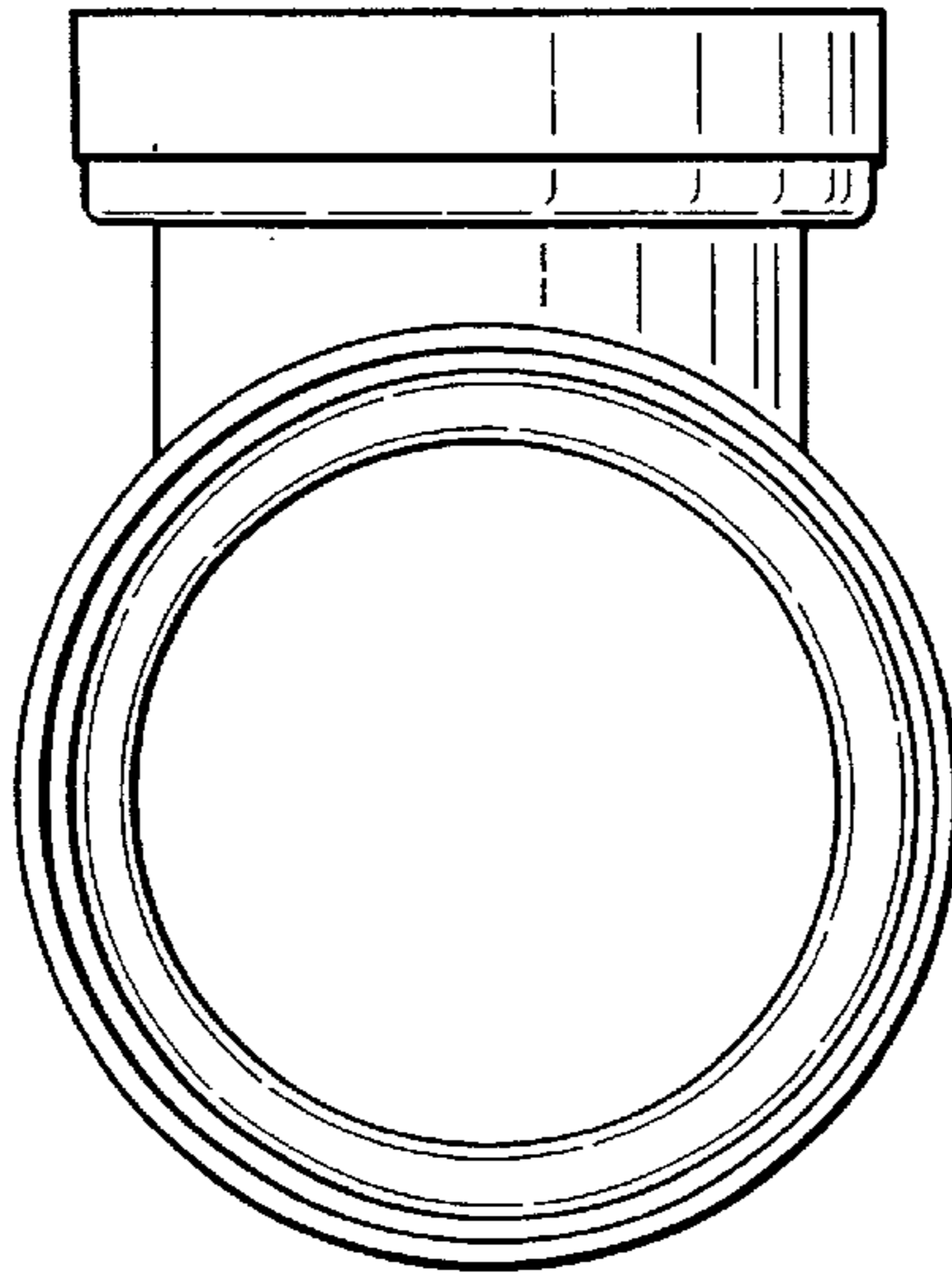


FIG.4

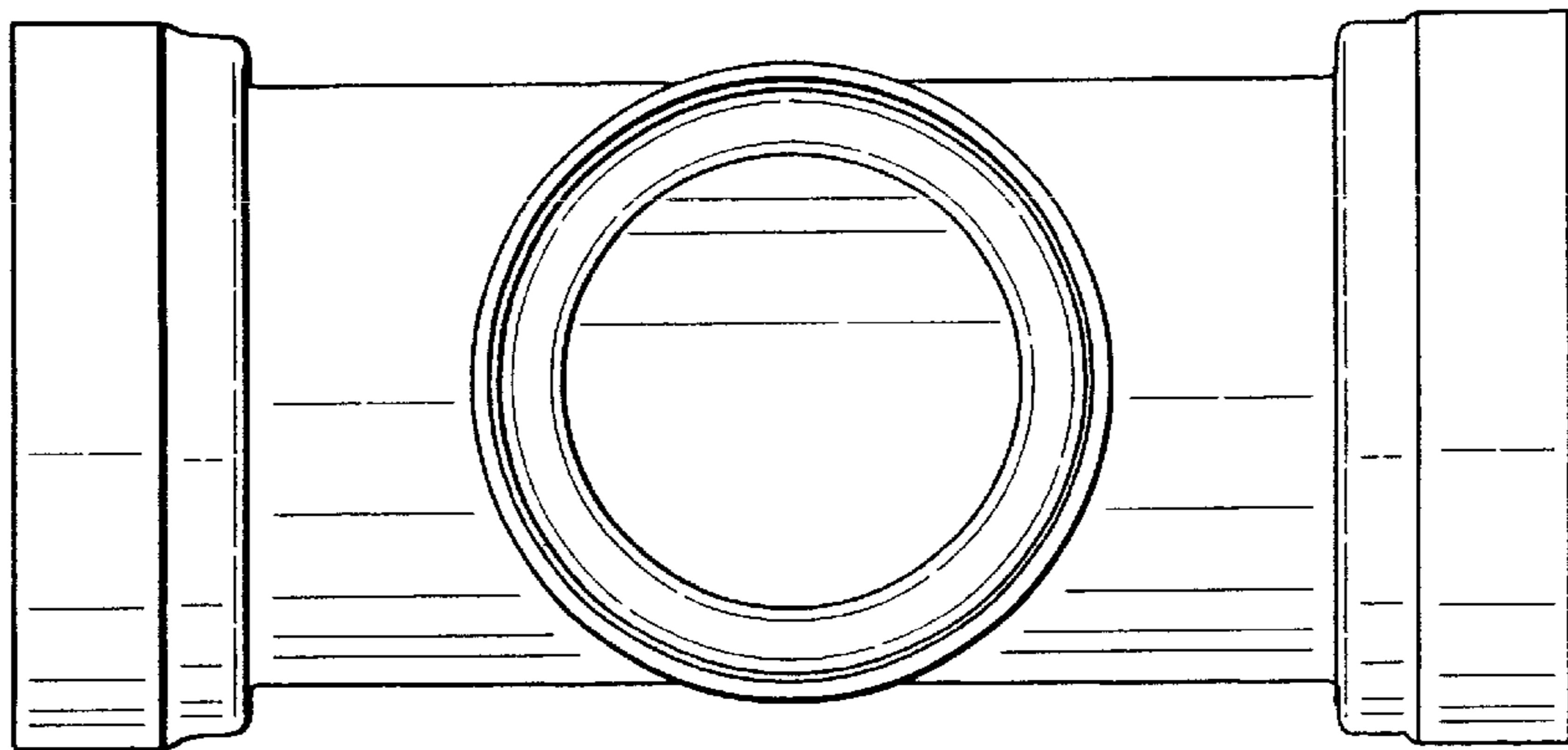


FIG.5

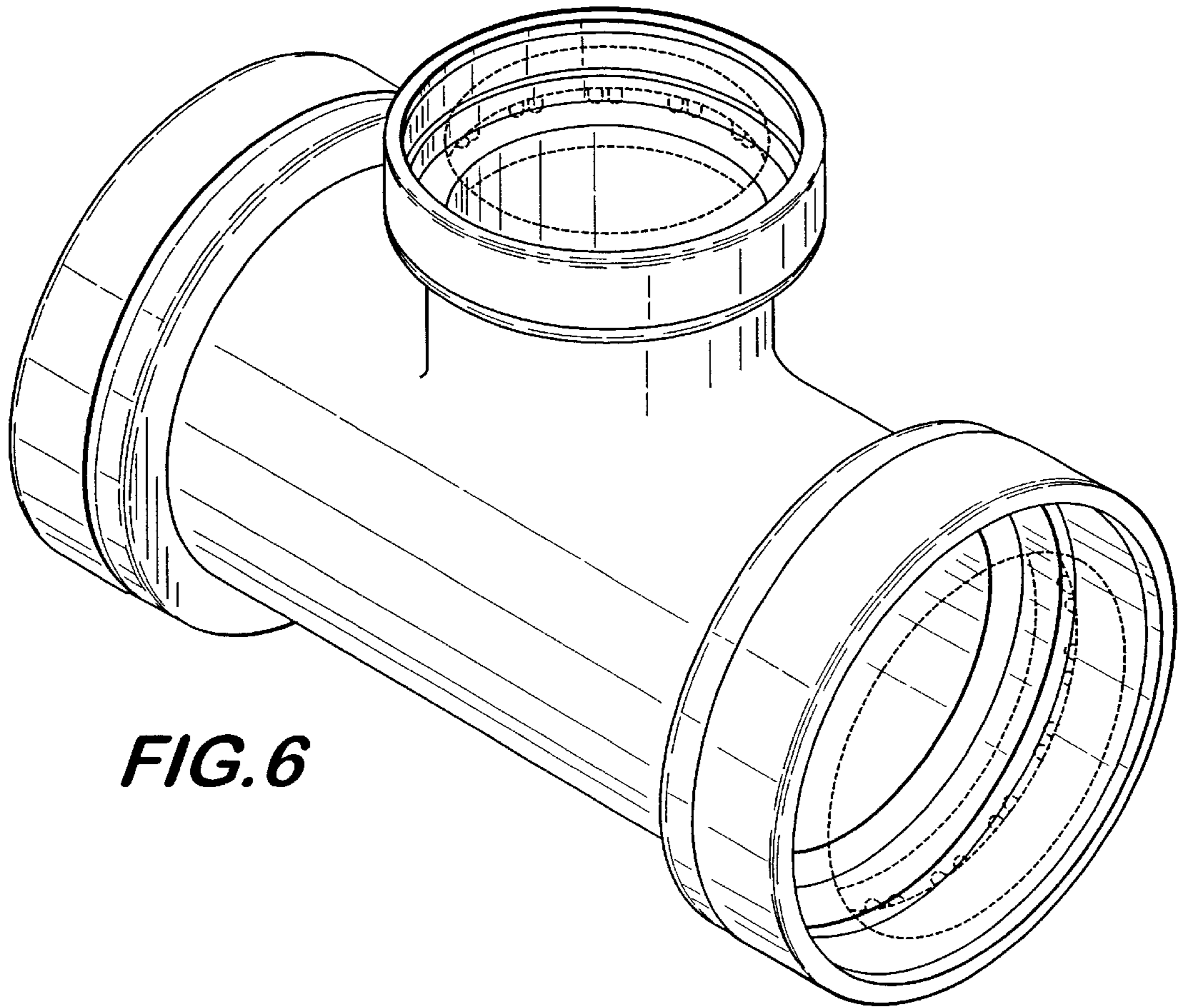


FIG. 6

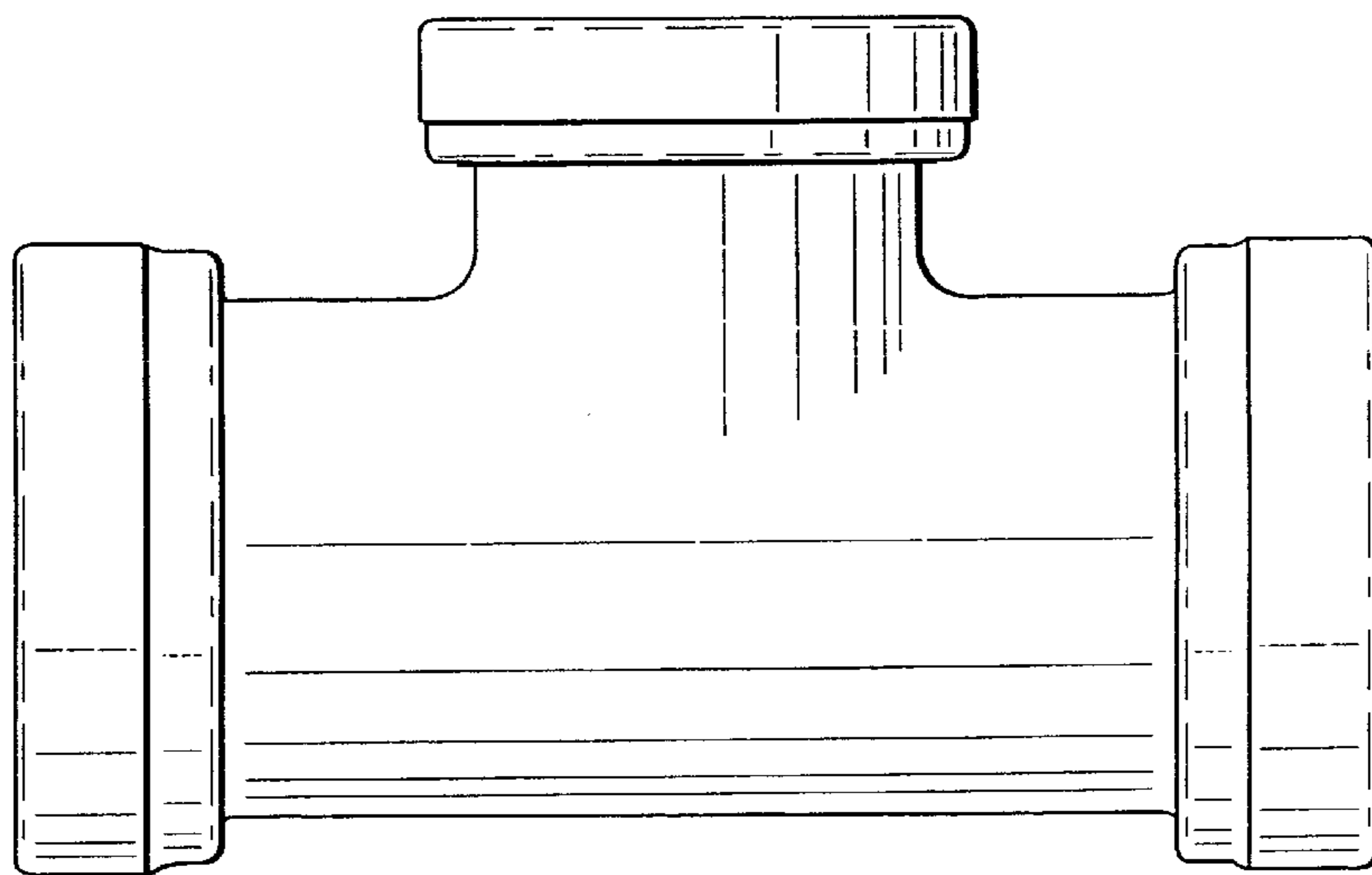


FIG. 7

FIG. 8

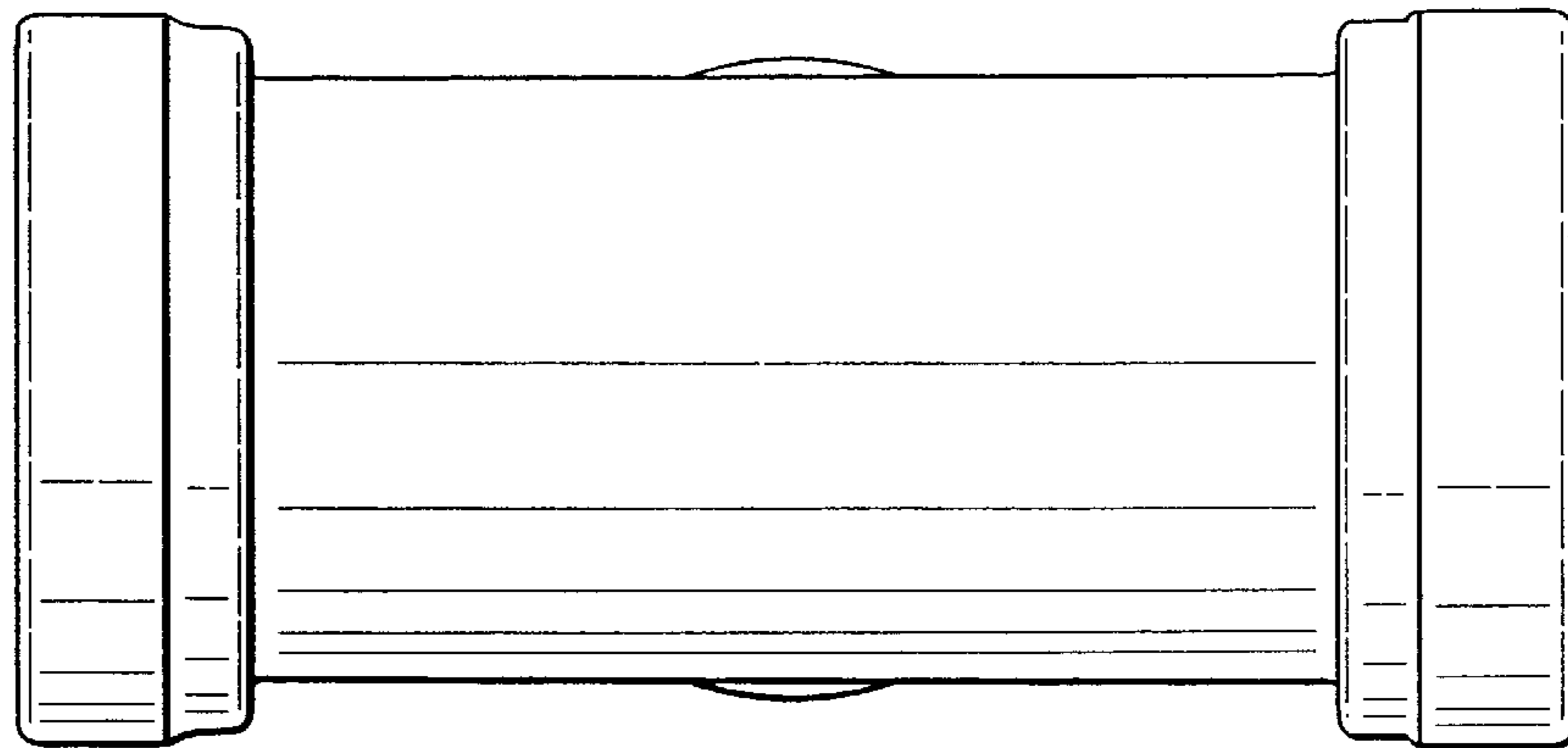
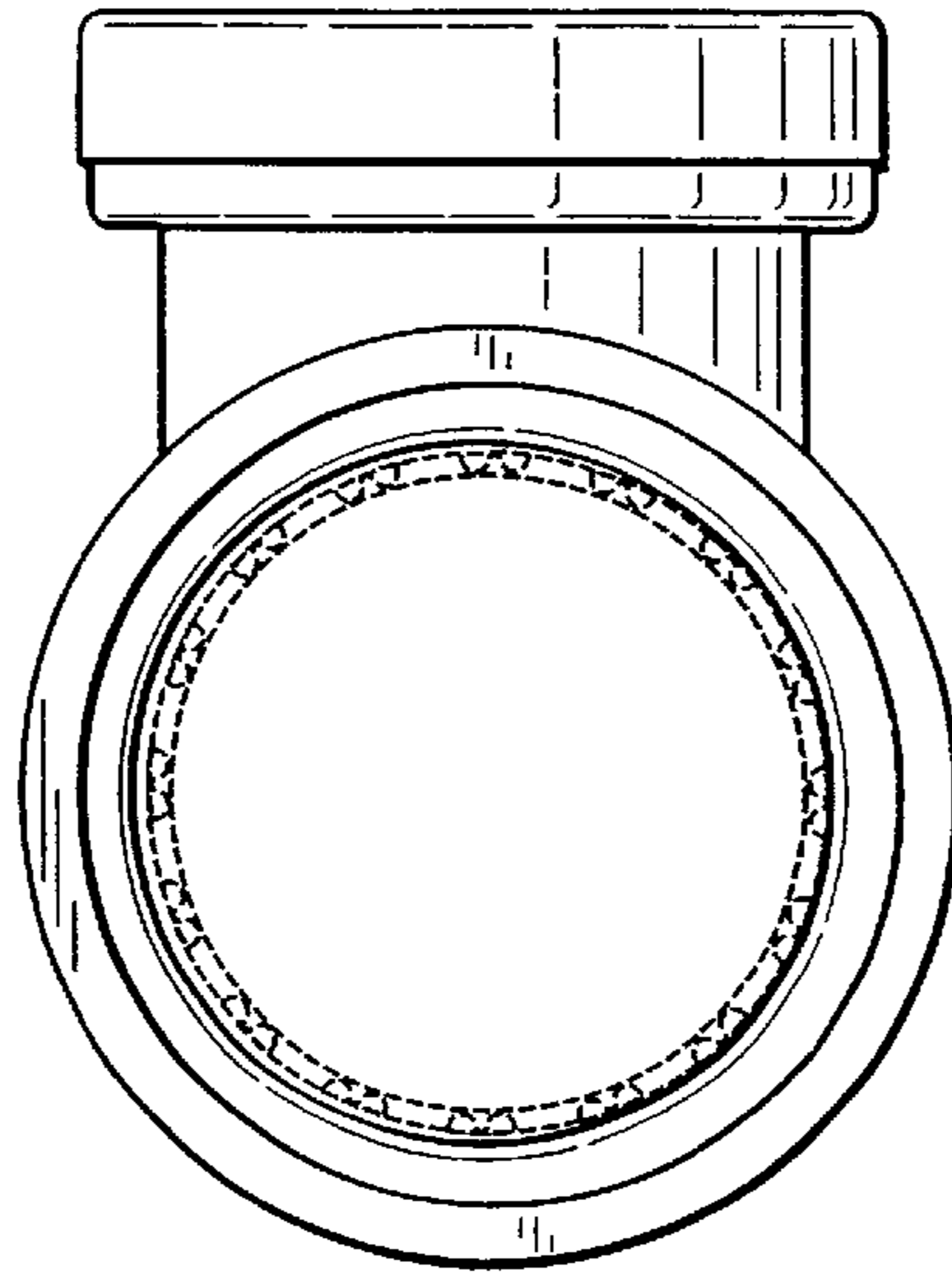


FIG. 9

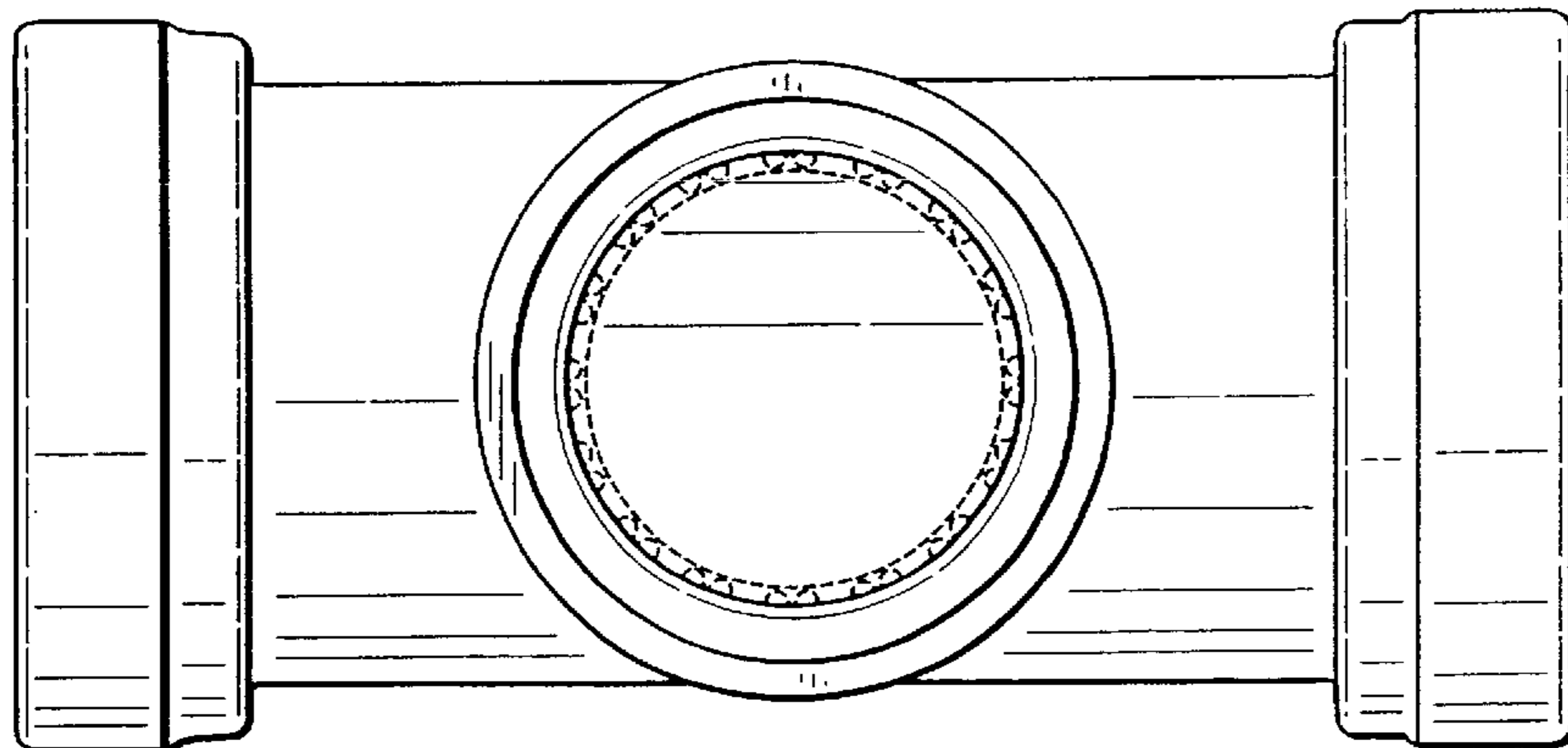


FIG. 10