



US00D481107S

(12) **United States Design Patent**  
**Lord**

(10) **Patent No.:** **US D481,107 S**

(45) **Date of Patent:** **\*\* Oct. 21, 2003**

(54) **PULL-OUT SPOUT**

(75) Inventor: **Judd A. Lord**, Carmel, IN (US)

(73) Assignee: **Masco Corporation of Indiana**,  
Indianapolis, IN (US)

(\*\*) Term: **14 Years**

(21) Appl. No.: **29/151,964**

(22) Filed: **Dec. 12, 2001**

(51) **LOC (7) Cl.** ..... **23-01**

(52) **U.S. Cl.** ..... **D23/255; D23/223**

(58) **Field of Search** ..... **D23/238, 255,**  
**D23/223, 226, 239; 4/675-678; 137/801;**  
**239/587.1, 462, 394**

(56) **References Cited**

**U.S. PATENT DOCUMENTS**

D320,642 S	*	10/1991	Geneve et al.	.....	D23/223
D348,720 S	*	7/1994	Haug et al.	.....	D23/223
D437,390 S	*	2/2001	Fleischmann	.....	D23/223
D440,630 S	*	4/2001	Gottwald	.....	D23/223
D467,636 S	*	12/2002	Boesch	.....	D23/223

\* cited by examiner

*Primary Examiner*—Louis S. Zarfaz

*Assistant Examiner*—Gregory Andoll

(74) *Attorney, Agent, or Firm*—Kwadjo Adusei-Poku;  
Lloyd D. Doigan

(57) **CLAIM**

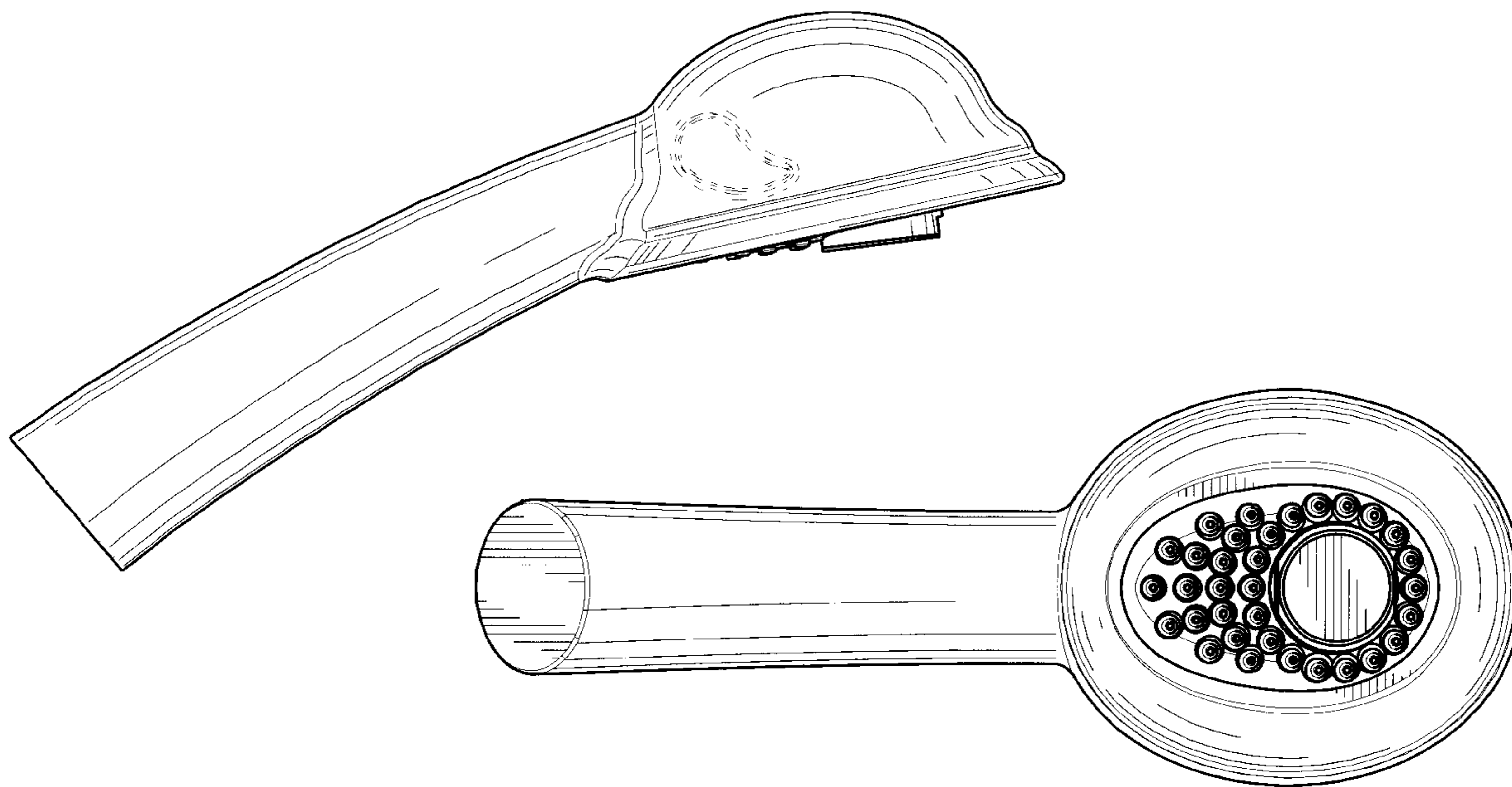
The ornamental design for a pull-out spout, as shown and described.

**DESCRIPTION**

FIG. 1 is a front perspective view of the pull-out spout showing my new design;  
FIG. 2 is a rear perspective view thereof;  
FIG. 3 is a right side elevational view thereof;  
FIG. 4 is a left side elevational view thereof;  
FIG. 5 is a top plan view thereof;  
FIG. 6 is a front elevational view thereof;  
FIG. 7 is a rear elevational view thereof; and,  
FIG. 8 is a bottom plan view thereof.

The broken line showing of the spray select button in FIGS. 1-5 and 7 is for purposes of illustration only and forms no part of the claimed design.

**1 Claim, 7 Drawing Sheets**



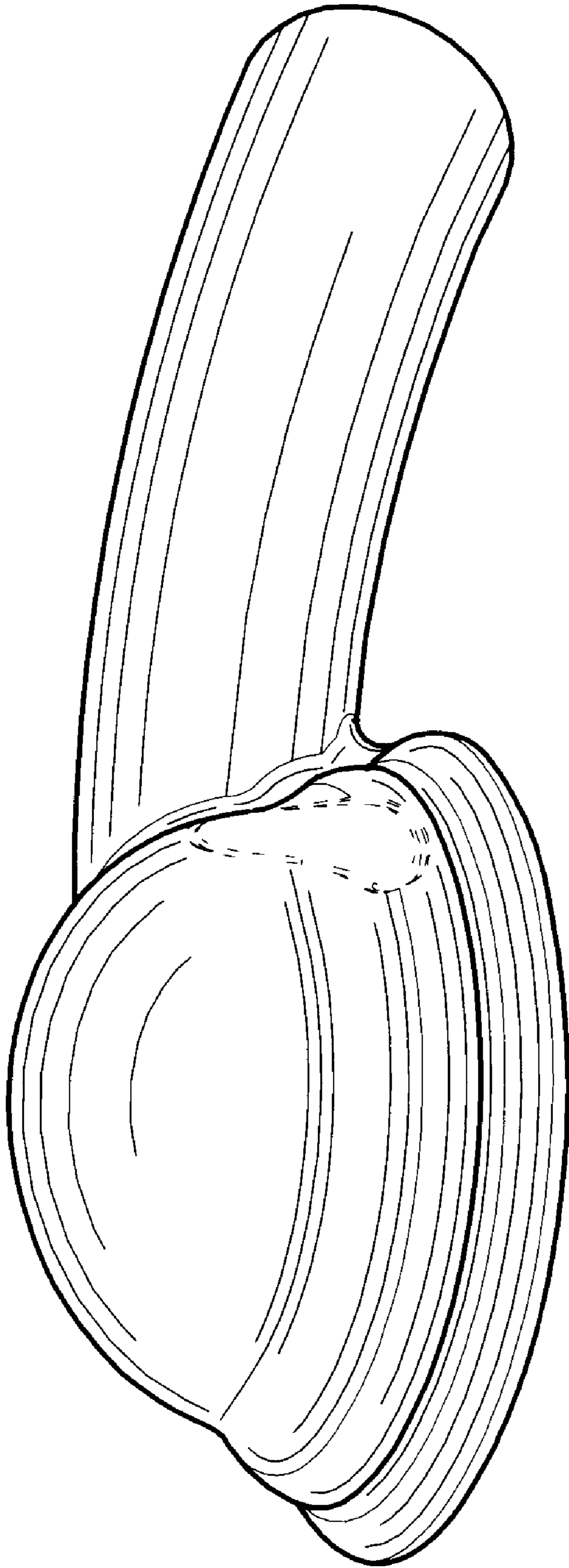


Figure - 1

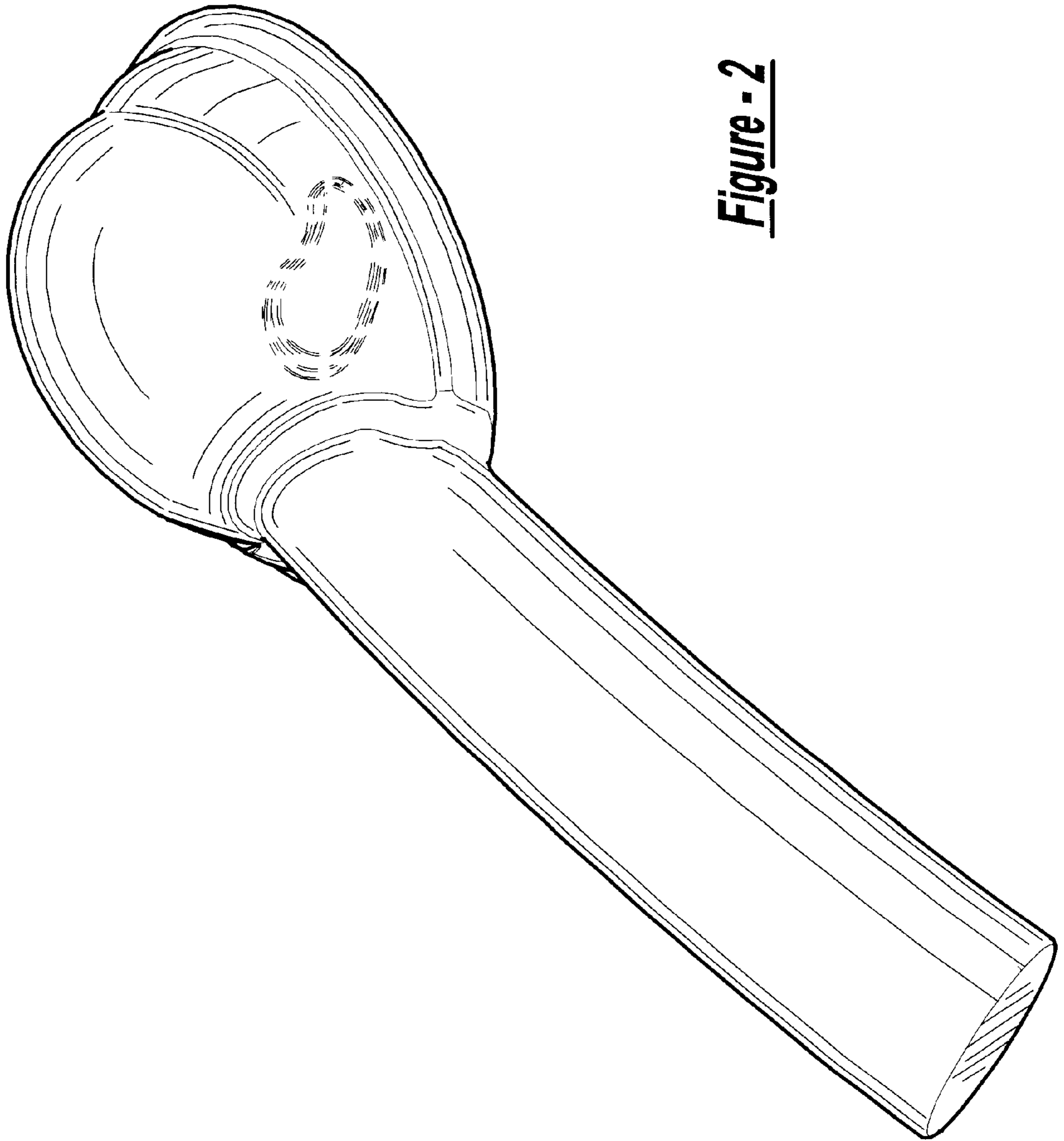


Figure - 2

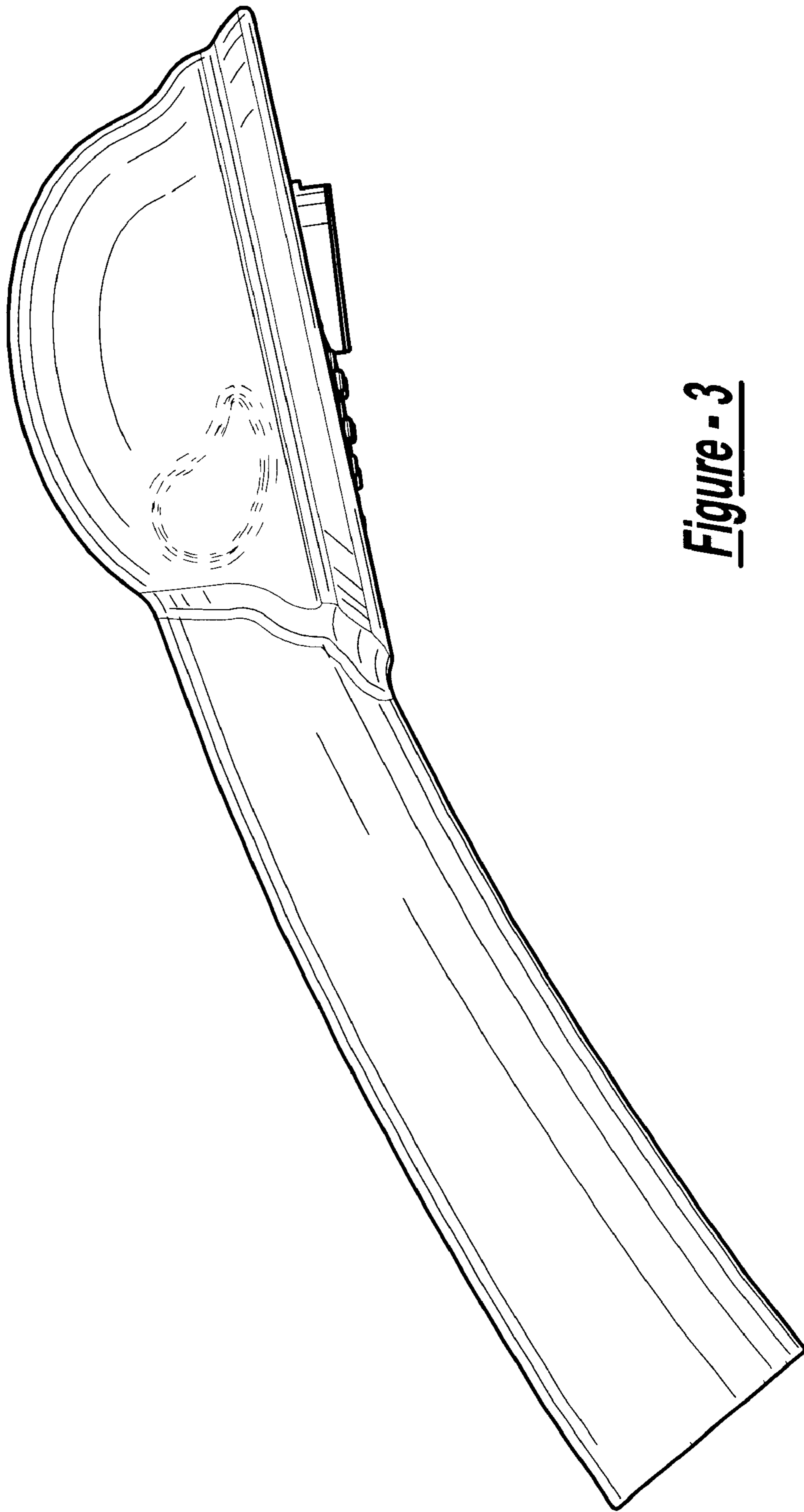


Figure - 3

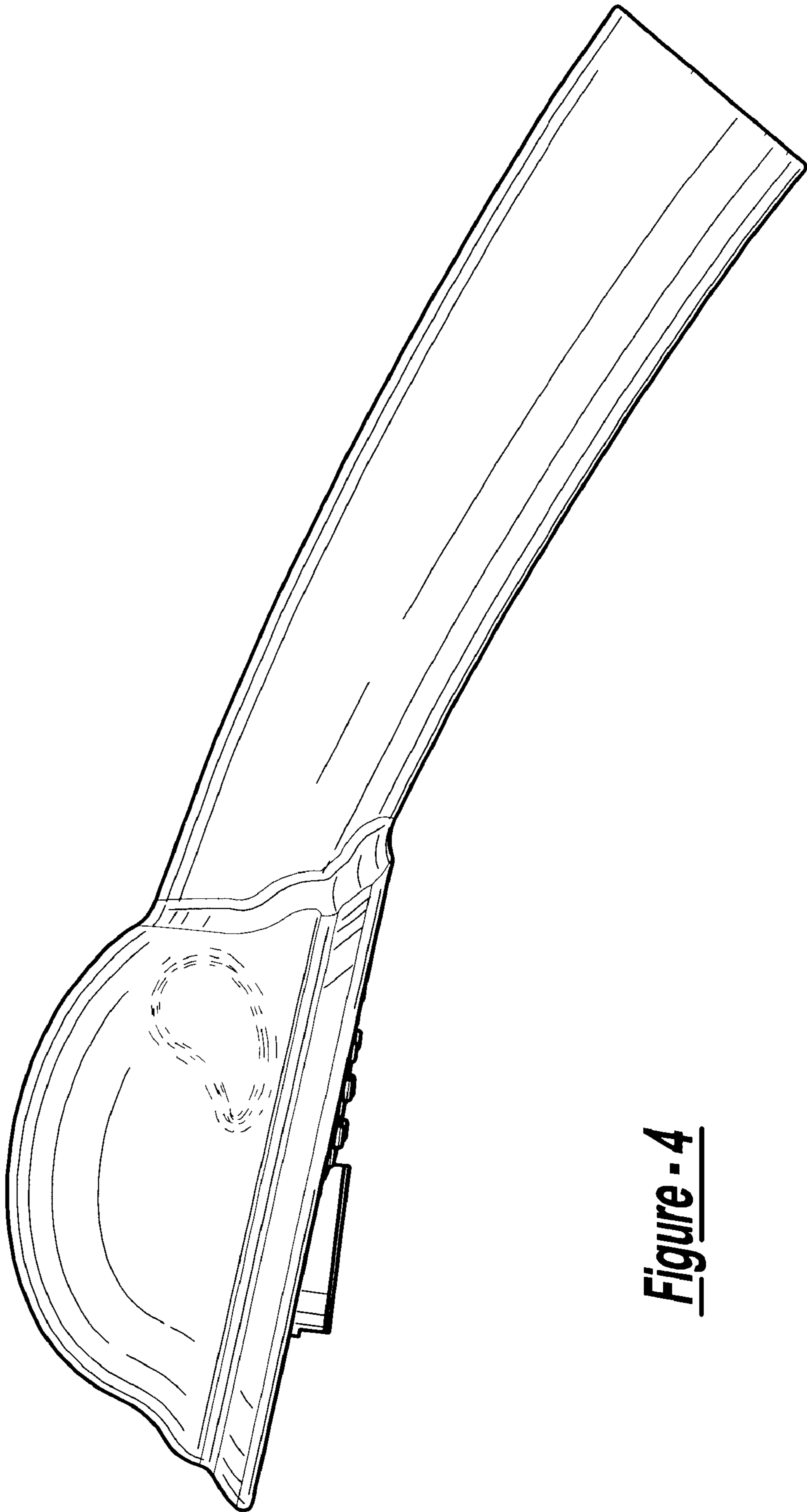


Figure - 4

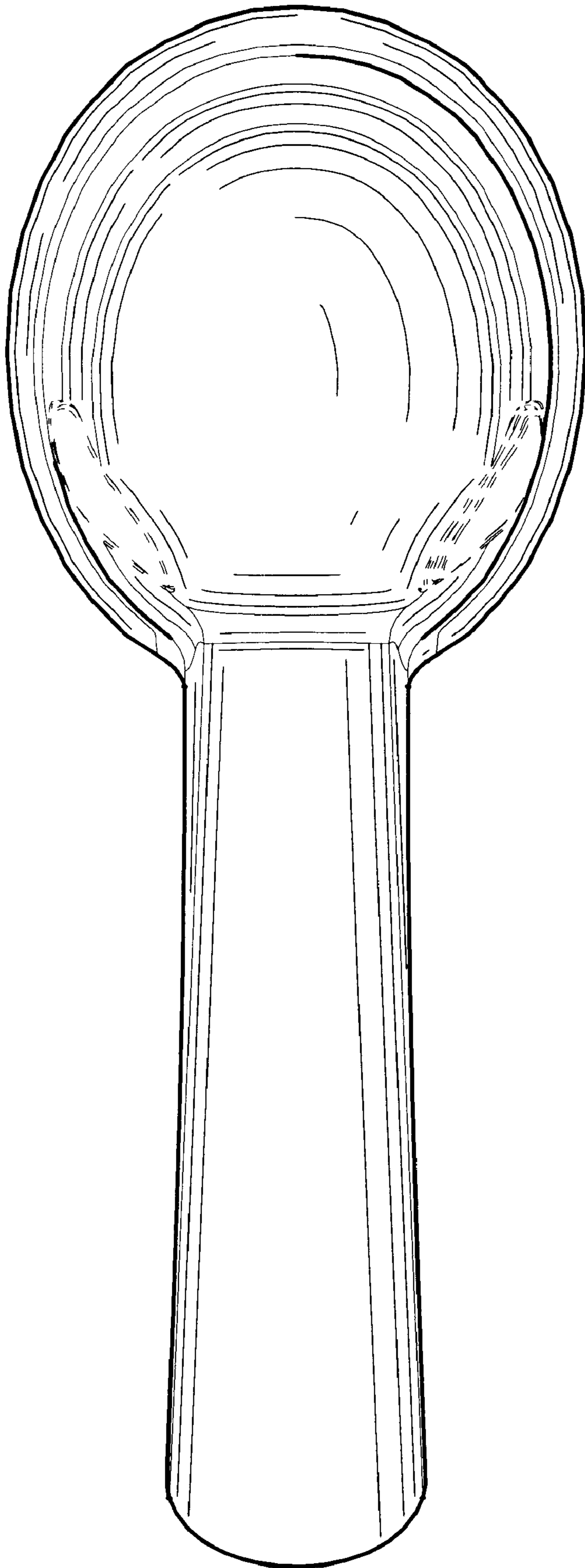


Figure - 5

Figure - 7

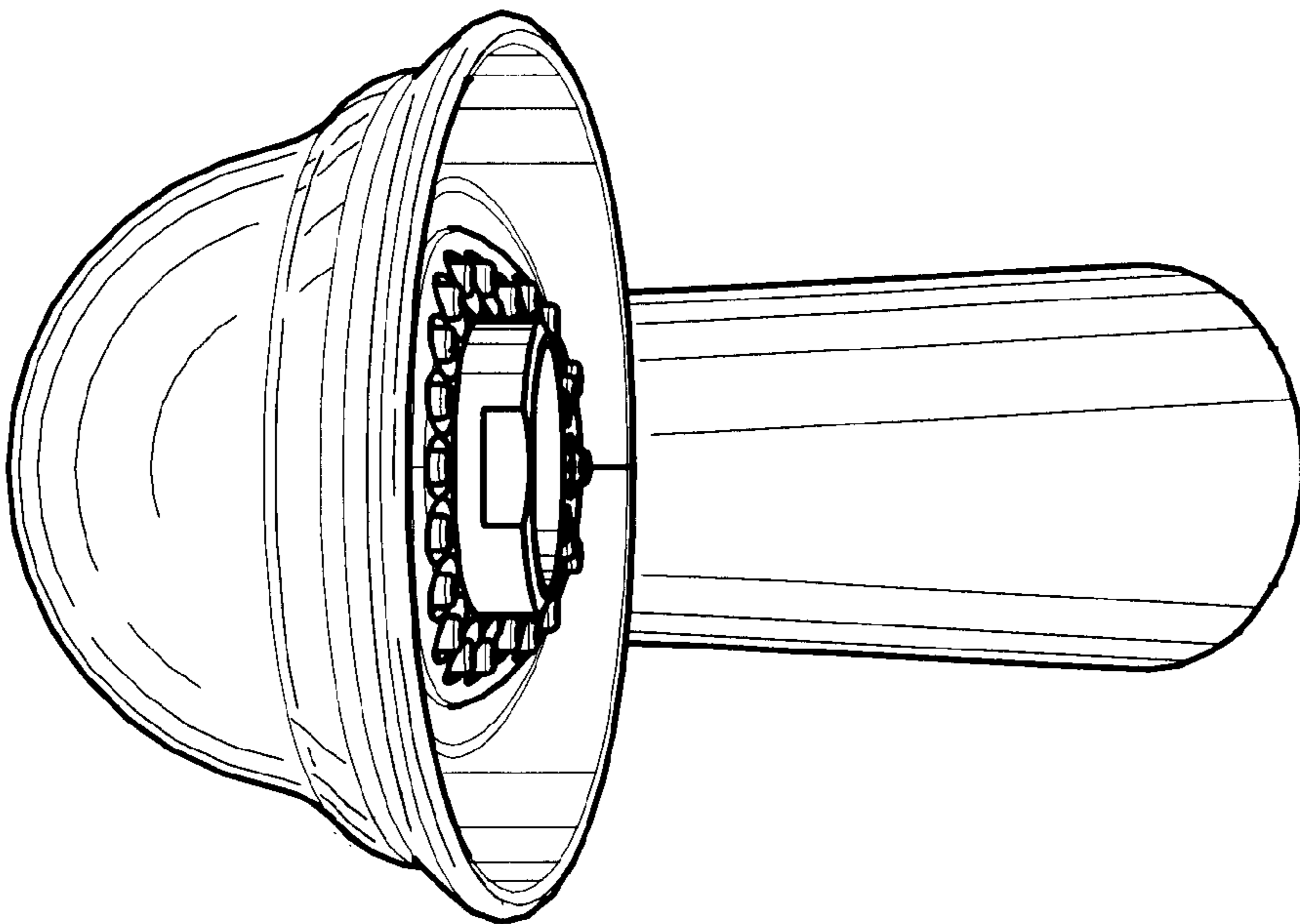
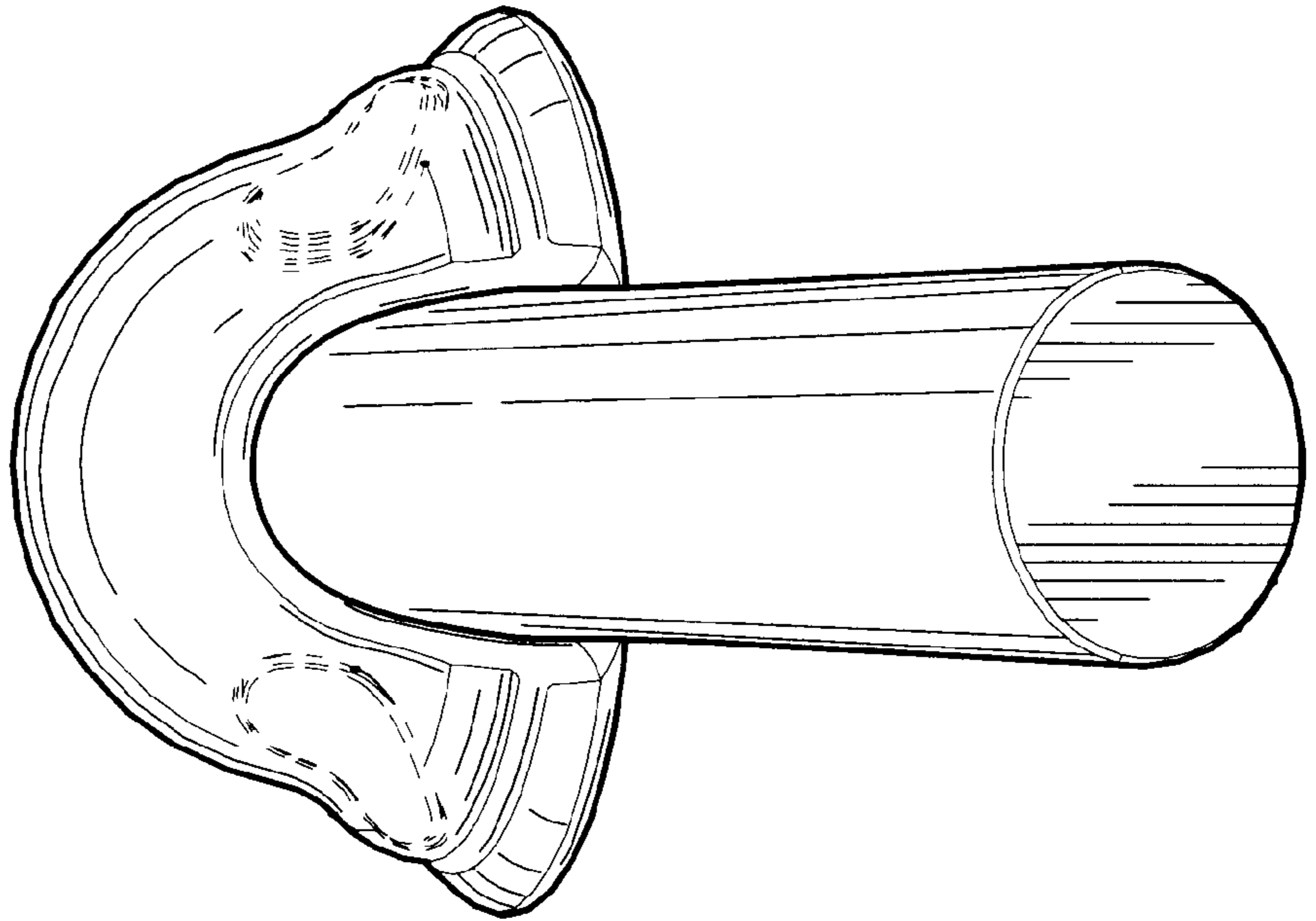


Figure - 6

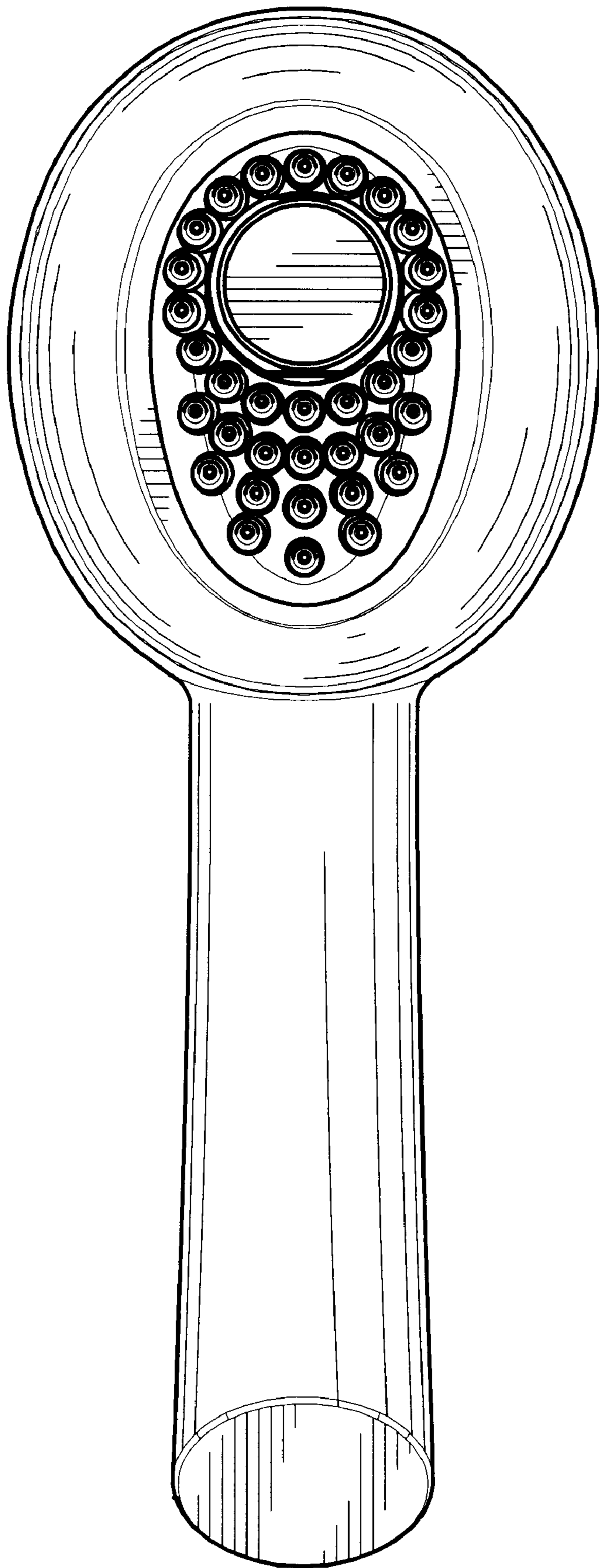


Figure - 8