



US00D481106S

(12) **United States Design Patent**
Pelletz

(10) **Patent No.:** **US D481,106 S**

(45) **Date of Patent:** **** Oct. 21, 2003**

(54) **QUICK OPENING SILLCOCK**

5,577,530 A * 11/1996 Condon 1137/360
D474,262 S * 5/2003 Pelletz D23/245

(76) Inventor: **Leslie G. Pelletz**, 19 Depot St., Suite 6
B, Uxbridge, MA (US) 01569

* cited by examiner

(**) Term: **14 Years**

Primary Examiner—Nelson C. Holtje
(74) *Attorney, Agent, or Firm*—Norton R. Townsley;
Belasco Jacobs & Townsley, LLP

(21) Appl. No.: **29/176,850**

(22) Filed: **Feb. 27, 2003**

(57) **CLAIM**

Related U.S. Application Data

I claim the ornamental design for the quick opening sillcock,
as shown and described.

(62) Division of application No. 29/161,155, filed on May 20,
2002, now Pat. No. Des. 474,262, which is a continuation of
application No. 09/732,314, filed on Dec. 7, 2000, now
abandoned.

DESCRIPTION

(51) **LOC (7) Cl.** **23-01**

(52) **U.S. Cl.** **D23/245**

(58) **Field of Search** D23/233–234,
D23/238, 245, 247–248; 251/288, 315;
137/359–360, 270–271, 801

FIG. 1 is a perspective view of my new quick opening
sillcock;
FIG. 2 is a front view thereof;
FIG. 3 is rear view thereof;
FIG. 4 is a side view thereof from one side;
FIG. 5 is a side view thereof from the other side;
FIG. 6 is a top view thereof; and
FIG. 7 is bottom view thereof.

(56) **References Cited**

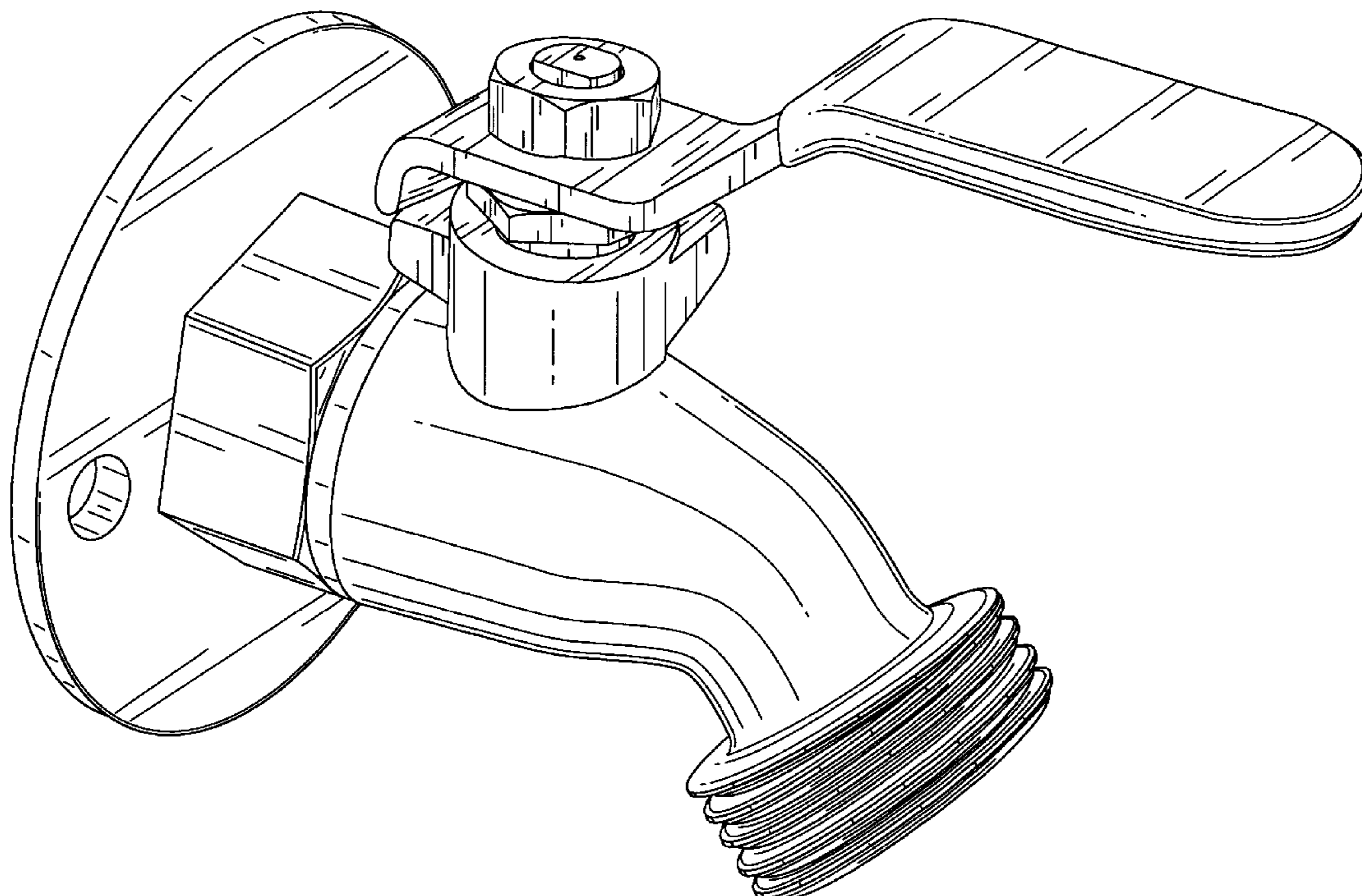
U.S. PATENT DOCUMENTS

706,059 A	8/1902	Houder	251/286 X
859,573 A	7/1907	McMillan	251/286 X
D117,892 S	* 12/1939	Bienimann	D23/238
3,184,212 A	5/1965	Billeter	251/288 X
3,591,137 A	7/1971	Billeter	137/315.19
4,423,749 A	1/1984	Schmitt	137/315.2
4,747,427 A	5/1988	Smith et al.	251/288 X
D318,319 S	7/1991	Rokita	D23/238
5,072,913 A	12/1991	Carroll et al.	251/288 X

FIG. 8 is a rear view of an alternate embodiment of my new
quick opening sillcock;
FIG. 9 is a side view thereof from one side;
FIG. 10 is a side view thereof from the other side;
FIG. 11 is a top view thereof; and,
FIG. 12 is a bottom view thereof.

The perspective view of said alternate embodiment is the
same as FIG. 1 and the front view of said alternate embodi-
ment is the same as FIG. 2.

1 Claim, 10 Drawing Sheets



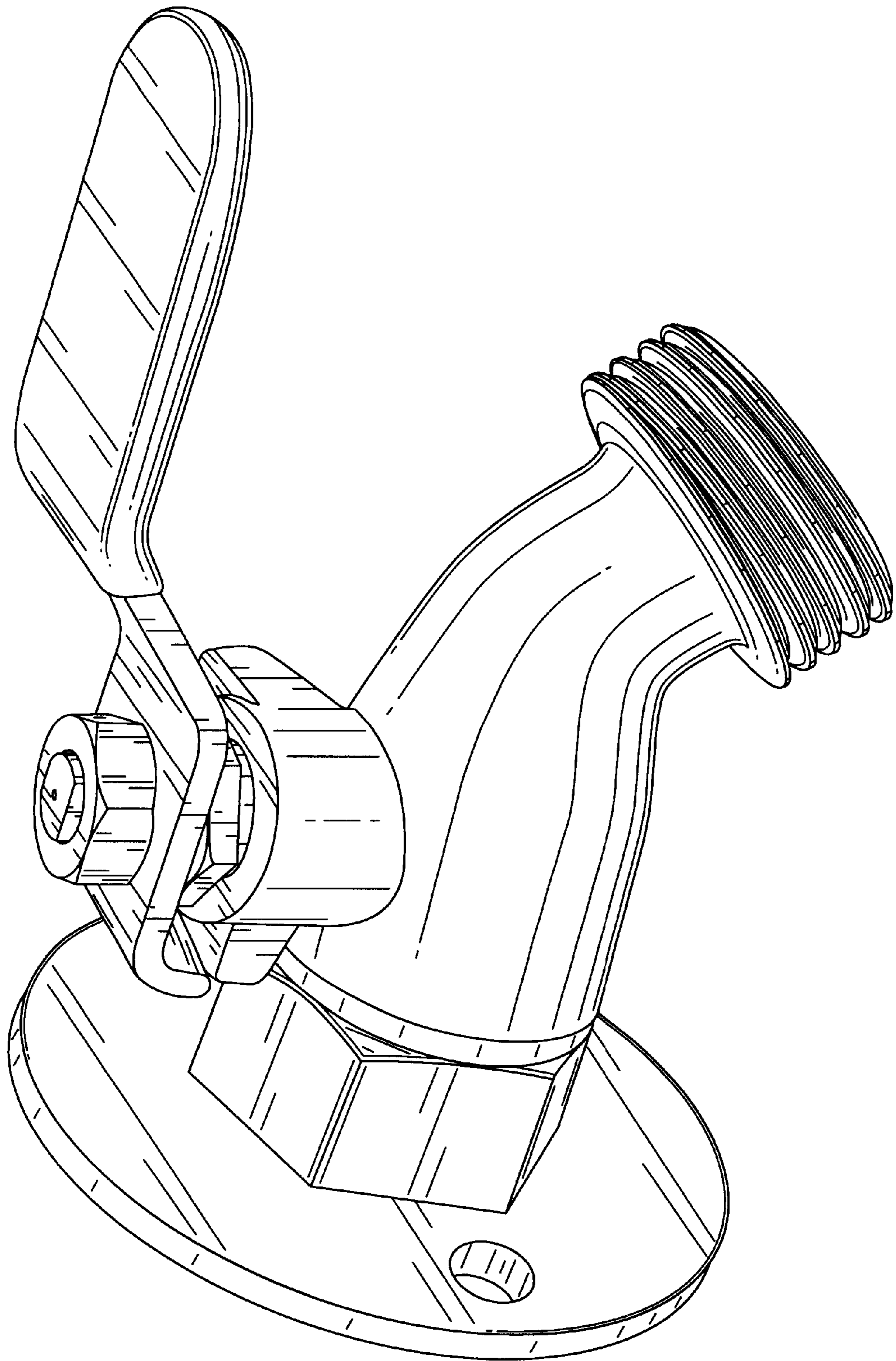


FIG. 1

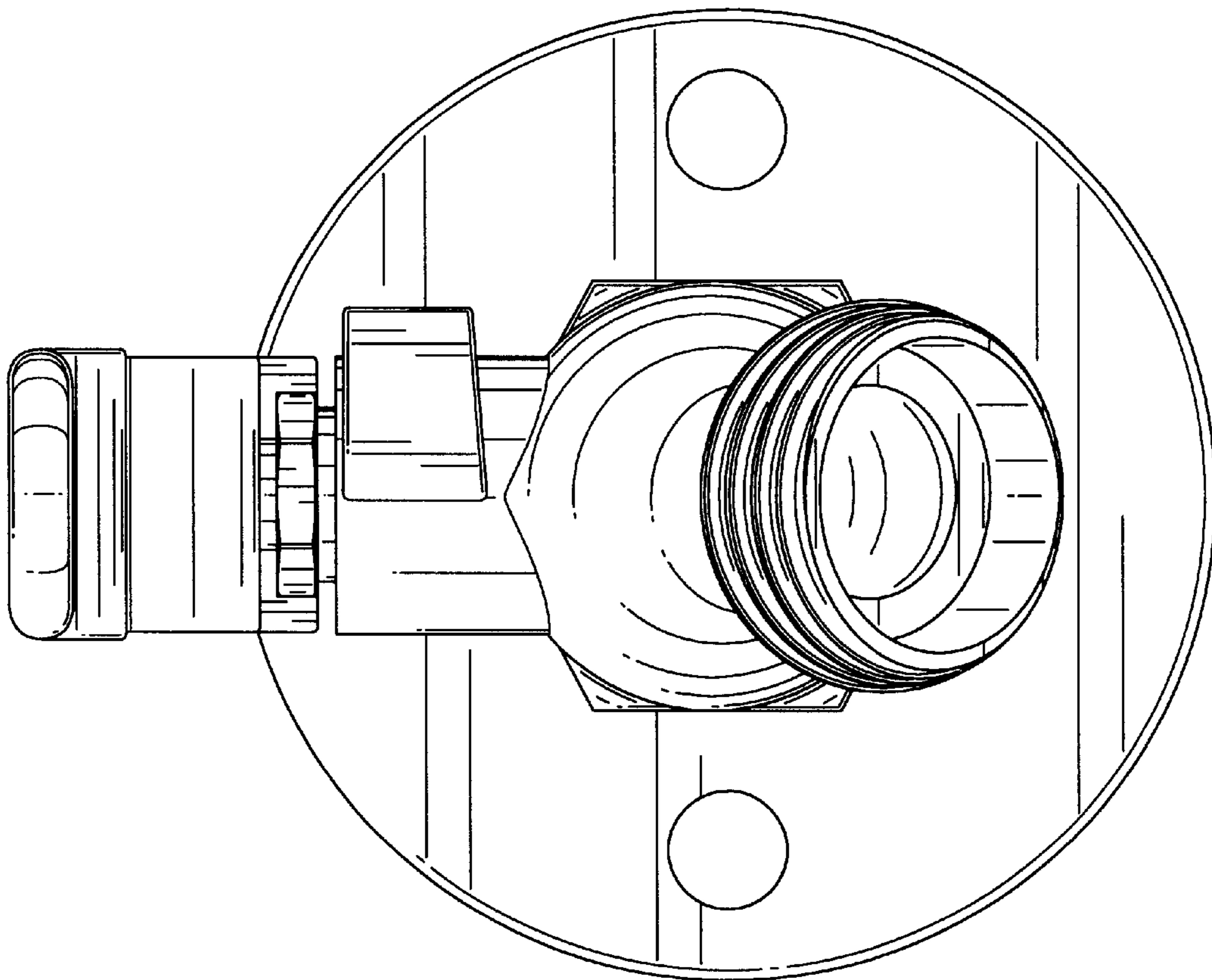


FIG. 2

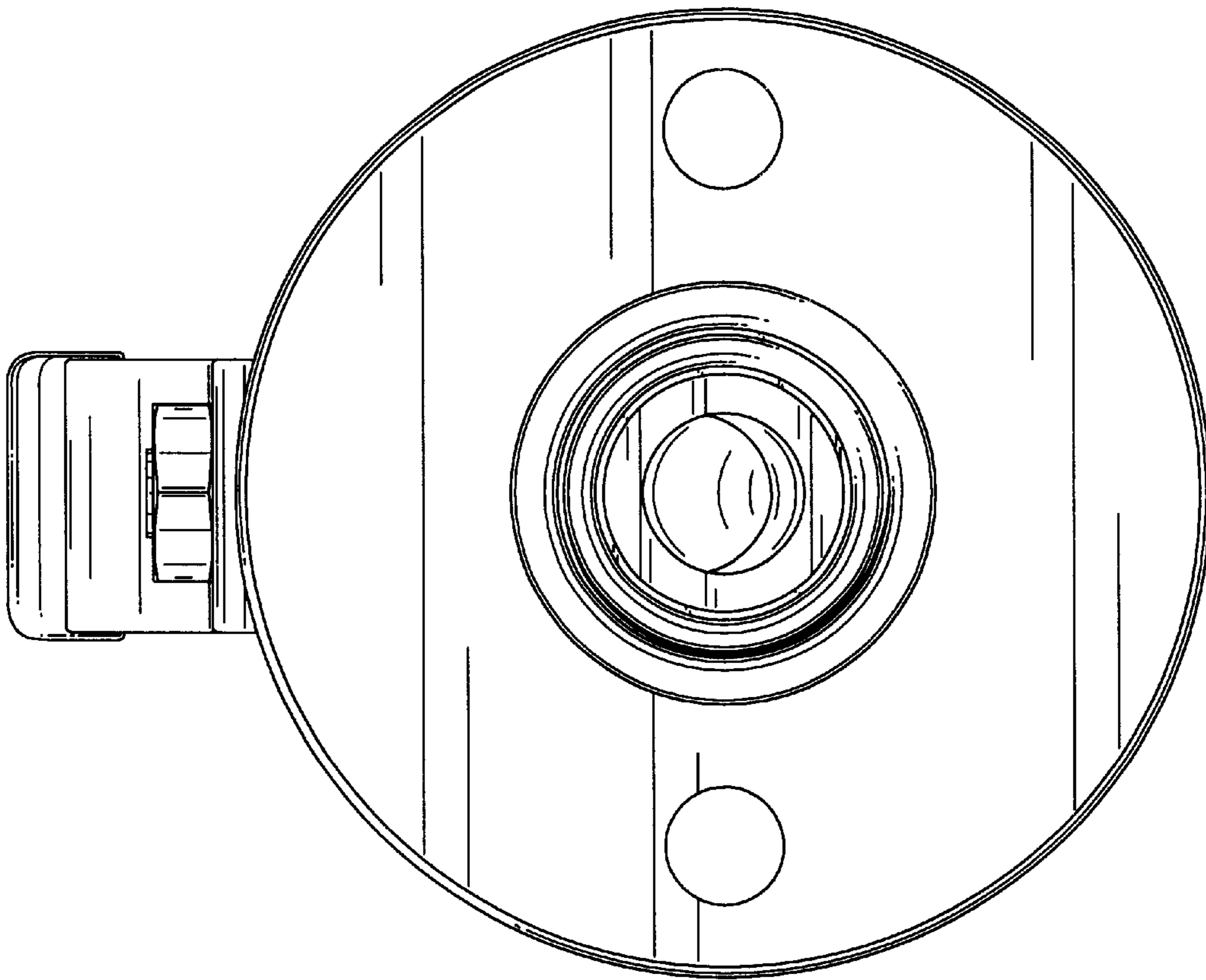


FIG. 3

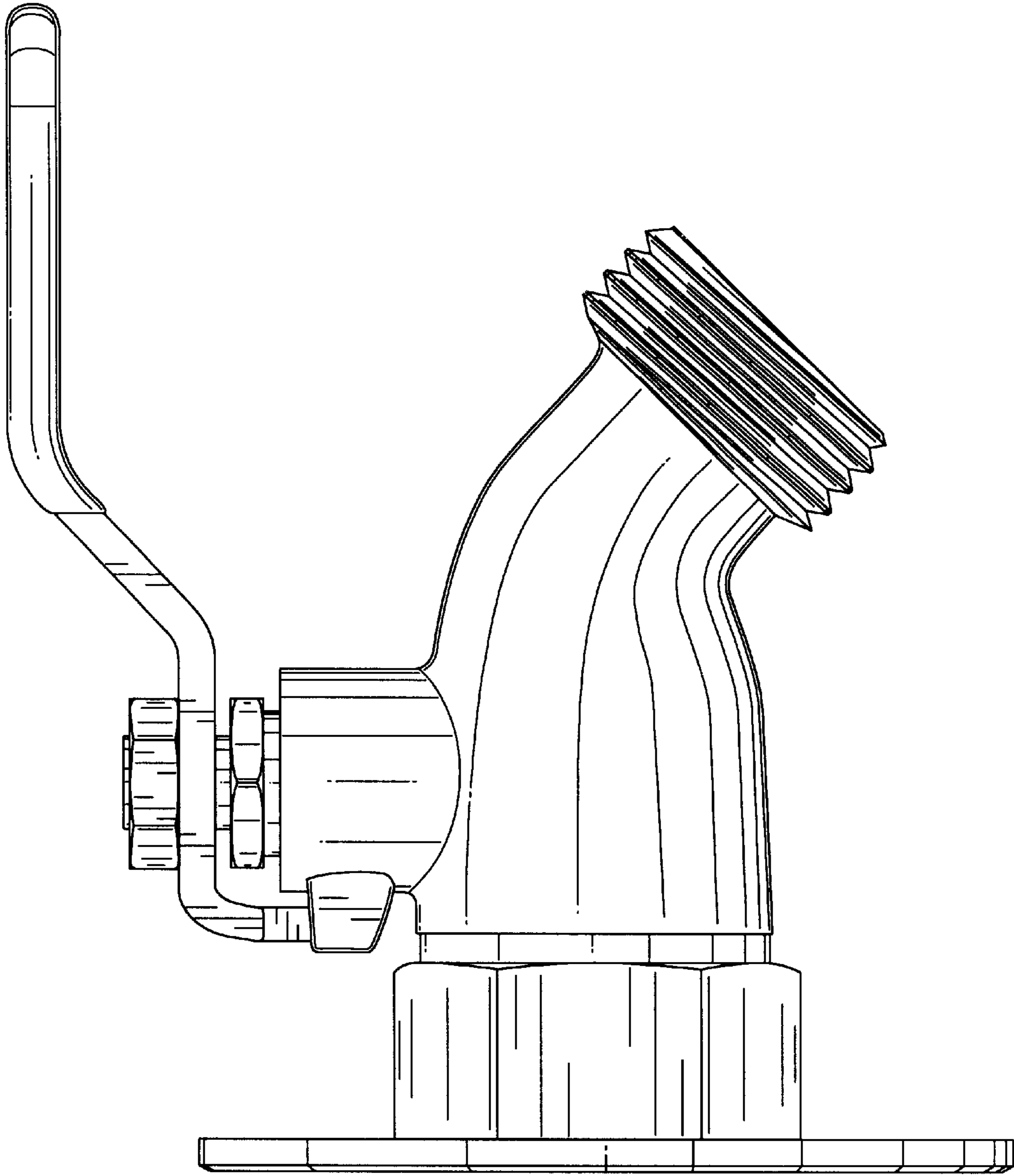


FIG. 4

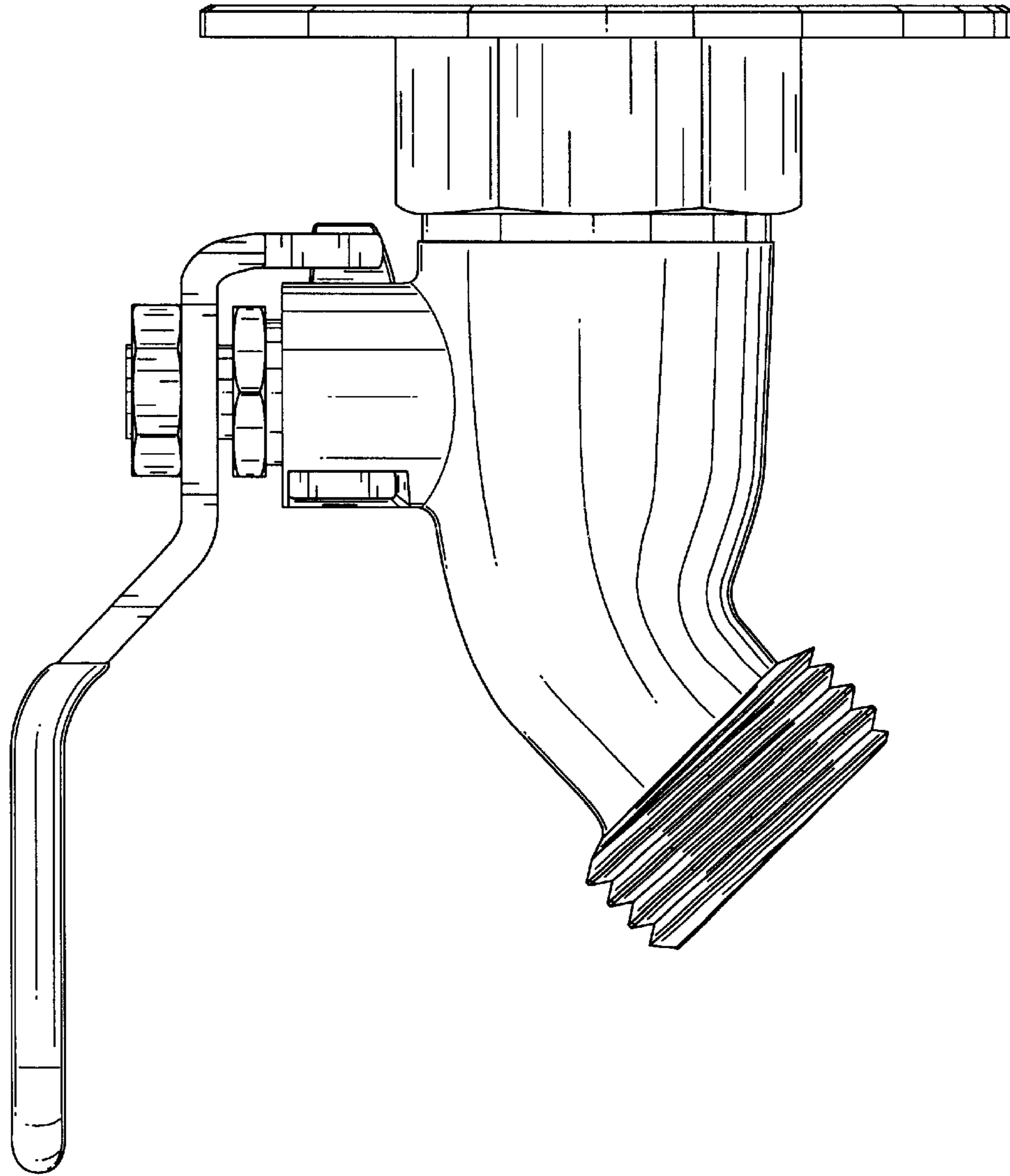


FIG. 5

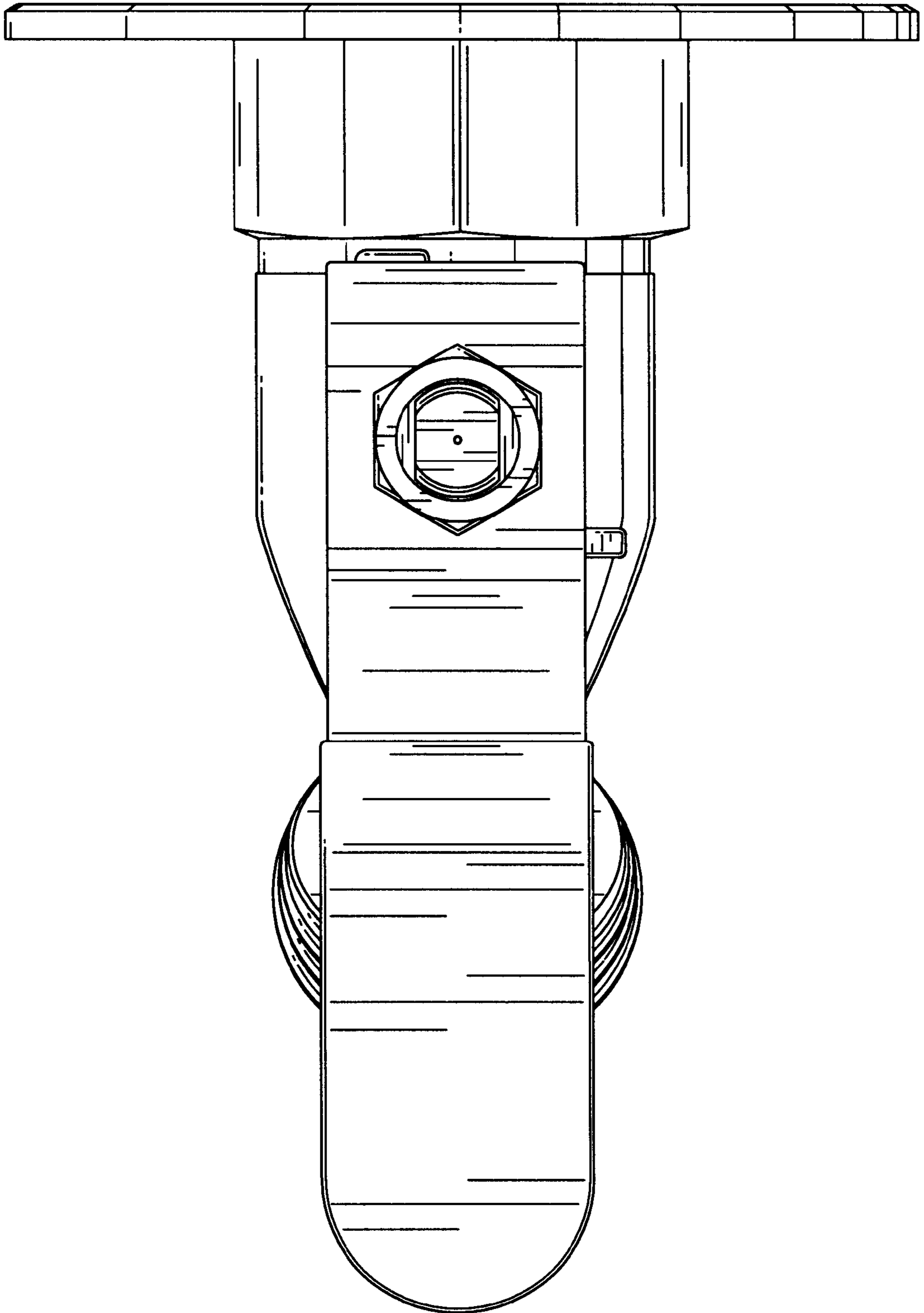


FIG. 6

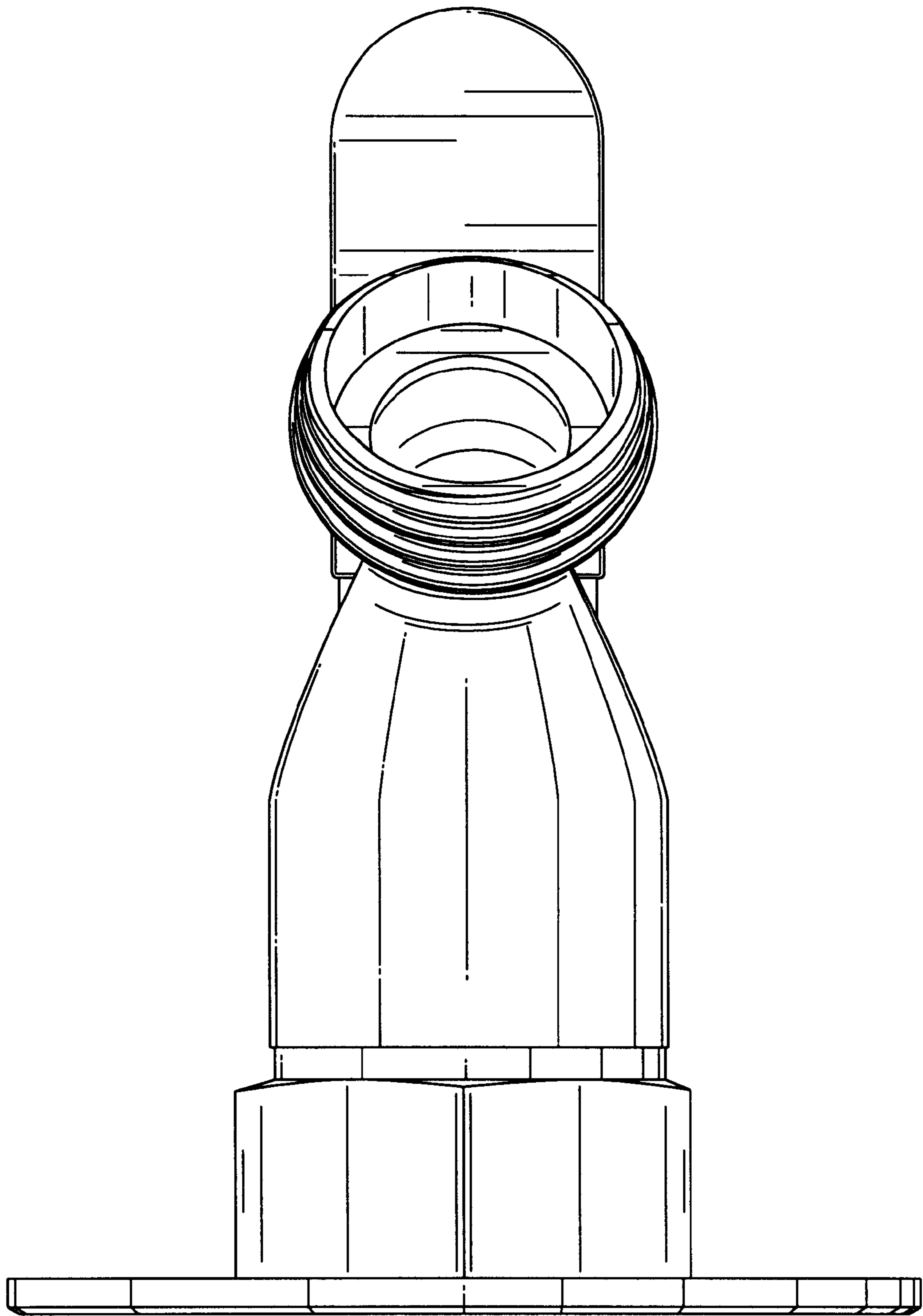


FIG. 7

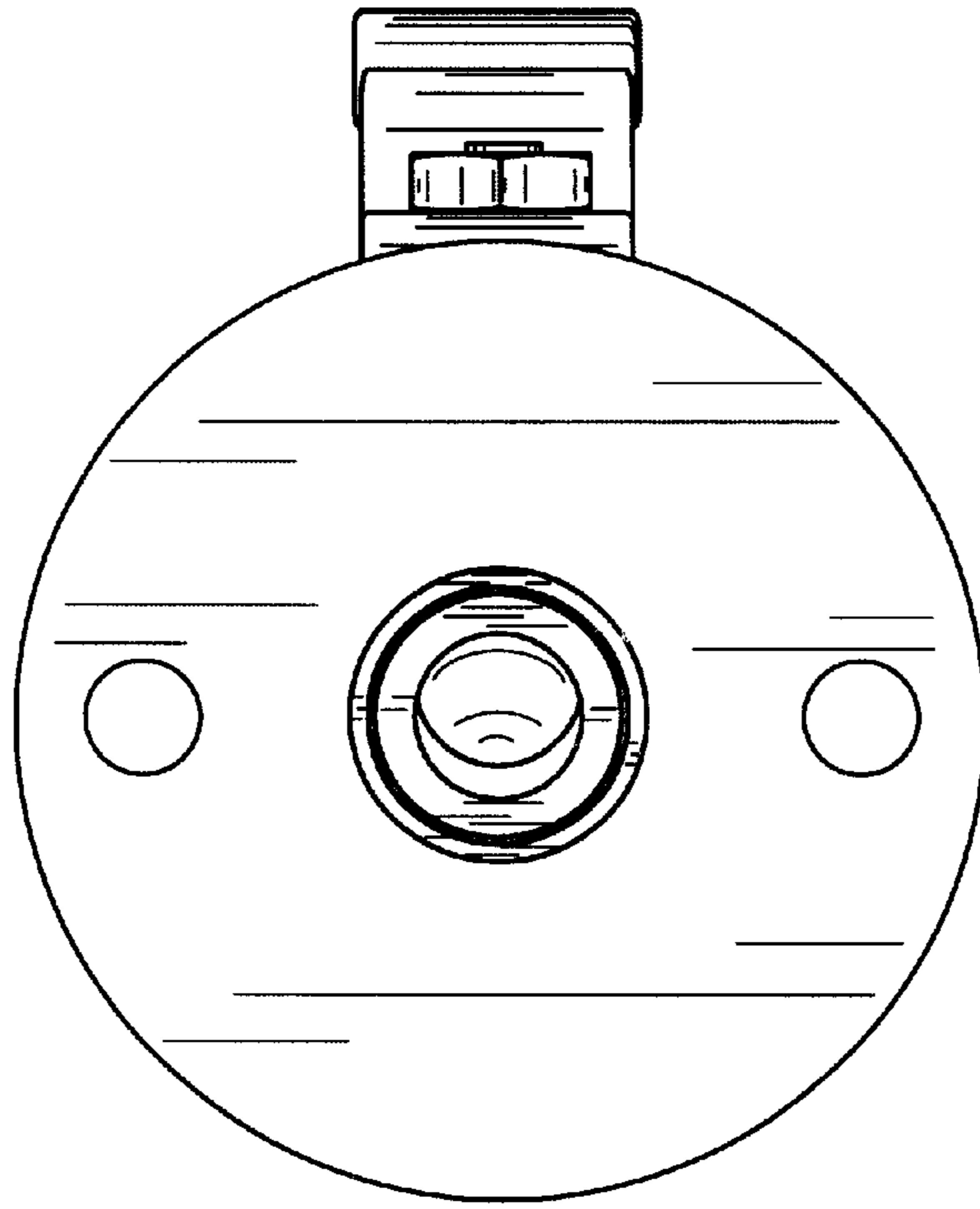


FIG. 8

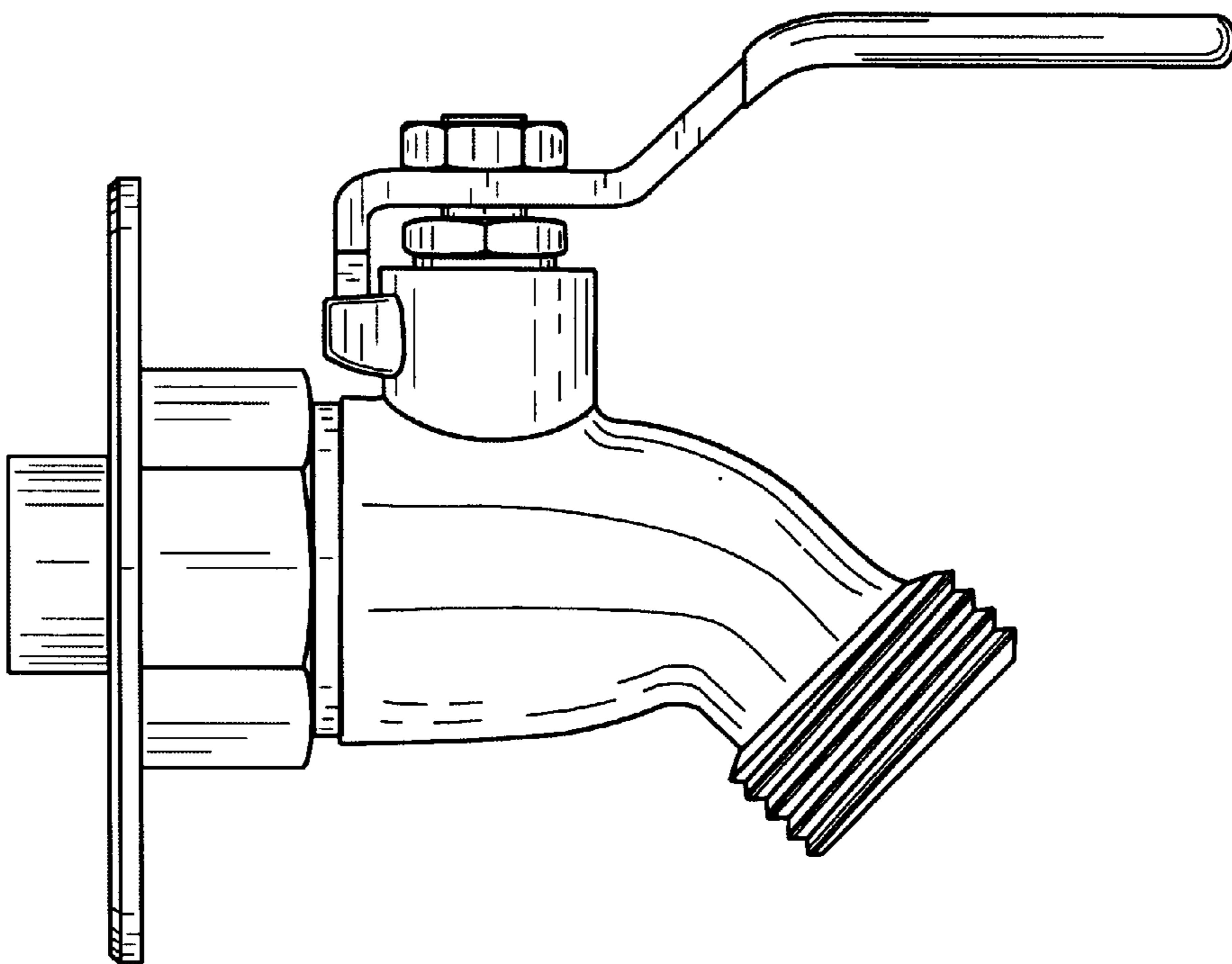


FIG. 9

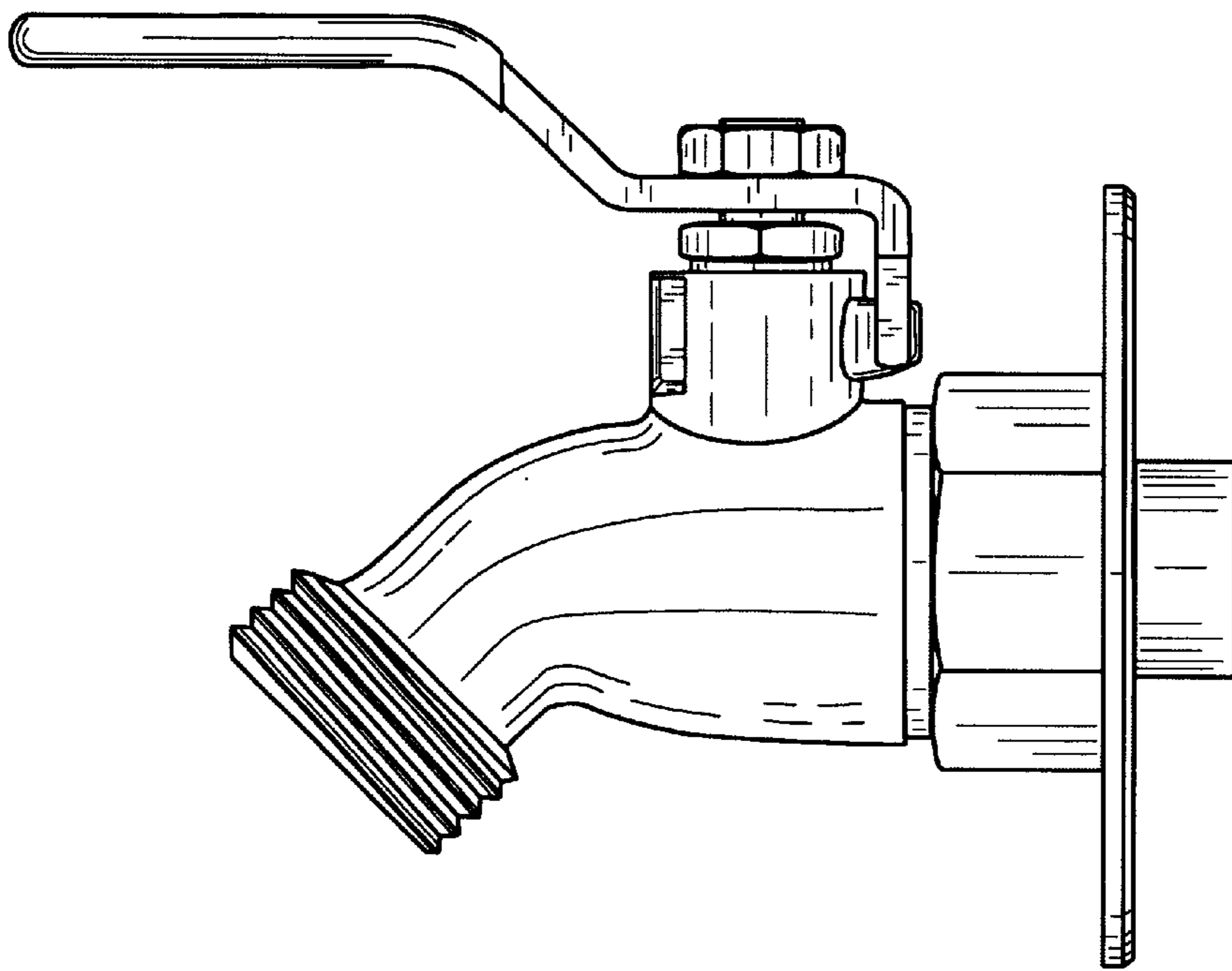


FIG. 10

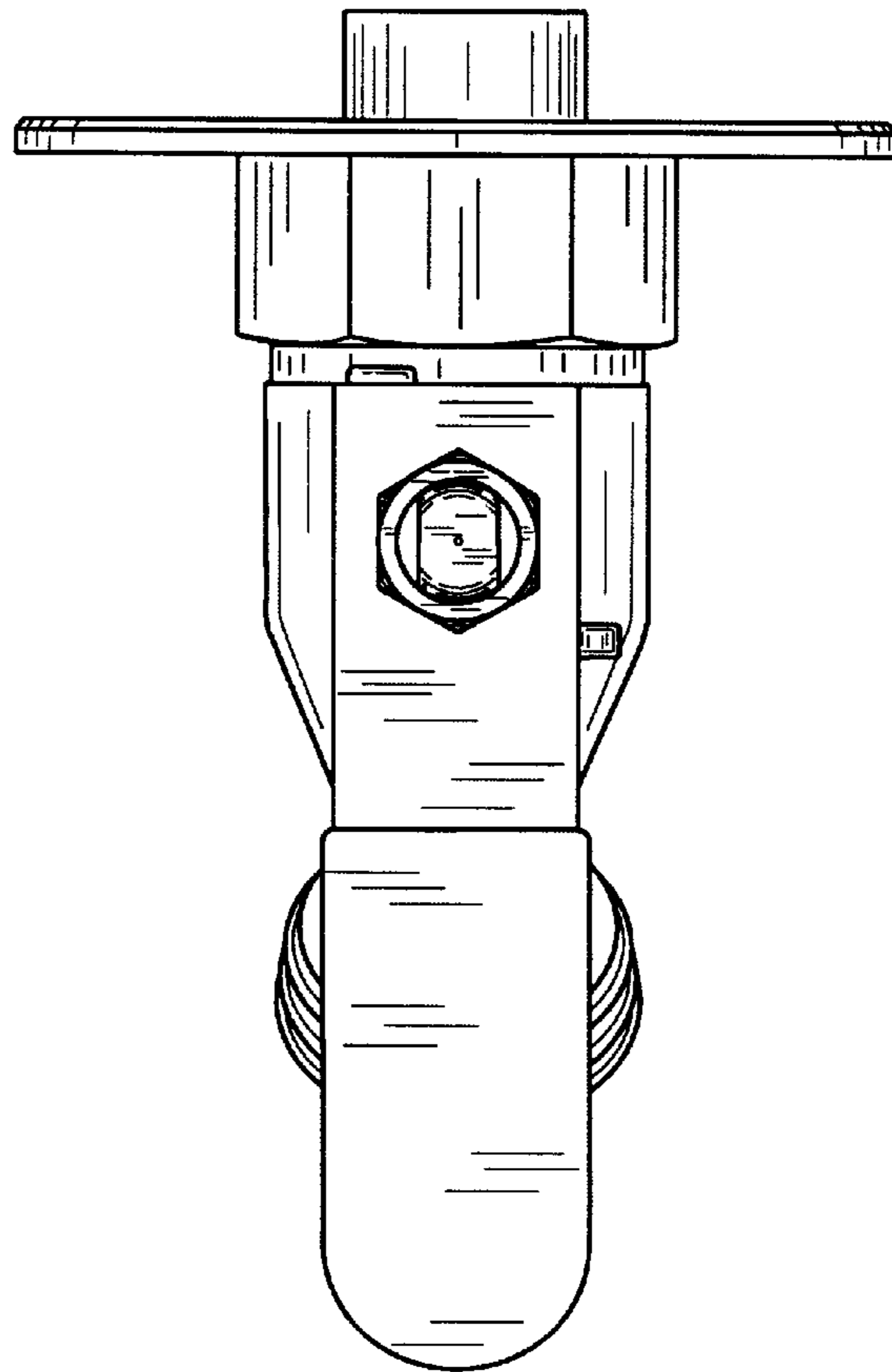


FIG. 11

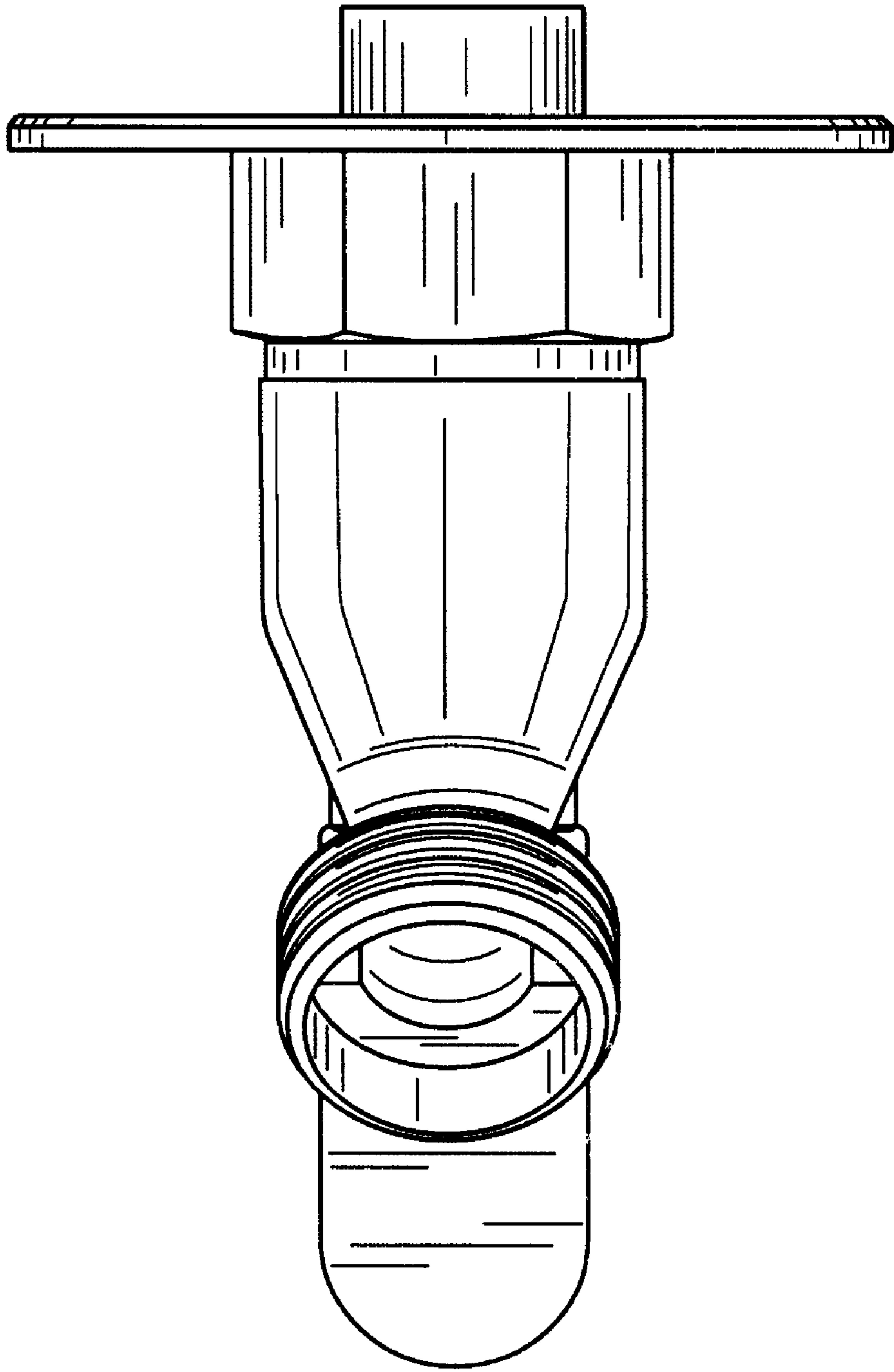


FIG. 12