



US00D481105S

(12) **United States Design Patent**
Wettstein et al.

(10) **Patent No.:** **US D481,105 S**

(45) **Date of Patent:** **** Oct. 21, 2003**

(54) **FAUCET**

(75) Inventors: **Hannes Wettstein, Zurich (CH);
Ferdinand Hochstrasser, Auenstein
(CH)**

(73) Assignee: **KWC AG, Unterkulm (CH)**

(**) Term: **14 Years**

(21) Appl. No.: **29/172,596**

(22) Filed: **Dec. 16, 2002**

Related U.S. Application Data

(62) Division of application No. 29/142,937, filed on Jun. 6, 2001, now Pat. No. Des. 473,630.

(30) **Foreign Application Priority Data**

Dec. 6, 2000 (CH) DMA/005 120

(51) **LOC (7) Cl.** **23-01**

(52) **U.S. Cl.** **D23/238**

(58) **Field of Search** D23/238-243,
D23/250-257; 4/675-678; 137/801, 625.17

(56) **References Cited**

U.S. PATENT DOCUMENTS

3,202,181 A * 8/1965 West 137/625.17

D315,397 S * 3/1991 Knapp D23/238
D392,025 S * 3/1998 Doughty et al. D23/238
D461,874 S * 8/2002 Gottwald D23/238
D473,630 S * 4/2003 Wettstein D23/238

* cited by examiner

Primary Examiner—Louis S. Zarfaz

Assistant Examiner—Gregory Andoll

(74) *Attorney, Agent, or Firm*—Oblon, Spivak, McClland,
Maier & Neustadt, P.C.

(57) **CLAIM**

The ornamental design for a faucet, as shown and described.

DESCRIPTION

FIG. 1 is a top and left front perspective view of an embodiment of a faucet, showing our design;

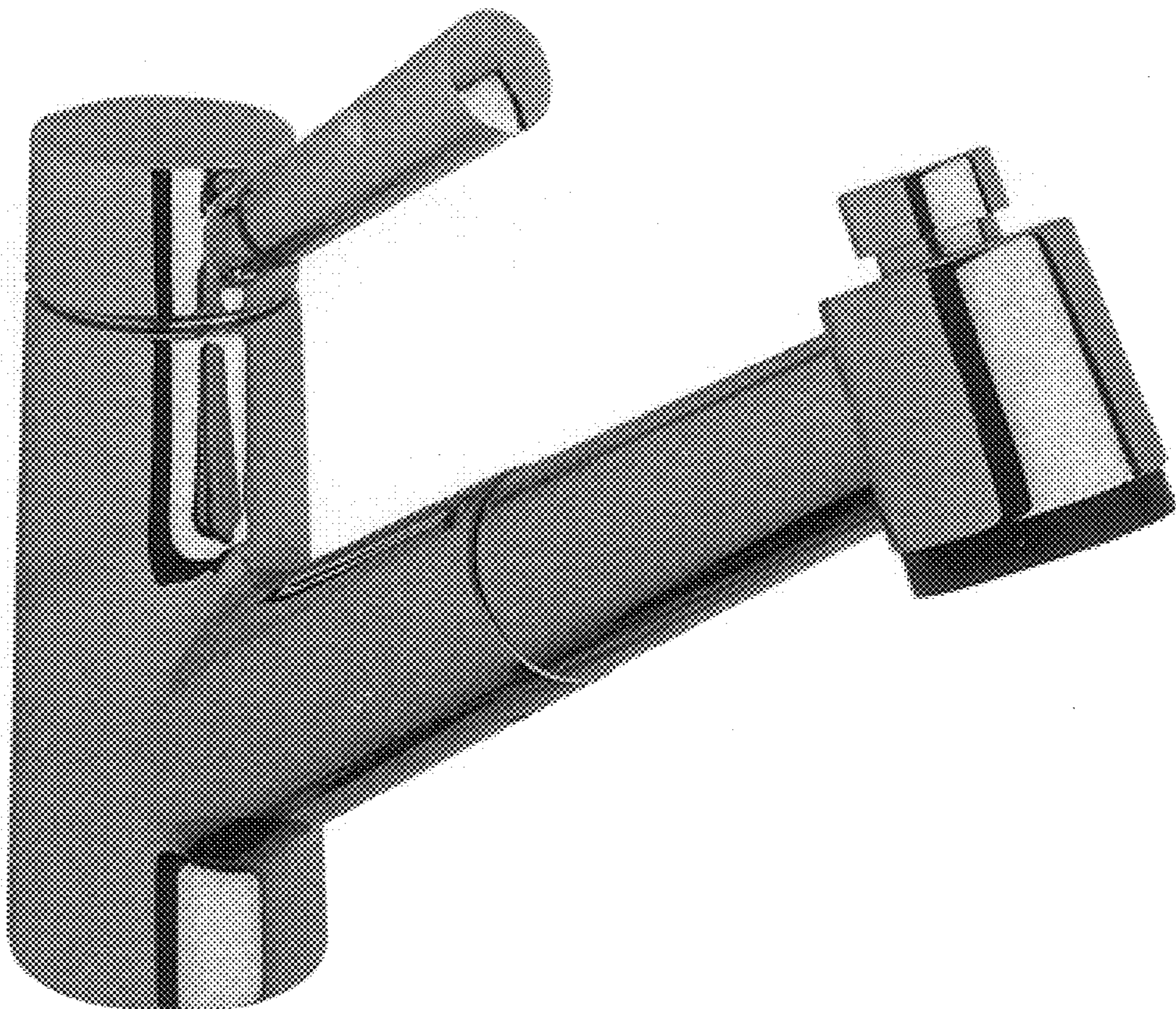
FIG. 2 is a left front perspective view thereof;

FIG. 3 is a left side elevational view of an alternative configuration of the embodiment;

FIG. 4 is a top and left front perspective view of a further alternative position of the embodiment; and,

FIG. 5 is a top and right rear perspective view of the embodiment.

1 Claim, 3 Drawing Sheets



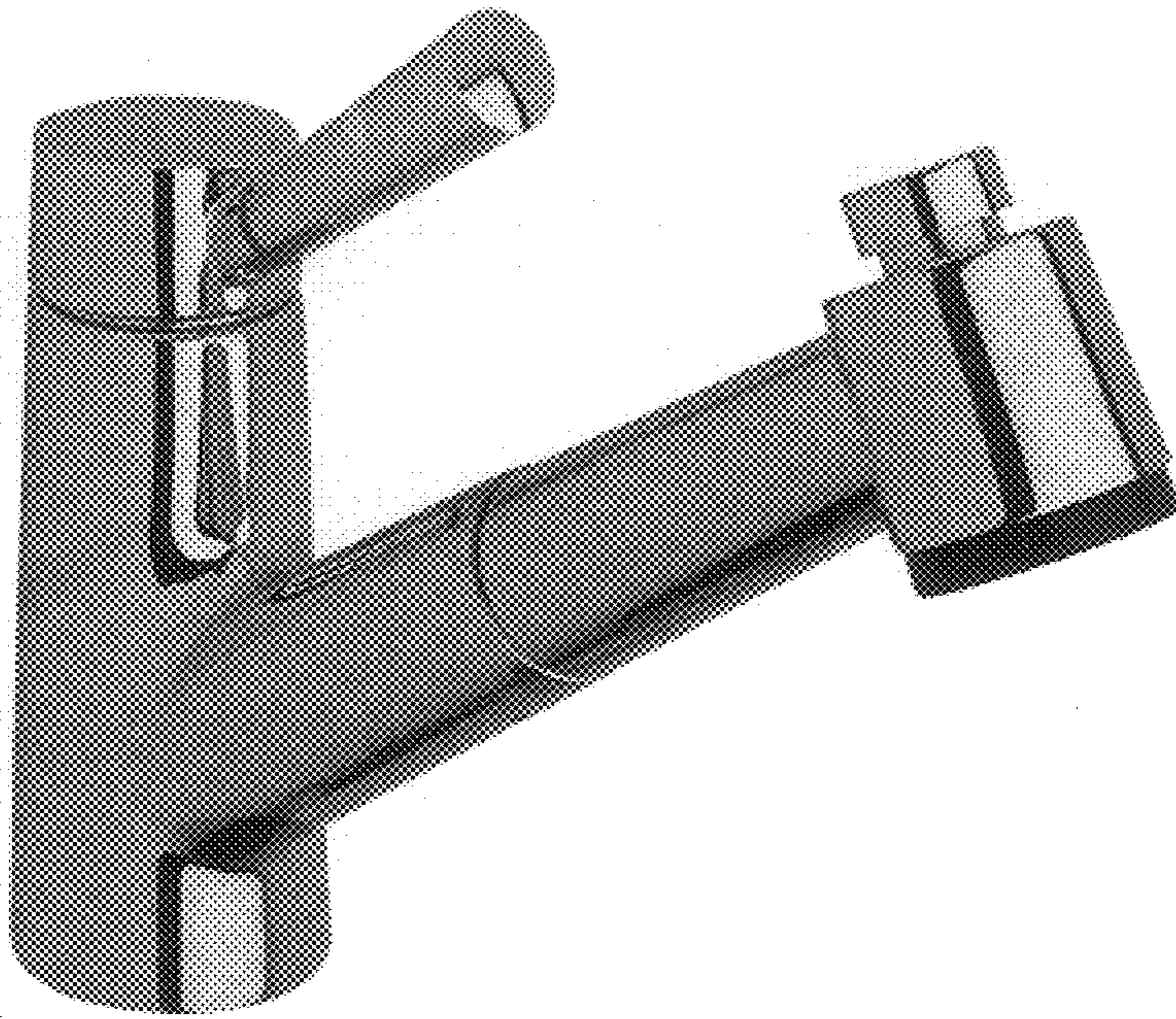


FIG. 1

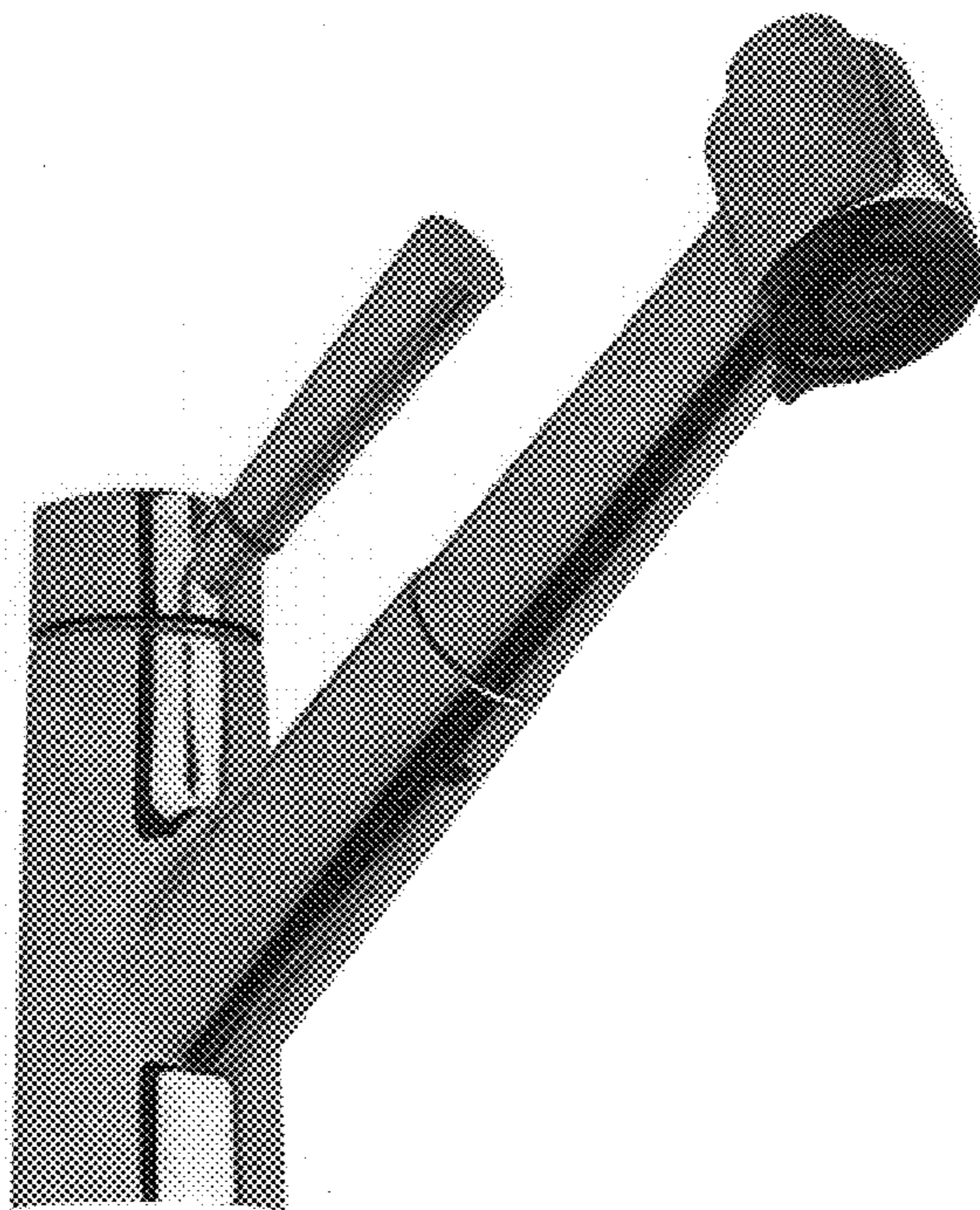


FIG. 2

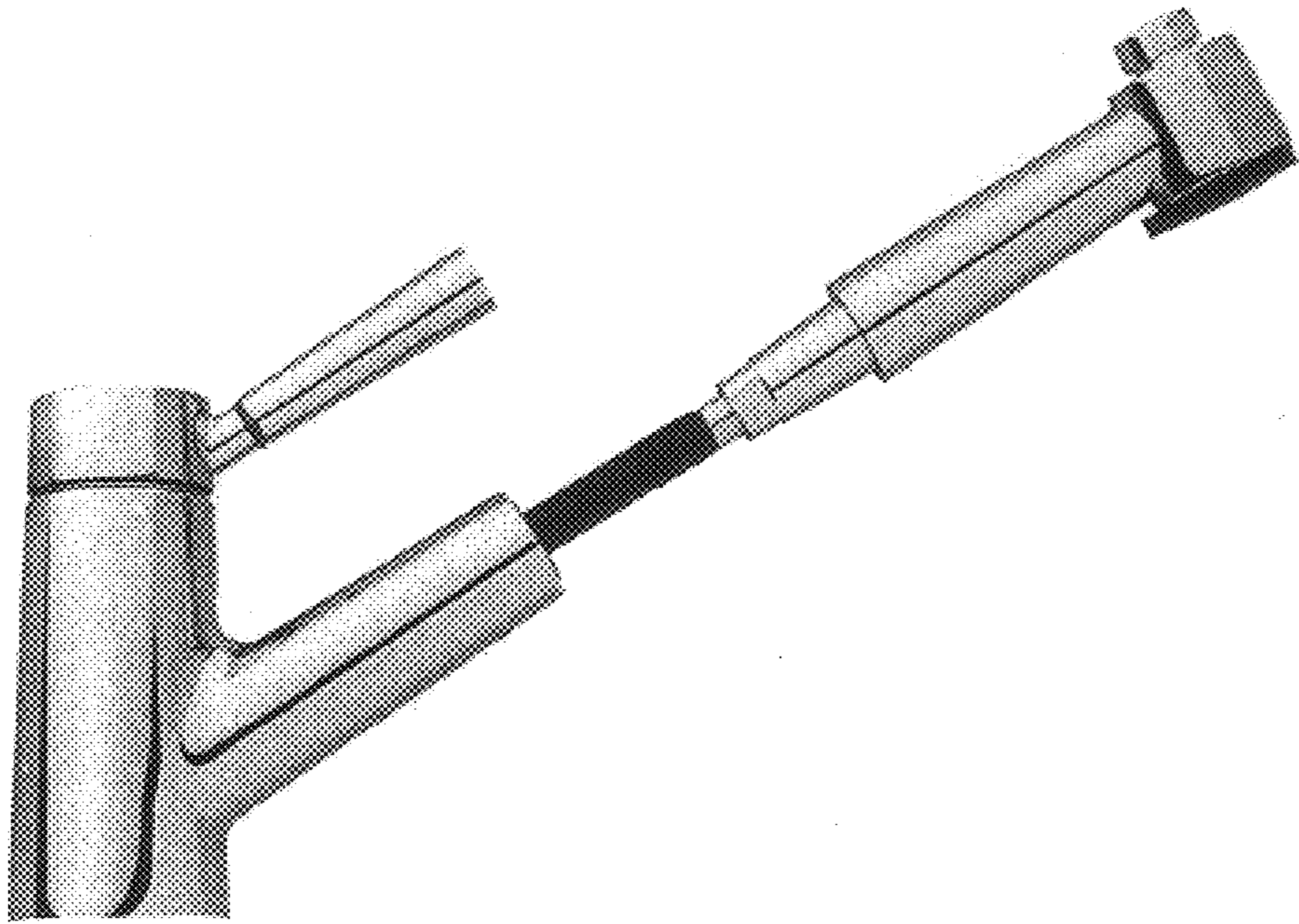


FIG. 3

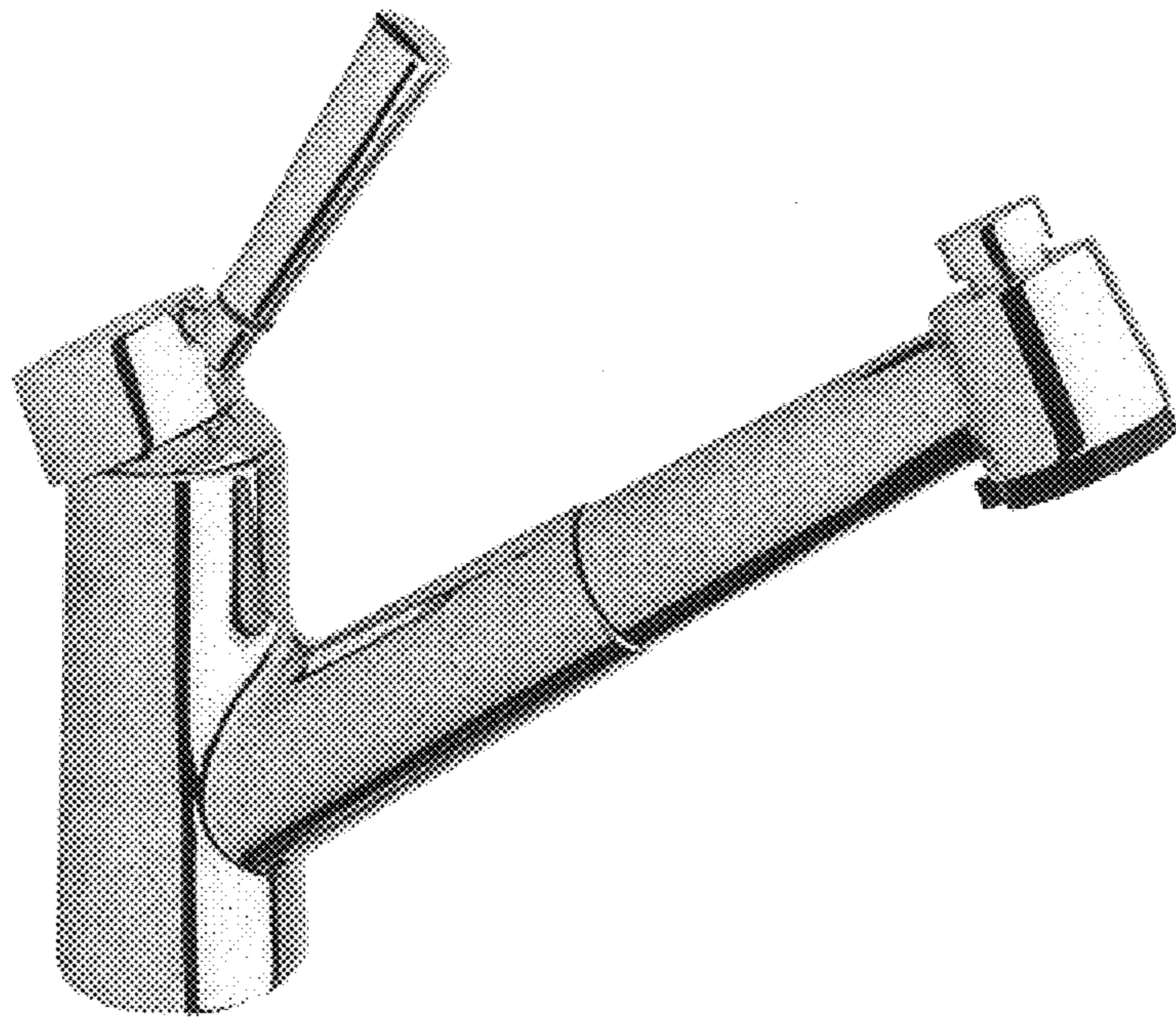


FIG. 4

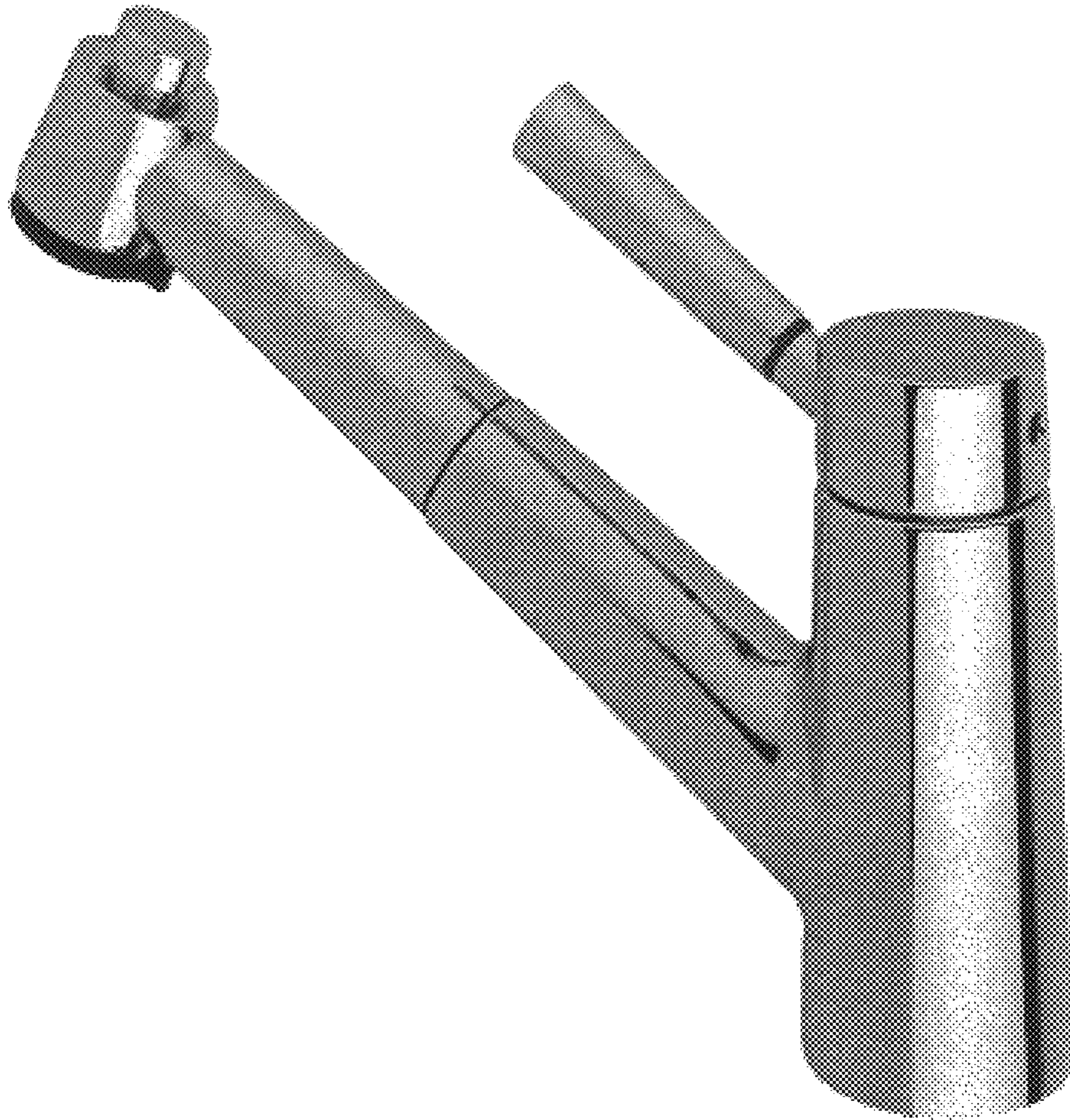


FIG. 5