



US00D481104S

(12) **United States Design Patent**
Wettstein et al.

(10) **Patent No.:** **US D481,104 S**

(45) **Date of Patent:** **** Oct. 21, 2003**

(54) **FAUCET**

(75) Inventors: **Hannes Wettstein, Zurich (CH);
Ferdinand Hochstrasser, Auenstein
(CH)**

(73) Assignee: **KWC AG, Unterkulm (CH)**

(**) Term: **14 Years**

(21) Appl. No.: **29/172,573**

(22) Filed: **Dec. 16, 2002**

Related U.S. Application Data

(62) Division of application No. 29/142,937, filed on Jun. 6, 2001, now Pat. No. Des. 473,630.

(30) **Foreign Application Priority Data**

Dec. 6, 2000 (WO) DMA/0051 120

(51) **LOC (7) Cl.** **23-01**

(52) **U.S. Cl.** **D23/238**

(58) **Field of Search** D23/238-243,
D23/250-257; 4/675-678; 137/801, 359;
251/172

(56) **References Cited**

U.S. PATENT DOCUMENTS

2,818,878 A * 1/1958 Russell 137/359

3,009,679 A * 11/1961 Williams 215/172
D207,985 S * 6/1967 Maguire D23/238
D367,918 S * 3/1996 Haug et al. D23/238
D421,292 S * 2/2000 Lord D23/243
D473,630 S * 4/2003 Wettstein et al. D23/238

* cited by examiner

Primary Examiner—Louis S. Zarfes

Assistant Examiner—Gregory Andoll

(74) *Attorney, Agent, or Firm*—Oblon, Spivak, McClelland,
Maier & Neustadt, P.C.

(57) **CLAIM**

The ornamental design for a faucet, as shown and described.

DESCRIPTION

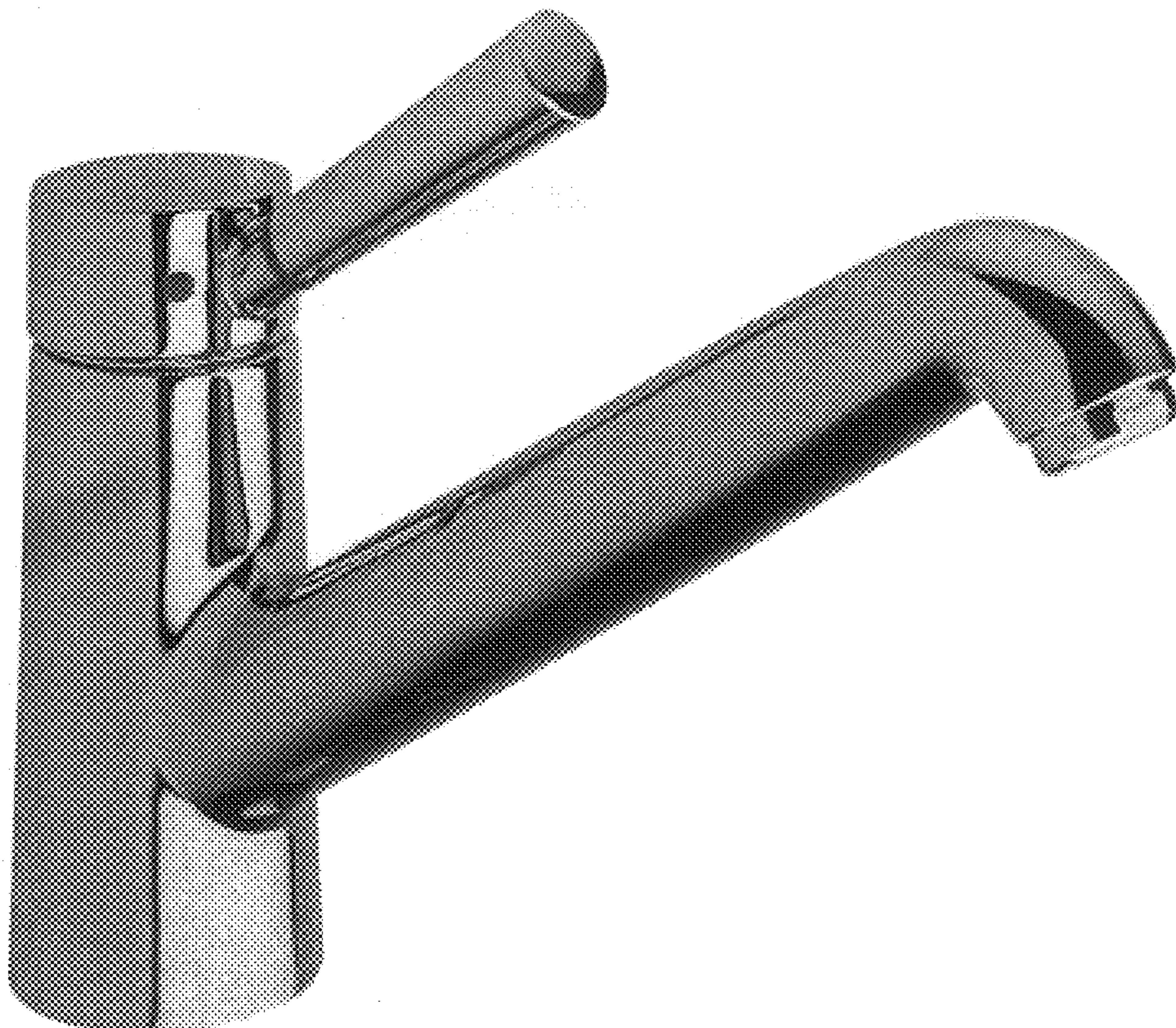
FIG. 1 is a top and left front perspective view of an embodiment of a faucet, showing our design;

FIG. 2 is a left front perspective view thereof;

FIG. 3 is a top and right rear perspective view thereof; and,

FIG. 4 is a top and left front perspective view thereof shown when in use.

1 Claim, 2 Drawing Sheets



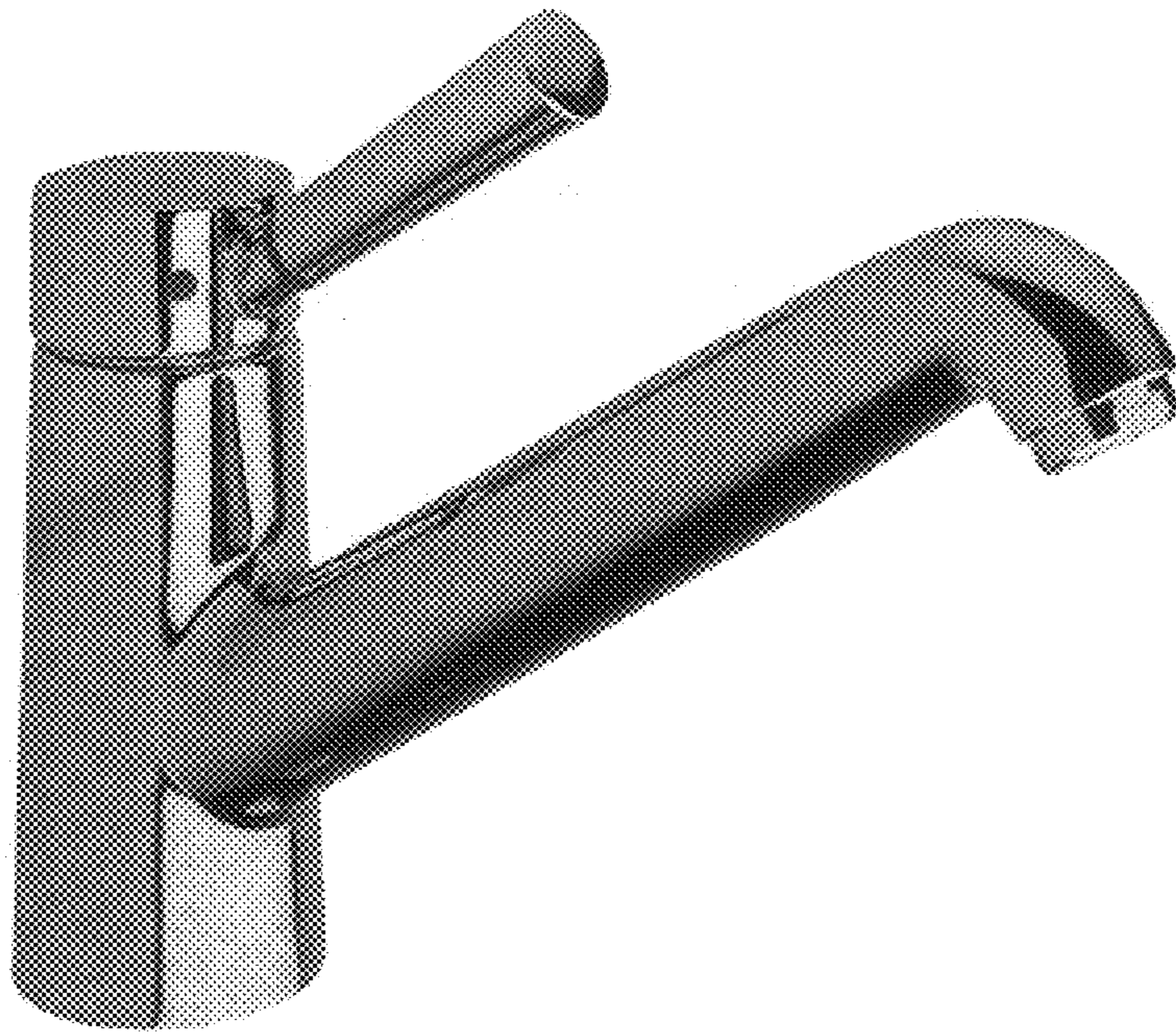


FIG. 1

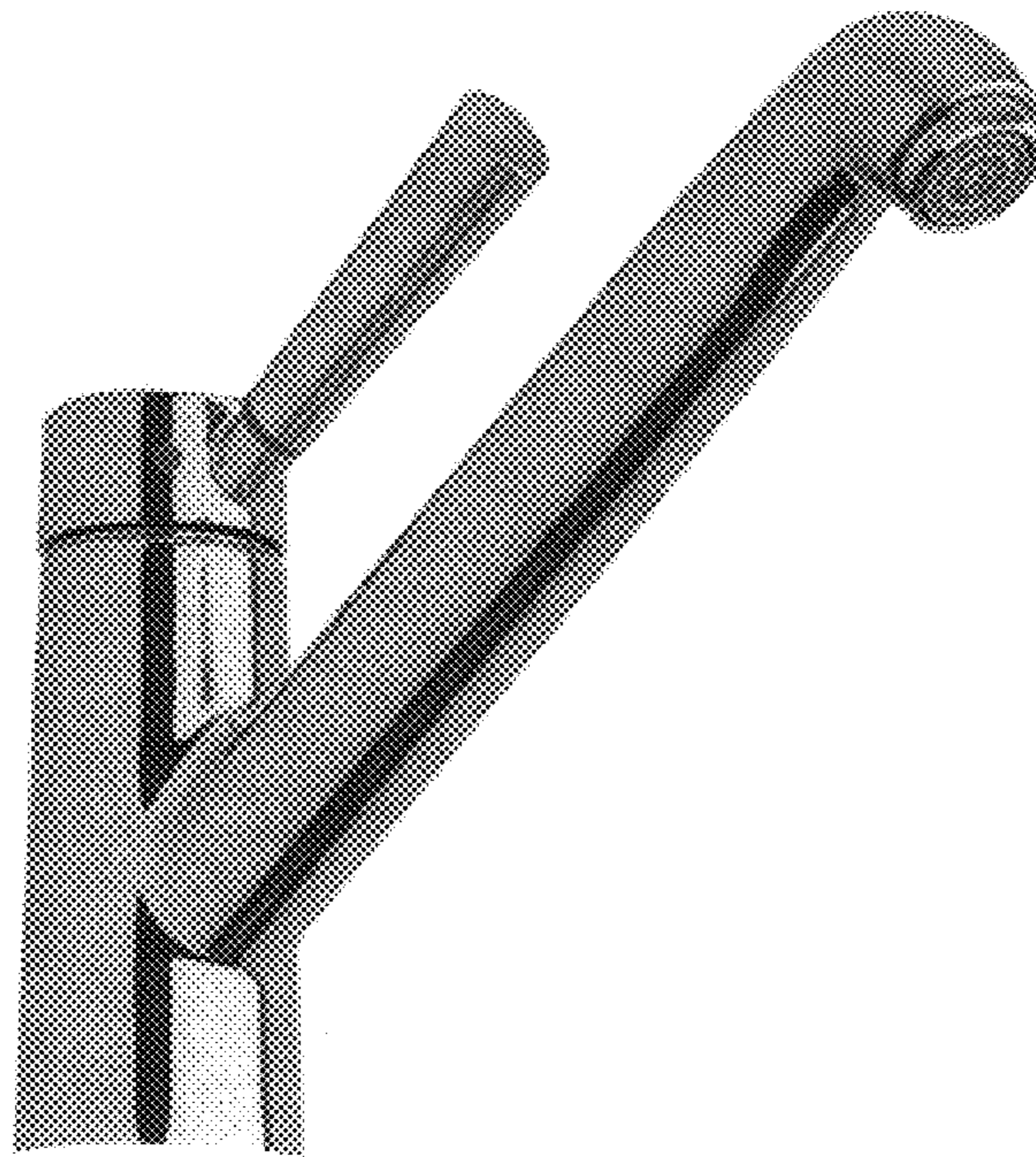


FIG. 2

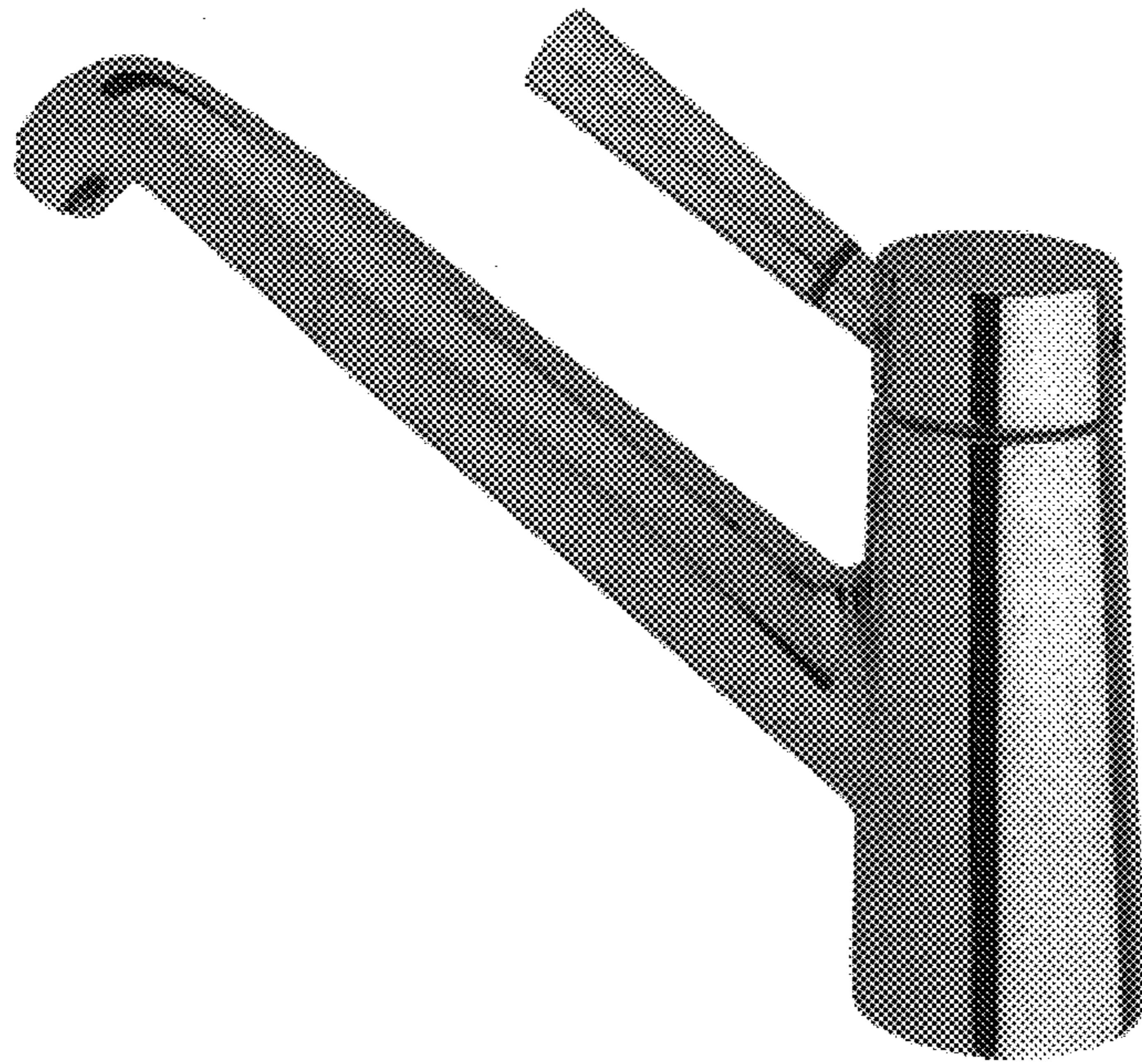


FIG. 3

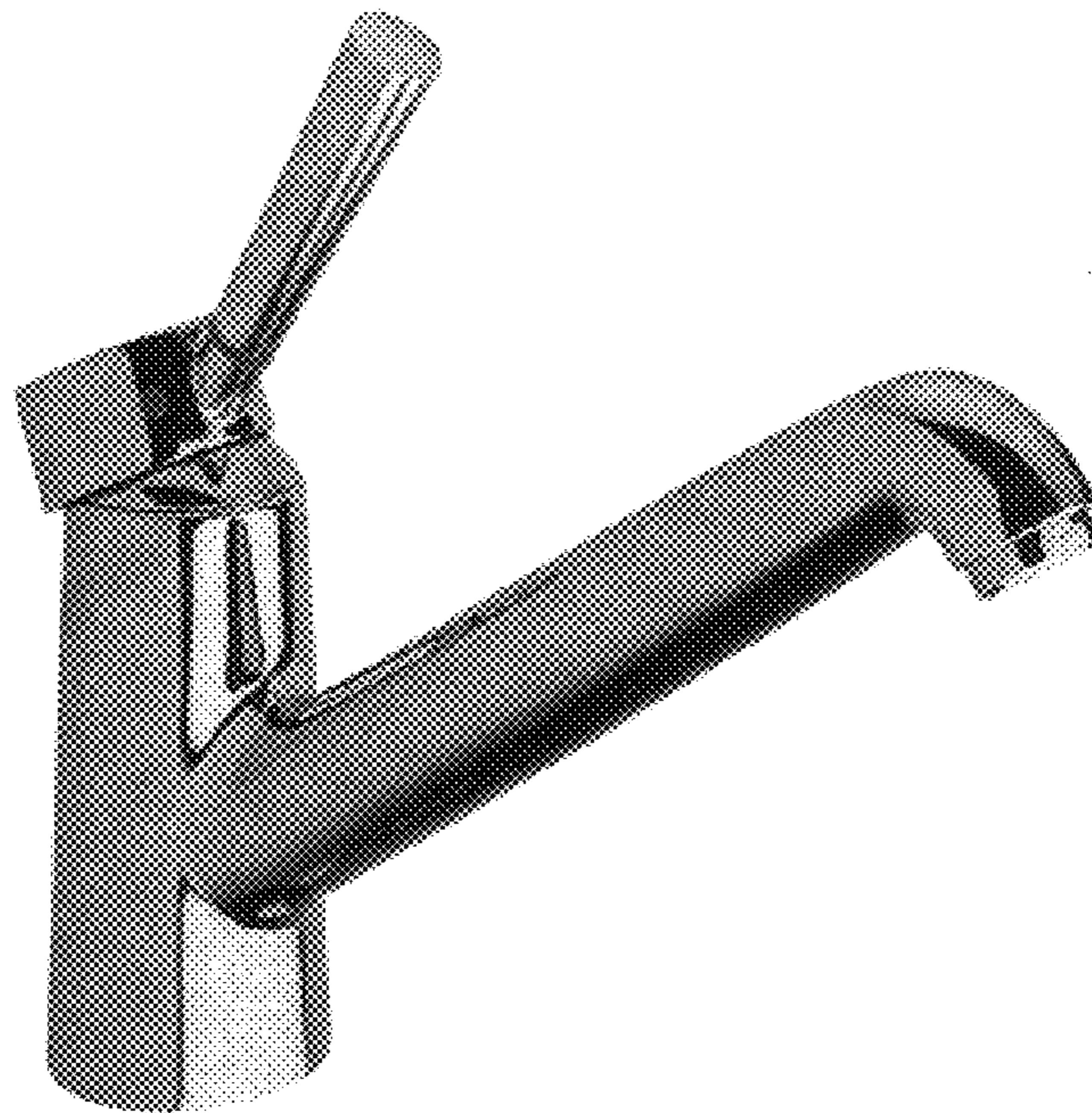


FIG. 4