



US00D481101S

(12) **United States Design Patent** (10) **Patent No.:** **US D481,101 S**  
**Boehrs et al.** (45) **Date of Patent:** **\*\* Oct. 21, 2003**

(54) **FILTER ELEMENT**

(74) *Attorney, Agent, or Firm*—Merchant & Gould, P.C.

(75) Inventors: **Bruce Allen Boehrs**, Minneapolis, MN (US); **Randy Clayton Bourget**, Shakopee, MN (US)

(57) **CLAIM**

The ornamental design for filter element, as shown and described.

(73) Assignee: **Donaldson Company, Inc.**, Minneapolis, MN (US)

**DESCRIPTION**

(\*\*) Term: **14 Years**

FIG. 1 is a perspective view of a first embodiment of a filter element incorporating our new design;

(21) Appl. No.: **29/170,574**

FIG. 2 is a top plan view of the filter element of FIG. 1;

(22) Filed: **Nov. 7, 2002**

FIG. 3 is a bottom plan view thereof;

(51) **LOC (7) Cl.** ..... **23-01**

FIG. 4 is a front elevational view thereof; the rear elevational view being a mirror image thereof;

(52) **U.S. Cl.** ..... **D23/209**

(58) **Field of Search** ..... D23/207, 209, D23/365; 210/499, 497.01, 497.1, 493.5; 55/498, 510

FIG. 5 is a left end elevational view thereof;

FIG. 6 is a right end elevational view thereof;

(56) **References Cited**

**U.S. PATENT DOCUMENTS**

3,469,707	A	9/1969	Humbert, Jr. et al.	
5,137,557	A	8/1992	Behrendt et al.	
5,277,157	A	1/1994	Teich	
5,336,405	A	8/1994	Tang et al.	
5,443,721	A	8/1995	Kelada et al.	
5,490,926	A *	2/1996	Hammeken	210/321.74
5,762,669	A	6/1998	Kahlbaugh et al.	
D401,306	S	11/1998	Ward et al.	
D412,567	S	8/1999	Ward et al.	
D414,544	S	9/1999	Ward et al.	
D416,308	S	11/1999	Ward et al.	
D421,649	S *	3/2000	Cappuyns	D23/365
6,162,269	A	12/2000	Greenlees et al.	
D467,654	S	12/2002	Klug et al.	
6,488,746	B1 *	12/2002	Kosmider et al.	95/273
D471,623	S *	3/2003	Gieseke et al.	D23/365

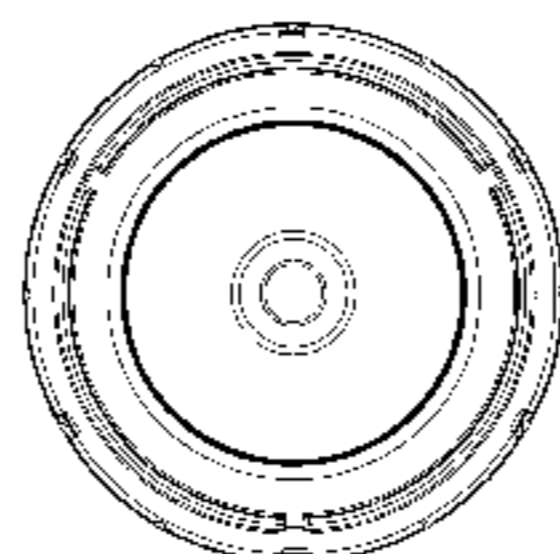
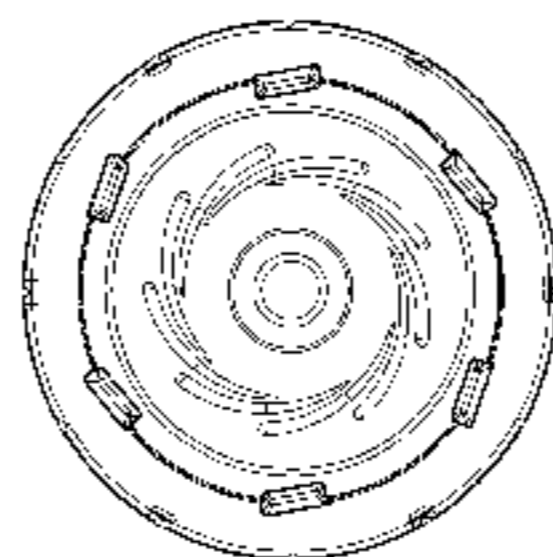
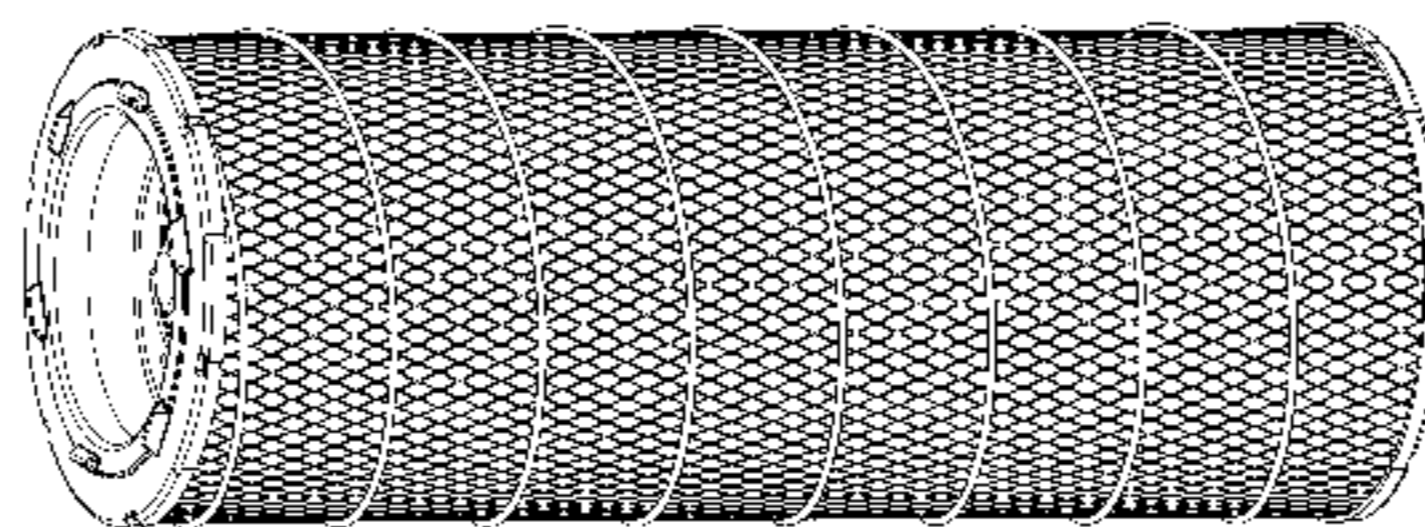
**FOREIGN PATENT DOCUMENTS**

WO WO 02/45819 6/2002

\* cited by examiner

*Primary Examiner*—Robin V. Taylor

**1 Claim, 10 Drawing Sheets**



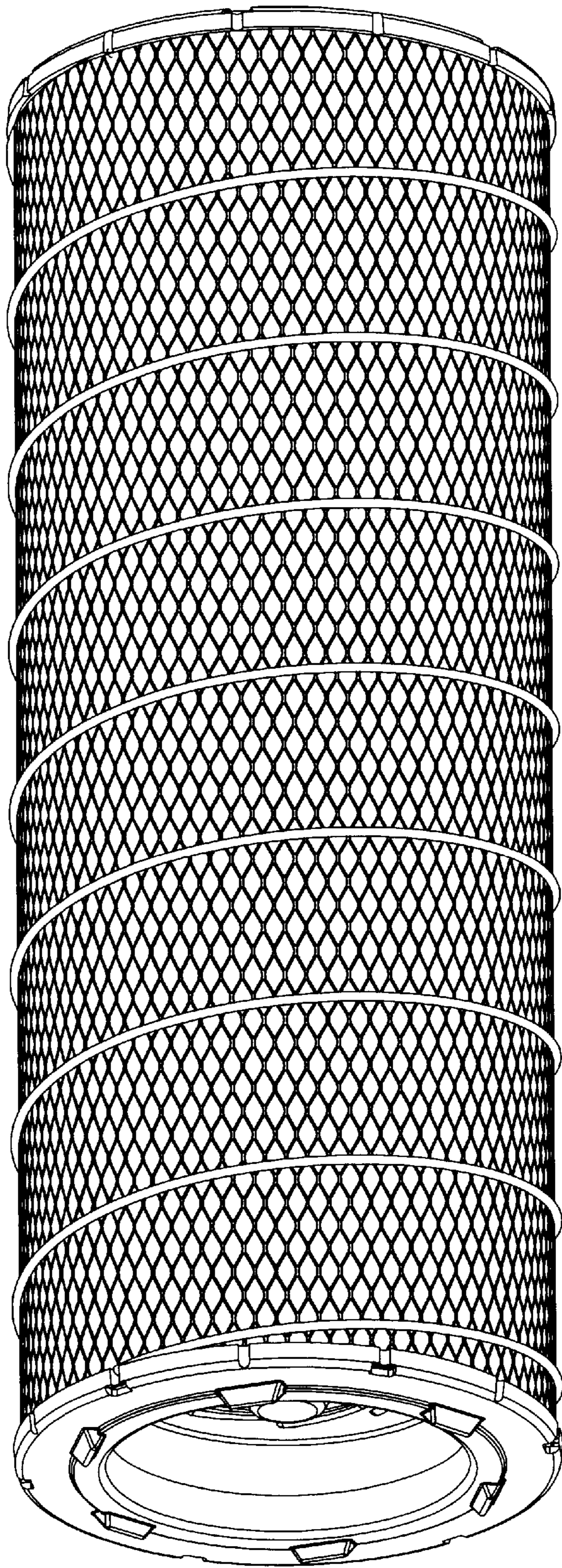


FIG. 1



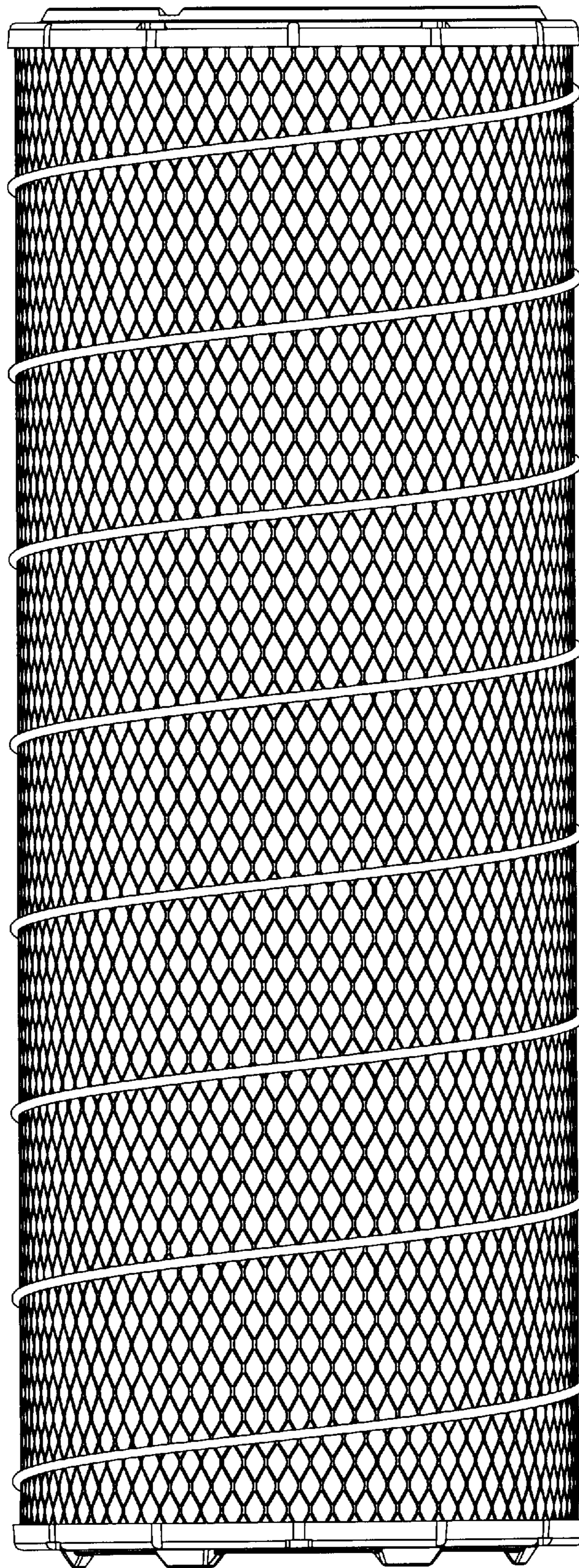


FIG.2



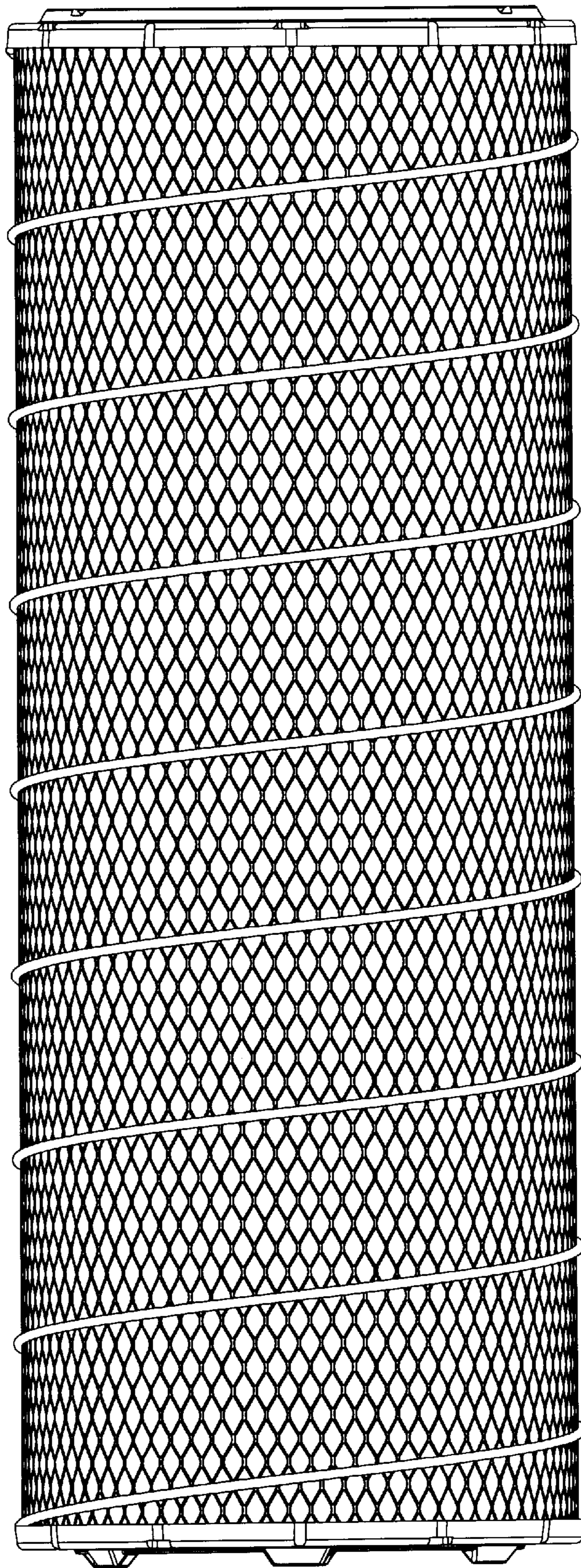


FIG. 3



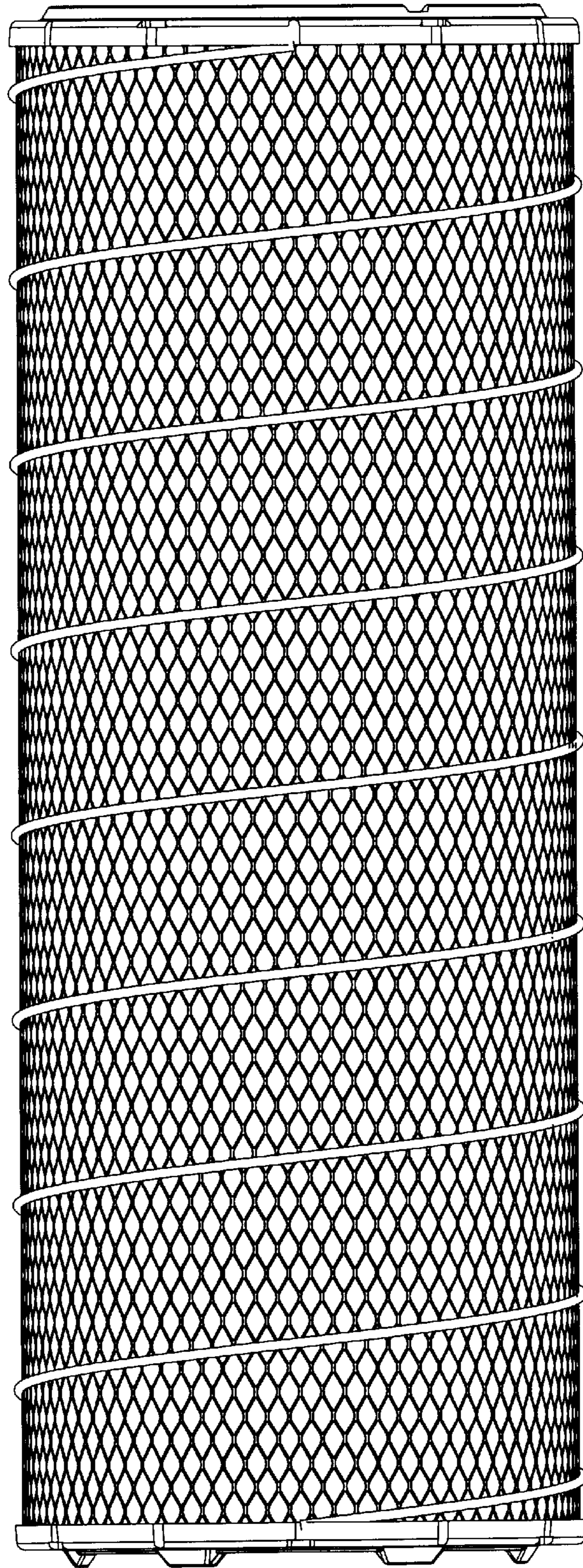


FIG.4

FIG.6

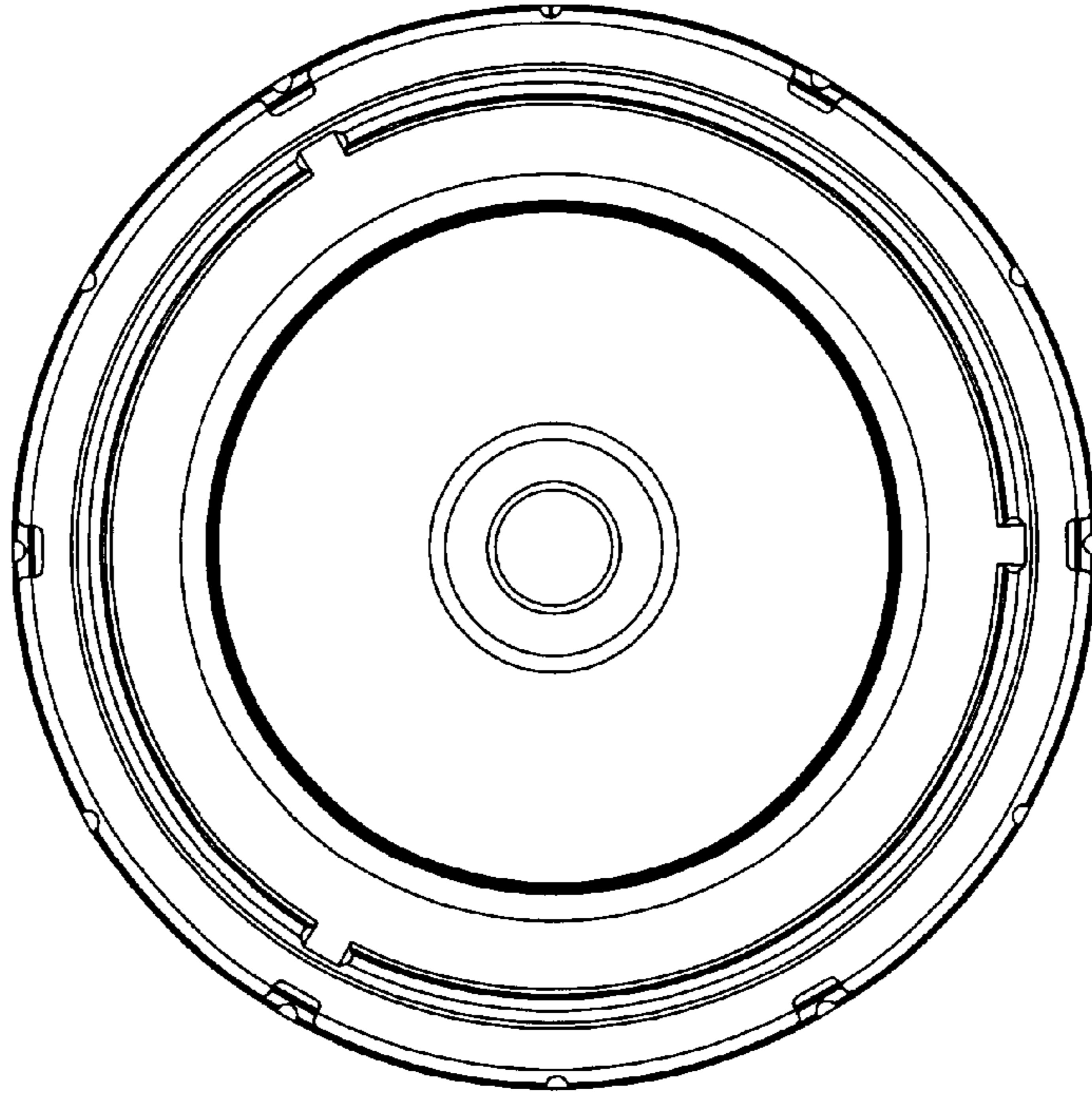
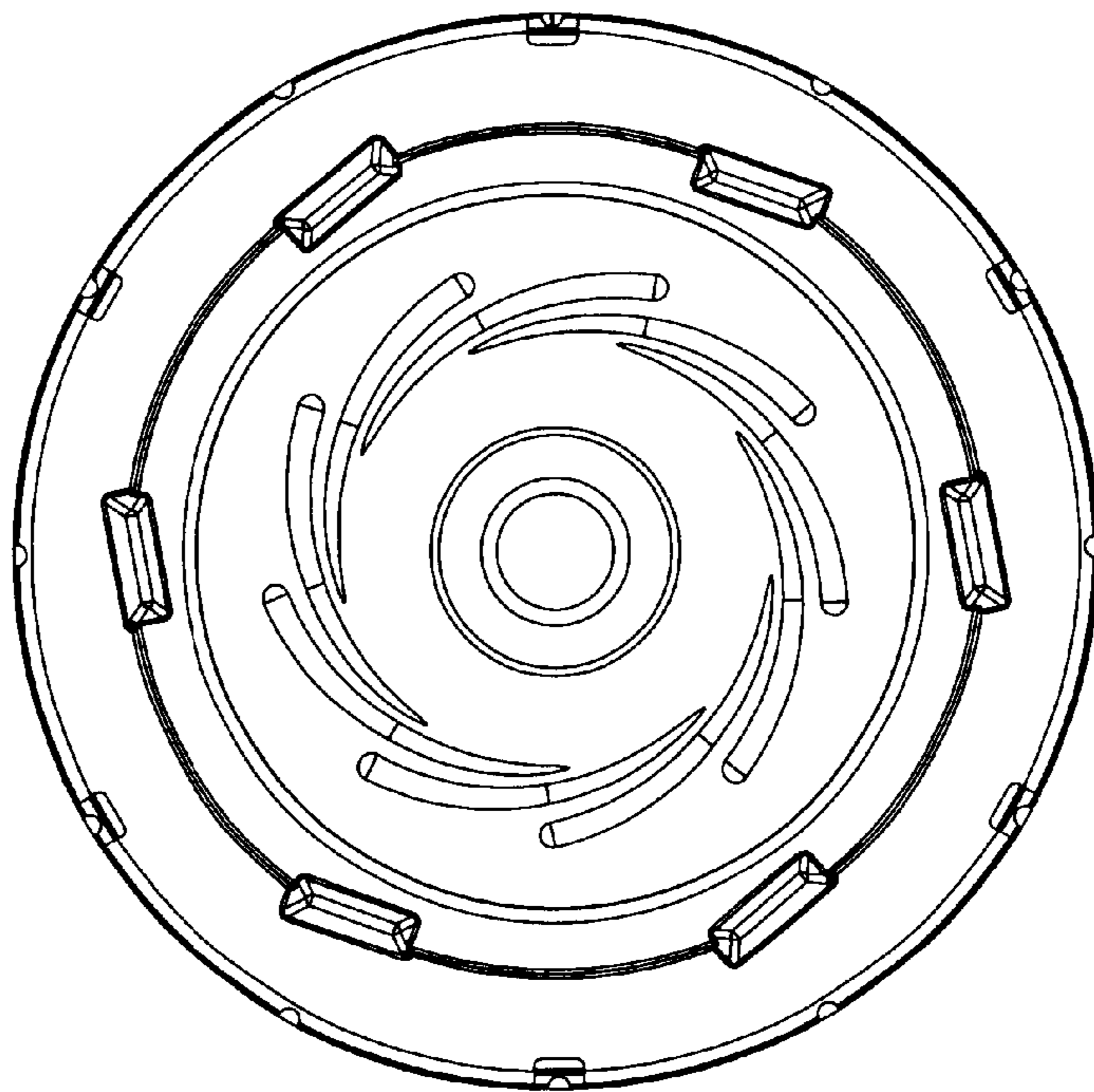


FIG.5





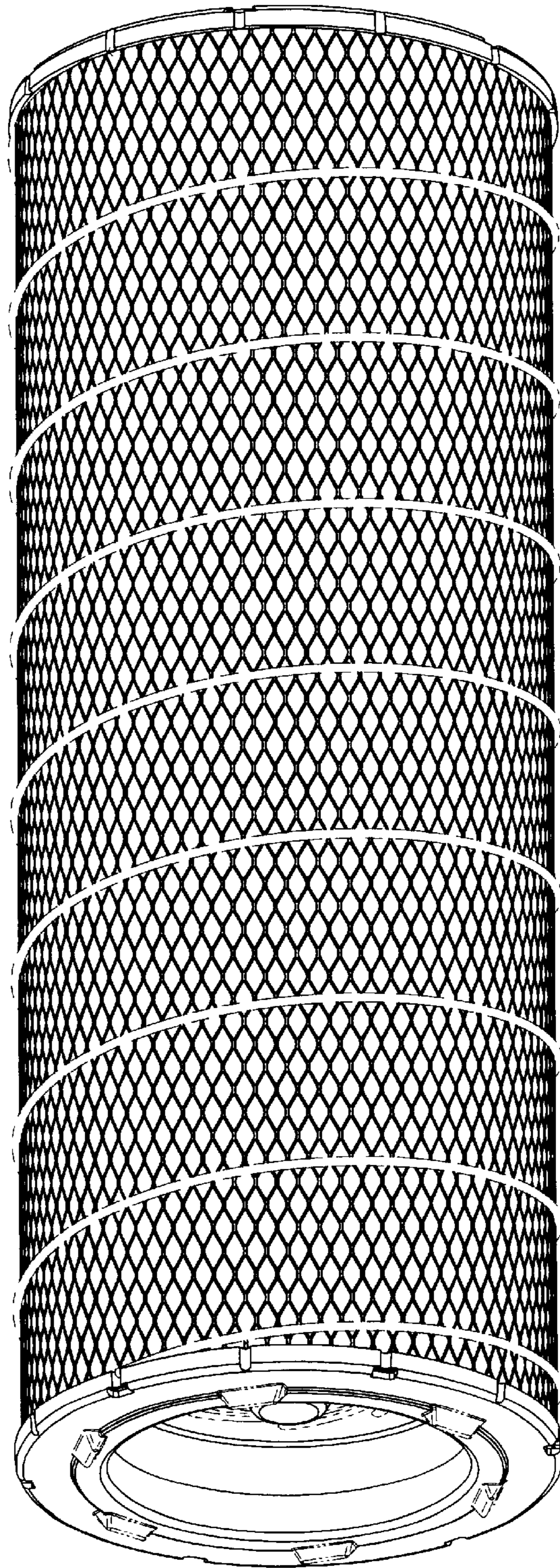


FIG. 7

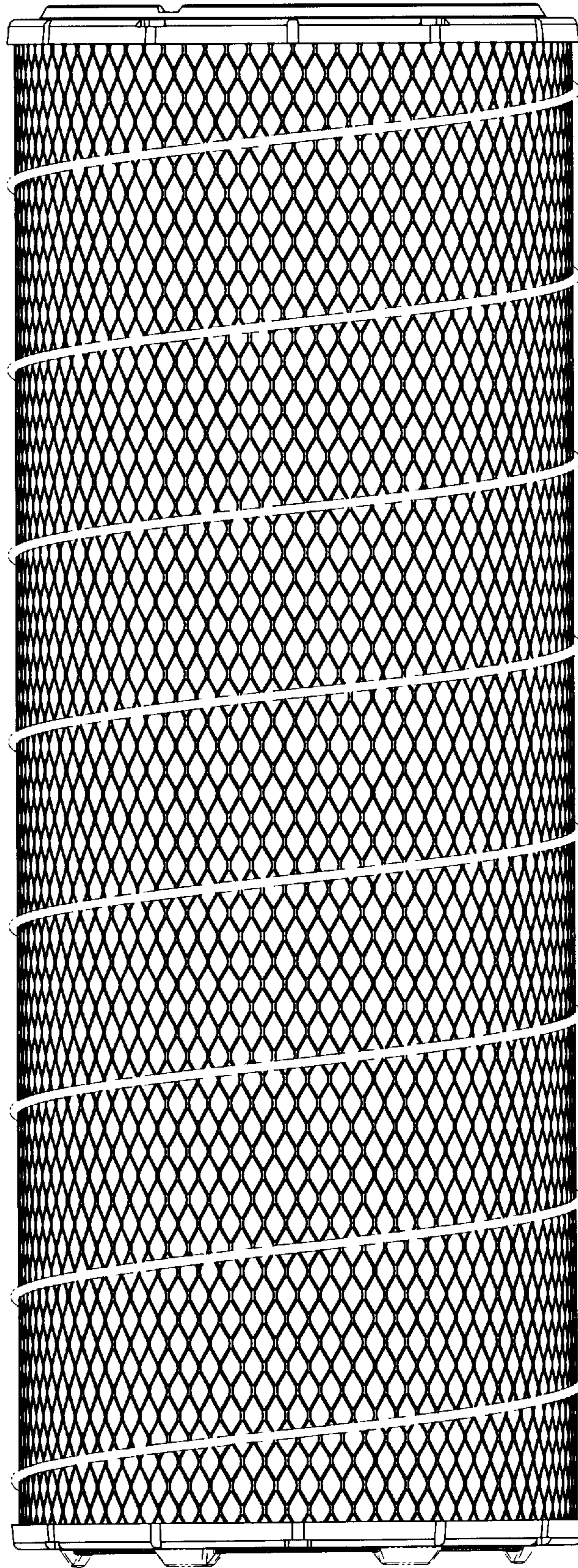


FIG.8



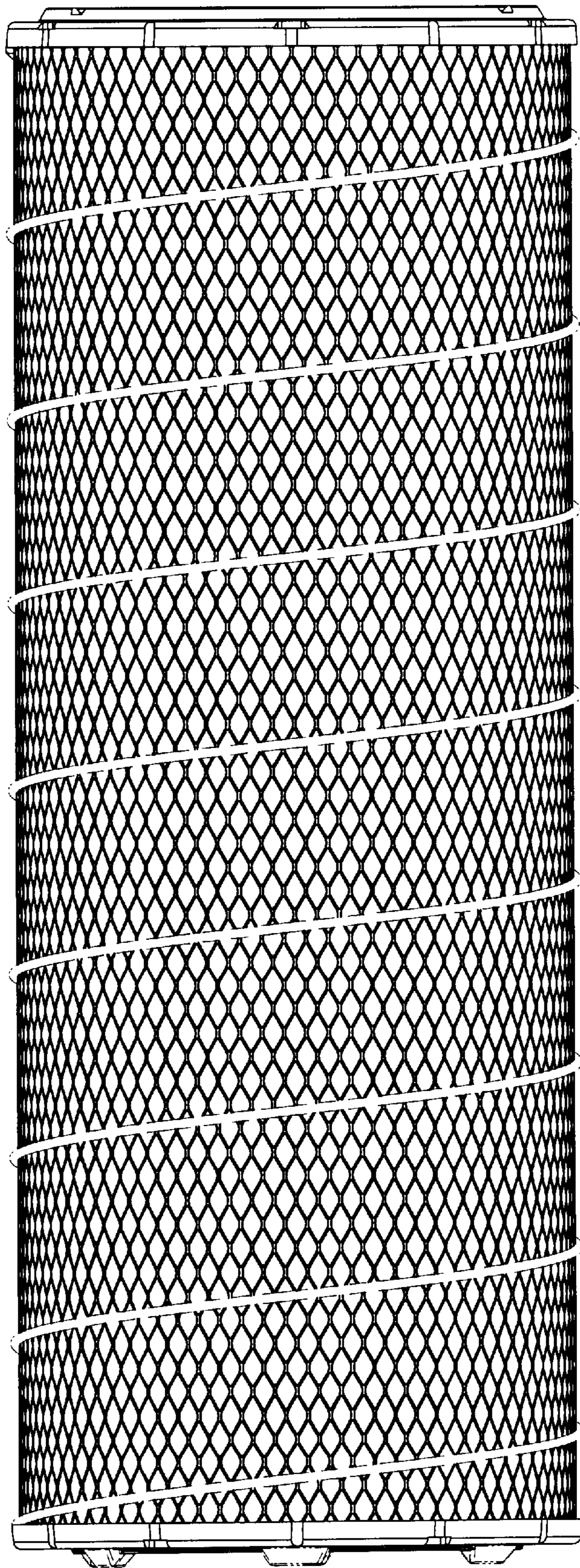


FIG.9



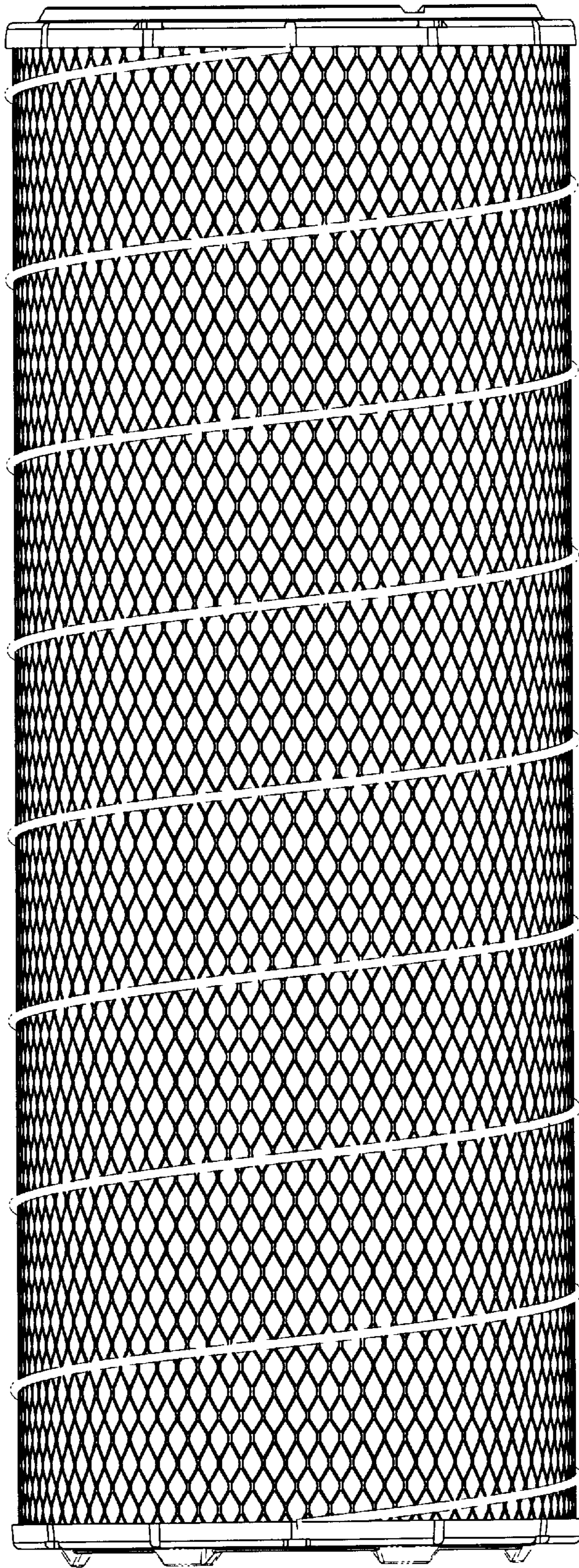


FIG.10



FIG.12

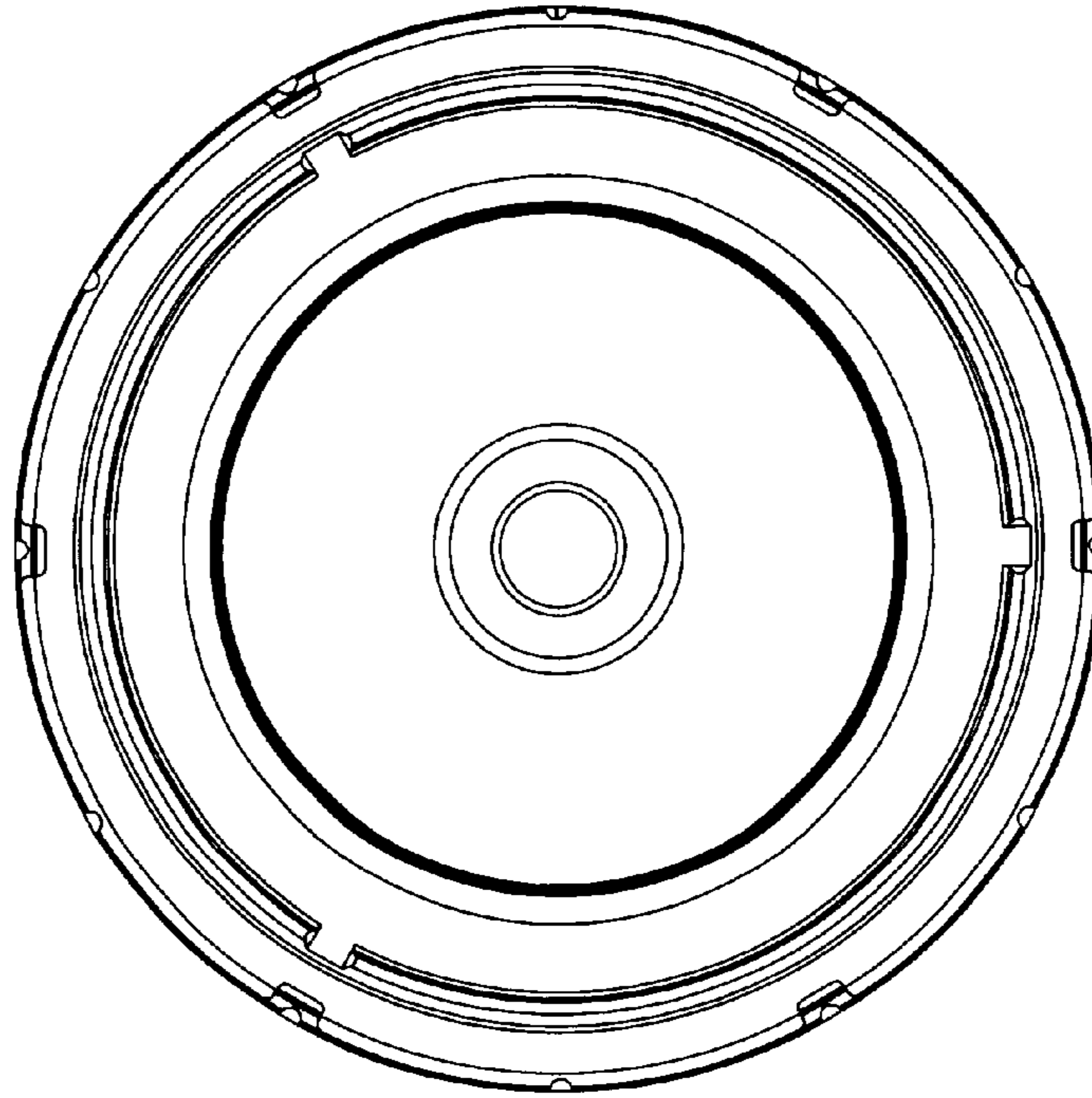


FIG.11

