



US00D481100S

(12) **United States Design Patent**  
**Legeay**

(10) **Patent No.:** **US D481,100 S**

(45) **Date of Patent:** **\*\* Oct. 21, 2003**

(54) **LAVATORY CLEANING DEVICE**  
(75) Inventor: **Vincent Legeay**, Guichen (FR)  
(73) Assignee: **Reckitt Benckiser, Inc.**, Wayne, NJ (US)  
(\*\*) Term: **14 Years**

D219,776 S \* 1/1971 Jacobs ..... D23/208  
3,668,717 A 6/1972 Curran  
D273,607 S 4/1984 Joyaux et al.  
4,805,246 A 2/1989 De Vargas et al.  
D307,934 S 5/1990 Verebelyi  
D361,109 S \* 8/1995 Davis, Jr. .... D23/208  
D387,848 S 12/1997 Thompson et al.  
6,389,610 B1 5/2002 Hautmann et al.  
D466,583 S \* 12/2002 Heijdenrijk ..... D23/208

(21) Appl. No.: **29/179,085**  
(22) Filed: **Apr. 3, 2003**

\* cited by examiner  
*Primary Examiner*—Robin V. Taylor  
(74) *Attorney, Agent, or Firm*—Akin, Gump, Strauss, Hauer & Feld, L.L.P.

**Related U.S. Application Data**

(62) Division of application No. 29/160,915, filed on May 16, 2002, now Pat. No. Des. 475,118.

(57) **CLAIM**

The ornamental design for a lavatory cleaning device, as shown and described.

(30) **Foreign Application Priority Data**

Nov. 16, 2001 (GB) ..... 2106319  
Apr. 11, 2002 (GB) ..... 3002864  
Apr. 11, 2002 (GB) ..... 3002865  
Apr. 11, 2002 (GB) ..... 3002866

**DESCRIPTION**

FIG. 1 is a front perspective view of a lavatory cleaning device in accordance with my new design;  
FIG. 2 is a front elevational view thereof;  
FIG. 3 is a right side elevational view thereof;  
FIG. 4 is a top plan view thereof;  
FIG. 5 is a rear elevational view thereof;  
FIG. 6 is a left side elevational view thereof; and,  
FIG. 7 is a bottom plan view thereof.  
The broken lines in the figures are for illustrative purposes only and form no part of the claimed design.

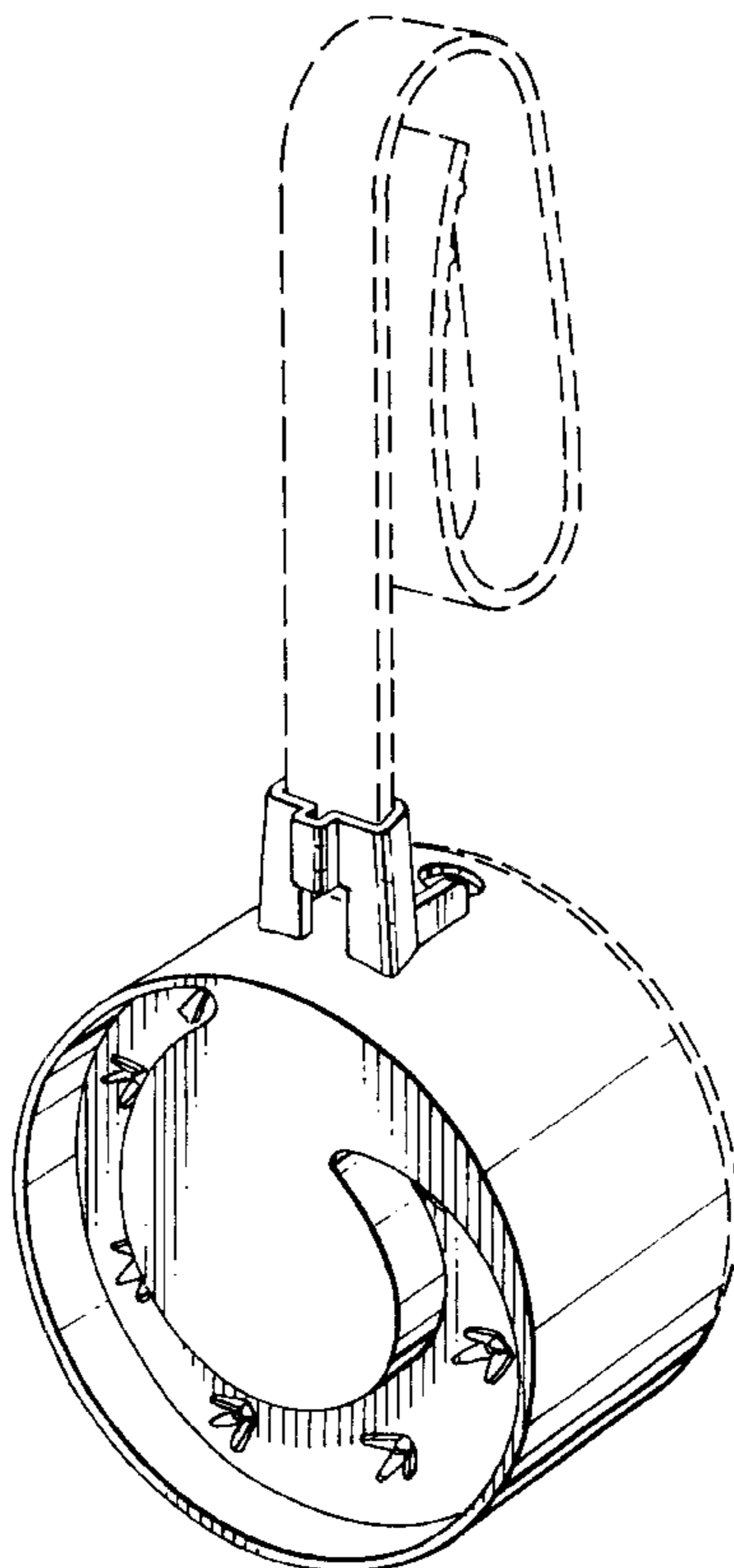
(51) **LOC (7) Cl.** ..... **23-01**  
(52) **U.S. Cl.** ..... **D23/208**  
(58) **Field of Search** ..... D23/208; 4/227.1, 4/227.4, 227.5, 231

(56) **References Cited**

**U.S. PATENT DOCUMENTS**

D202,888 S \* 11/1965 Mahler ..... D23/208

**1 Claim, 3 Drawing Sheets**



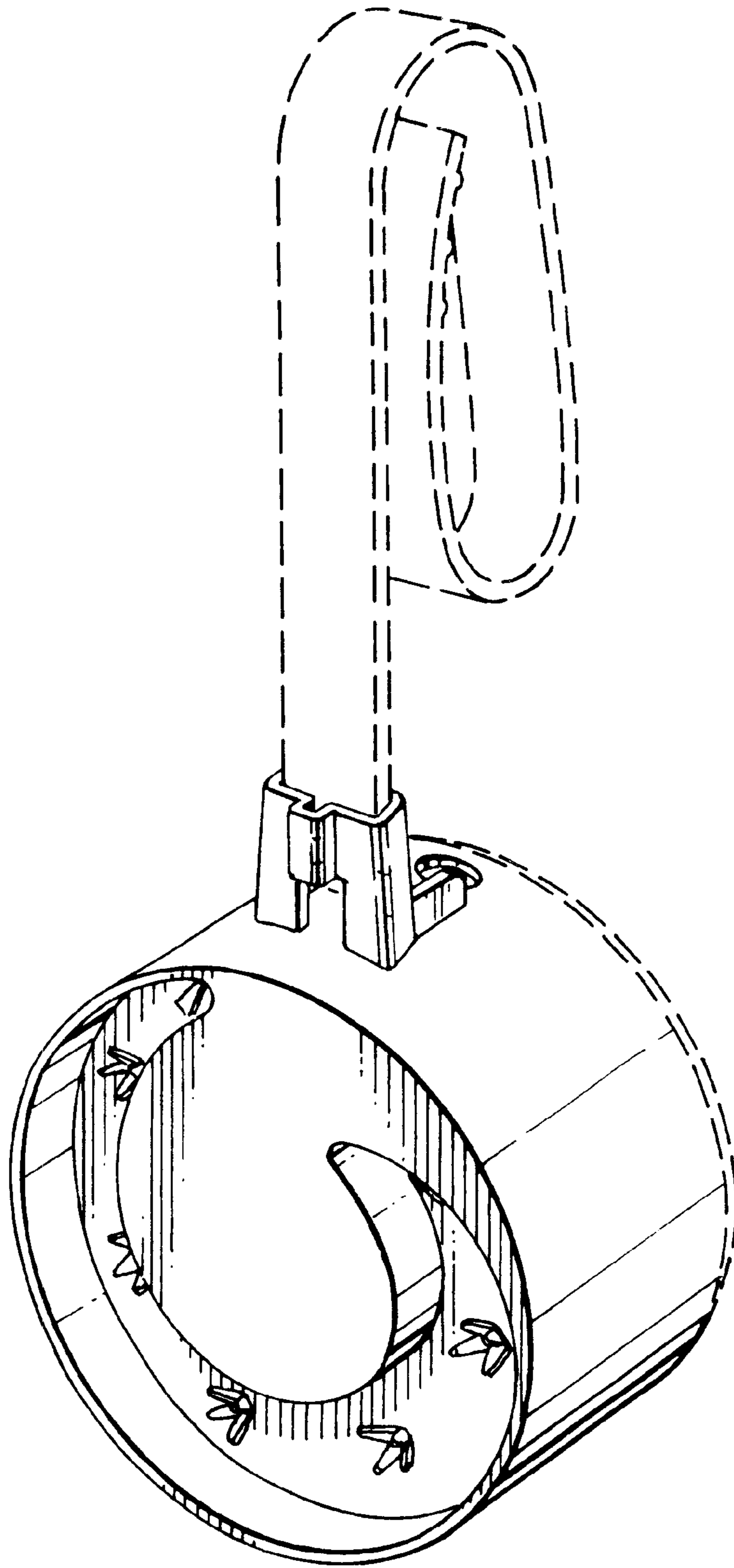


Fig. 1.

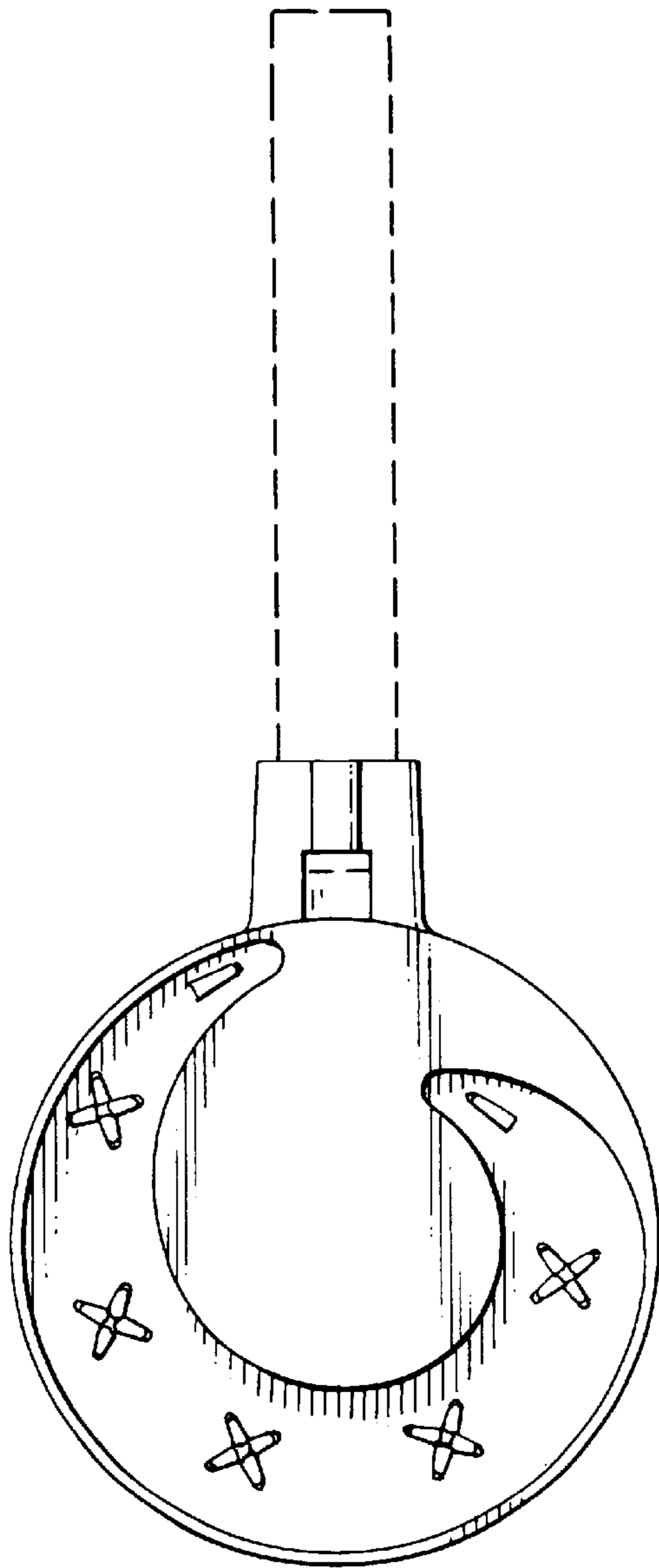


Fig.2.

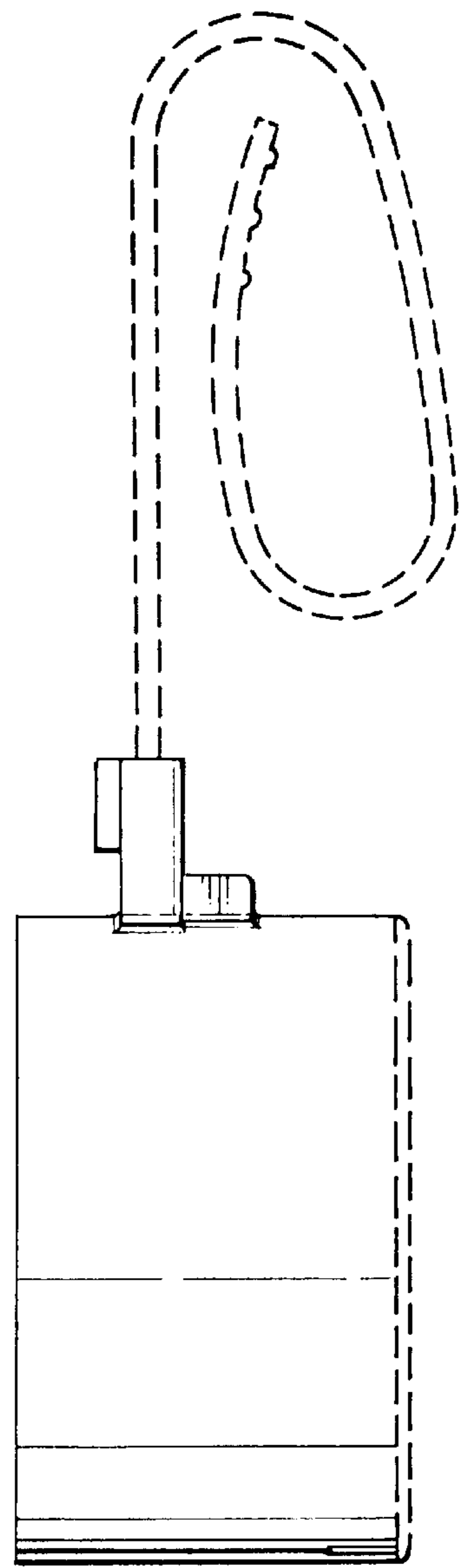


Fig.3.

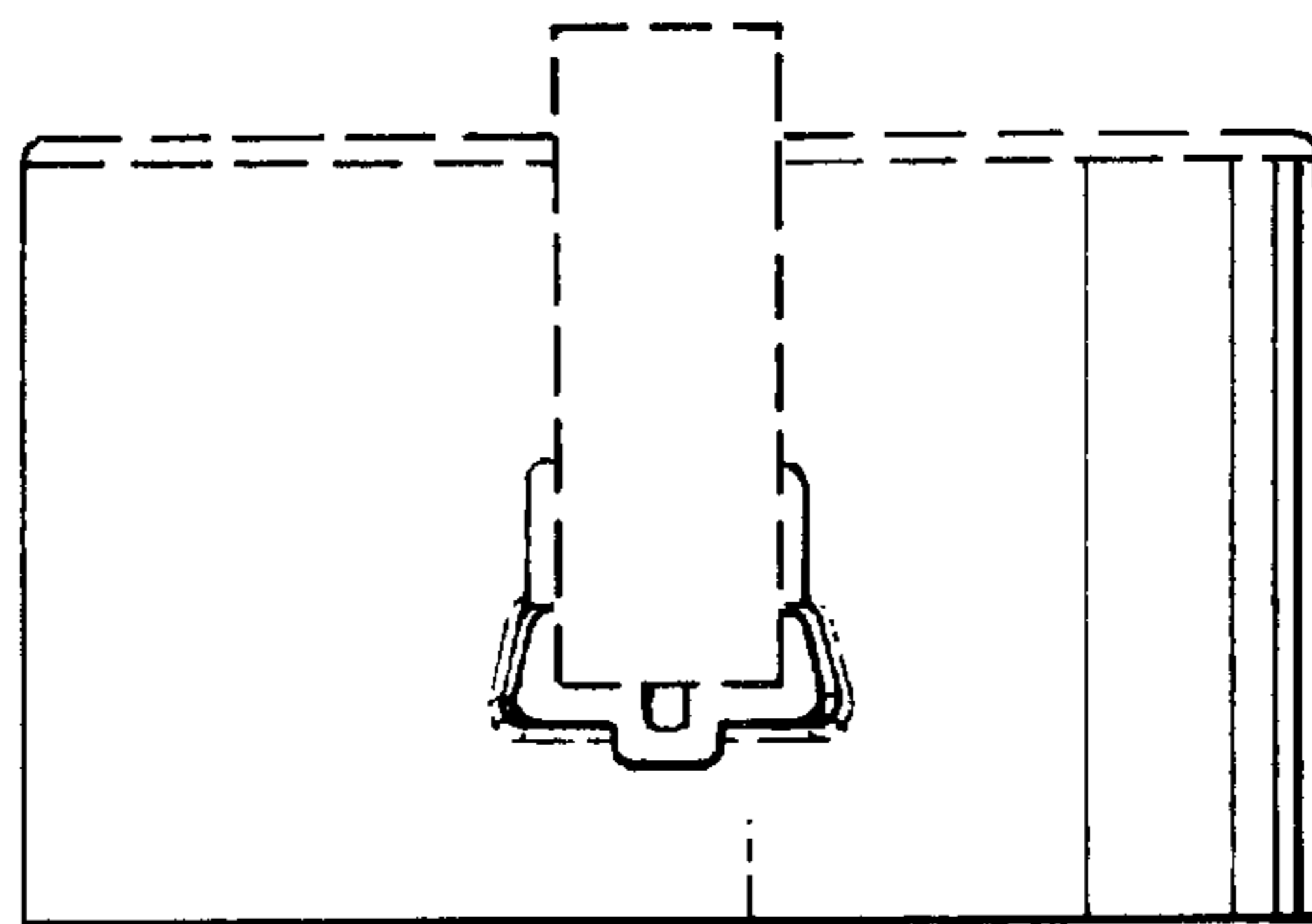


Fig.4.

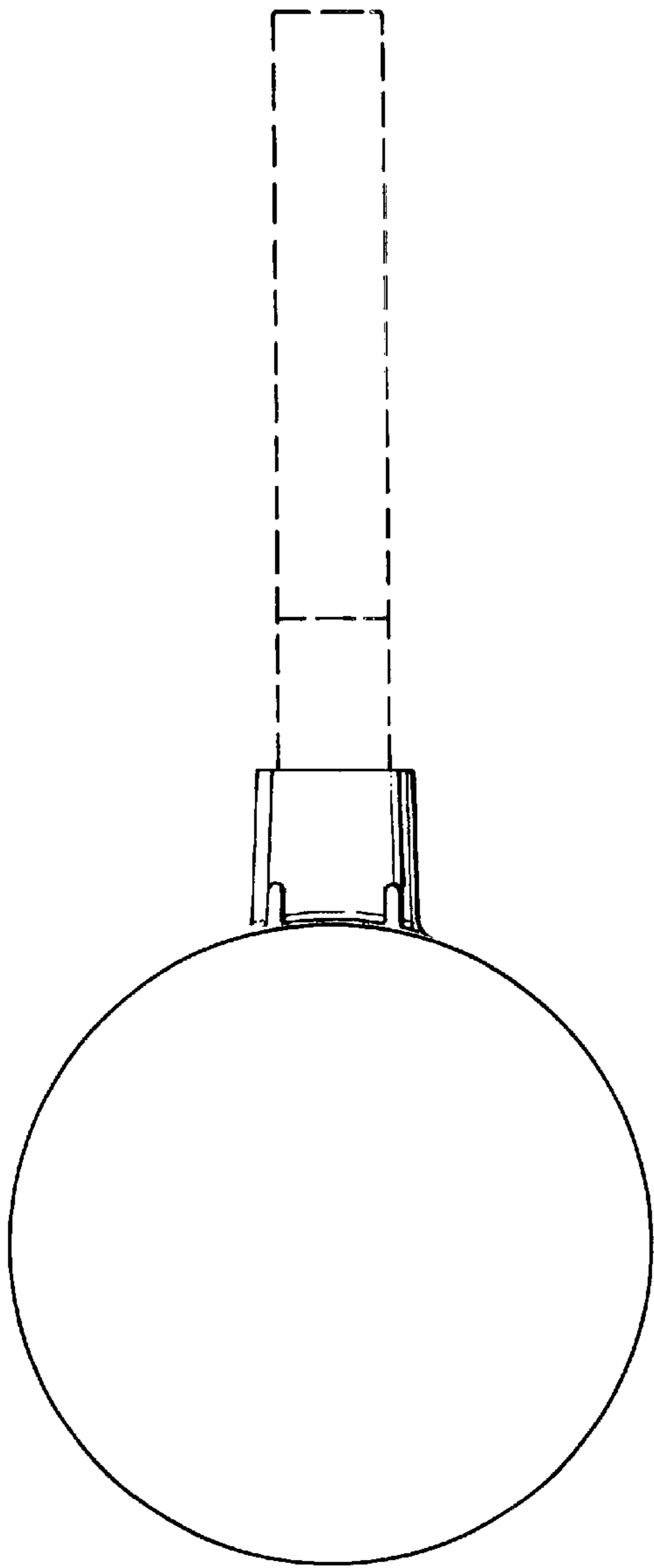


Fig.5.

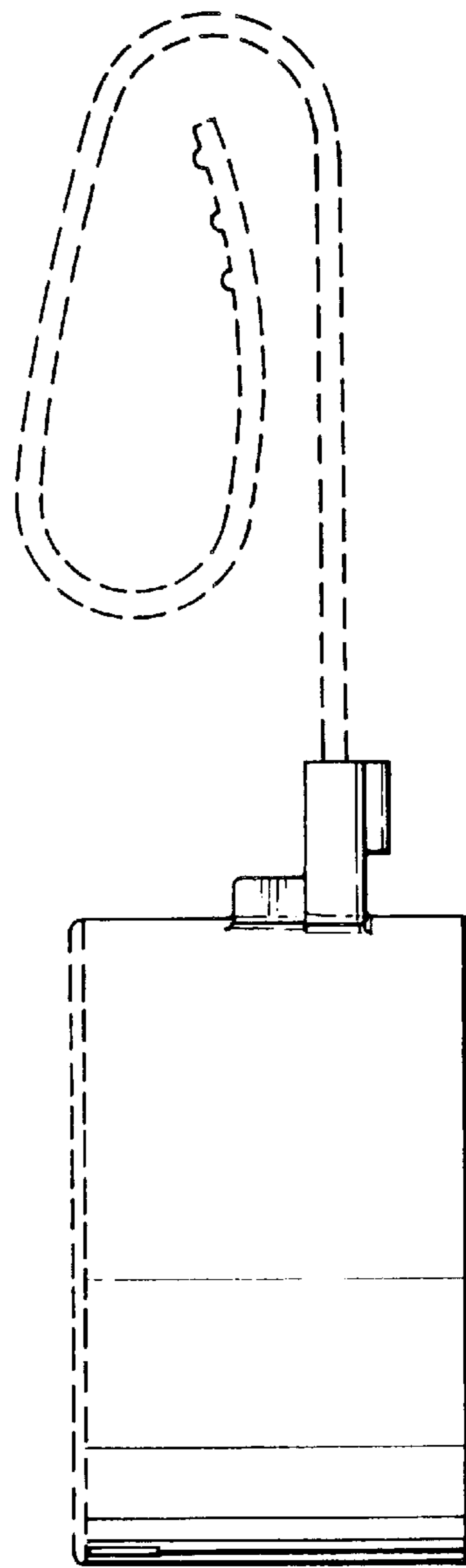


Fig.6.

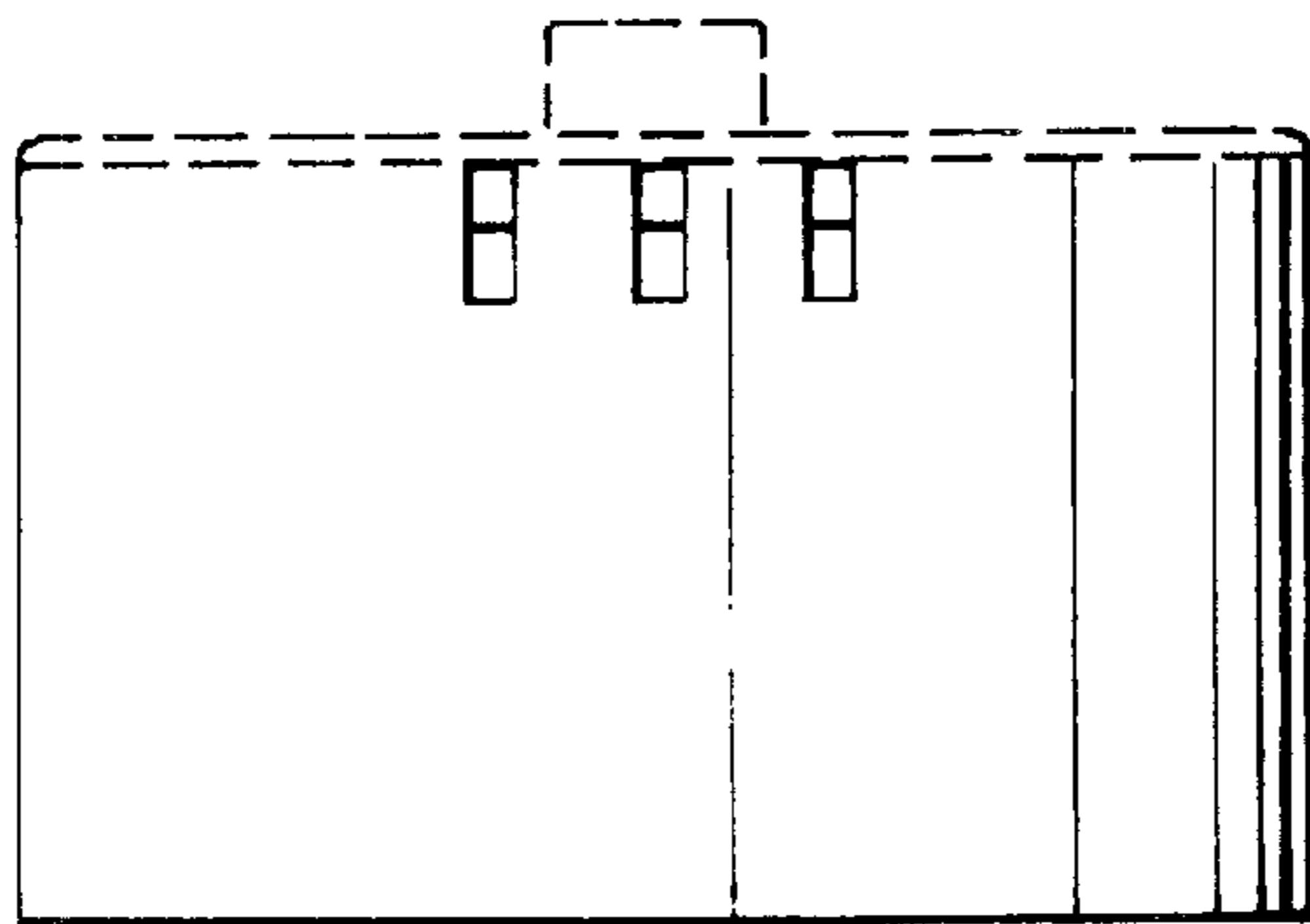


Fig.7.