



US00D481098S

(12) **United States Design Patent**
Iwabuchi

(10) **Patent No.:** **US D481,098 S**

(45) **Date of Patent:** **** Oct. 21, 2003**

(54) **ROTATIONAL FRAME OF SPINNING REEL**

(75) Inventor: **Masakazu Iwabuchi**, Tondabayashi (JP)

(73) Assignee: **Shimano Inc.**, Osaka (JP)

(**) Term: **14 Years**

(21) Appl. No.: **29/167,097**

(22) Filed: **Sep. 10, 2002**

(30) **Foreign Application Priority Data**

Mar. 19, 2002 (JP) 2002-007260

(51) **LOC (7) Cl.** **22-05**

(52) **U.S. Cl.** **D22/141**

(58) **Field of Search** D22/139-141;
242/230, 233, 240, 311, 232

(56) **References Cited**

U.S. PATENT DOCUMENTS

D357,726 S	*	4/1995	Fuomoto	D22/141
D368,513 S	*	4/1996	Moriya et al.	D22/141
D374,269 S	*	10/1996	Asano et al.	D22/141
D374,908 S	*	10/1996	Koelewyn	D22/141
D404,109 S	*	1/1999	Zwayer et al.	D22/141

* cited by examiner

Primary Examiner—Catherine R. Oliver

(74) *Attorney, Agent, or Firm*—Shinju Global IP Counselors, LLP

(57) **CLAIM**

The ornamental design for a rotational frame of spinning reel, as shown and described.

DESCRIPTION

FIG. 1 is a front elevational view of a rotational frame of spinning reel in accordance with my new design;

FIG. 2 is a rear elevational view of the rotational frame of spinning reel in accordance with my new design;

FIG. 3 is a top plan view of the rotational frame of spinning reel;

FIG. 4 is a bottom plan view of the rotational frame of spinning reel;

FIG. 5 is a right side elevational view of the rotational frame of spinning reel;

FIG. 6 is a left side elevational view of the rotational frame of spinning reel;

FIG. 7 is a cross-sectional view of the rotational frame of spinning reel in accordance with my new design viewed in the direction of arrow 7—7 in FIG. 1; and

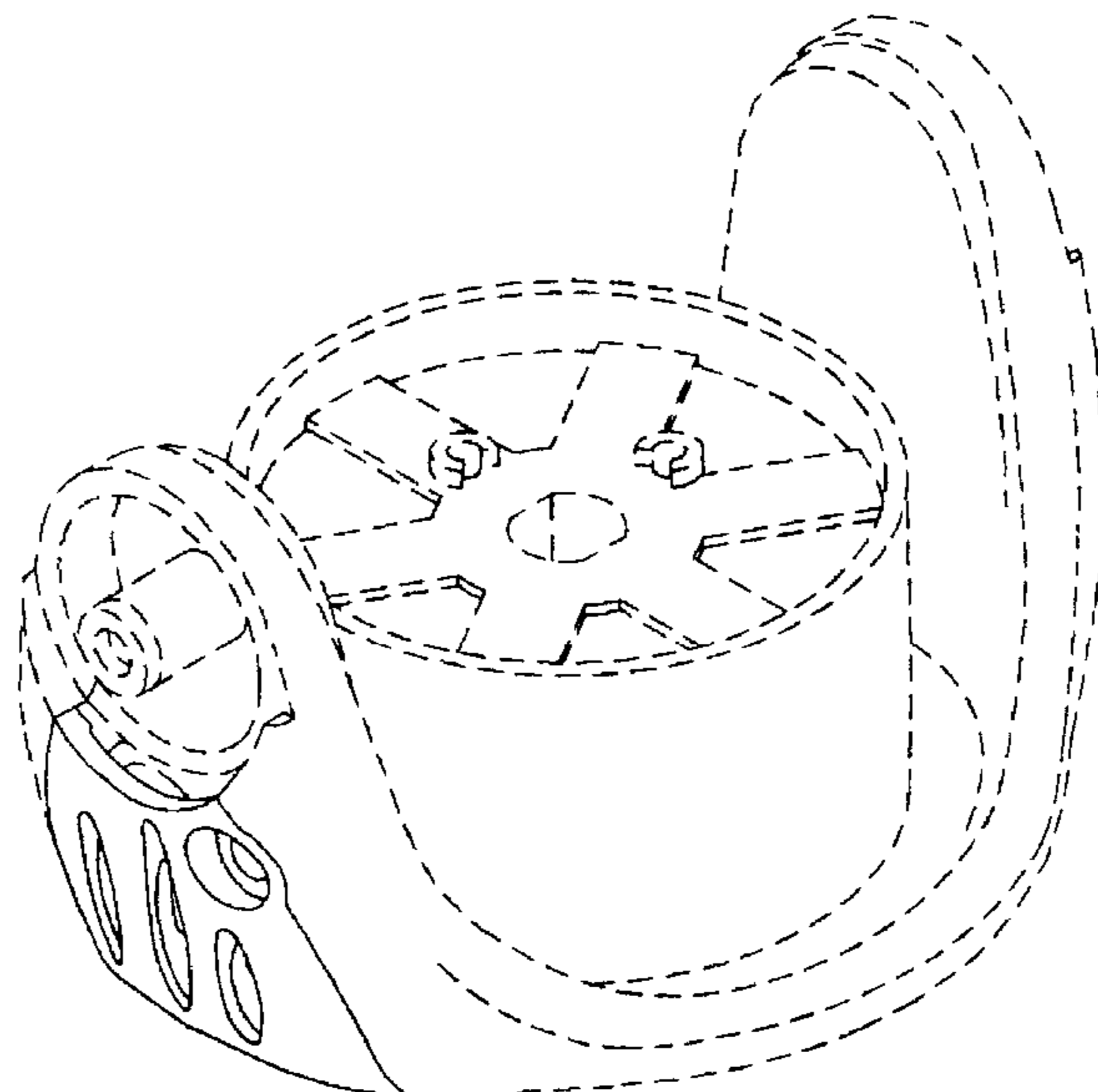
FIG. 8 is a cross-sectional view of the rotational frame of spinning reel in accordance with my new design viewed in the direction of arrow 8—8 in FIG. 2; and

FIG. 9 is a cross-sectional view of the rotational frame of spinning reel in accordance with my new design viewed in the direction of arrow 9—9 in FIG. 3; and,

FIG. 10 is a perspective view of the rotational frame of spinning reel.

The broken line showing of environment (the remaining structure of the rotational frame of spinning reel) in the Figures is for illustrative purposes only and forms no part of the claimed design. Moreover, is hereby disclaimed. The rear side of the rotational frame of spinning reel does not form part of the claimed design.

1 Claim, 9 Drawing Sheets



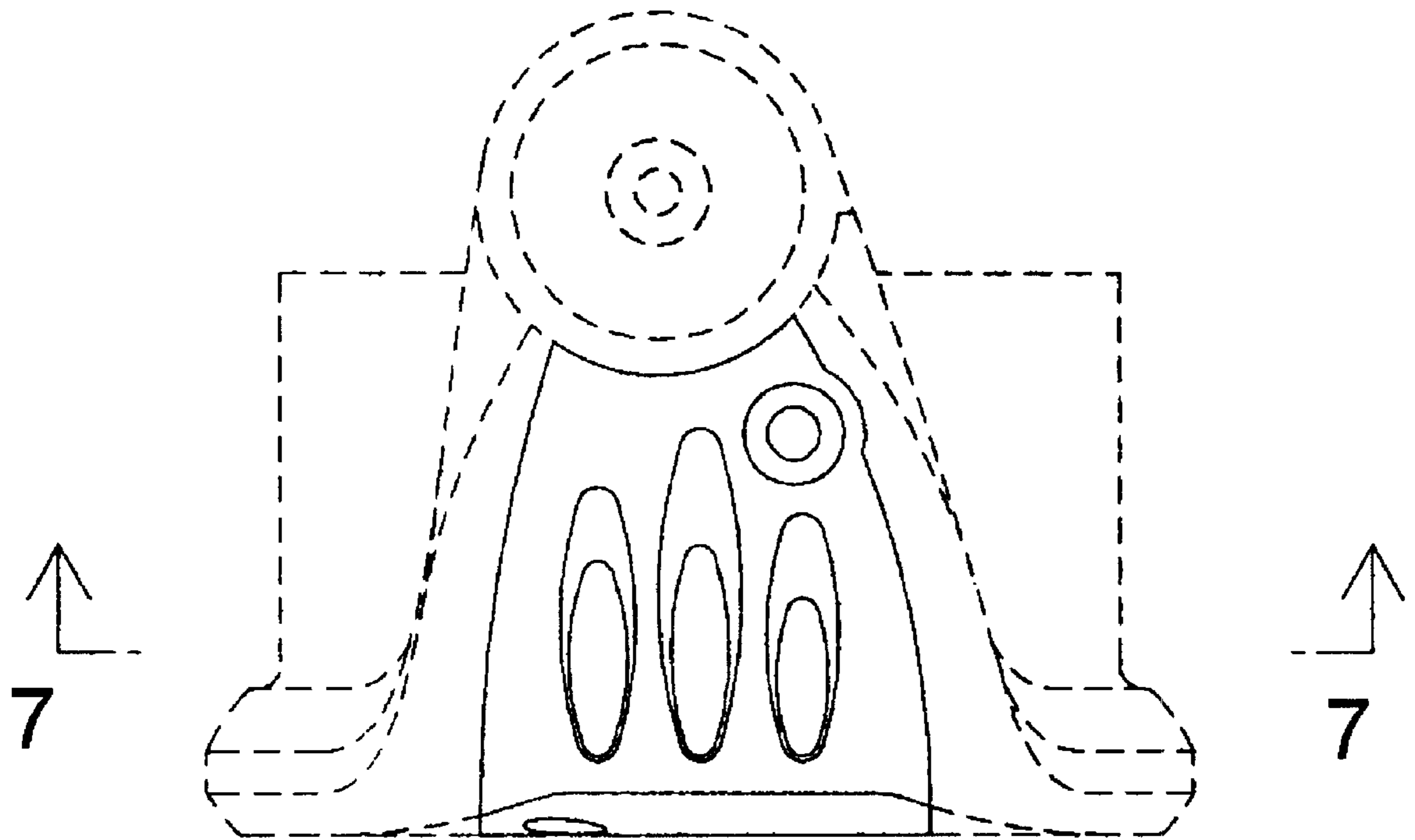


FIGURE 1

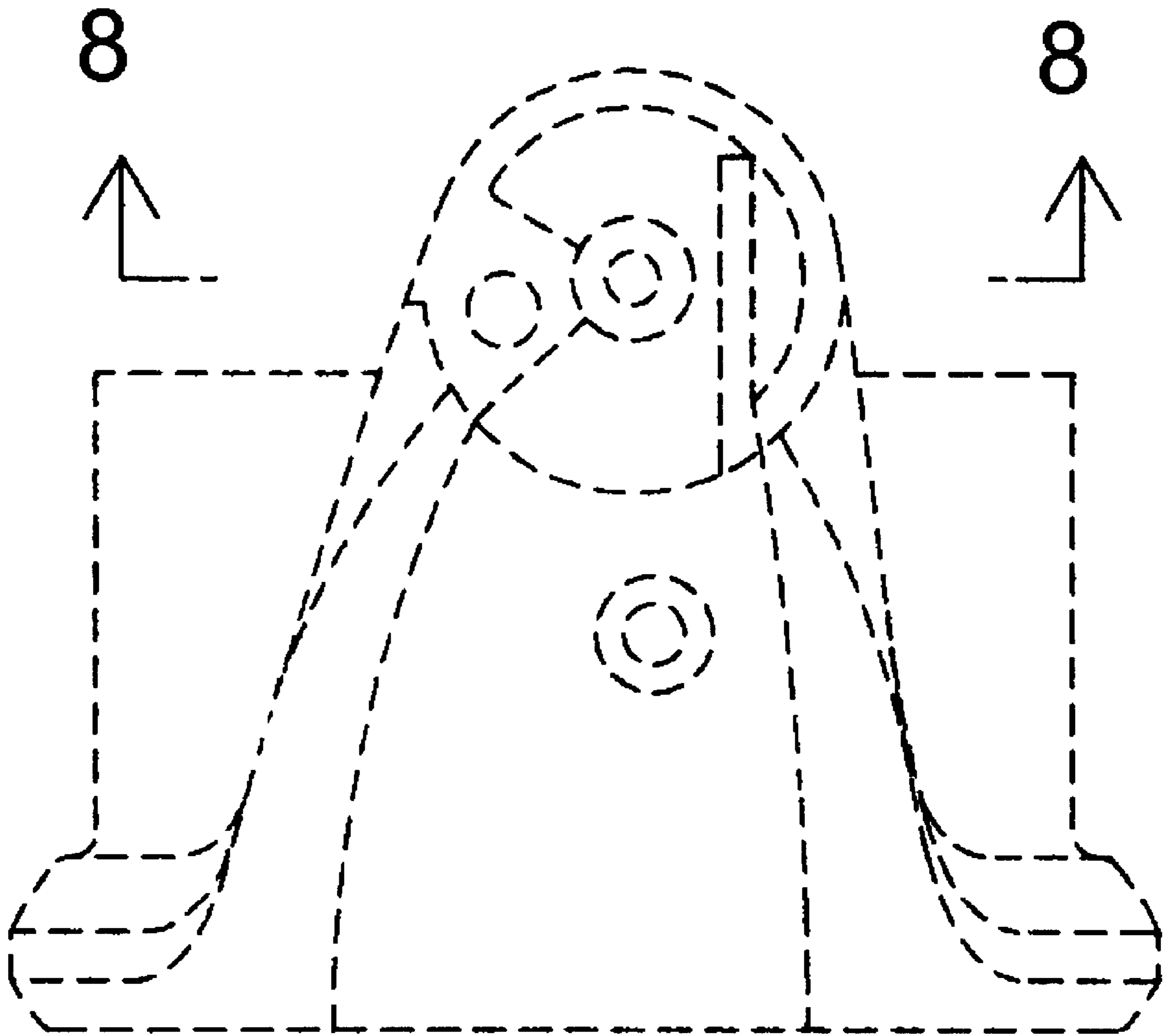


FIGURE 2

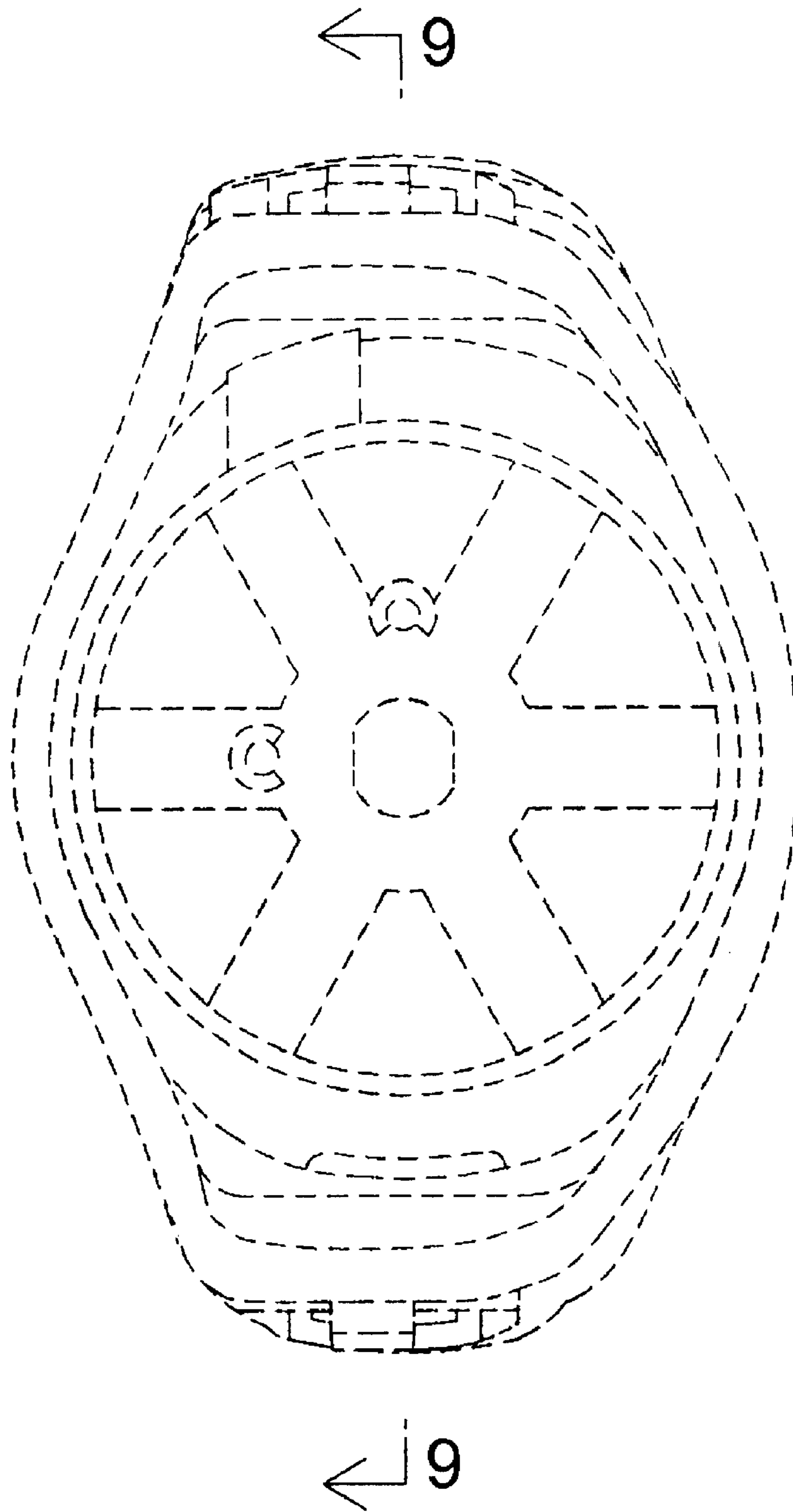


FIGURE 3

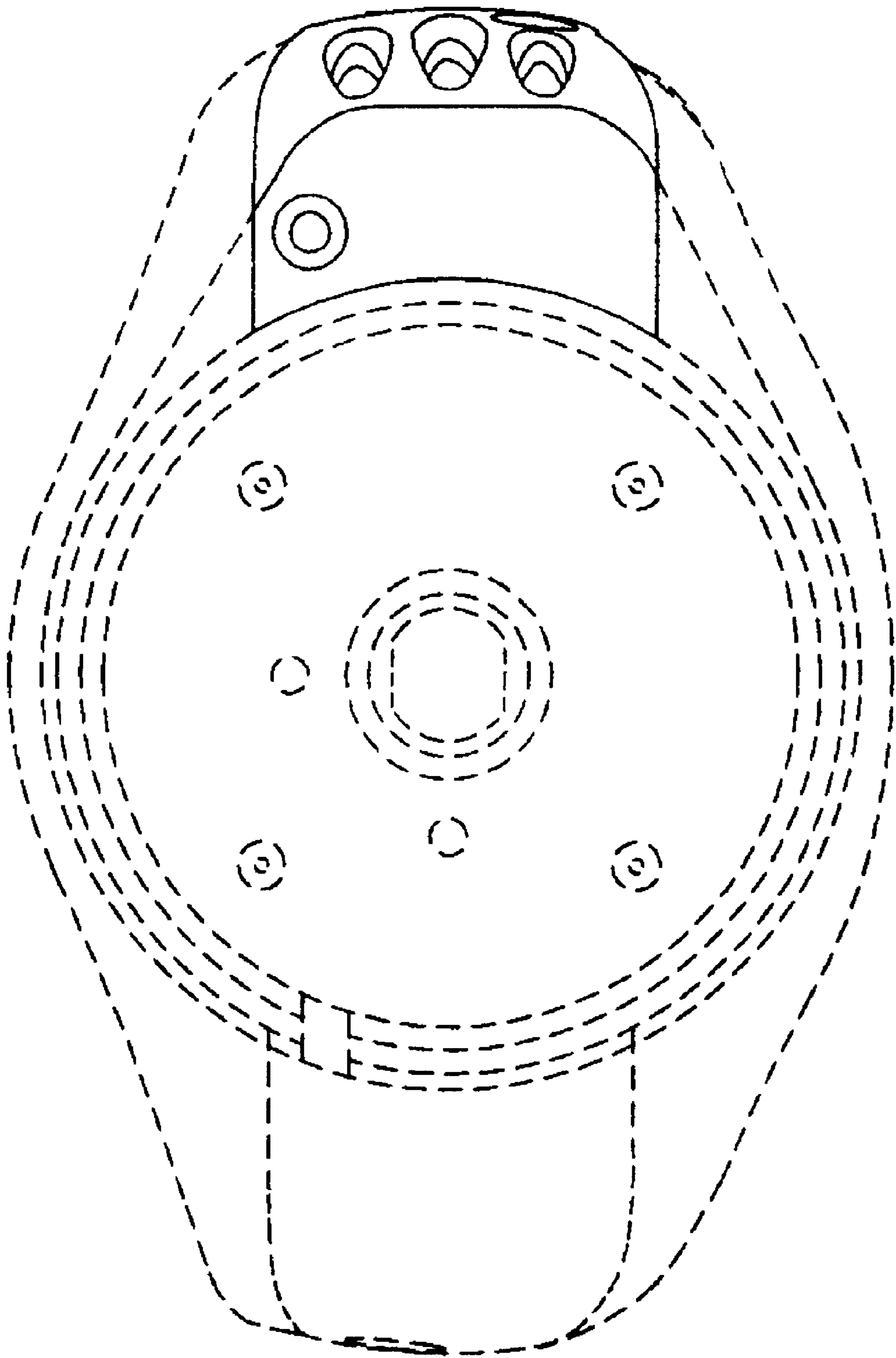


FIGURE 4

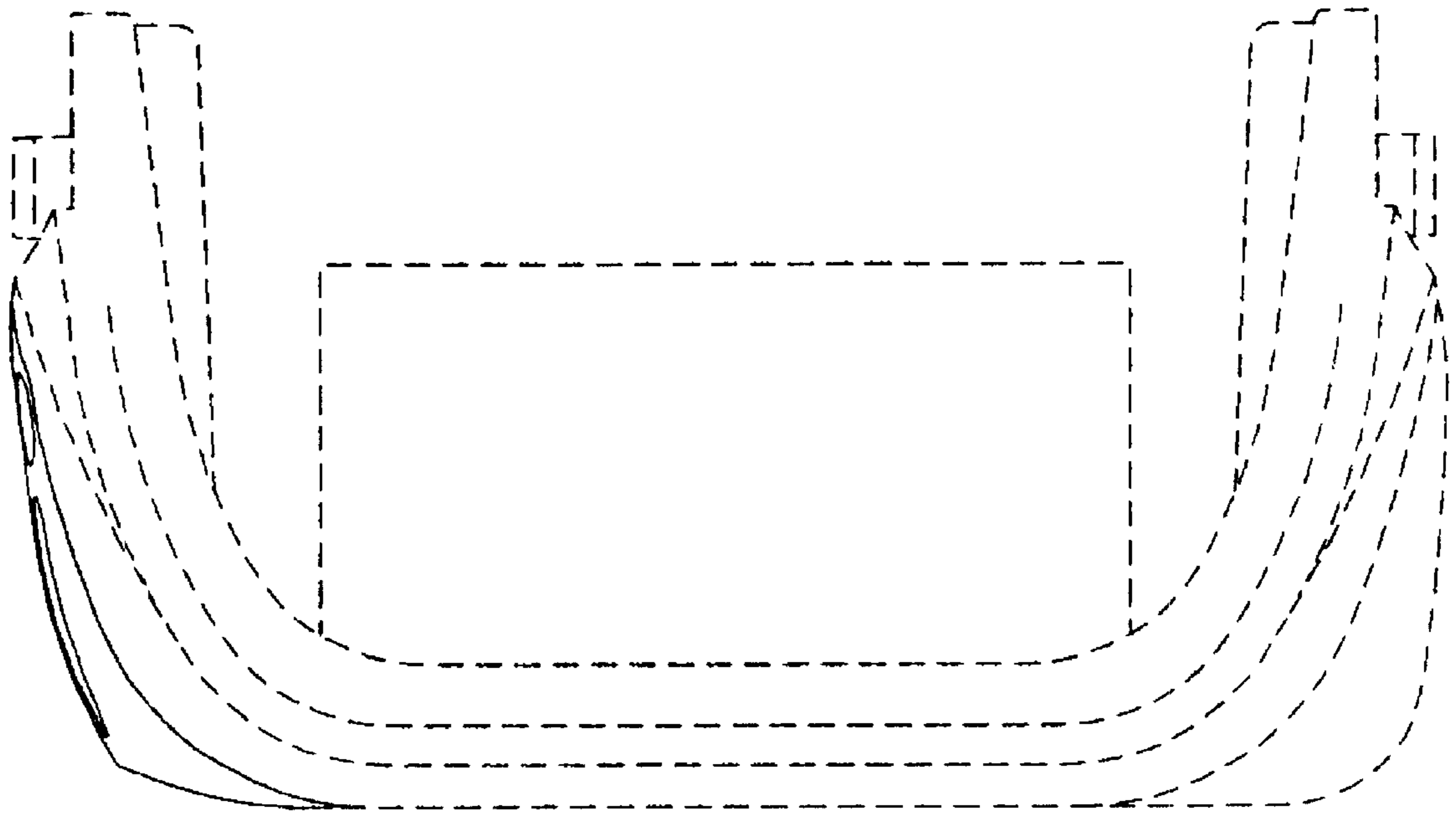


FIGURE 5

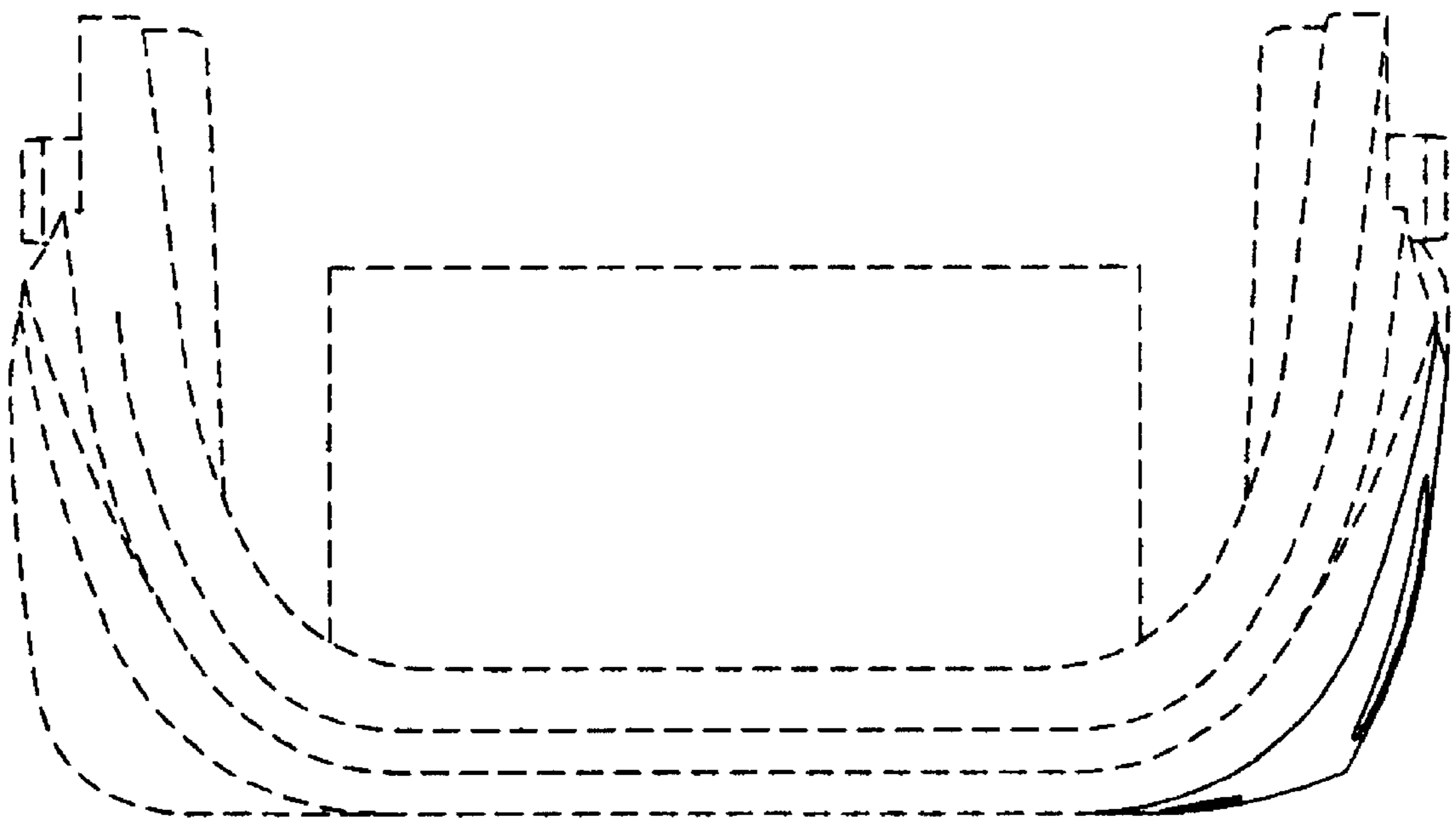


FIGURE 6

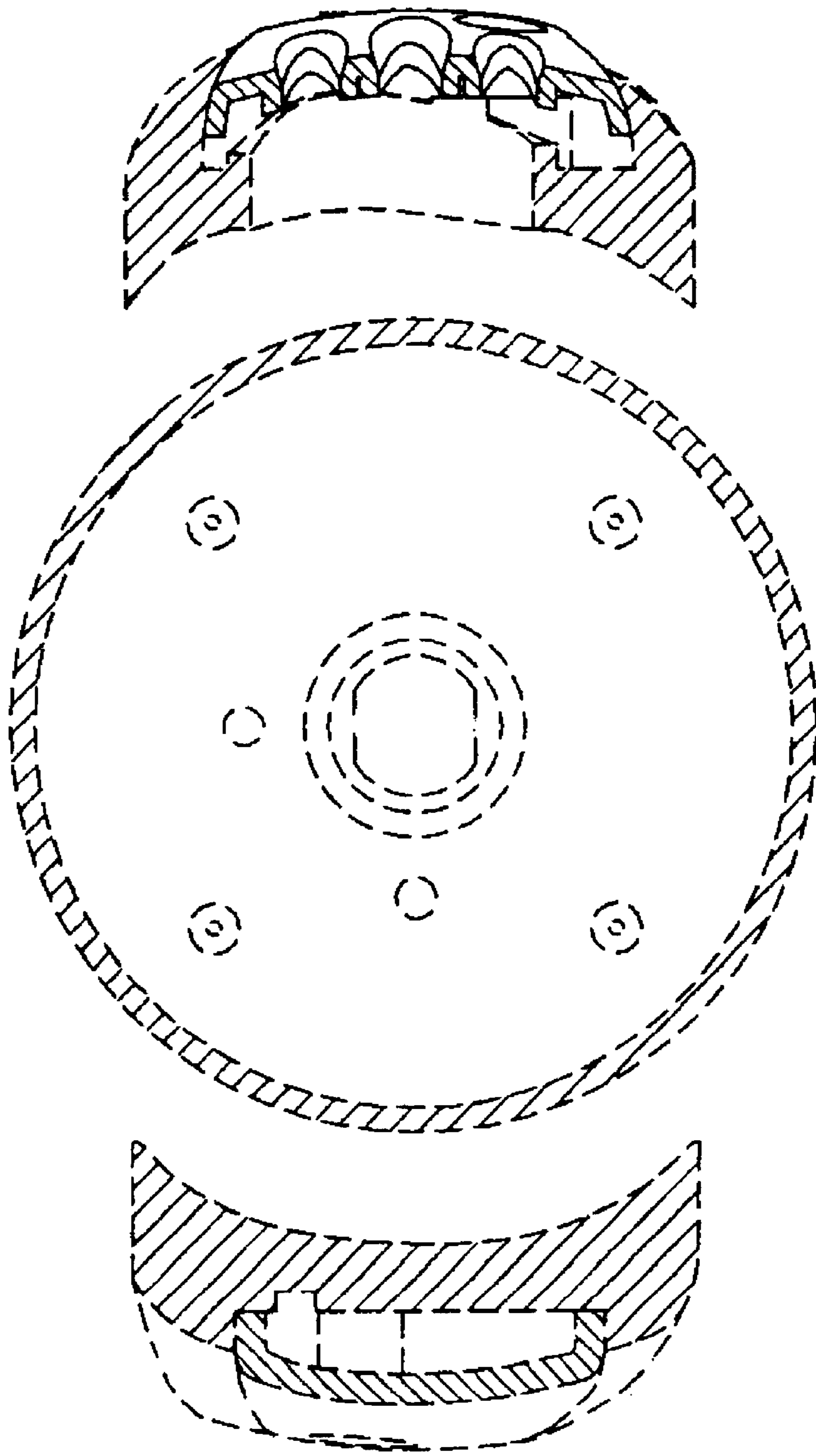


FIGURE 7

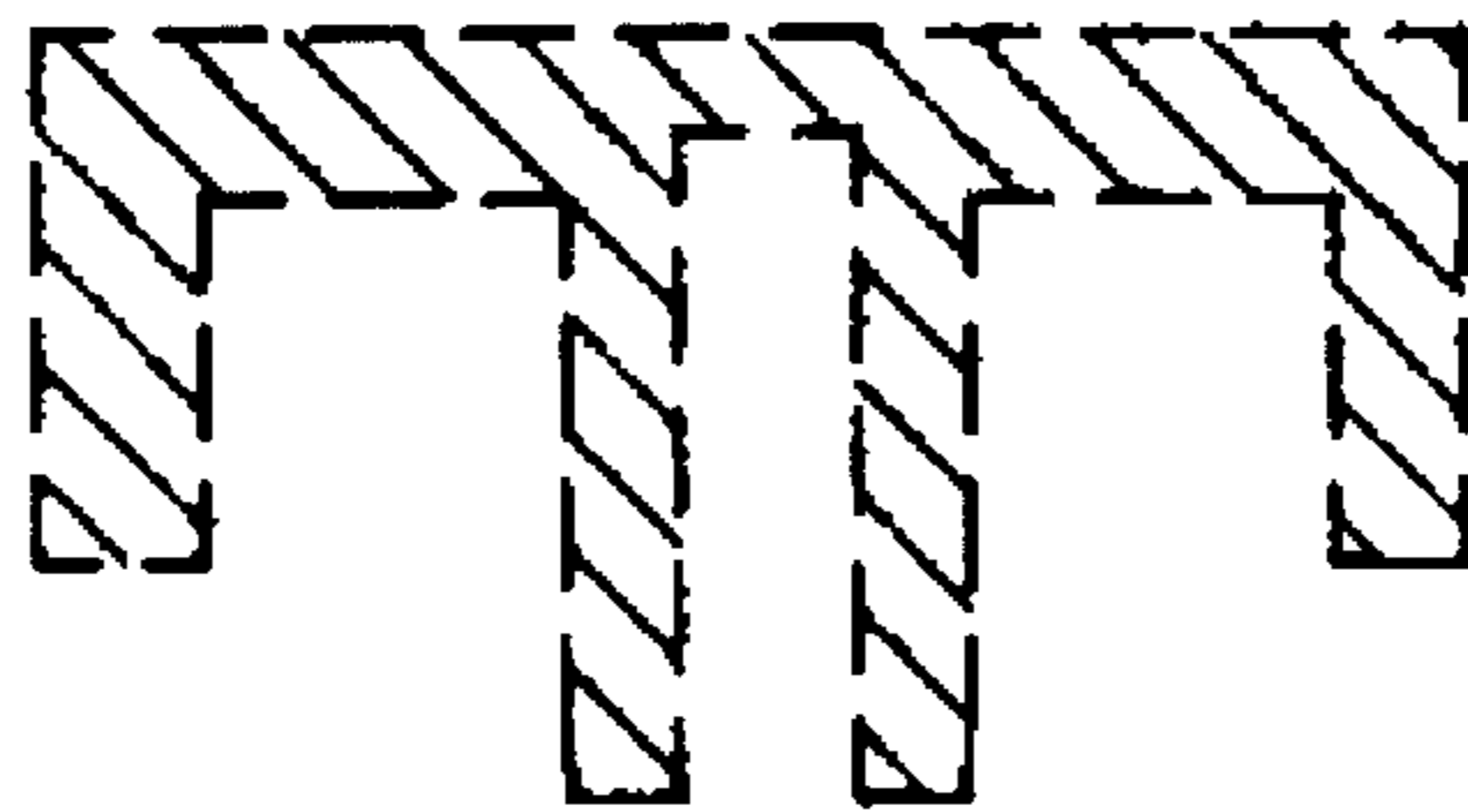
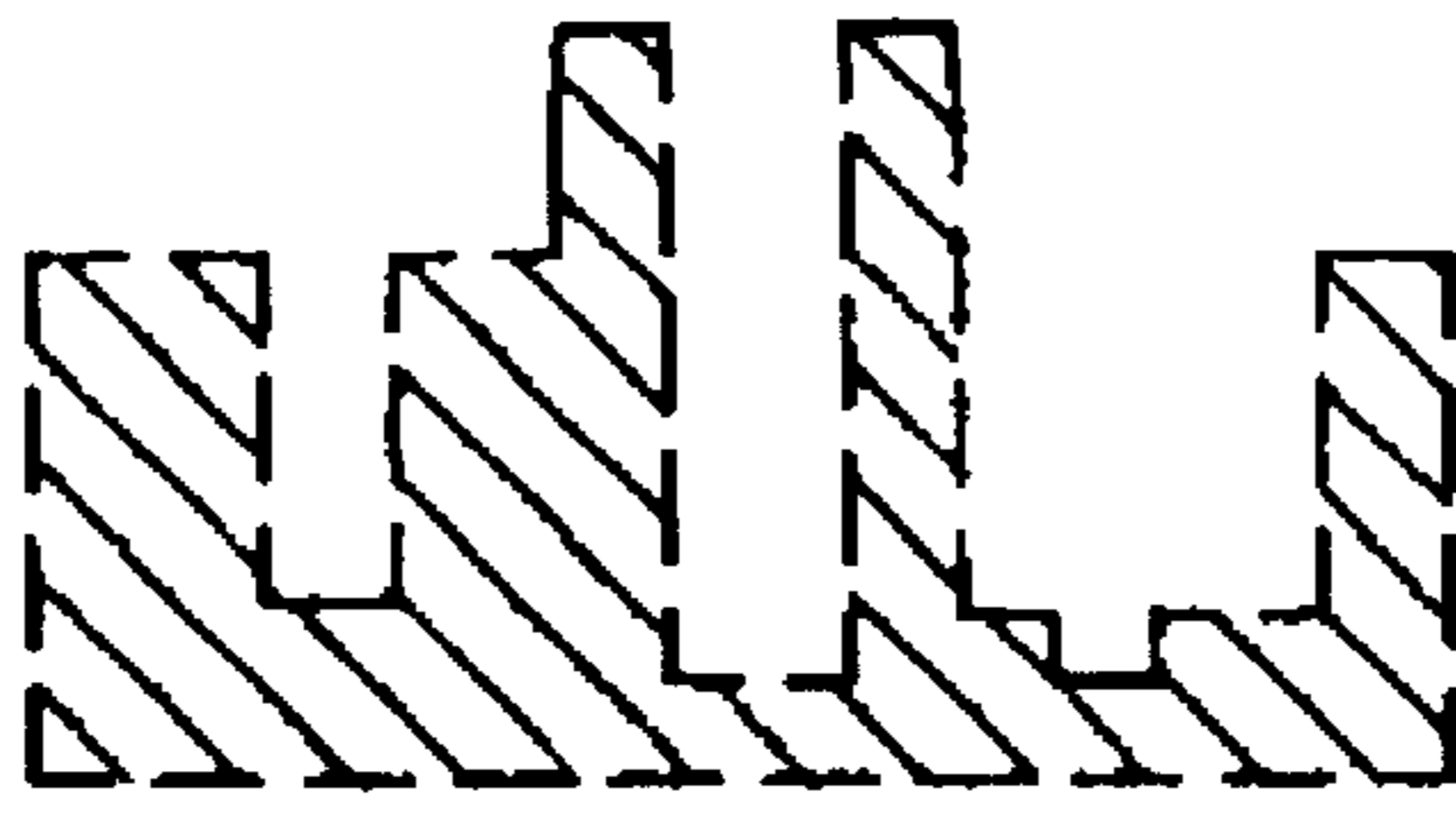


FIGURE 8

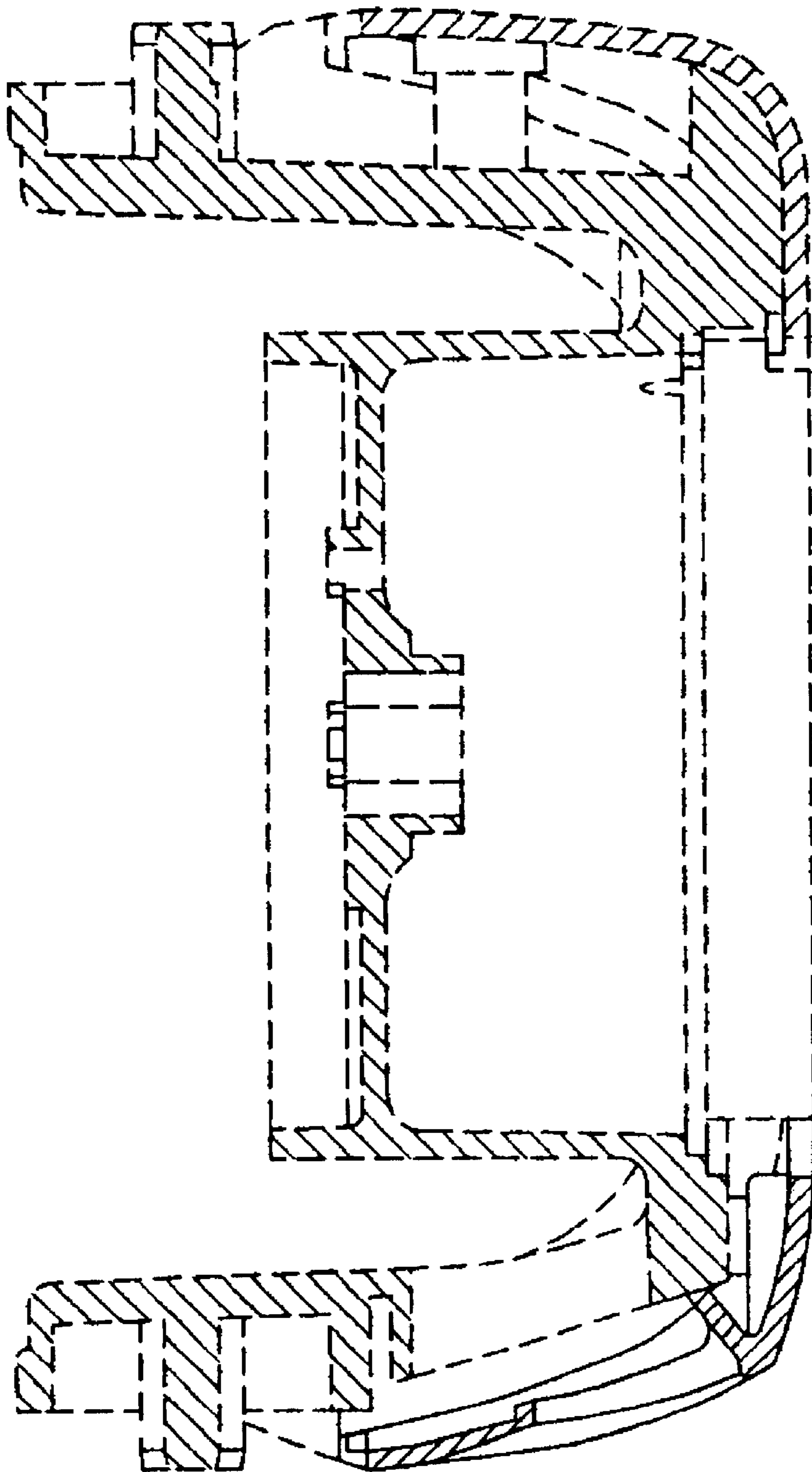


FIGURE 9

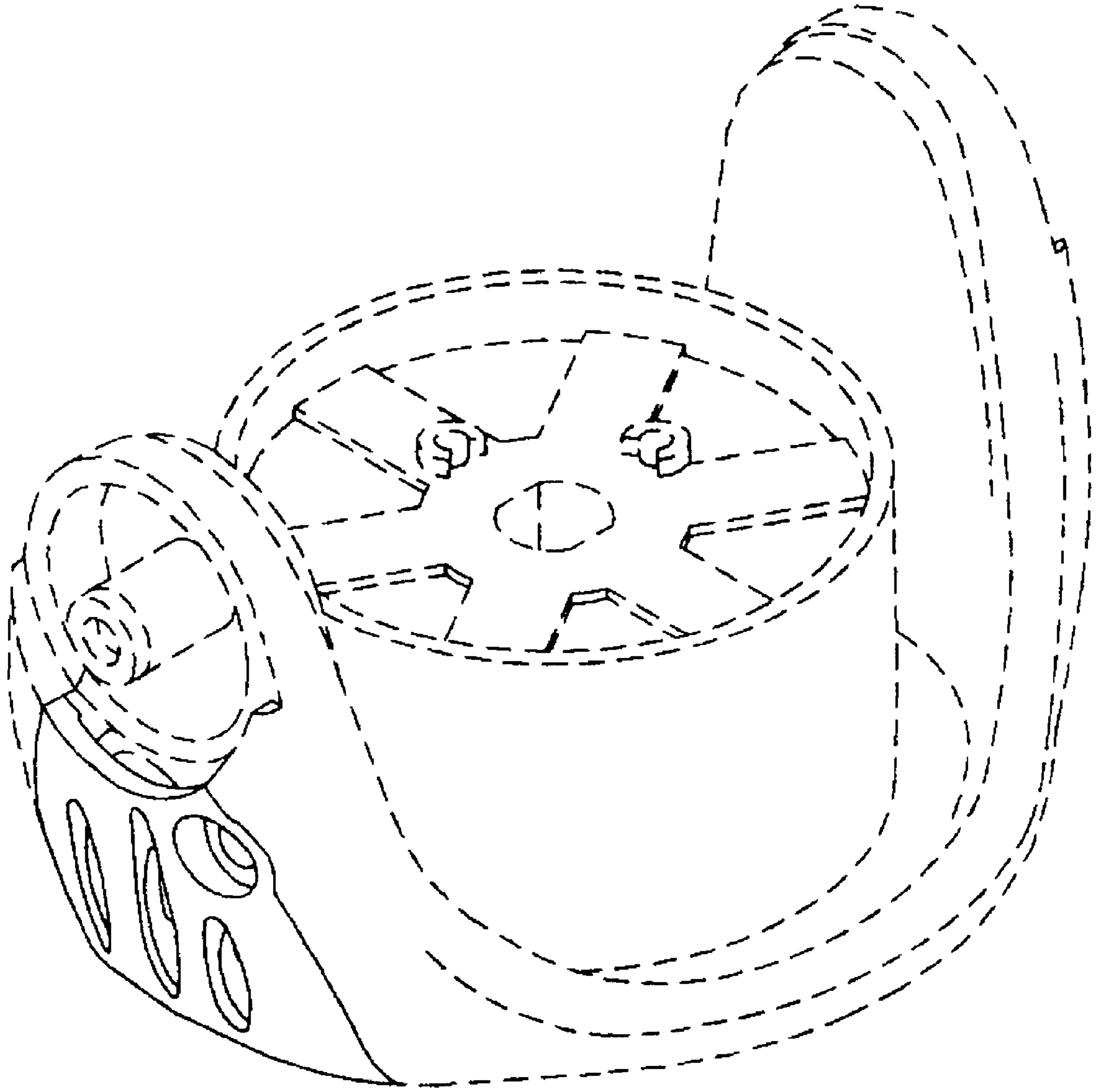


FIGURE 10